

ASSEMBLY INSTRUCTIONS

Quadro Square Boardroom Frame

www.jasonl.com.au

Need help!

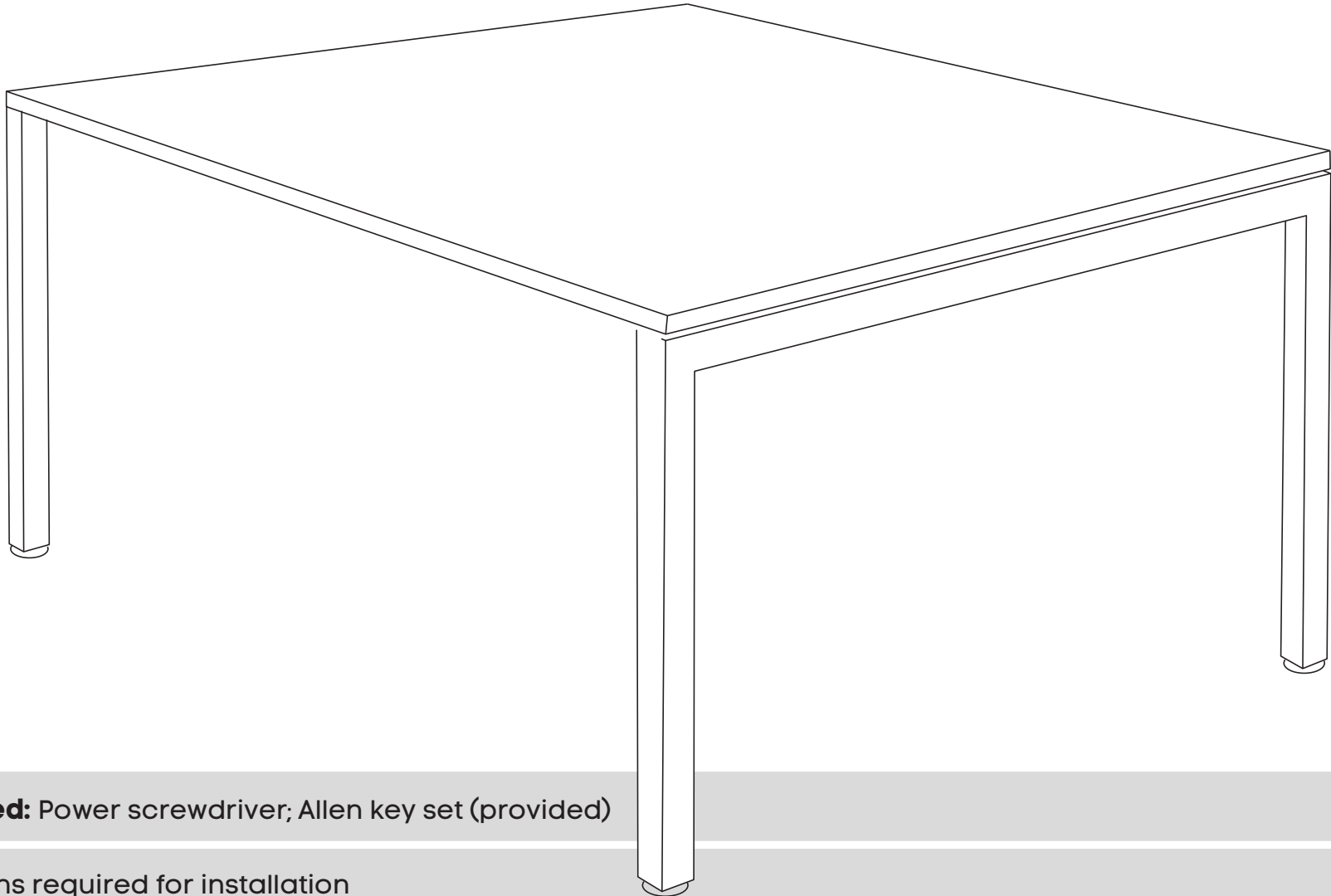
Call us on
1300 527 665

jason.l
your office furniture mate




Size:

1200 x 1200



Tools Required: Power screwdriver; Allen key set (provided)

 2 persons required for installation

ASSEMBLY INSTRUCTIONS

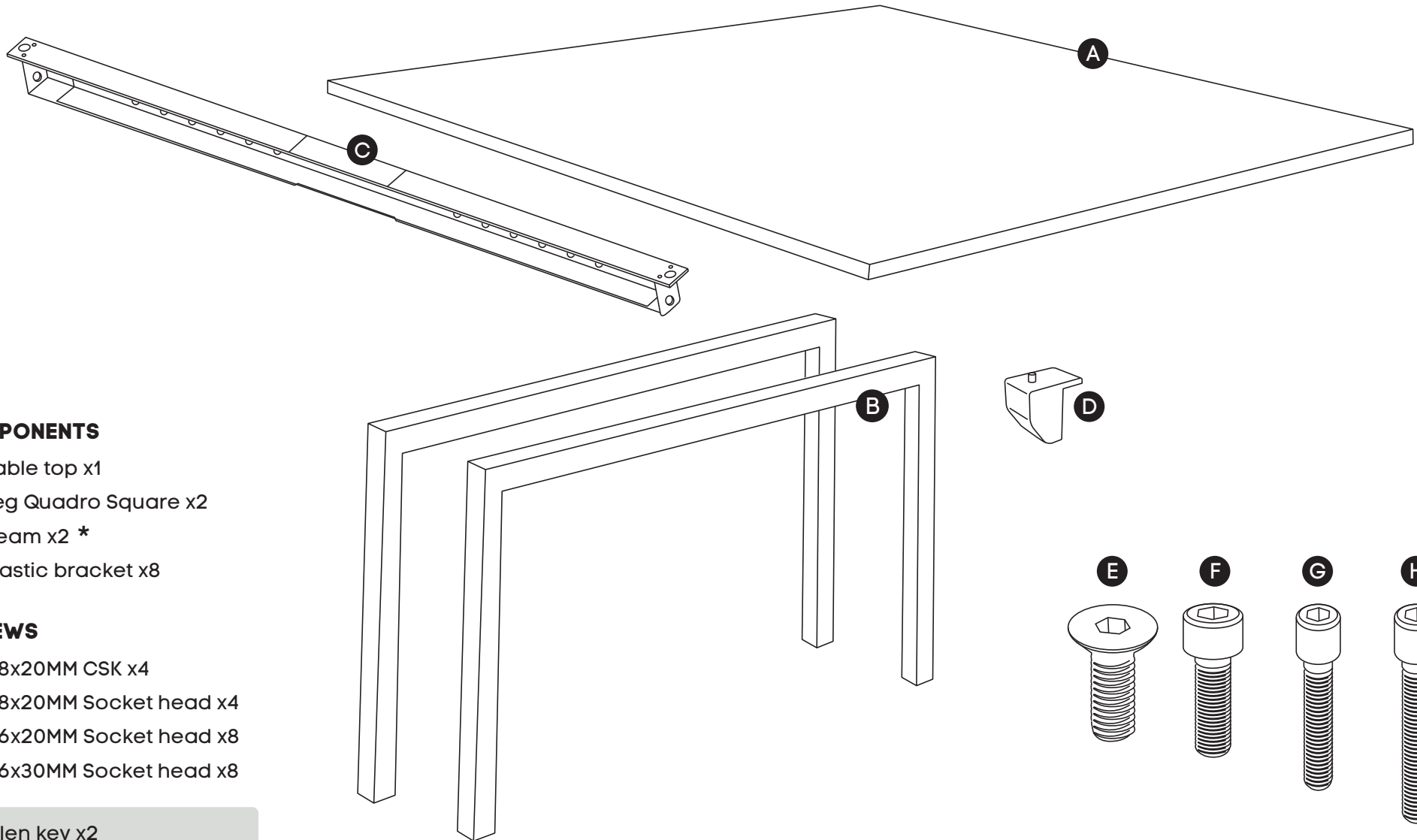
Quadro Square Boardroom Frame

www.jasonl.com.au

Need help!

Call us on
1300 527 665

jason.l
your office furniture mate



COMPONENTS

- A Table top x1
- B Leg Quadro Square x2
- C Beam x2 *
- D Plastic bracket x8

SCREWS

- E M8x20MM CSK x4
- F M8x20MM Socket head x4
- G M6x20MM Socket head x8
- H M6x30MM Socket head x8

- I Allen key x2

* Colour of the beam is always black, regardless desk frame colour.

ASSEMBLY INSTRUCTIONS

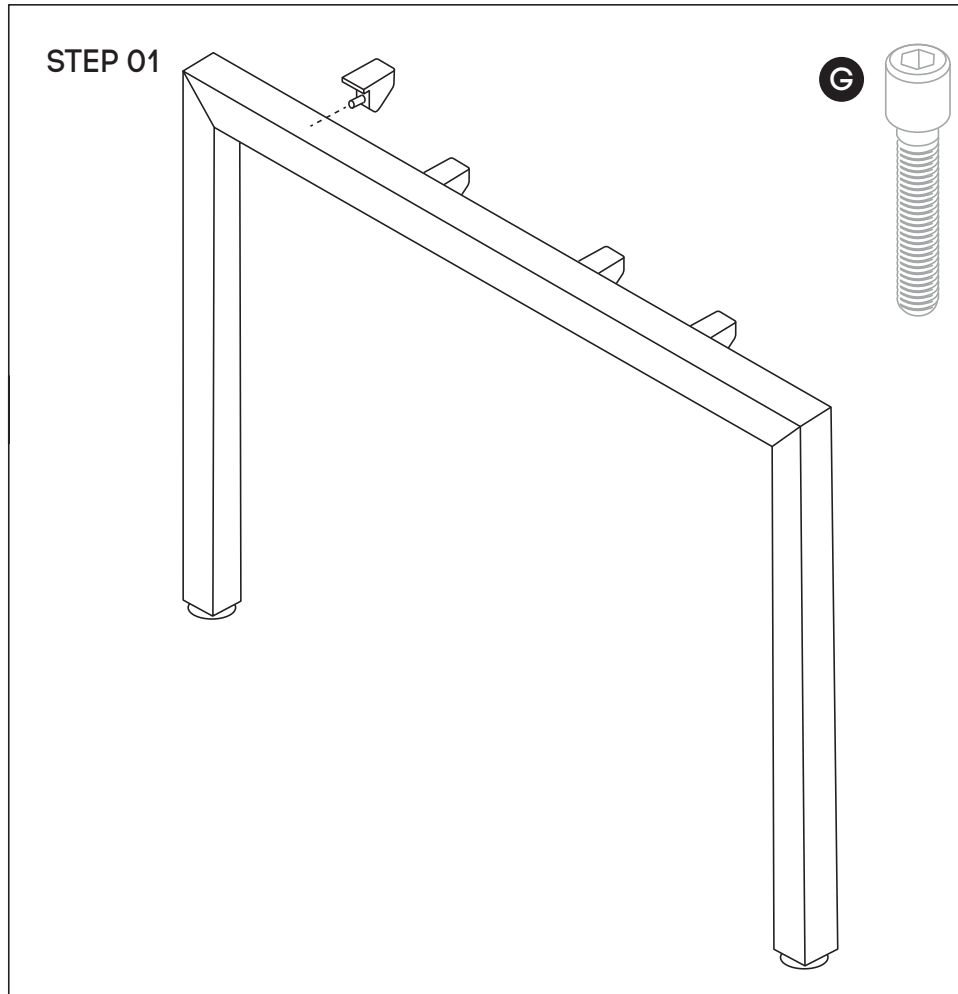
Quadro Square Boardroom Frame

www.jasonl.com.au

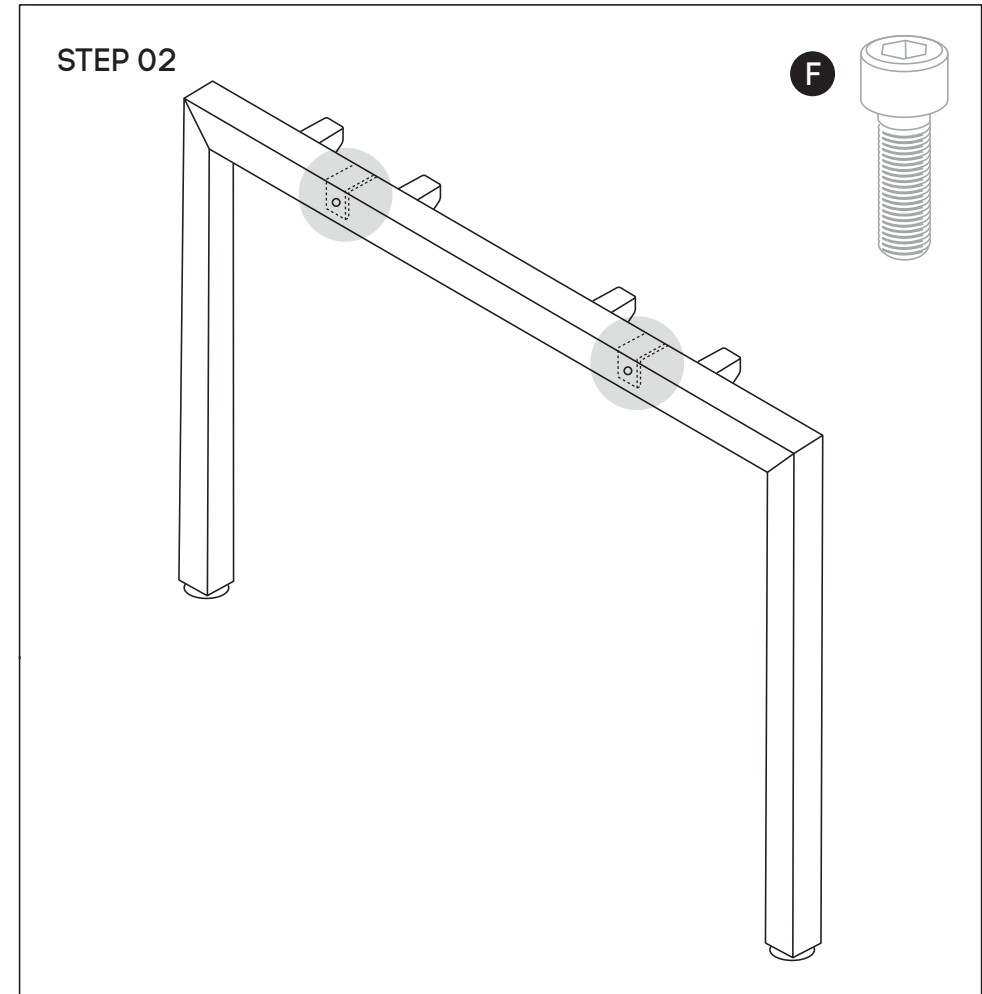
Need help!

Call us on
1300 527 665

jason.l
your office furniture mate



Using Allen Key provided, attach 4 plastic brackets per leg **(D)** (as per picture above) using M6x20MM **(G)** Socket head screw.



Using Allen Key provided, attach M8x20MM Socket head **(F)**-screw socket half way into leg for both legs **(B)**.

ASSEMBLY INSTRUCTIONS

Quadro Square Boardroom Frame

www.jasonl.com.au

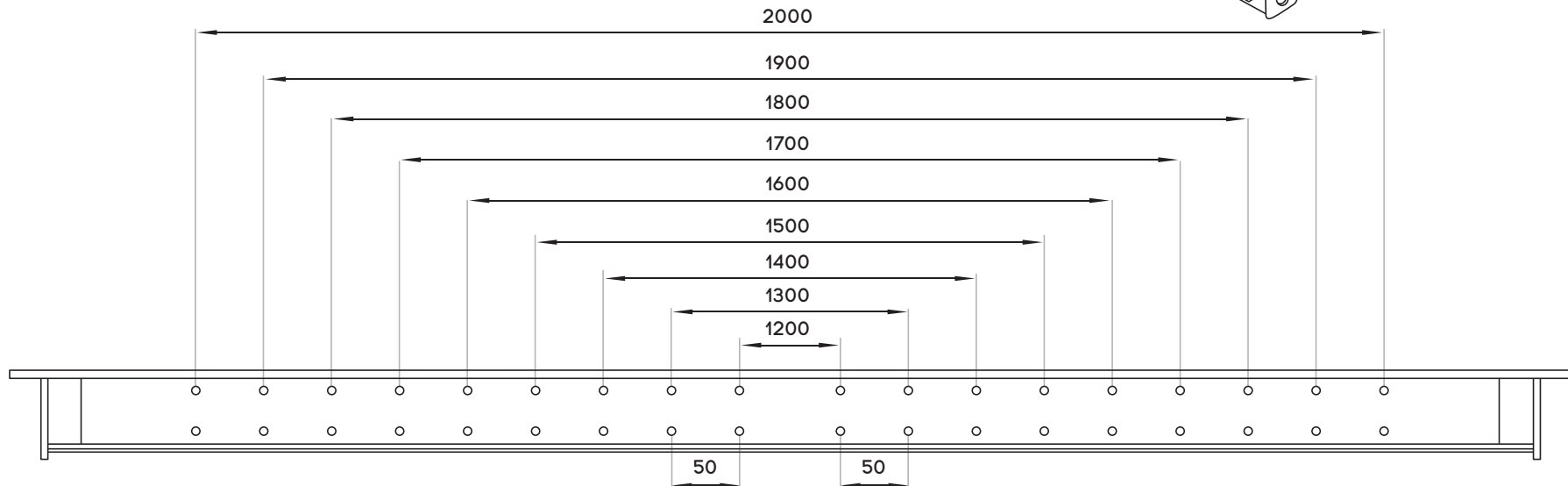
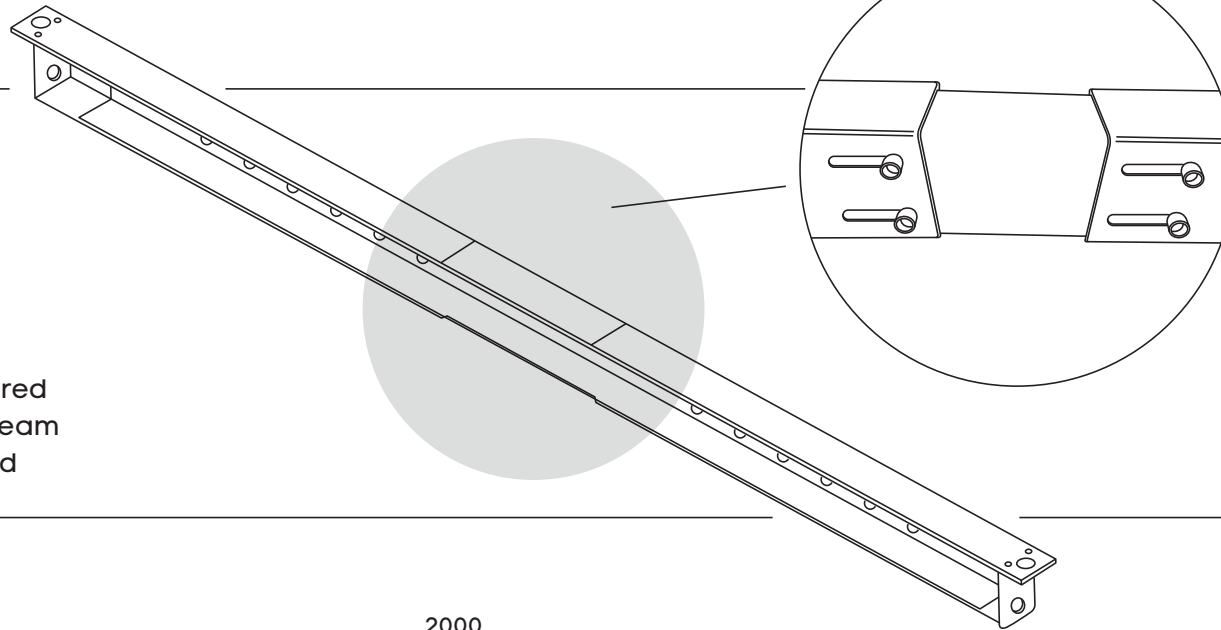
Need help!
Call us on
1300 527 665

jason.l
your office furniture mate



STEP 03

Adjust extendable beam (C) to desired length using markers and secure beam at that length using screws provided



ASSEMBLY INSTRUCTIONS

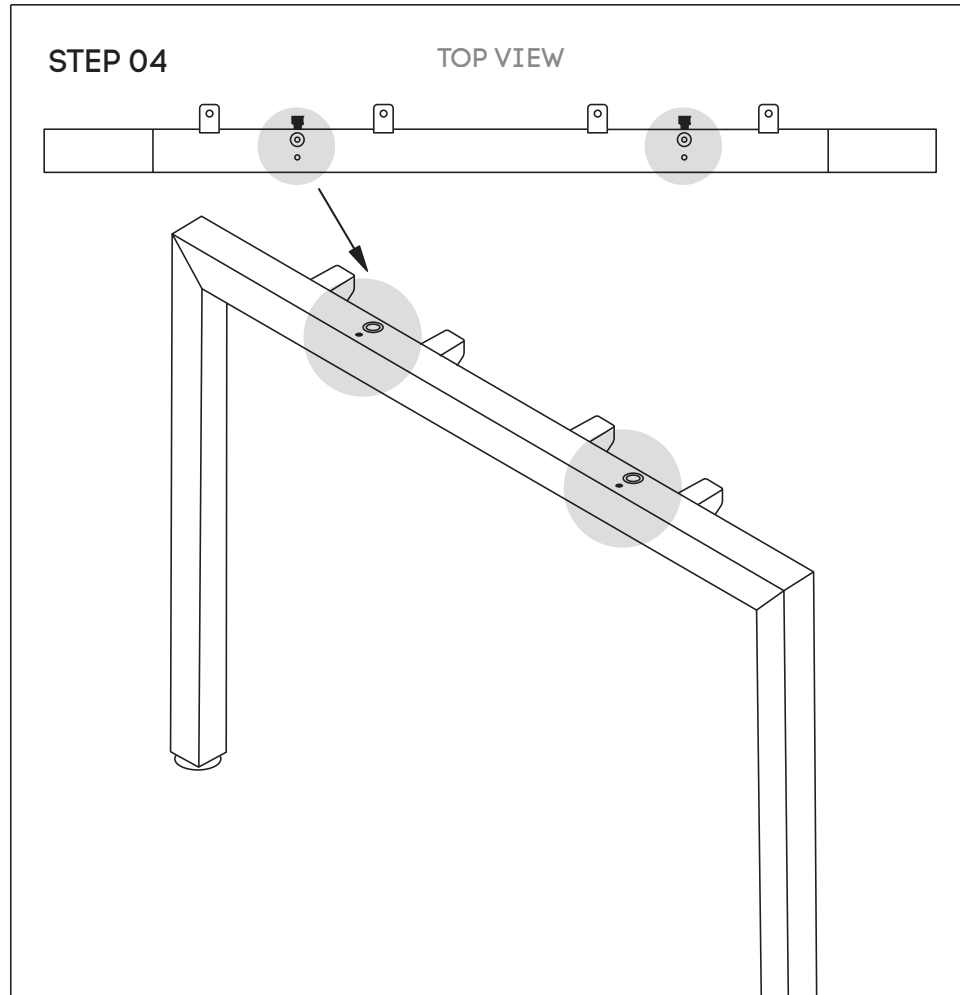
Quadro Square Boardroom Frame

www.jasonl.com.au

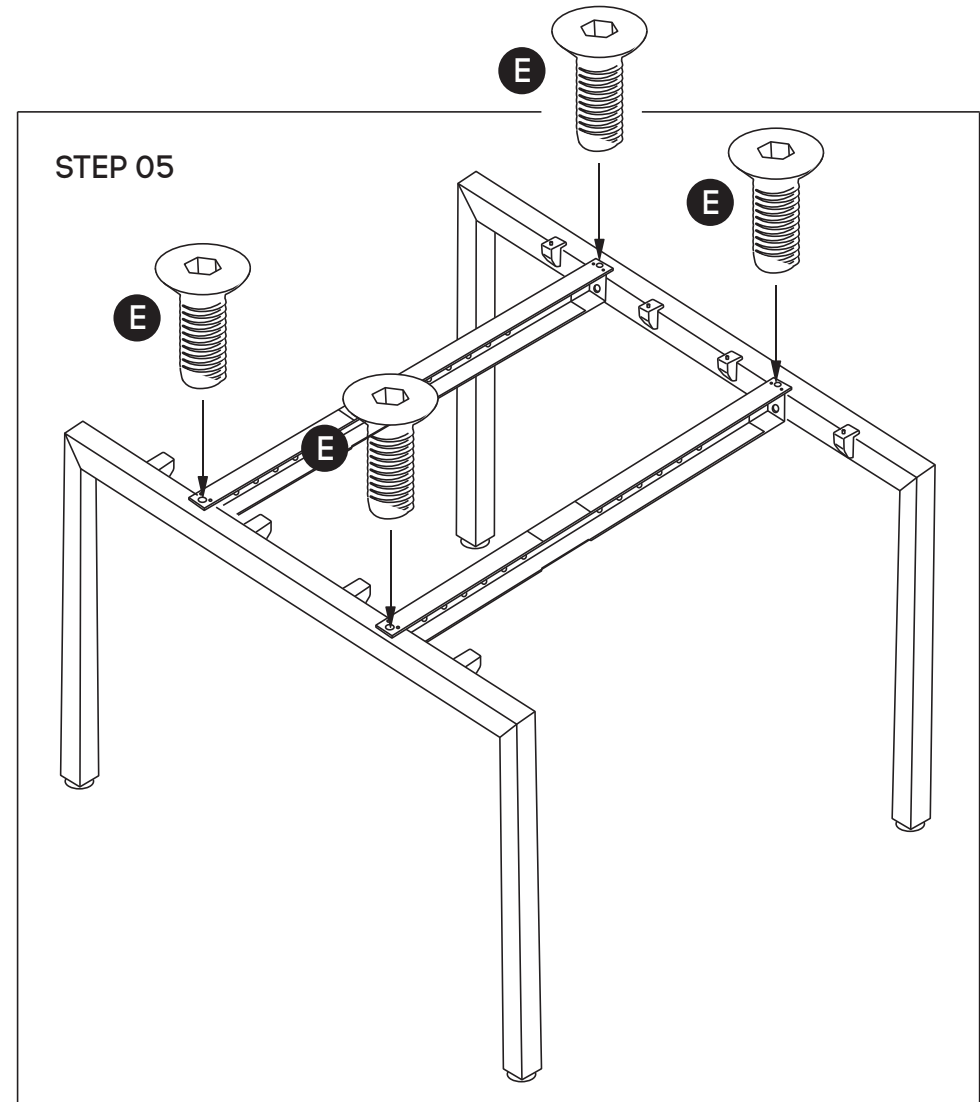
Need help!

Call us on
1300 527 665

jason.l
your office furniture mate



Attach beam **(C)** to legs **(B)** using nut insert in legs.
See point attached



Frame looks like this. Using Allen Key, attach beam **(C)** with Socket **(E)**

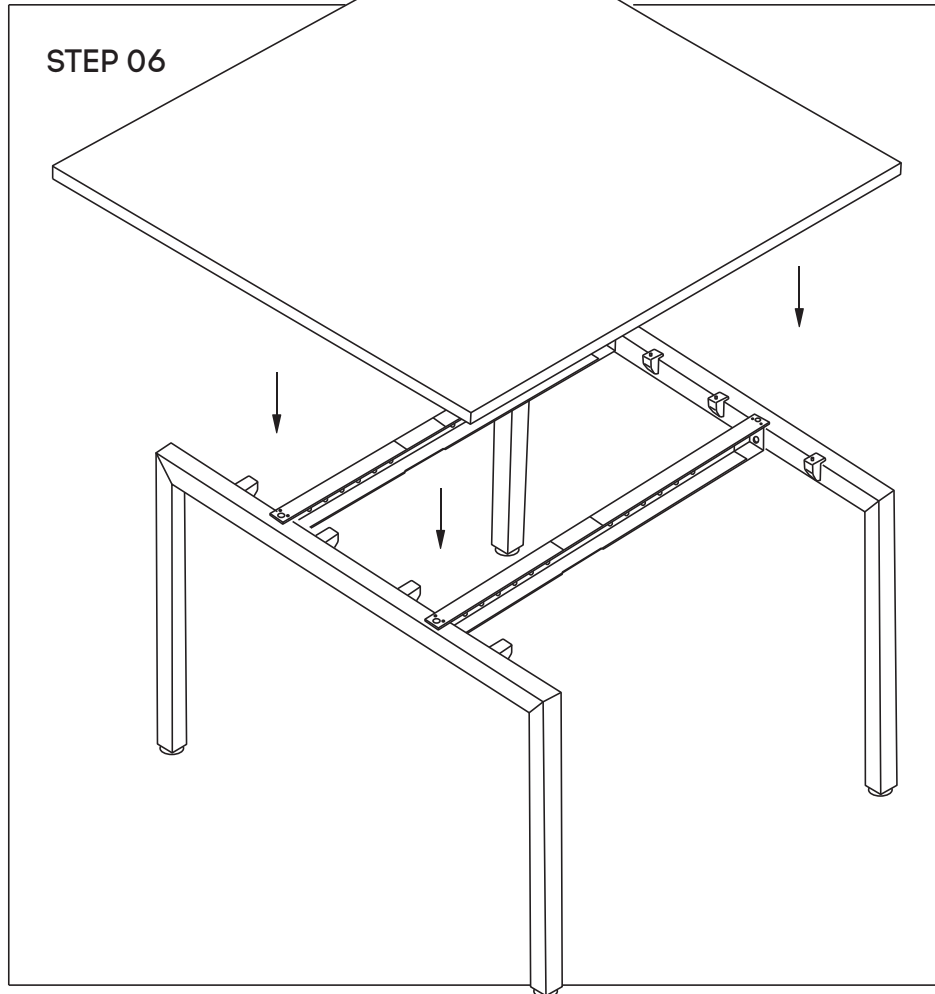
ASSEMBLY INSTRUCTIONS

Quadro Square Boardroom Frame

www.jasonl.com.au

Need help!
Call us on
1300 527 665

jason.l
your office furniture mate



Place desktop on top of frame. Wood Screws to be drilled into the underneath Top.