

ASSEMBLY INSTRUCTIONS
Quadro Square
Counter table
Radius Corners

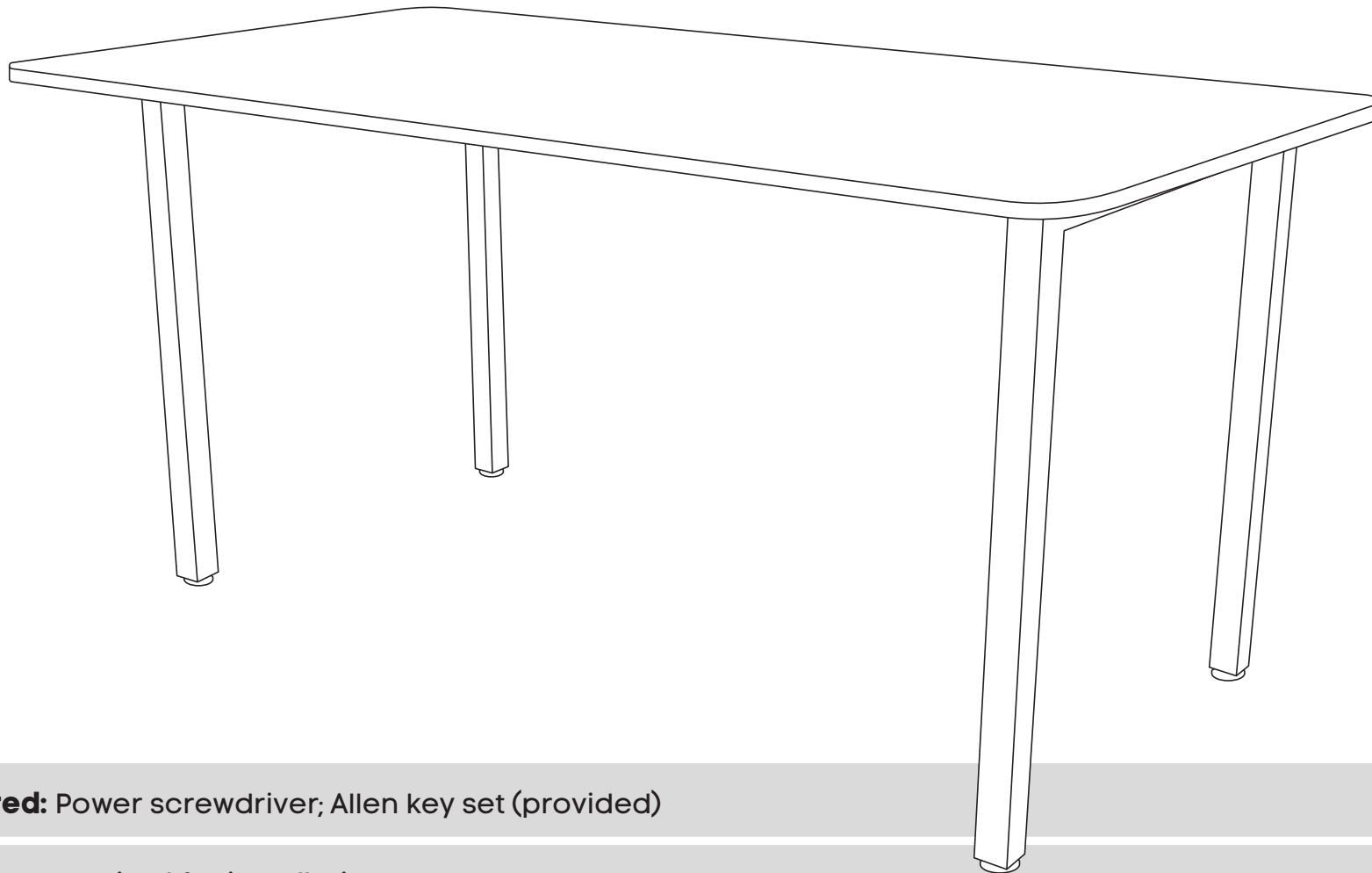
www.jasonl.com.au

Need help!
Call us on
1300 527 665


jason.l
your office furniture mate



Sizes: 1800x1100 mm



Tools Required: Power screwdriver; Allen key set (provided)

 2 persons required for installation

ASSEMBLY INSTRUCTIONS

Quadro Square Counter table Radius Corners

www.jasonl.com.au

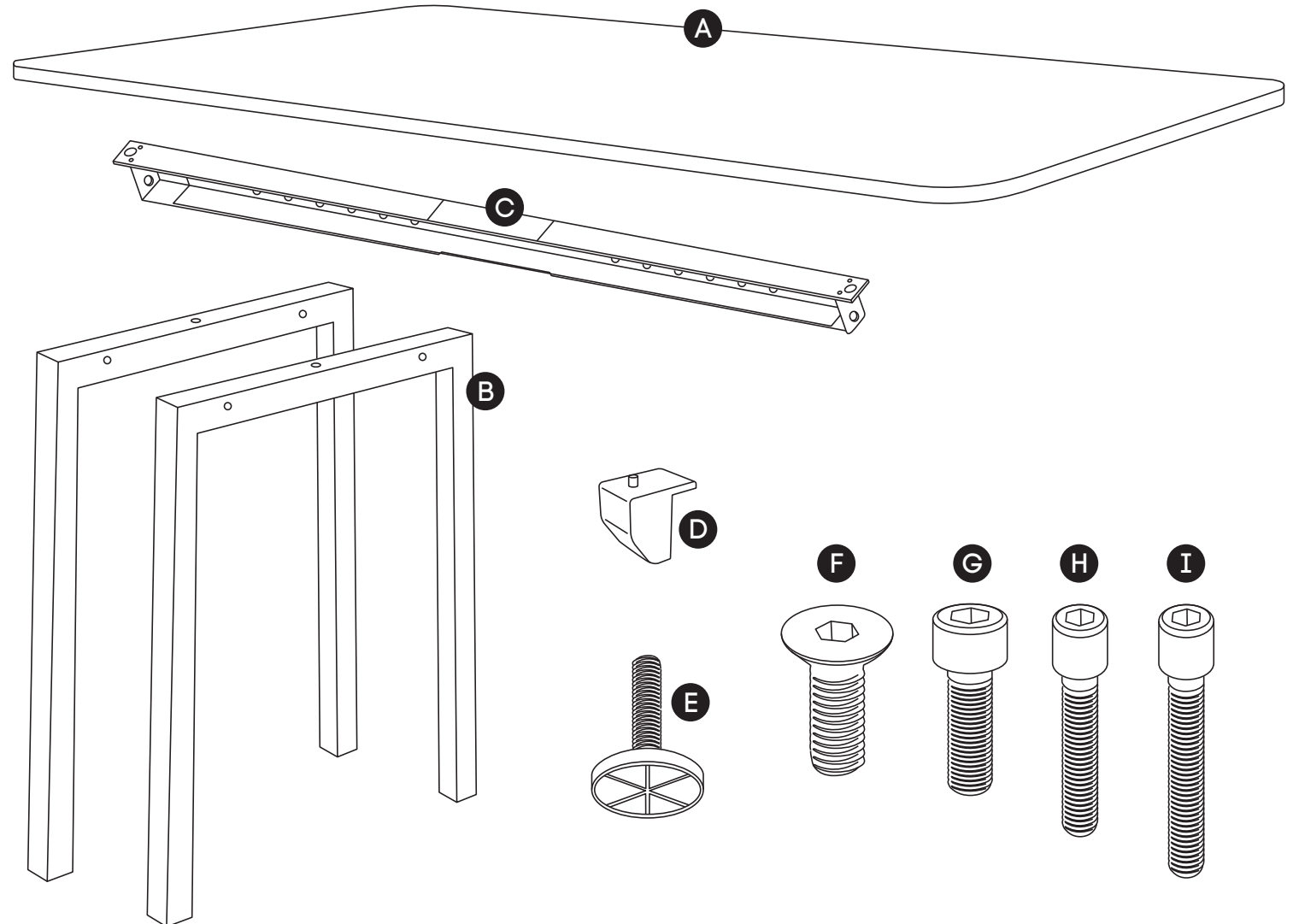
Need help!

Call us on
1300 527 665

jason.l
your office furniture mate



Sizes: 1800x1100 mm



COMPONENTS

- A Table top x1
- B Legs Quadro Square x2
- C Beam x1 *
- D Plastic bracket x4
- E Feet x4

SCREWS

- F M8x20MM CSK x2
- G M8x20MM Socket head x2
- H M6x20MM Socket head x4
- I M6x30MM Socket head x4

- J Allen key x2

* Colour of the beam is always black, regardless desk frame colour.

ASSEMBLY INSTRUCTIONS

Quadro Square Counter table Radius Corners

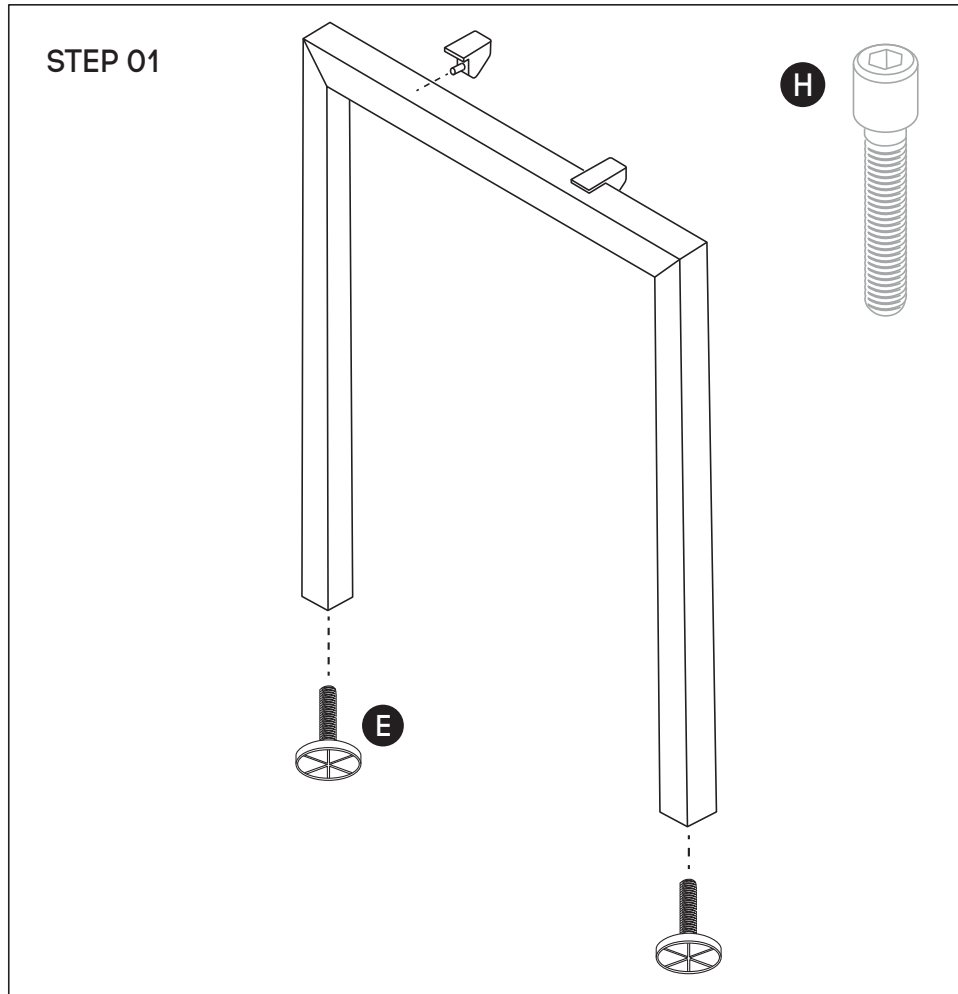
www.jasonl.com.au

Need help!
Call us on
1300 527 665

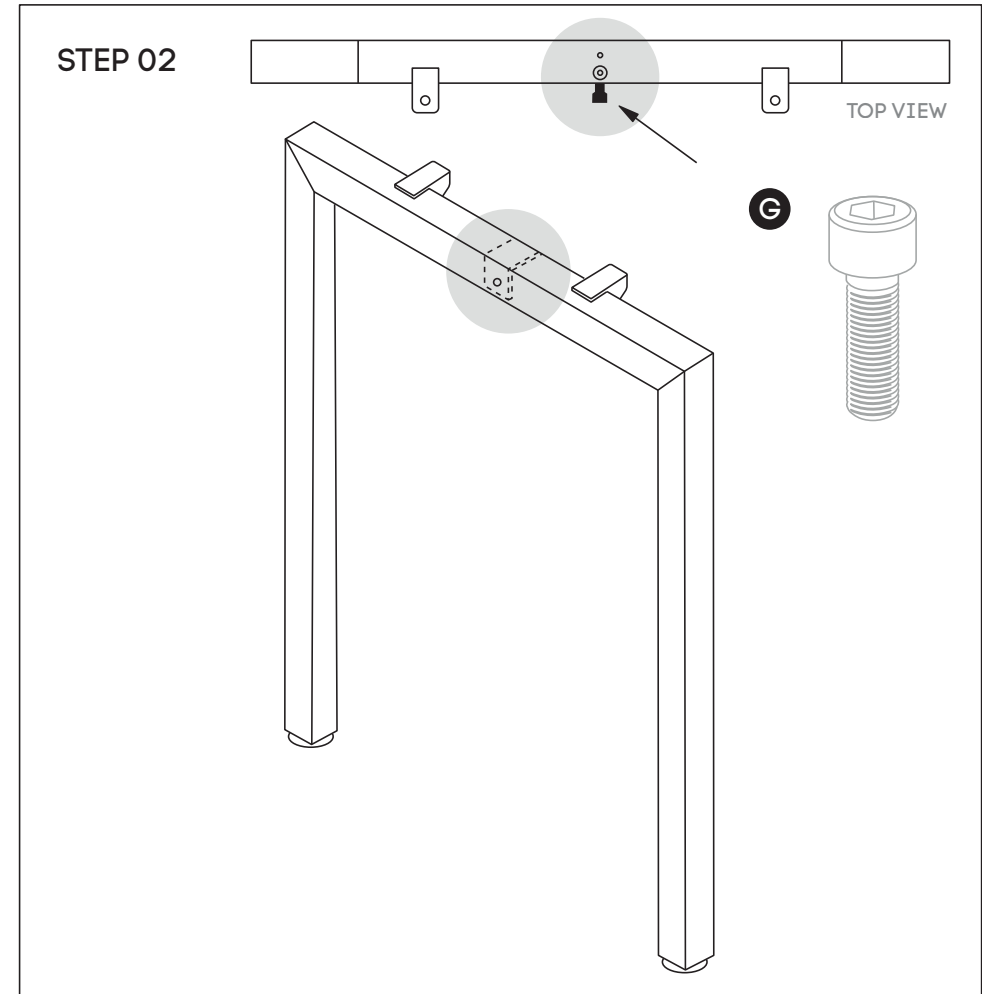
jason.l
your office furniture mate



Sizes: 1800x1100 mm



Using Allen Key provided, attach 2 plastic brackets per leg **(D)** (as per picture above) using M6x20MM **(H)** Socket head screw. Screw the feet **(E)** to the bottom of each leg **(B)**



Using Allen Key provided, attach M8x20MM Socket head **(G)**-screw socket half way into leg for both legs **(B)**

ASSEMBLY INSTRUCTIONS

Quadro Square Counter table

Radius Corners

www.jasonl.com.au

Need help!
Call us on
1300 527 665

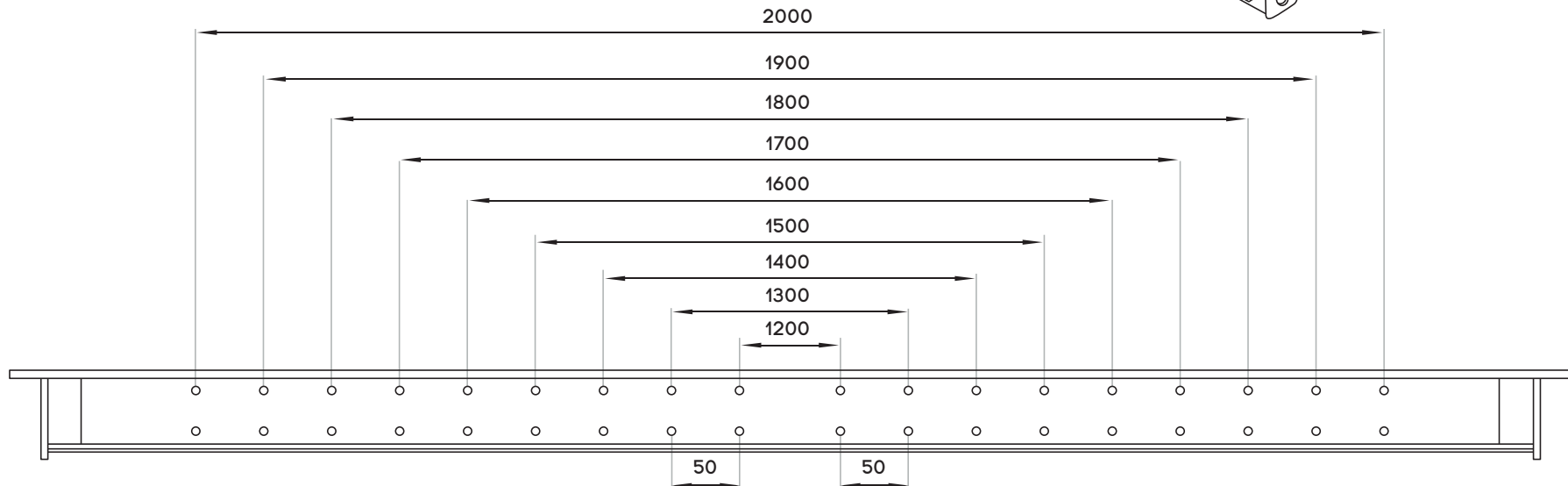
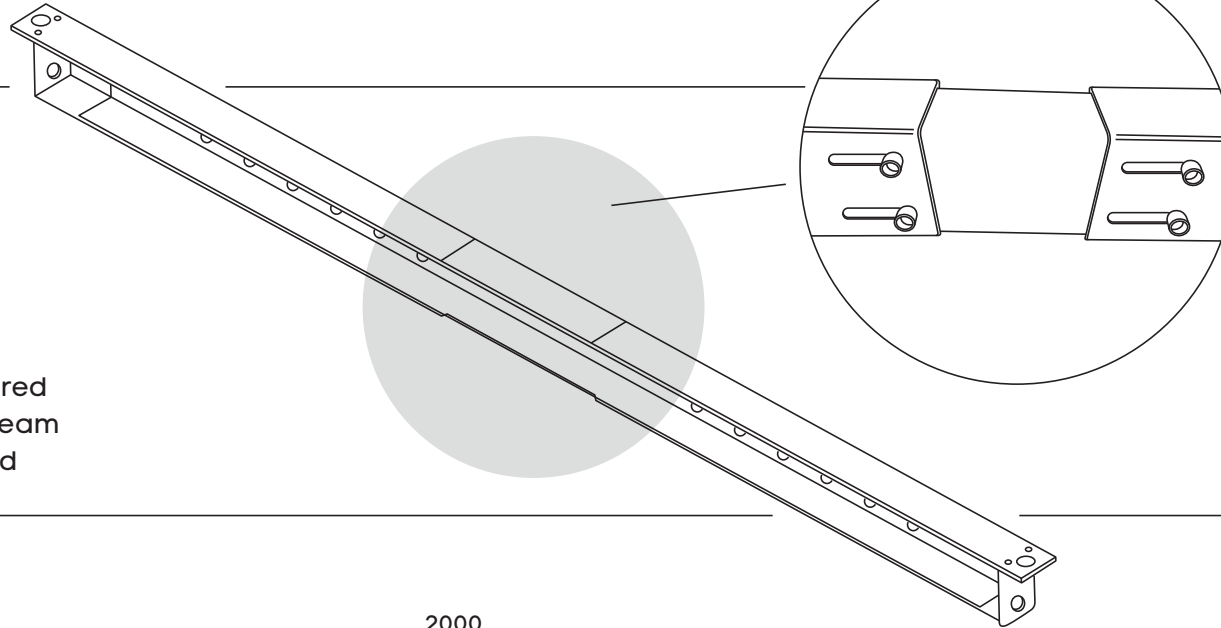
jason.l
your office furniture mate



Sizes: 1800x1100 mm

STEP 03

Adjust extendable beam (C) to desired length using markers and secure beam at that length using screws provided



ASSEMBLY INSTRUCTIONS

Quadro Square Counter table Radius Corners

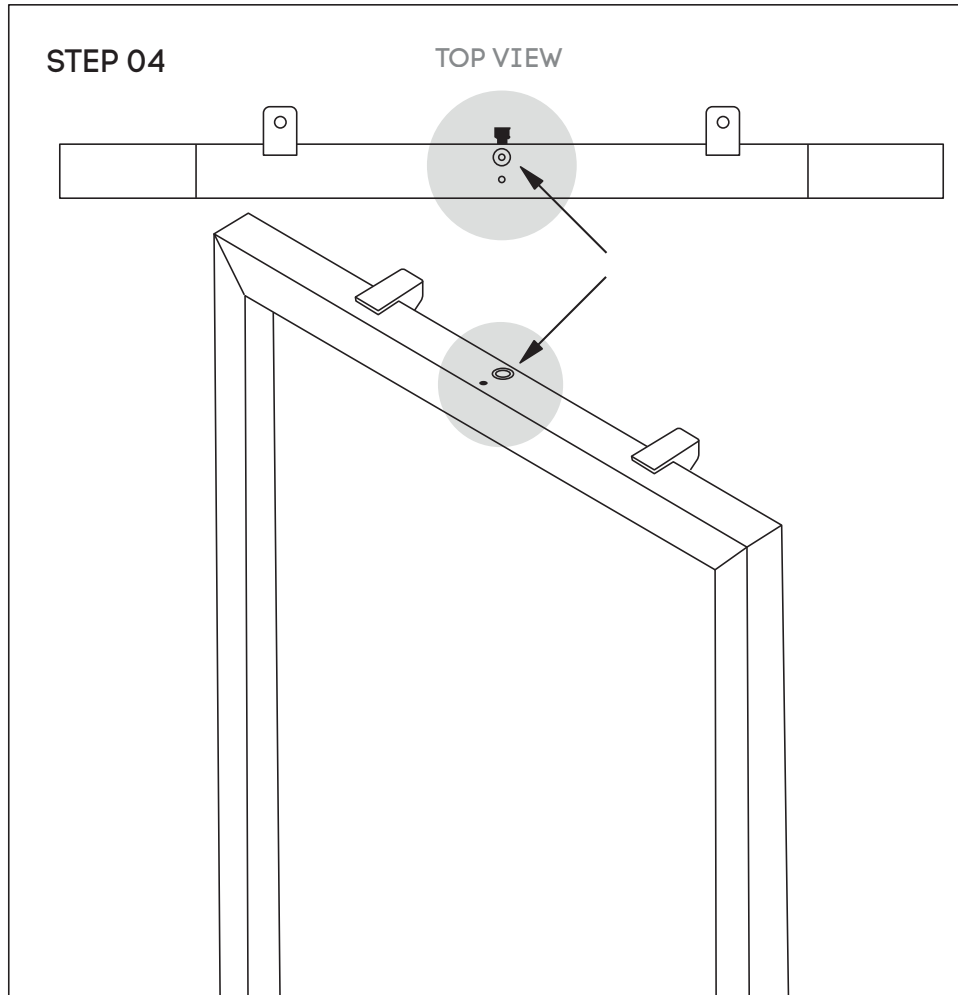
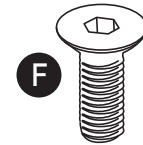
www.jasonl.com.au

Need help!
Call us on
1300 527 665

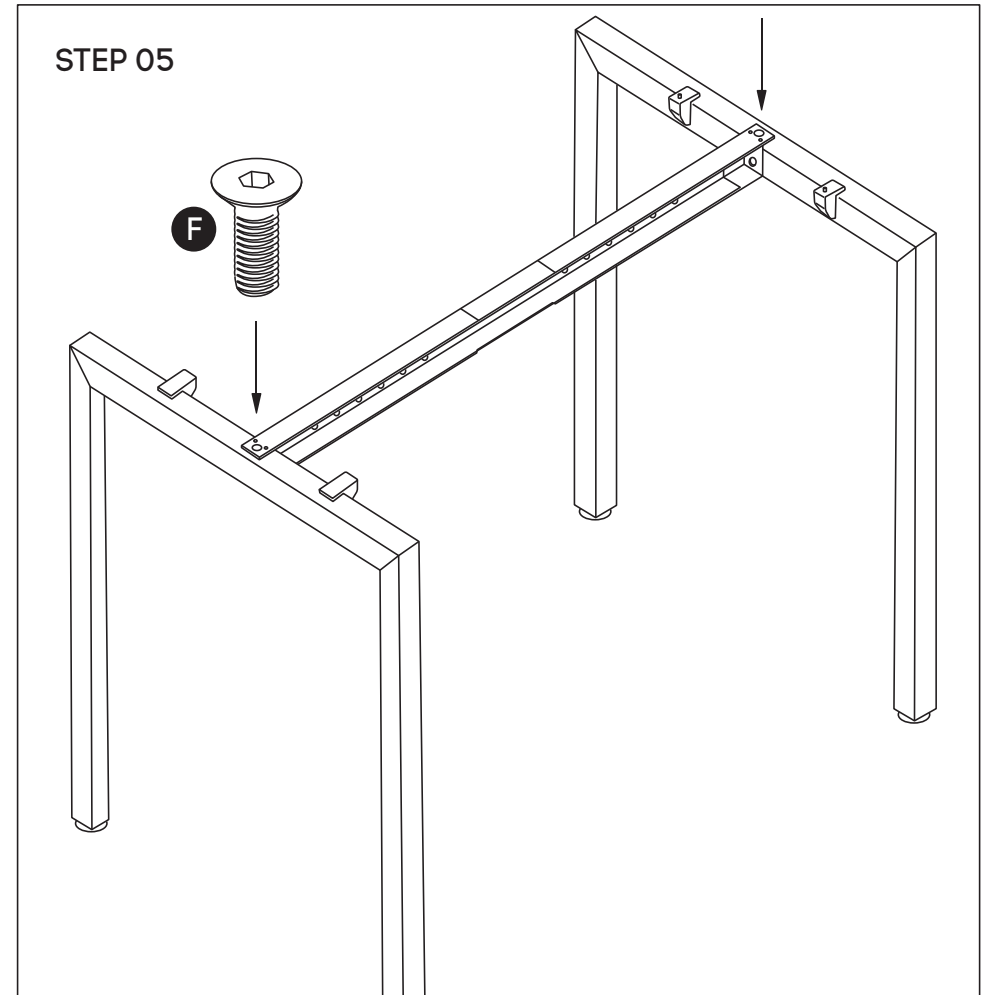
jason.l
your office furniture mate



Sizes: 1800x1100 mm



Attach beam **(C)** to legs **(B)** using nut insert in legs.
See point attached



Frame looks like this. Using Allen Key, attach beam **(C)** with Socket **(F)**

ASSEMBLY INSTRUCTIONS

Quadro Square Counter table Radius Corners

www.jasonl.com.au

Need help!
Call us on
1300 527 665

jason.l
your office furniture mate



Sizes: 1800x1100 mm

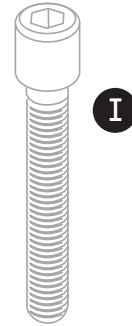
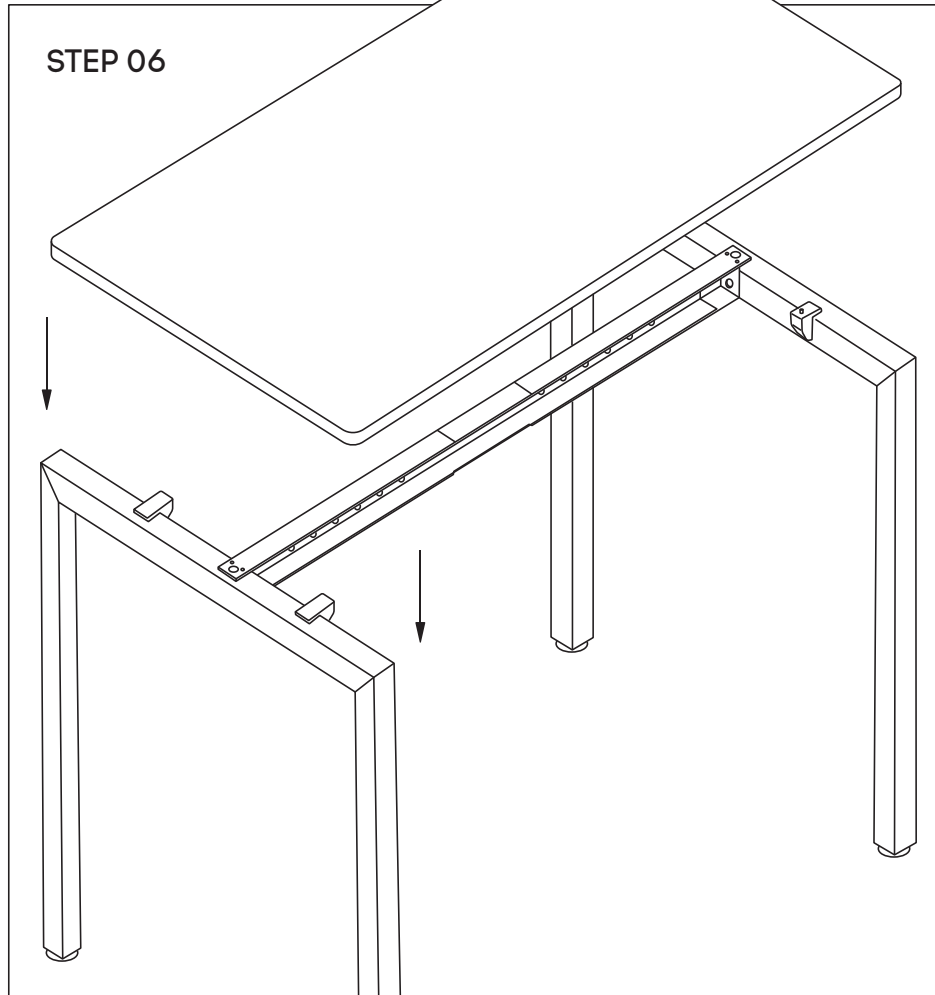
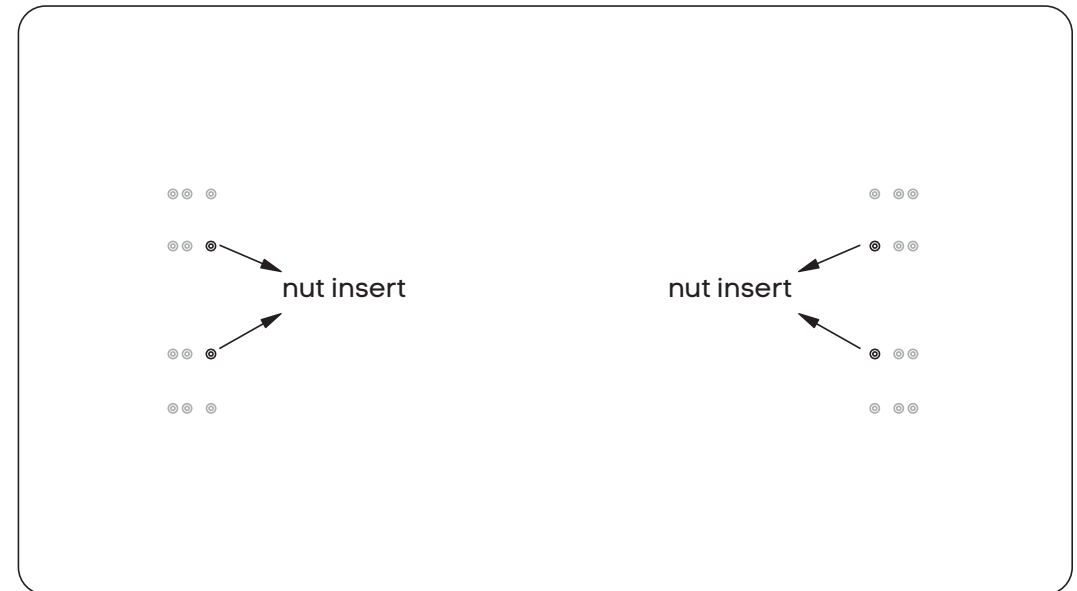


TABLE TOP
BOTTOM VIEW



Place desktop on top of frame. Nut inserts in top will align with plastic joiner brackets using M6x30MM (I) sockets attach top to frame.