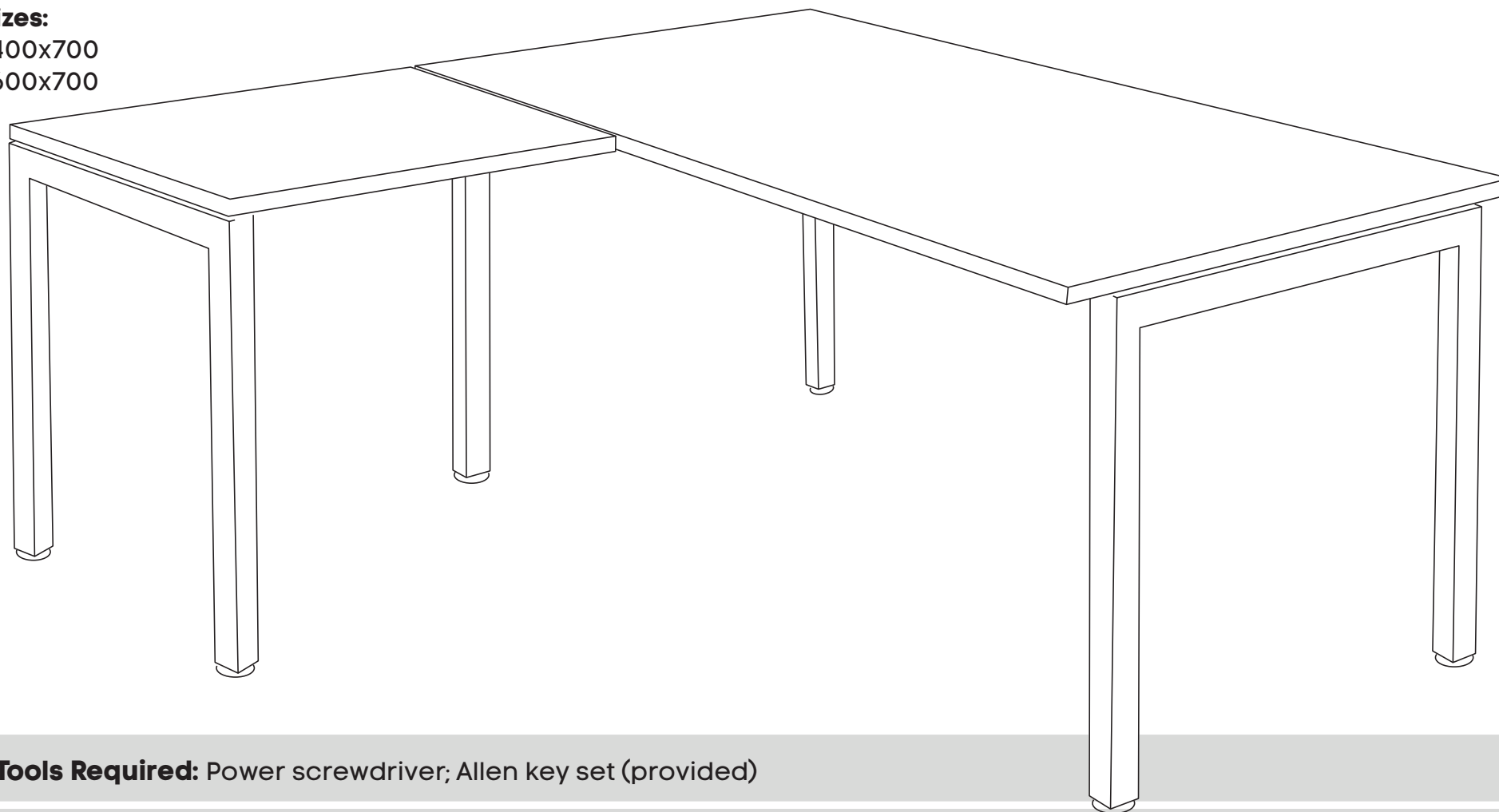


Quadro Square L-Shaped Desk


Sizes:

1400x700

1600x700



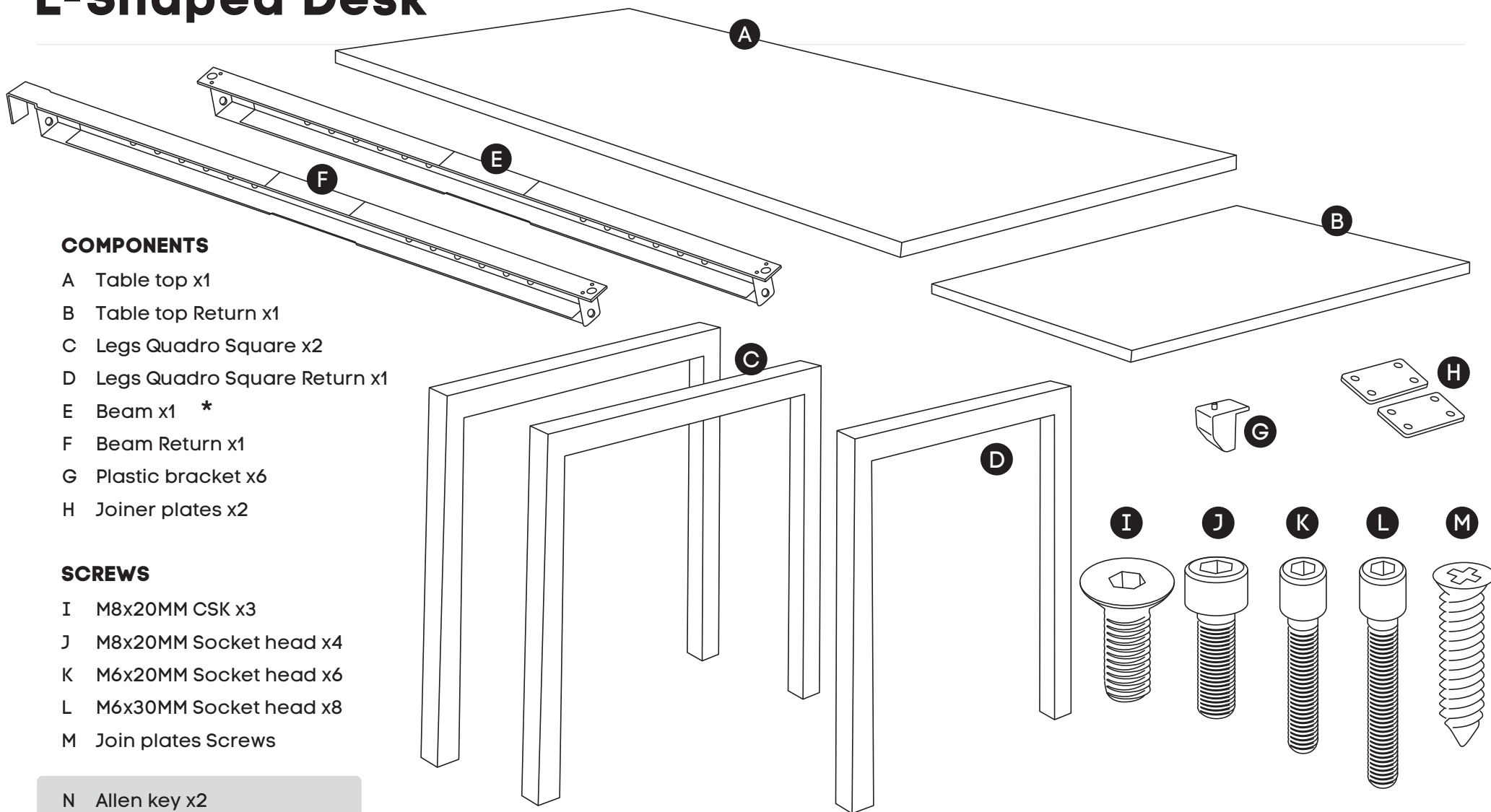
Tools Required: Power screwdriver; Allen key set (provided)

 2 persons required for installation

Need help!

Call us on **1300 527 665**

Quadro Square L-Shaped Desk



COMPONENTS

- A Table top x1
- B Table top Return x1
- C Legs Quadro Square x2
- D Legs Quadro Square Return x1
- E Beam x1 *
- F Beam Return x1
- G Plastic bracket x6
- H Joiner plates x2

SCREWS

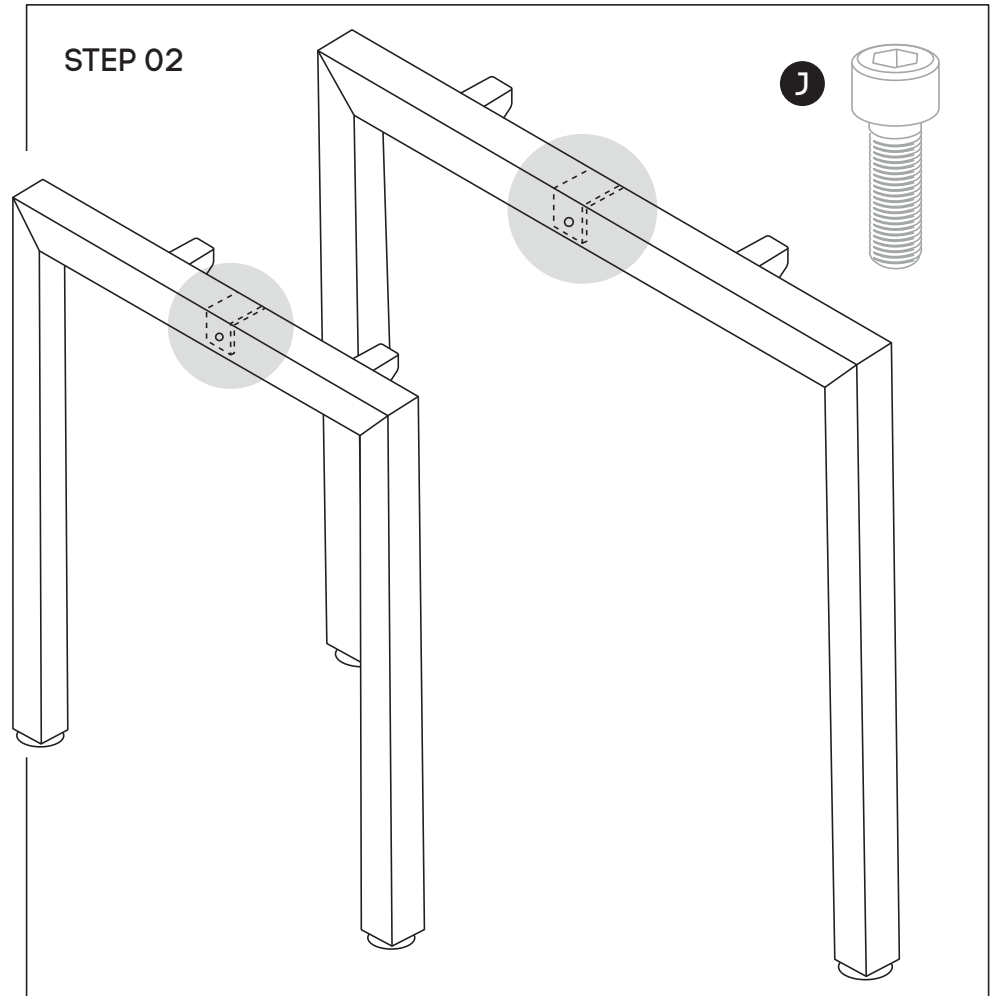
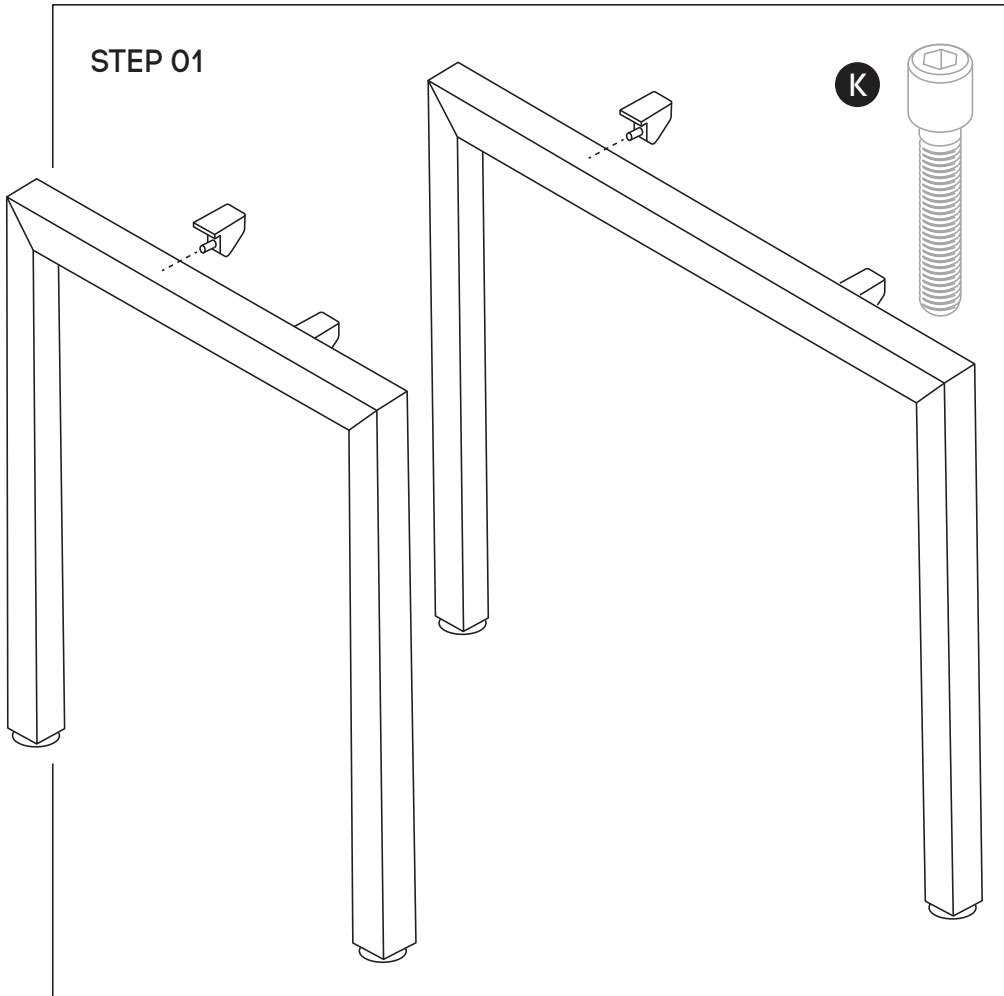
- I M8x20MM CSK x3
- J M8x20MM Socket head x4
- K M6x20MM Socket head x6
- L M6x30MM Socket head x8
- M Join plates Screws

N Allen key x2

* Colour of the beam is always black, regardless desk frame colour.

Need help! Call us on **1300 527 665**

Quadro Square L-Shaped Desk



Using Allen Key provided, attach 2 plastic brackets (G) per legs (C & D) (as per picture above) using M6x20MM (K) Socket head screw

Using Allen Key provided, attach M8x20MM Socket head (J)-screw socket half way into leg for three legs (C & D)

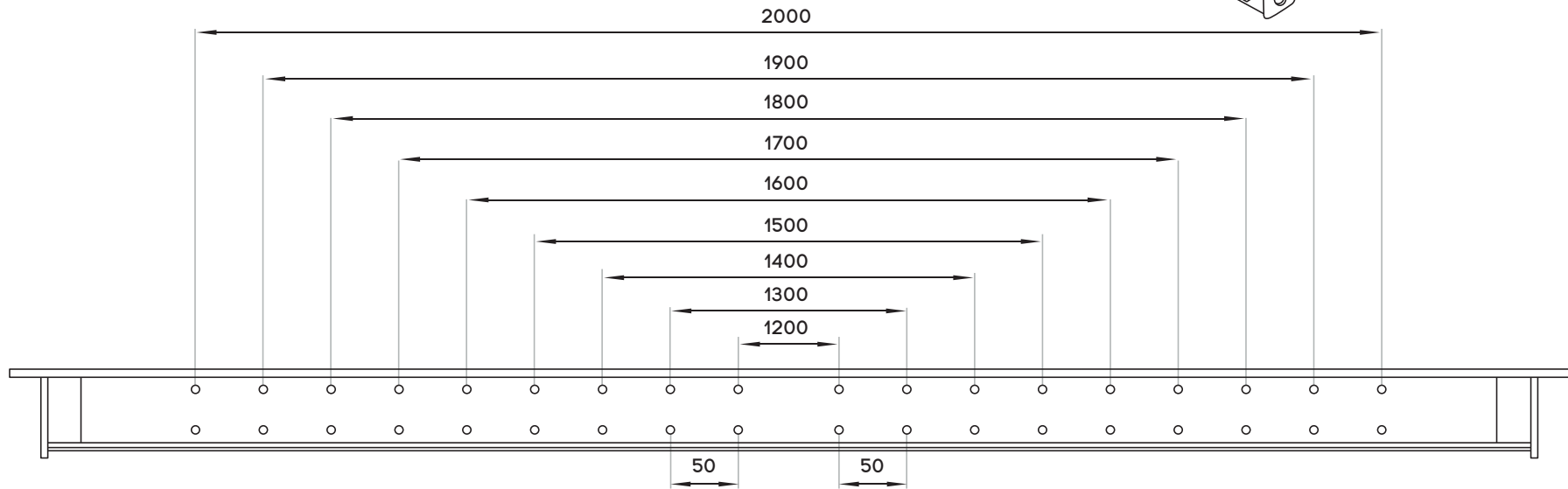
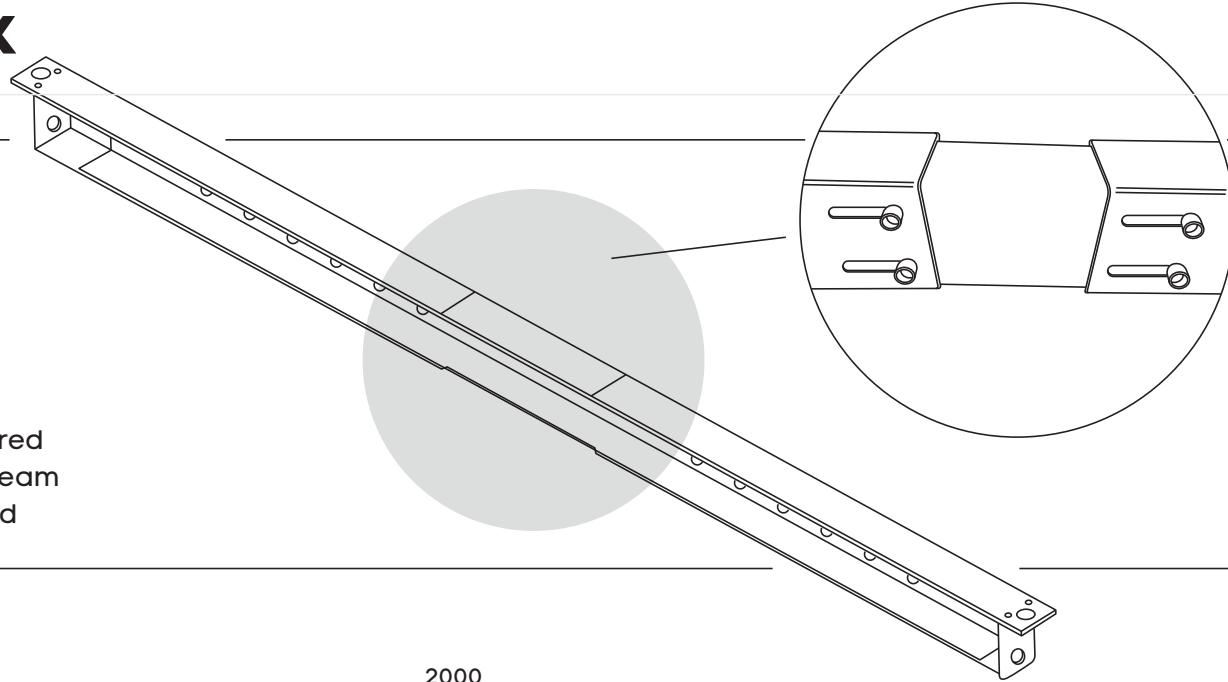
Need help!

Call us on **1300 527 665**

Quadro Square L-Shaped Desk

STEP 03

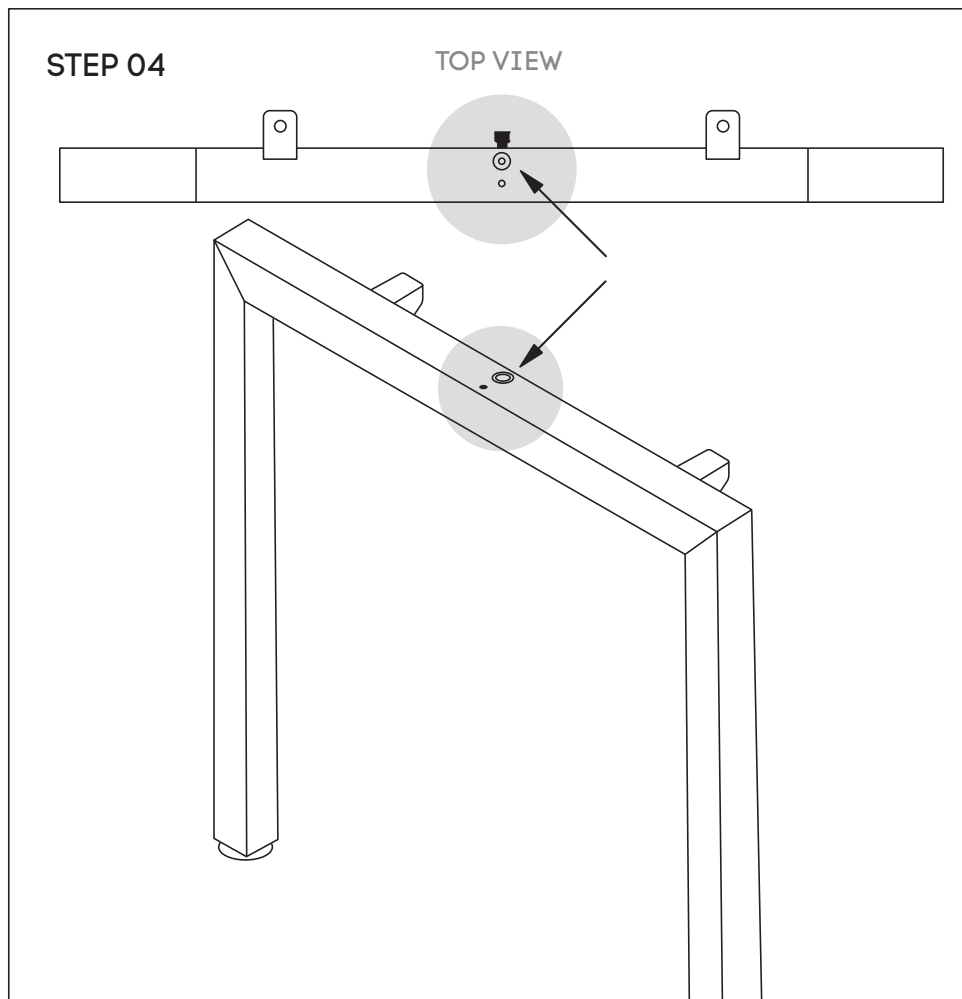
Adjust extendable beam **(E)** to desired length using markers and secure beam at that length using screws provided



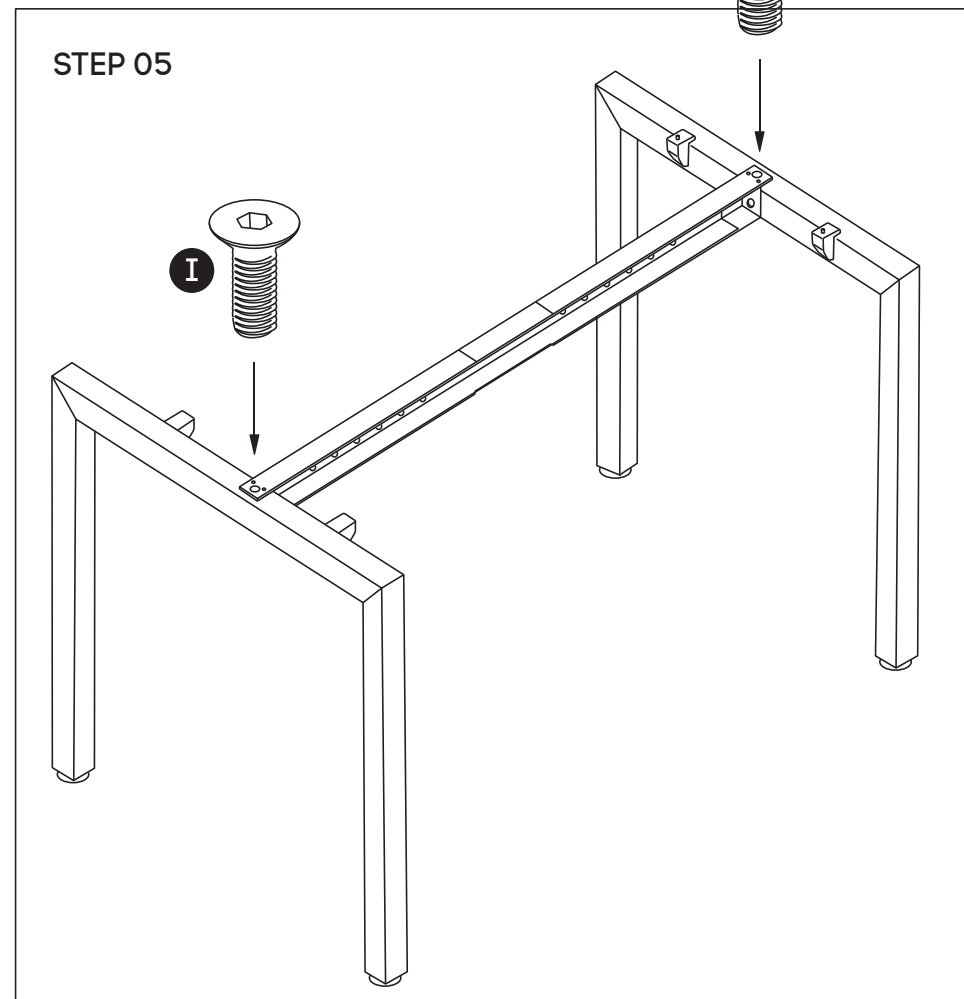
Need help!

Call us on **1300 527 665**

Quadro Square L-Shaped Desk



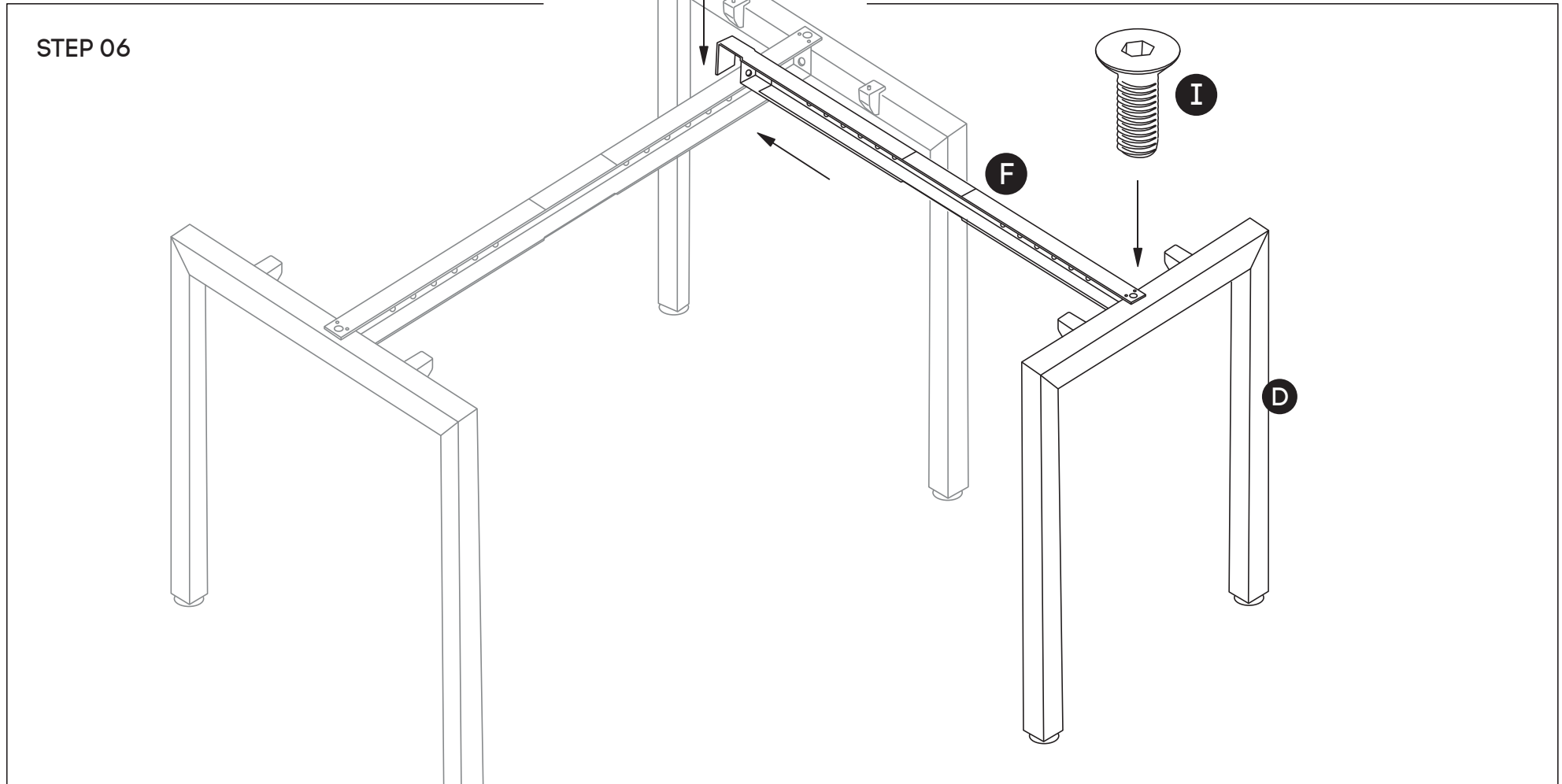
Attach beam **(E)** to legs **(C)** using nut insert in legs.
See point attached



Frame looks like this. Using Allen Key, attach beam **(E)** with Socket **(I)**

Need help! Call us on **1300 527 665**

Quadro Square L-Shaped Desk



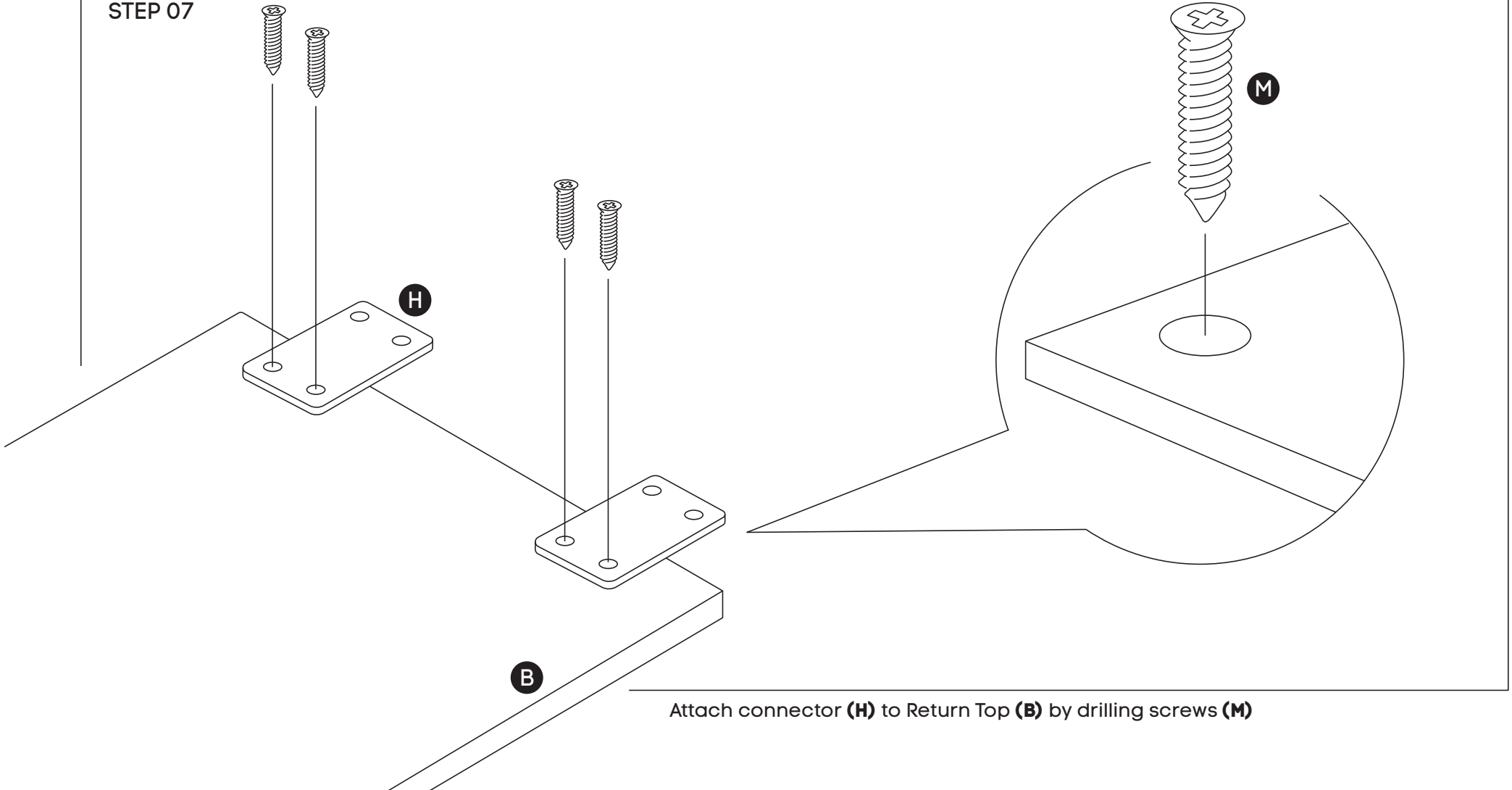
Now attach the return beam **(F)** to return leg **(D)** using nut insert in legs. See point attached.
Then, connect the hook of the return beam to the beam of the main structure.

Need help!

Call us on **1300 527 665**

Quadro Square L-Shaped Desk

STEP 07

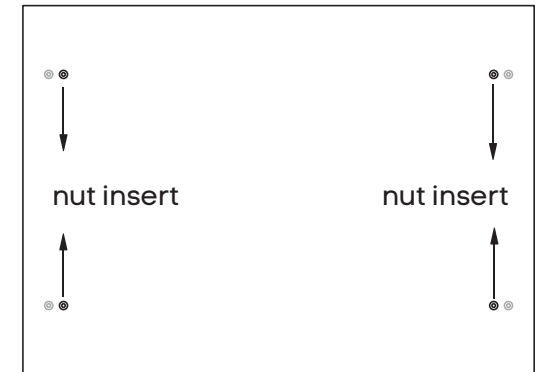
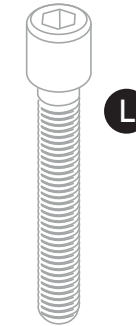
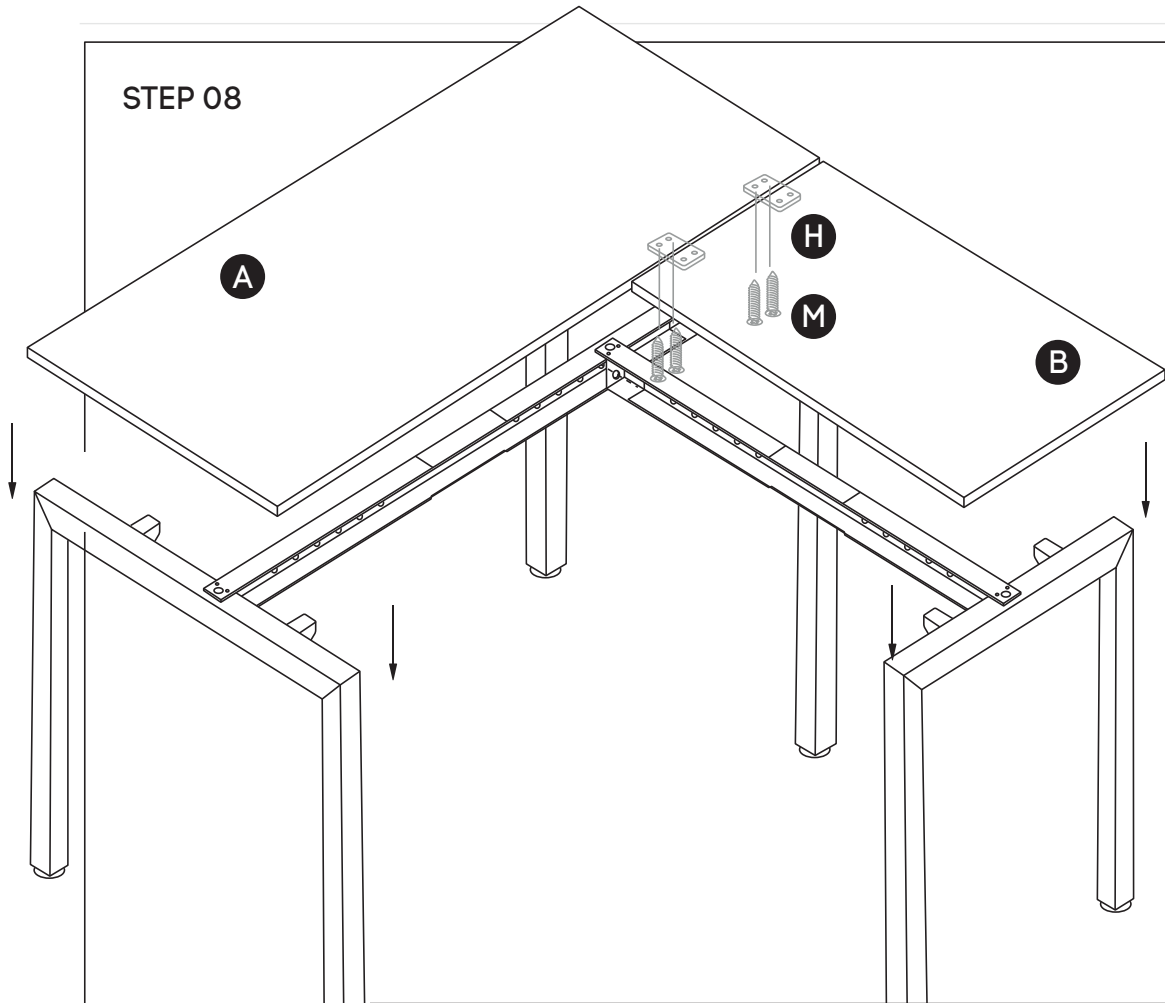


Attach connector (H) to Return Top (B) by drilling screws (M)

Need help!

Call us on **1300 527 665**

Quadro Square L-Shaped Desk



Place table top **(A)** on top of frame. Using nut inserts in the desk, use M6x30mm socket **(L)** and attach desktop to the frame. Using nut inserts in the desktop, use M6x30mm socket **(L)** and attach desktop **(B)** to the frame. Once desktop are attached and secure to the frame, use woods screws and secure joiner plates to the underside of desktop A.

TABLE TOP
BOTTOM VIEW