

ASSEMBLY INSTRUCTIONS

Quadro Square 6P workstation

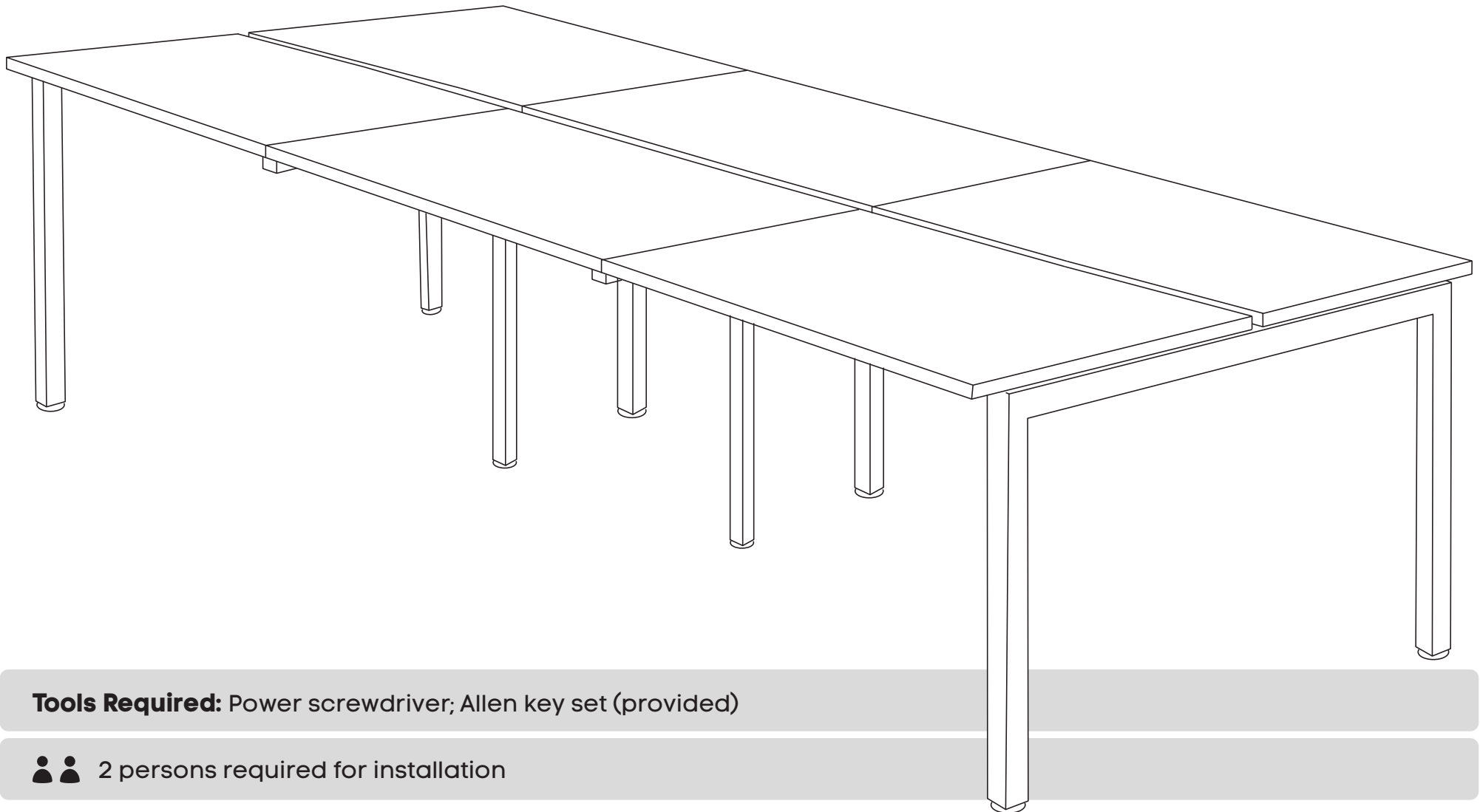
Sizes: 1200x700, 1400x700, 1600x700, 1800x700 mm

www.jasonl.com.au


Need help!

Call us on
1300 527 665

jason.l
your office furniture mate



Tools Required: Power screwdriver; Allen key set (provided)

 2 persons required for installation

ASSEMBLY INSTRUCTIONS

Quadro Square 6P workstation

www.jasonl.com.au

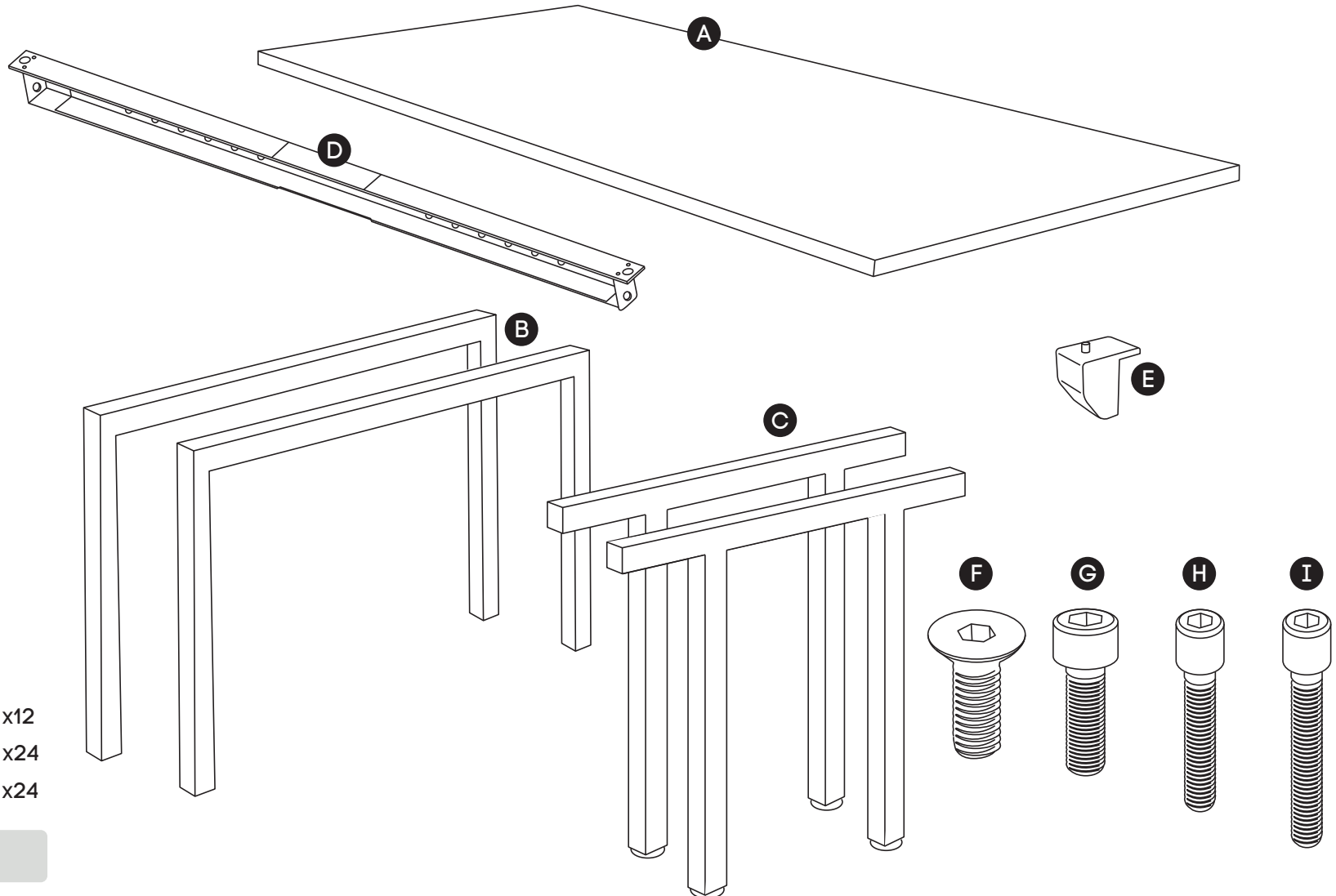
Need help!

Call us on
1300 527 665

jason.l
your office furniture mate



Sizes: 1200x700, 1400x700, 1600x700, 1800x700 mm



COMPONENTS

- A Table top x6
- B Leg Quadro Square x2
- C Connector frame x2
- D Beam x8 *
- E Plastic bracket x24

SCREWS

- F M8x20MM CSK x12
- G M8x20MM Socket head x12
- H M6x20MM Socket head x24
- I M6x30MM Socket head x24

- J Allen key x2

* Colour of the beam is always black, regardless desk frame colour.

ASSEMBLY INSTRUCTIONS

Quadro Square 6P workstation

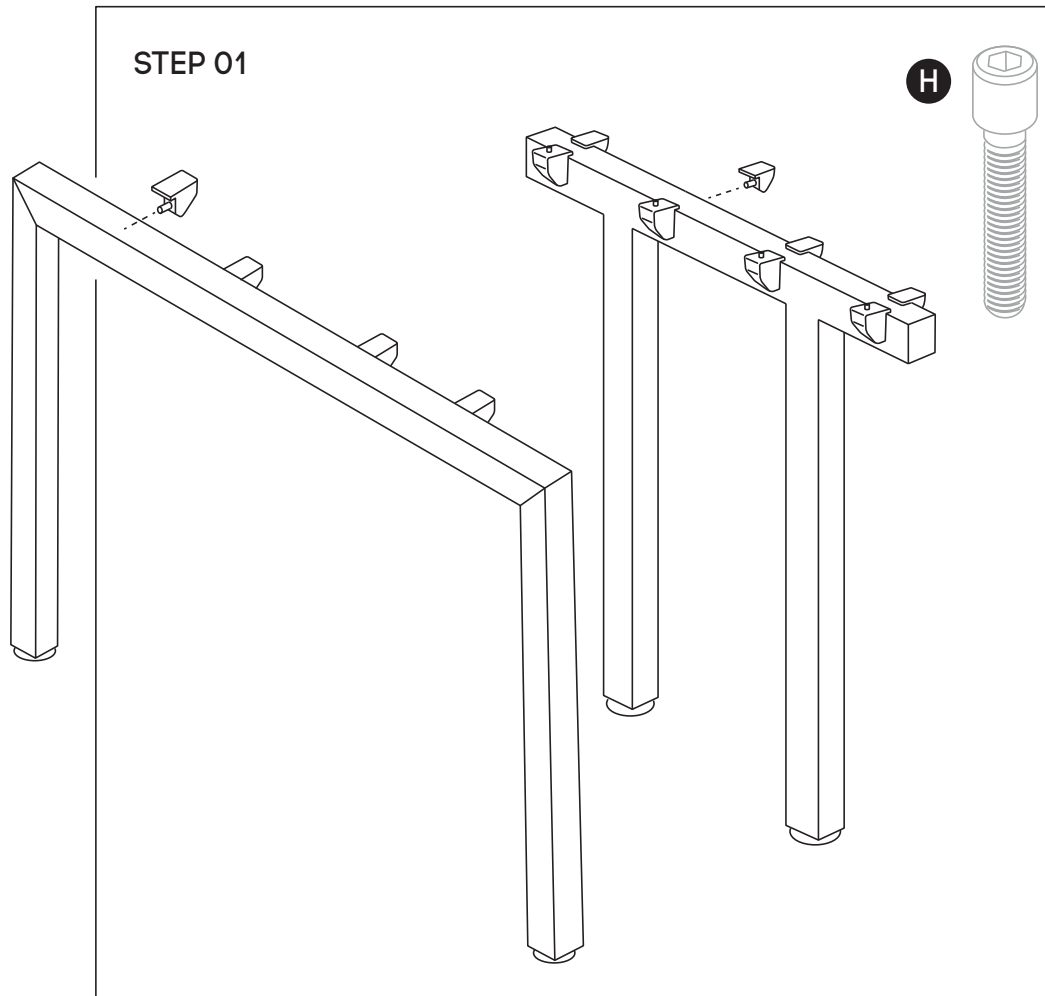
Sizes: 1200x700, 1400x700, 1600x700, 1800x700 mm

www.jasonl.com.au

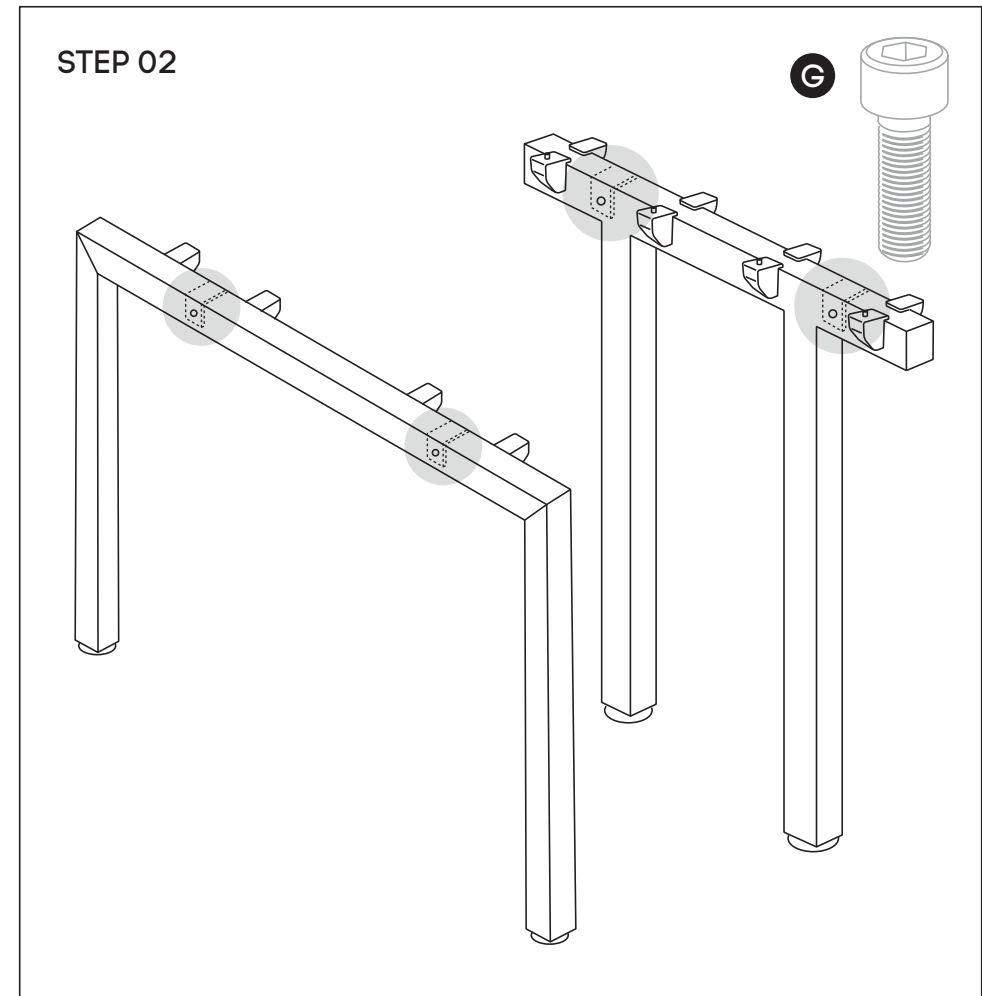
Need help!

Call us on
1300 527 665

jason.l
your office furniture mate



Using Allen Key provided, attach 4 plastic brackets per leg **(E)** (as per picture above) using M6x20MM **(H)** Socket head screw. Do the same with Connector frame **(C)**.



Using Allen Key provided, attach M8x20MM Socket head **(G)**-screw socket half way into leg for both legs **(B)** and into Connector frame **(C)**.

ASSEMBLY INSTRUCTIONS

Quadro Square 6P workstation

www.jasonl.com.au

Need help!
Call us on
1300 527 665

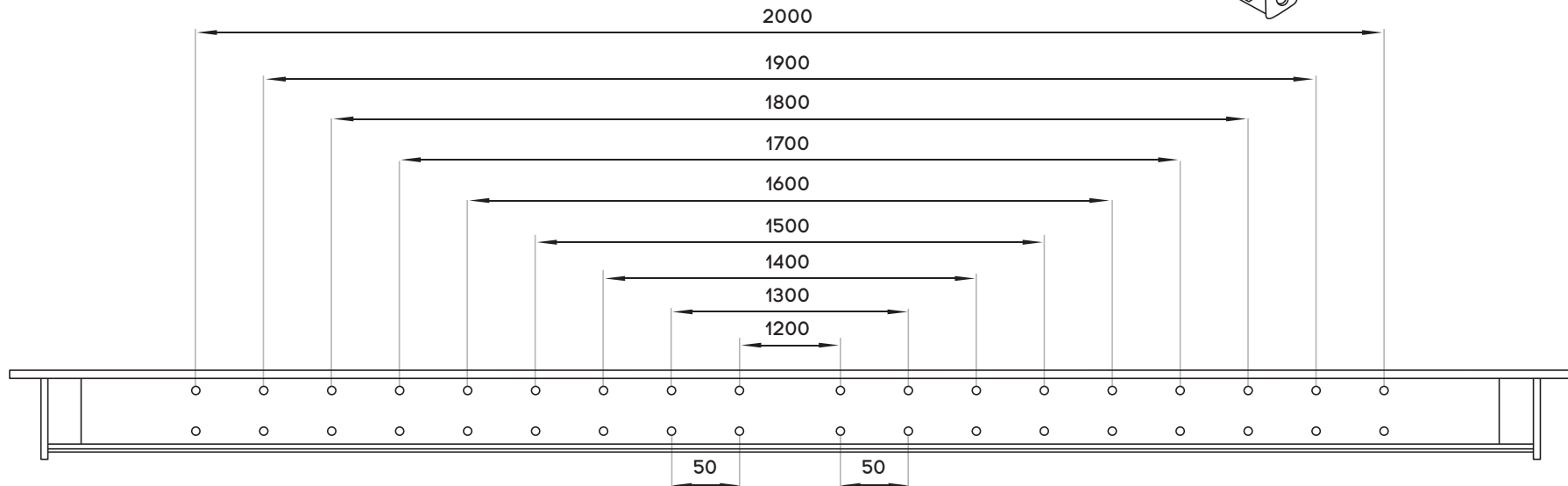
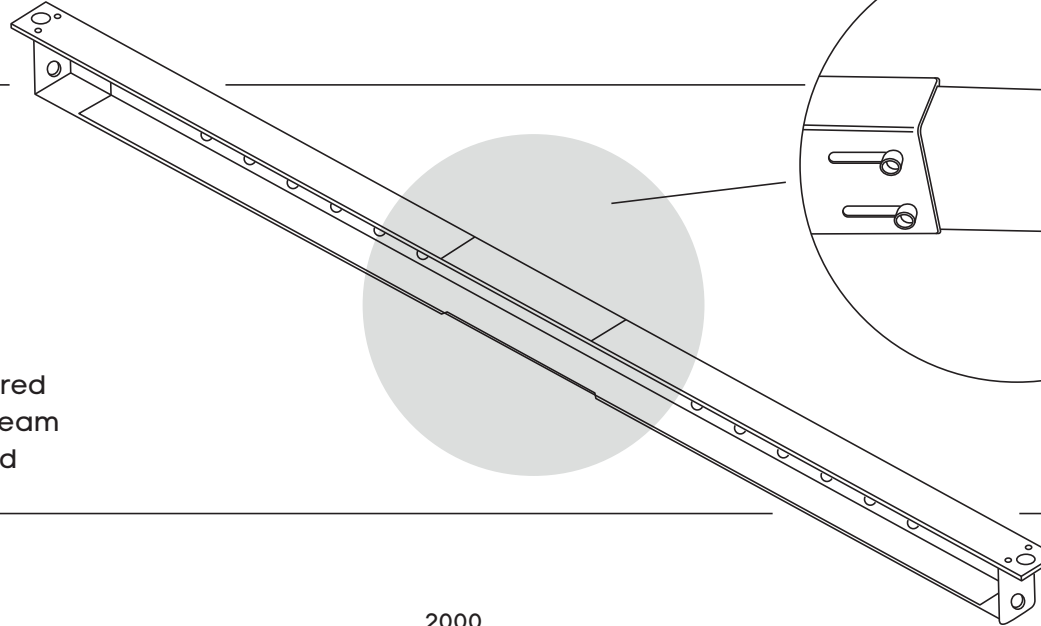
jason.l
your office furniture mate



Sizes: 1200x700, 1400x700, 1600x700, 1800x700 mm

STEP 03

Adjust extendable beam **(D)** to desired length using markers and secure beam at that length using screws provided



ASSEMBLY INSTRUCTIONS

Quadro Square 6P workstation

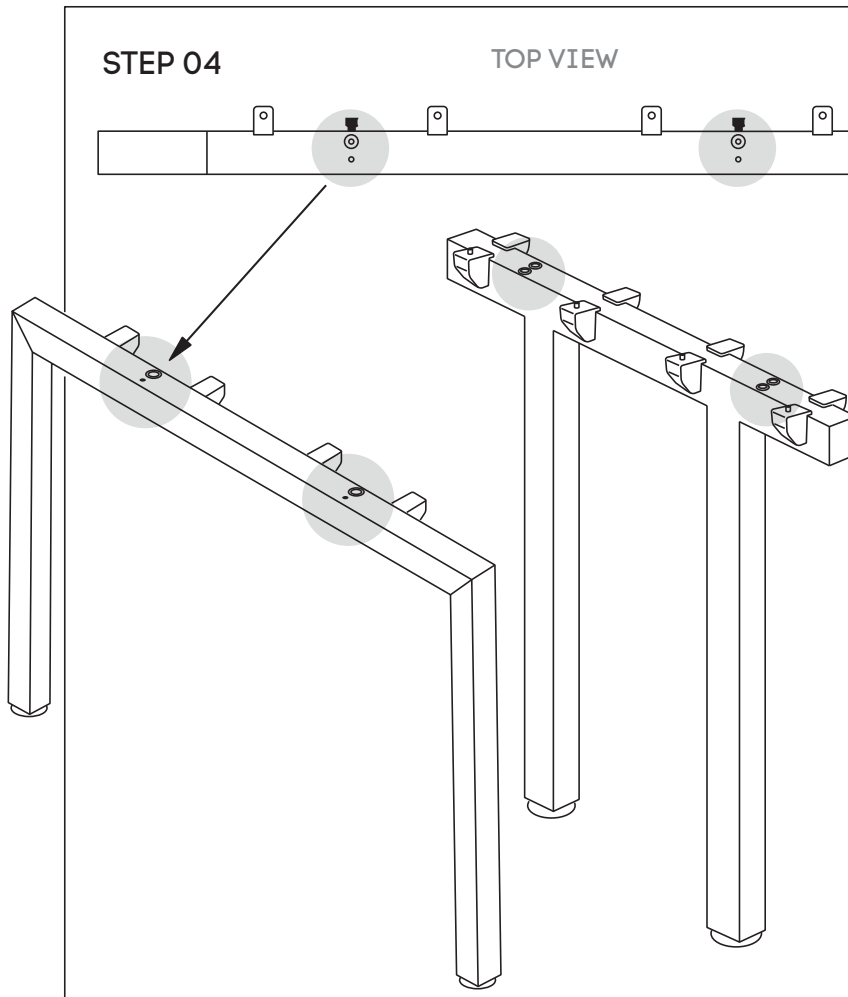
Sizes: 1200x700, 1400x700, 1600x700, 1800x700 mm

www.jasonl.com.au

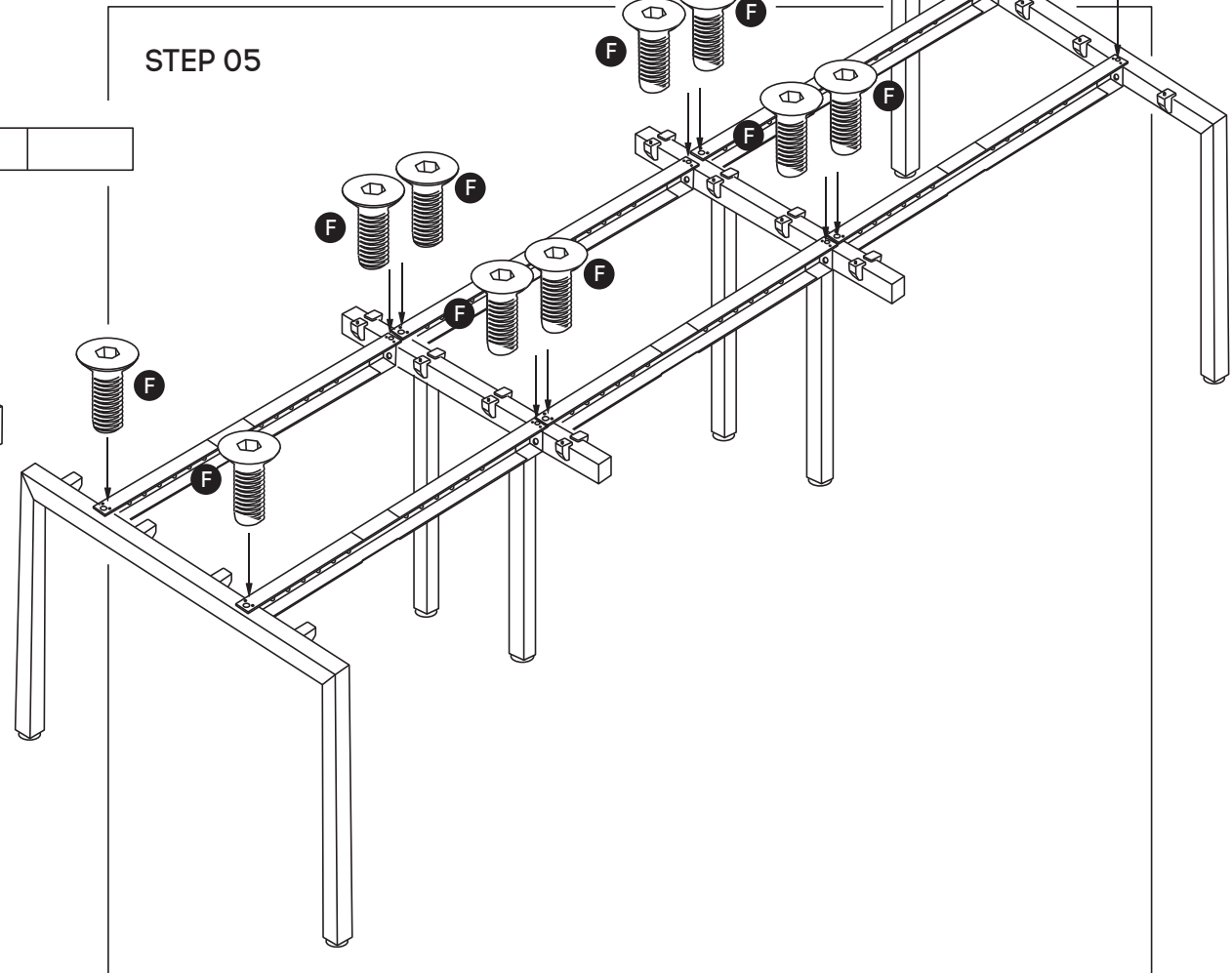
Need help!

Call us on
1300 527 665

jason.l
your office furniture mate



Attach beam (D) to legs (B) and Connector frame (C) using nut insert in legs. See point attached



Frame looks like this. Using Allen Key, attach beam (D) with Socket (F)

ASSEMBLY INSTRUCTIONS

Quadro Square 6P workstation

Sizes: 1200x700, 1400x700, 1600x700, 1800x700 mm

www.jasonl.com.au

Need help!
Call us on
1300 527 665

jason.l
your office furniture mate



STEP 06

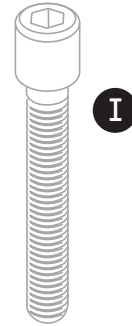
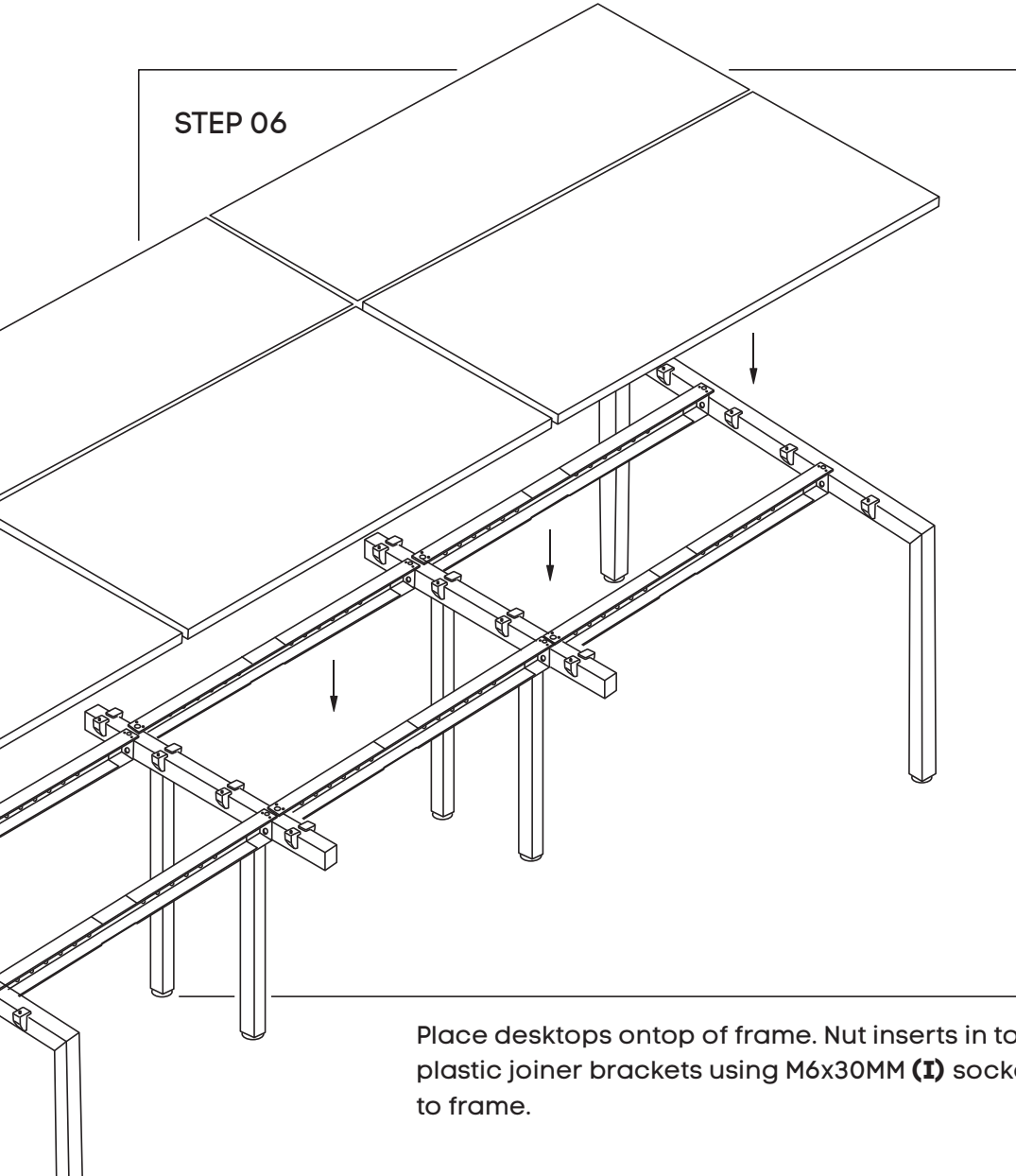
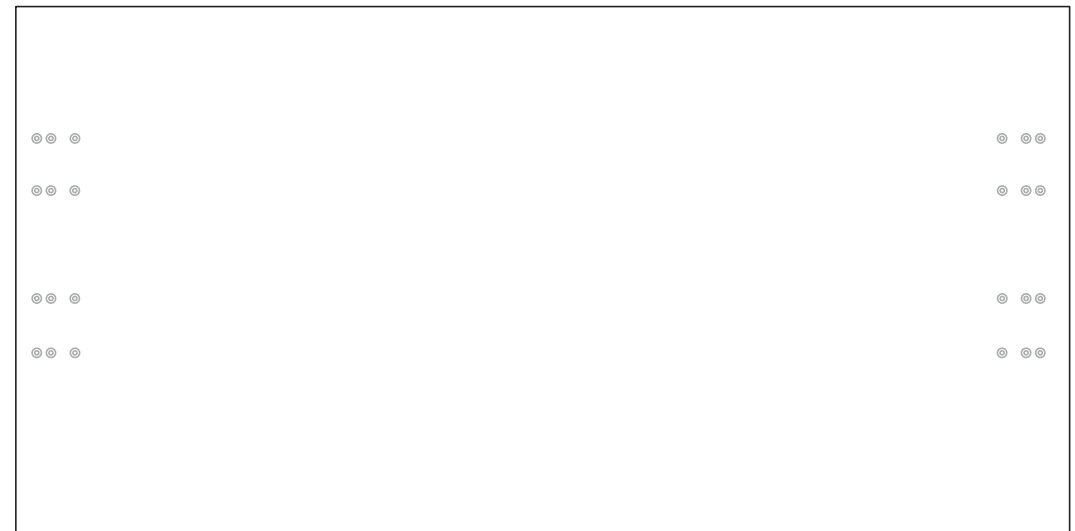


TABLE TOPS
BOTTOM VIEW



Place desktops on top of frame. Nut inserts in top will align with plastic joiner brackets using M6x30MM (I) sockets attach tops to frame.