

# ASSEMBLY INSTRUCTIONS

## Quadro Square 2P Run workstation

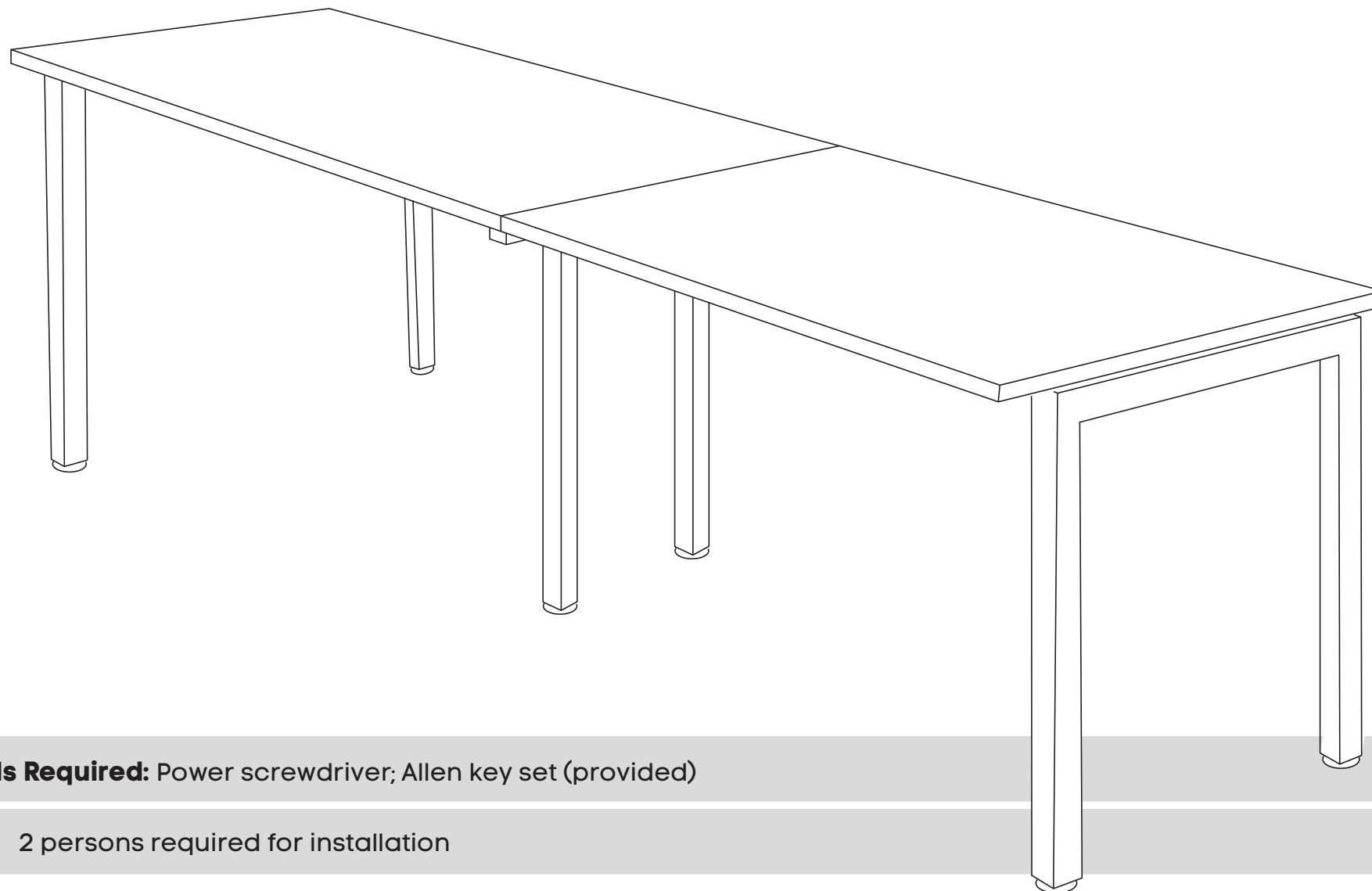
Sizes: 1200x700, 1400x700, 1600x700, 1800x700 mm

[www.jasonl.com.au](http://www.jasonl.com.au)


**Need help!**

Call us on  
**1300 527 665**

**jason.l**  
your office furniture mate



**Tools Required:** Power screwdriver; Allen key set (provided)

 2 persons required for installation

# ASSEMBLY INSTRUCTIONS

## Quadro Square 2P Run workstation

[www.jasonl.com.au](http://www.jasonl.com.au)

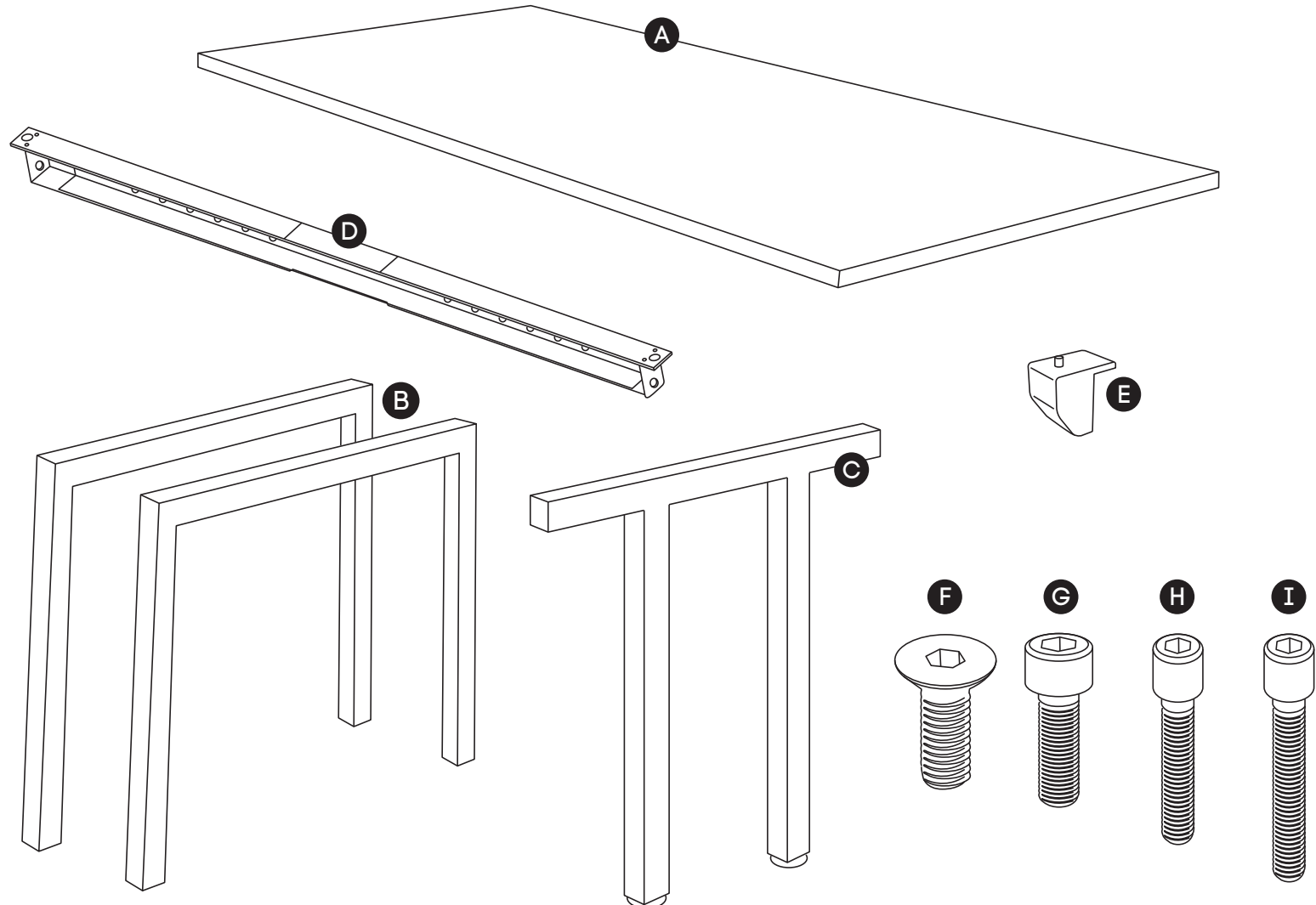
**Need help!**

Call us on  
**1300 527 665**

**jason.l**  
your office furniture mate



Sizes: 1200x700, 1400x700, 1600x700, 1800x700 mm



### COMPONENTS

- A Table top x2
- B Leg Quadro Square x2
- C Connector frame x1
- D Beam x2 \*
- E Plastic bracket x8

### SCREWS

- F M8x20MM CSK x4
- G M8x20MM Socket head x4
- H M6x20MM Socket head x8
- I M6x30MM Socket head x8

- J Allen key x2

\* Colour of the beam is always black, regardless desk frame colour.

# ASSEMBLY INSTRUCTIONS

## Quadro Square

### 2P Run workstation

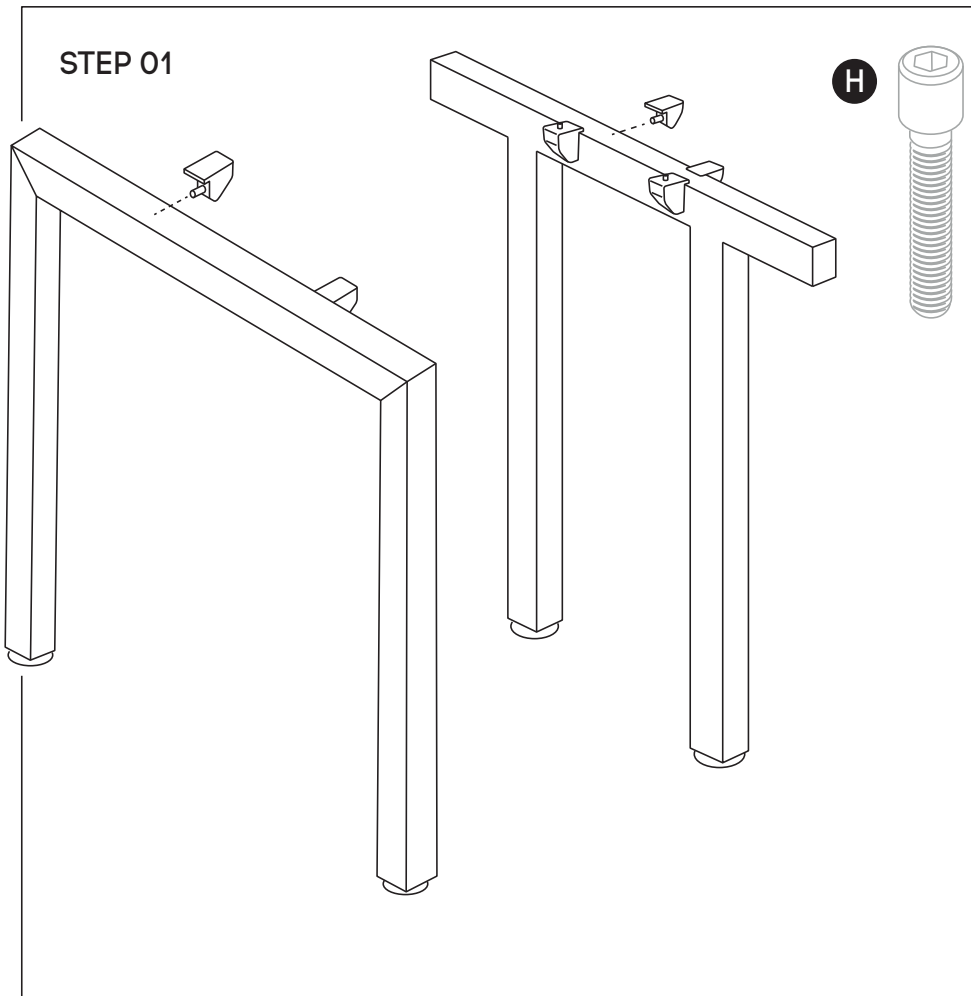
[www.jasonl.com.au](http://www.jasonl.com.au)

**Need help!**  
Call us on  
**1300 527 665**

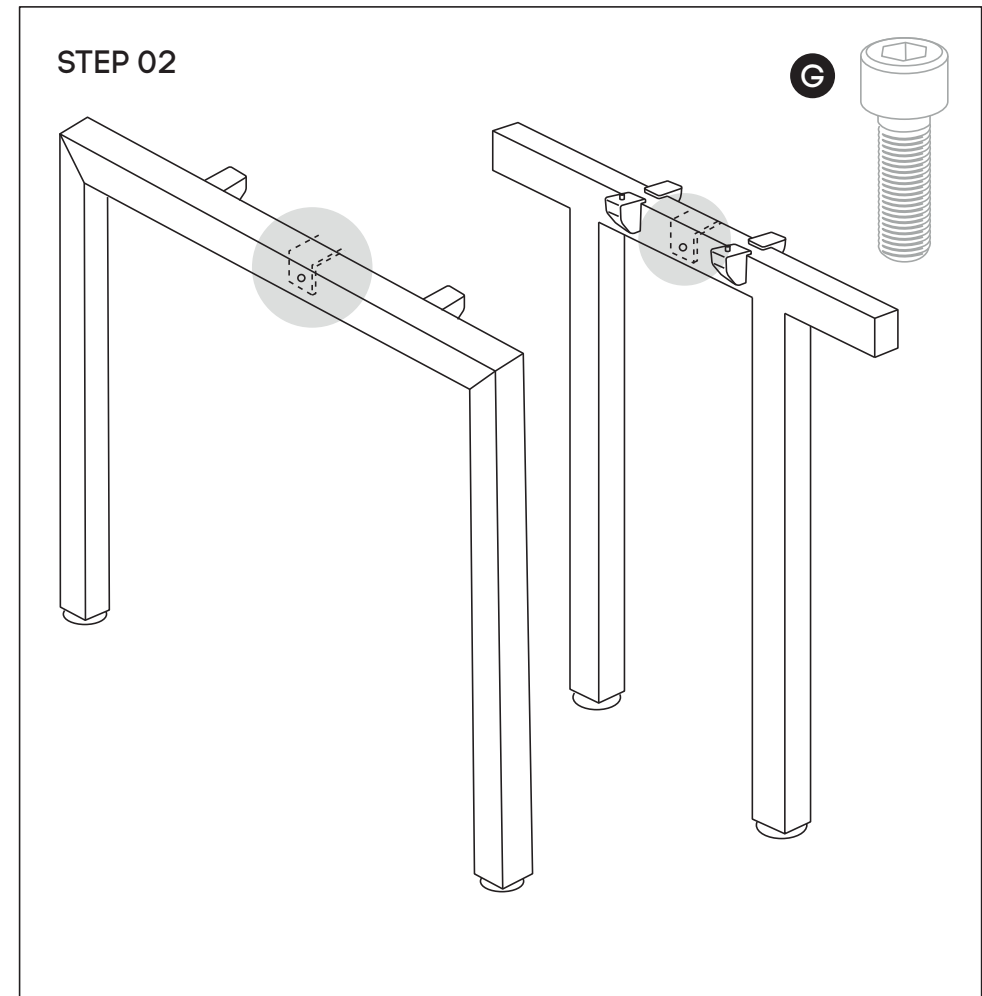
**jason.l**  
your office furniture mate



Sizes: 1200x700, 1400x700, 1600x700, 1800x700 mm



Using Allen Key provided, attach 2 plastic brackets per leg **(E)** (as per picture above) using M6x20MM **(H)** Socket head screw. Do the same with Connector frame **(C)**.



Using Allen Key provided, attach M8x20MM Socket head **(G)**-screw socket half way into leg for both legs **(B)** and into Connector frame **(C)**.

# ASSEMBLY INSTRUCTIONS

## Quadro Square 2P Run workstation

[www.jasonl.com.au](http://www.jasonl.com.au)

**Need help!**  
Call us on  
**1300 527 665**

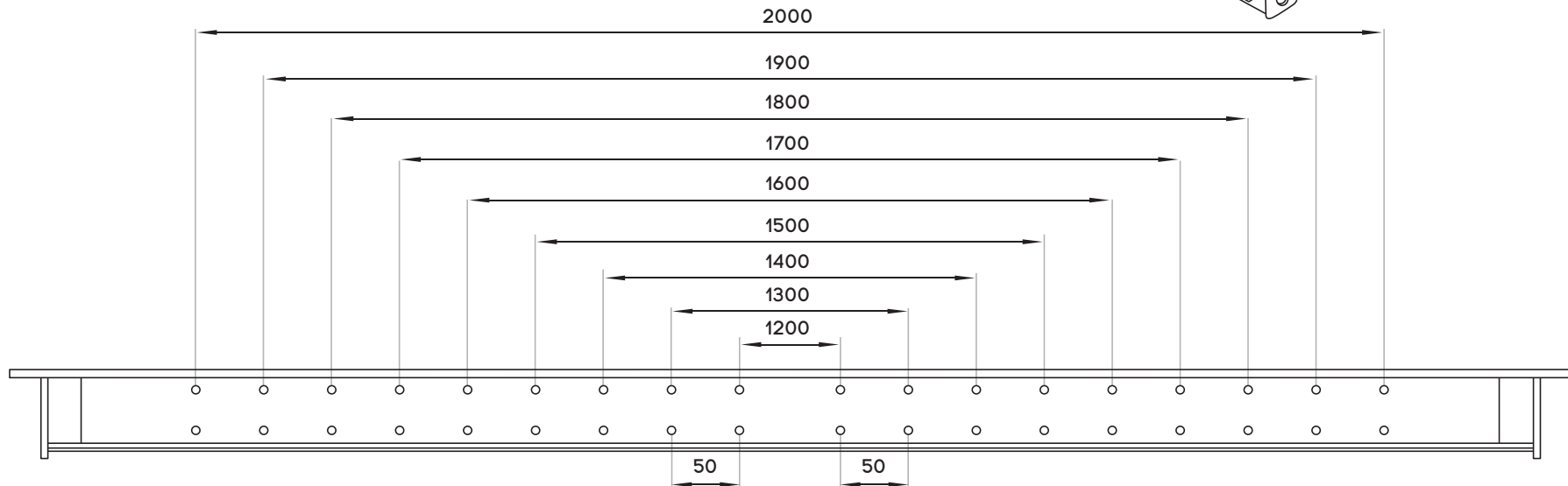
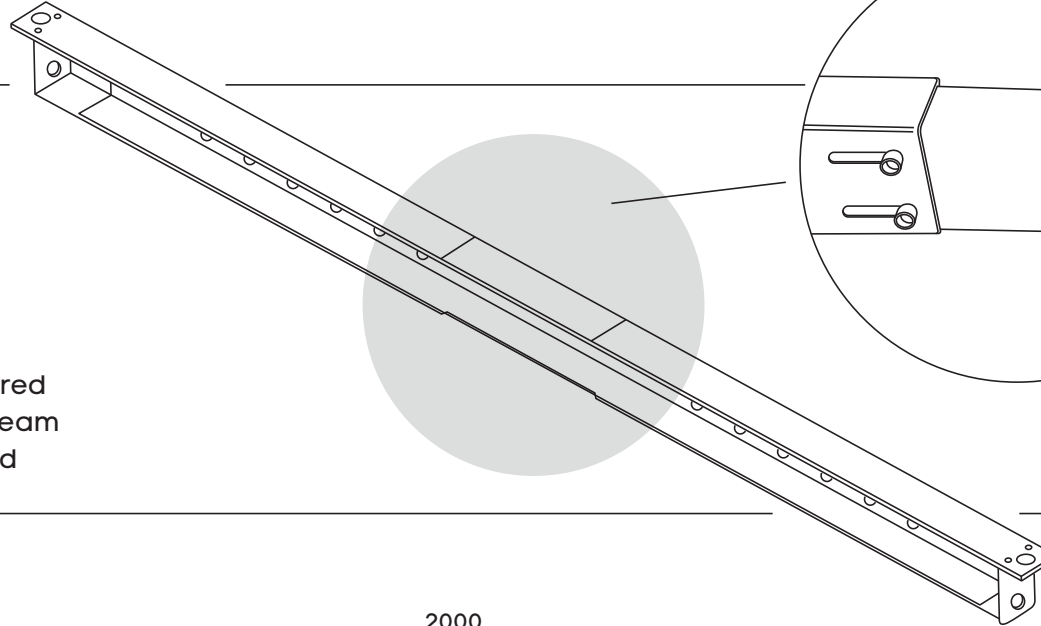
**jason.l**  
your office furniture mate



Sizes: 1200x700, 1400x700, 1600x700, 1800x700 mm

### STEP 03

Adjust extendable beam **(D)** to desired length using markers and secure beam at that length using screws provided



# ASSEMBLY INSTRUCTIONS

## Quadro Square

### 2P Run workstation

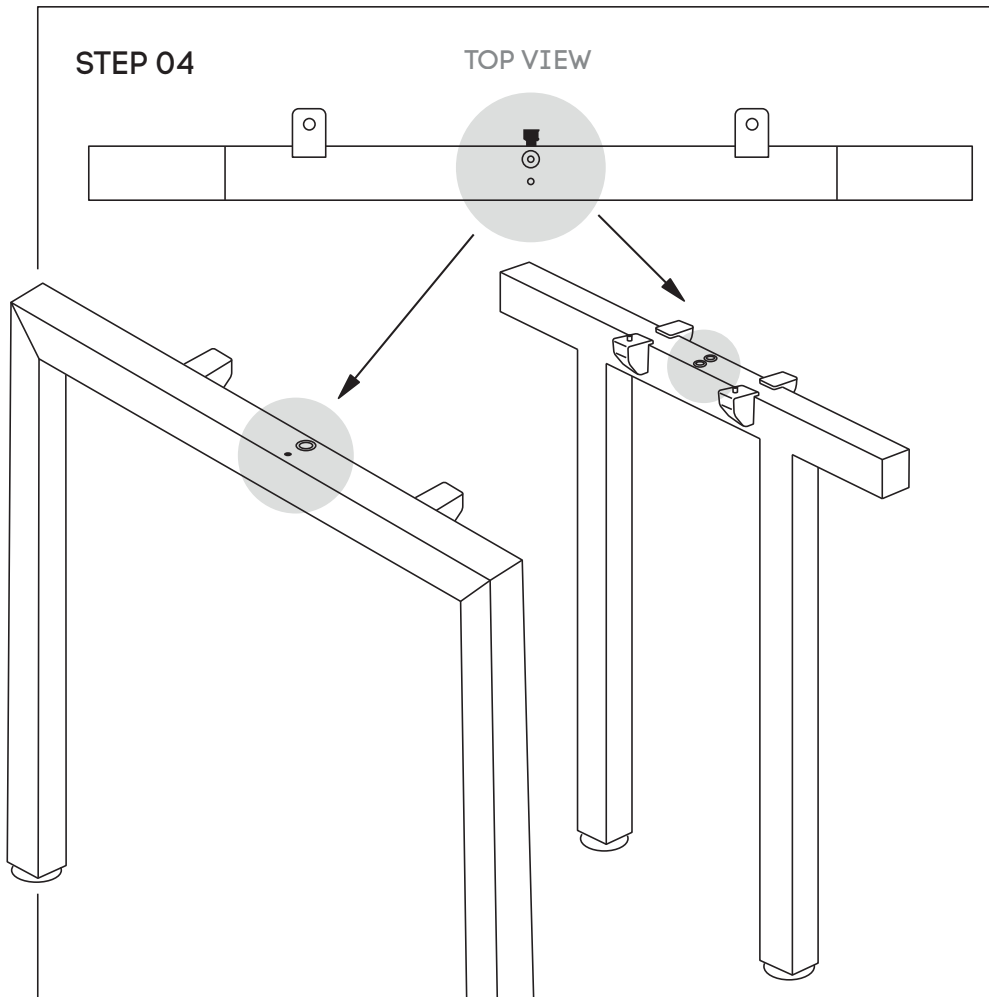
www.jasonl.com.au

Need help!  
Call us on  
1300 527 665

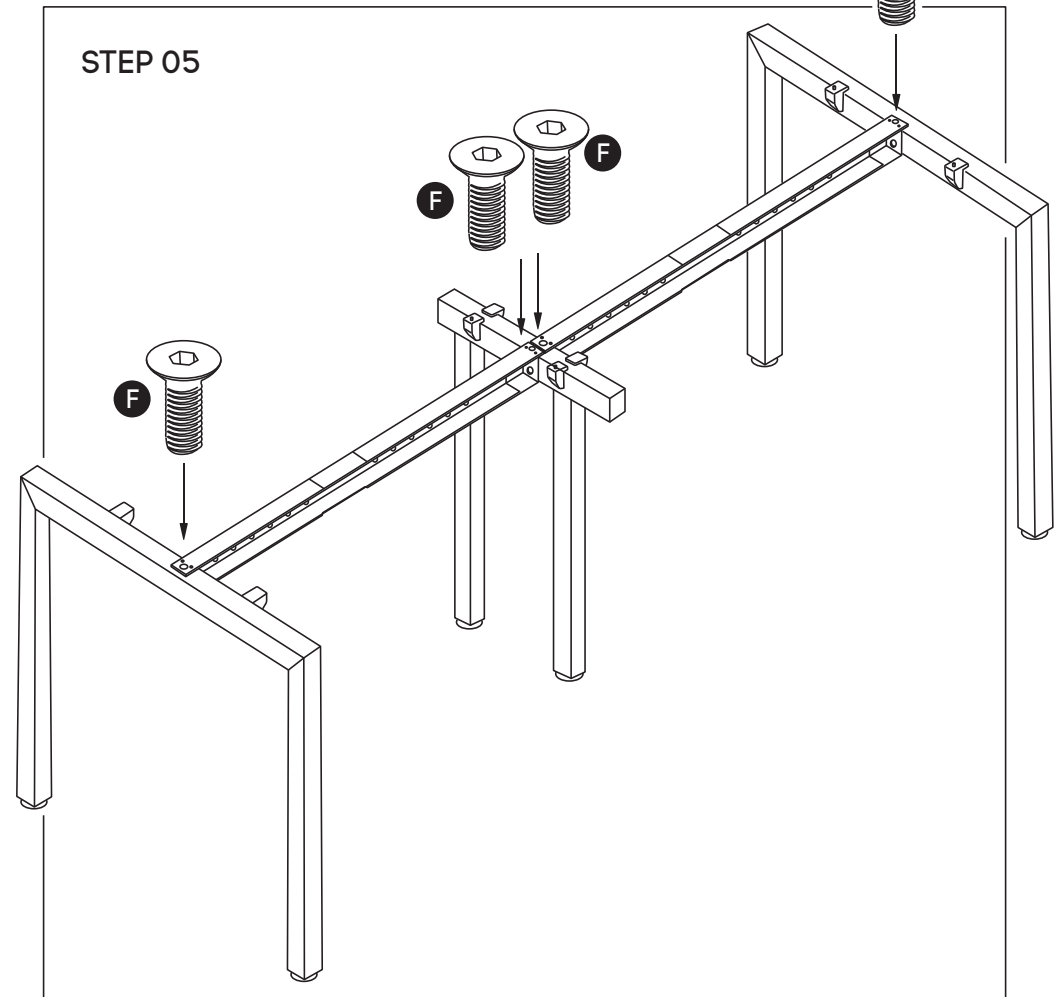
jason.l  
your office furniture mate



Sizes: 1200x700, 1400x700, 1600x700, 1800x700 mm



Attach beam **(D)** to legs **(B)** and Connector frame **(C)** using nut insert in legs. See point attached



Frame looks like this. Using Allen Key, attach beam **(D)** with Socket **(F)**

# ASSEMBLY INSTRUCTIONS

## Quadro Square

### 2P Run workstation

[www.jasonl.com.au](http://www.jasonl.com.au)

**Need help!**  
Call us on  
**1300 527 665**

**jason.l**  
your office furniture mate



Sizes: 1200x700, 1400x700, 1600x700, 1800x700 mm

STEP 06

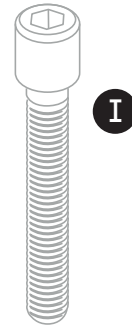
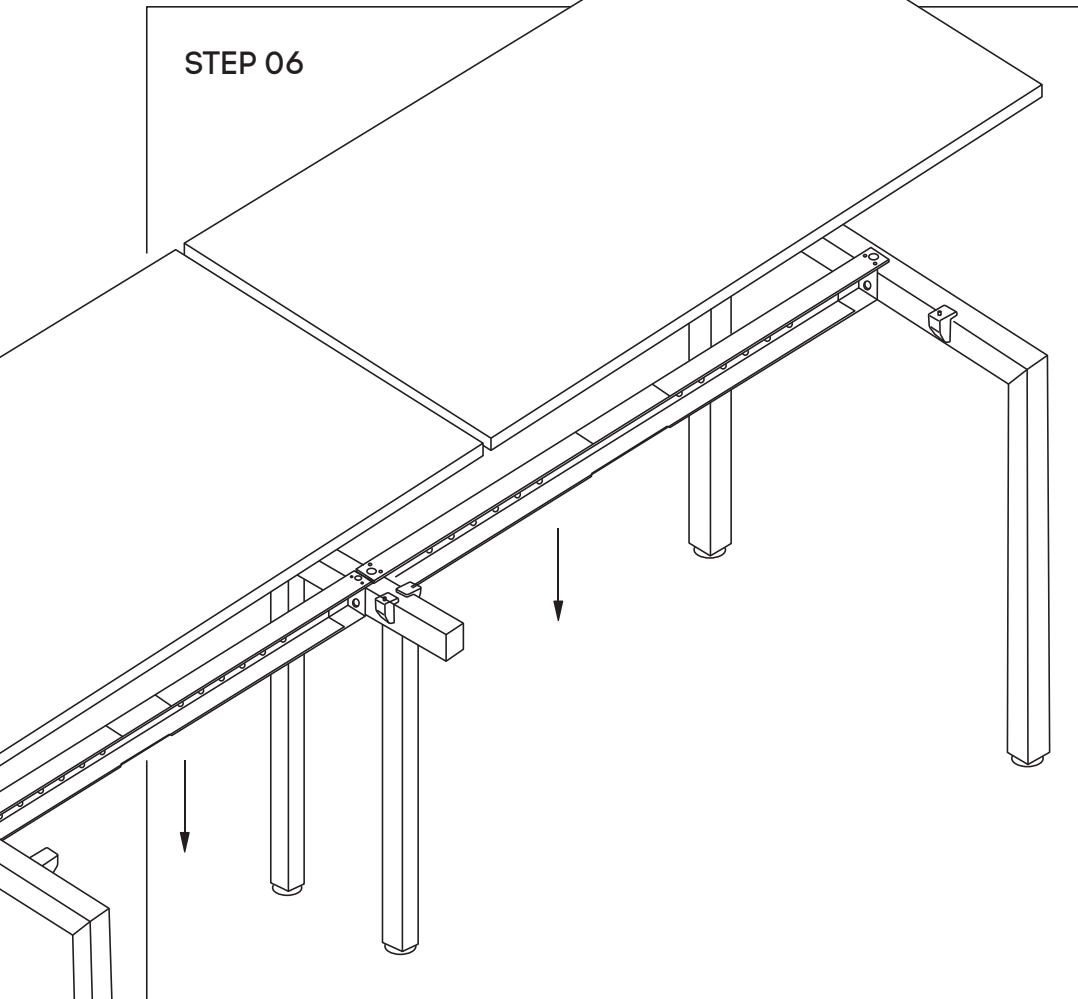
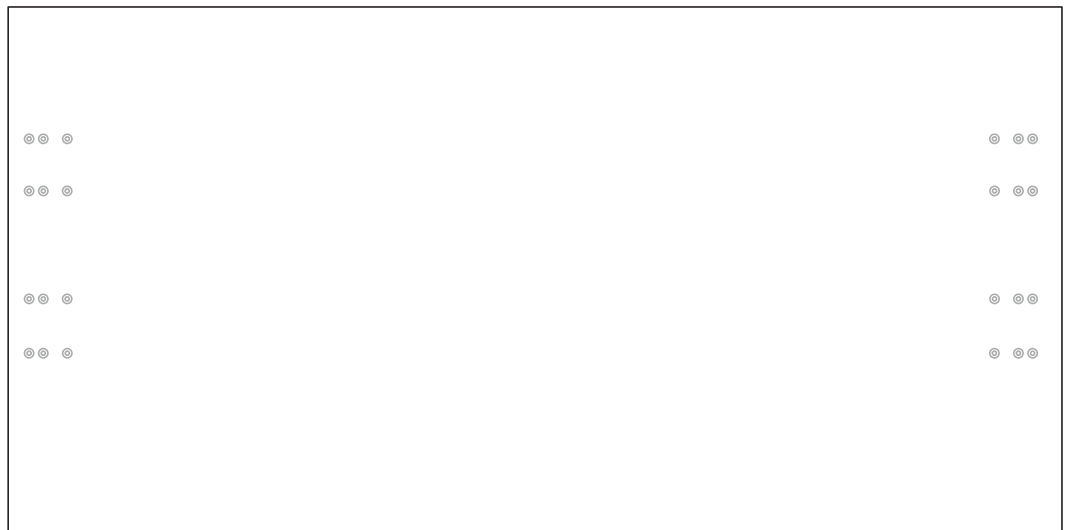


TABLE TOP  
BOTTOM VIEW



Place desktops ontop of frame. Nut inserts in top will align with plastic joiner brackets using M6x30MM (I) sockets attach tops to frame.

# ASSEMBLY INSTRUCTIONS

## Quadro Square 2P Run workstation

Sizes: 1200x700, 1400x700, 1600x700, 1800x700 mm

[www.jasonl.com.au](http://www.jasonl.com.au)

**Need help!**

Call us on  
**1300 527 665**

**jason.l**  
your office furniture mate



### TABLE TOPS BOTTOM VIEW

The following nut inserts should be used for this specific desk / workstation

