

# ASSEMBLY INSTRUCTIONS

## Quadro Loop Desk Frame

[www.jasonl.com.au](http://www.jasonl.com.au)

**Need help!**

Call us on  
**1300 527 665**

**jason.l**  
your office furniture mate



### Sizes:

1000x1000

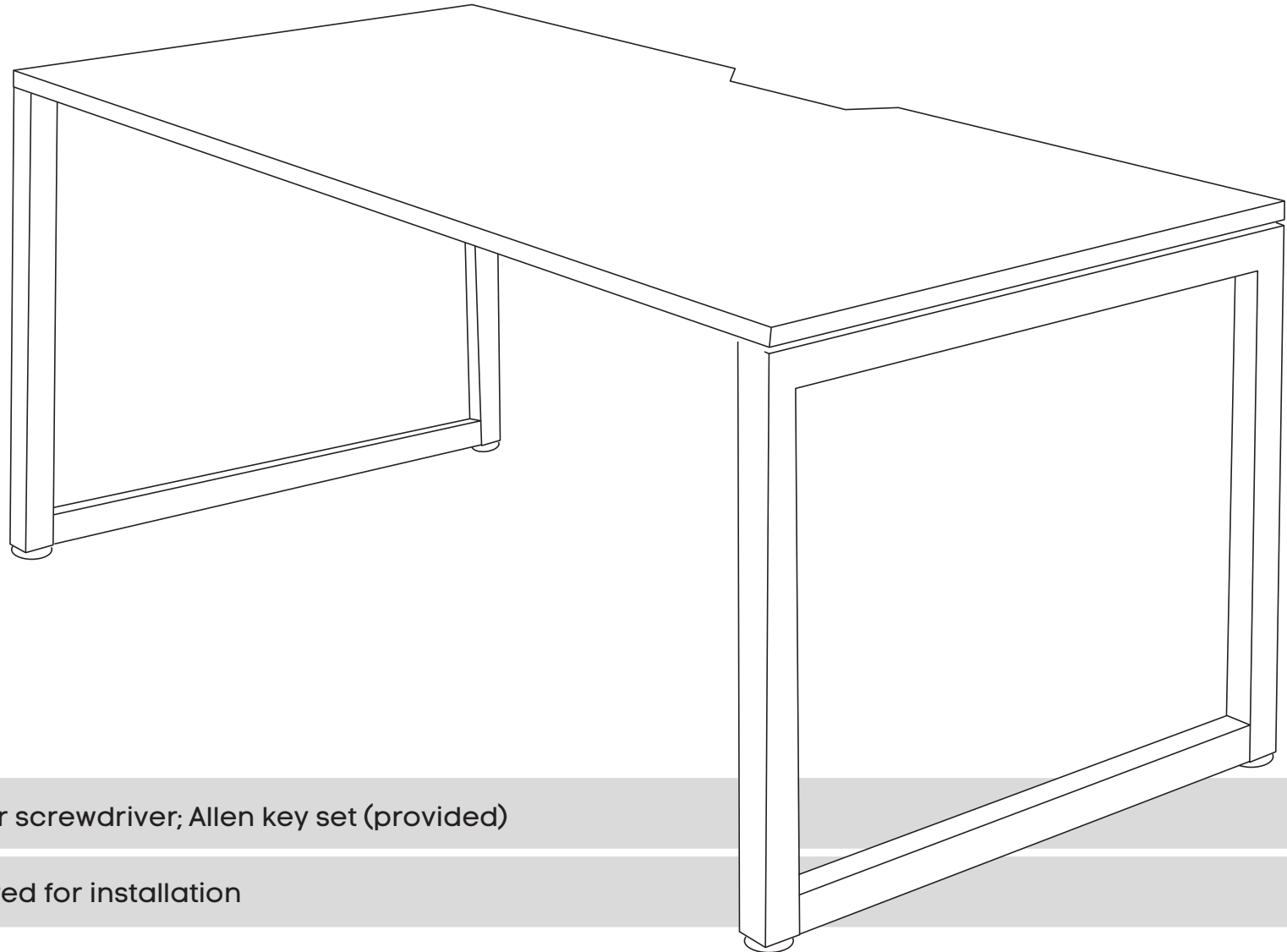
1200x800

1400x800


1600x800

1800x800

2000-2400x800



**Tools Required:** Power screwdriver; Allen key set (provided)

 2 persons required for installation

# ASSEMBLY INSTRUCTIONS

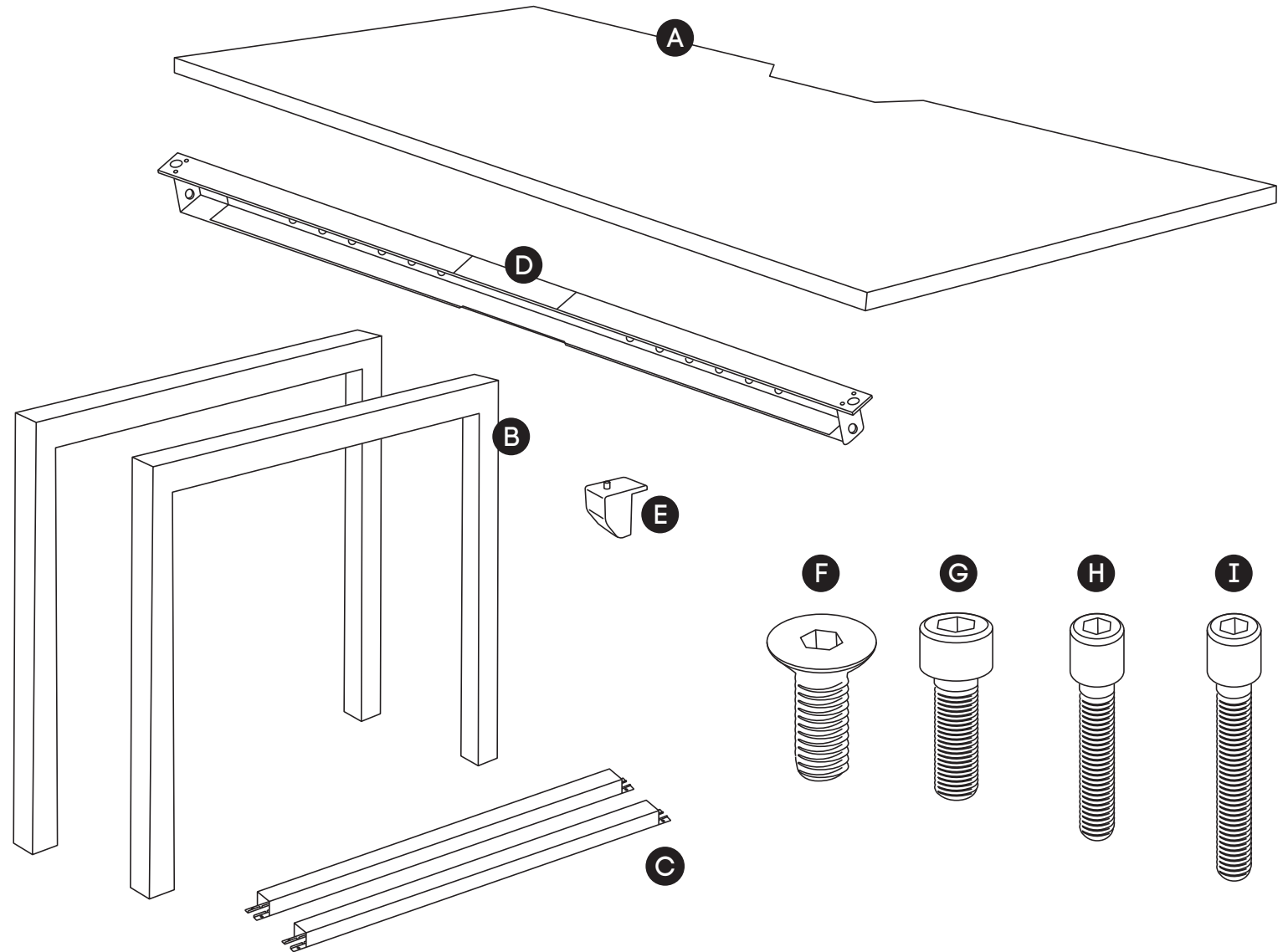
## Quadro Loop Desk Frame

[www.jasonl.com.au](http://www.jasonl.com.au)

**Need help!**

Call us on  
**1300 527 665**

**jason.l**  
your office furniture mate



### COMPONENTS

- A Table top x1
- B Legs Quadro x2
- C Legs Quadro Loop x2
- D Beam x1 \*
- E Plastic bracket x4

### SCREWS

- F M8x20MM CSK x2
- G M8x20MM Socket head x2
- H M6x20MM Socket head x4
- I M6x30MM Socket head x4

- J Allen key x2

\* Colour of the beam is always black, regardless desk frame colour.

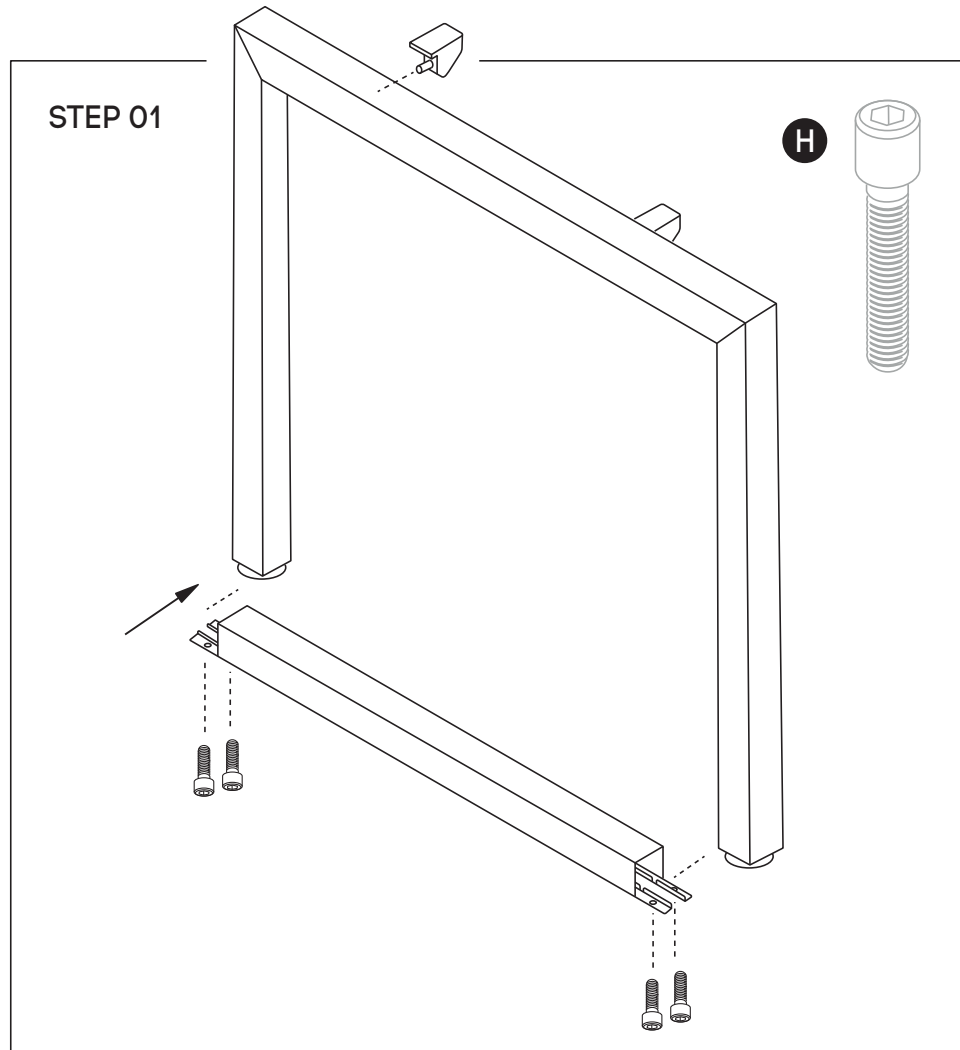
# ASSEMBLY INSTRUCTIONS

## Quadro Loop Desk Frame

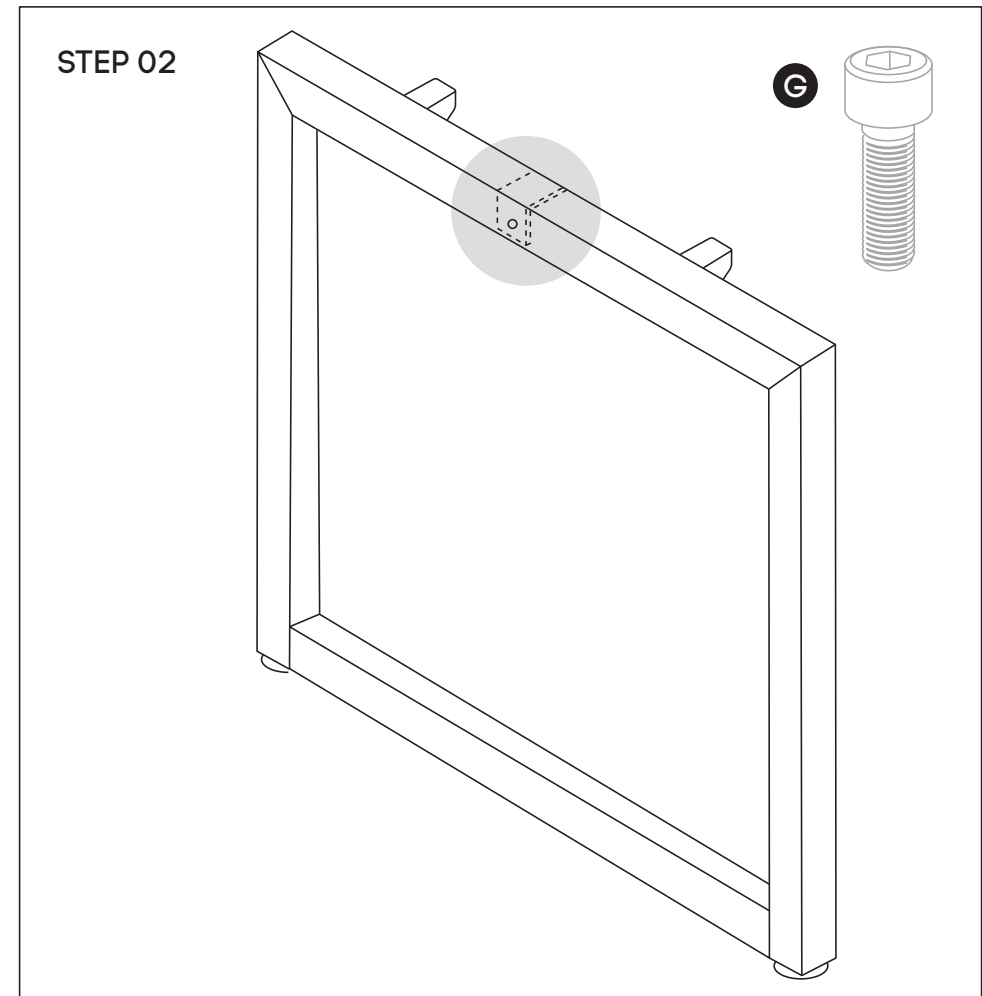
[www.jasonl.com.au](http://www.jasonl.com.au)

**Need help!**  
Call us on  
**1300 527 665**

**jason.l**  
your office furniture mate



Using Allen Key provided, attach 2 plastic brackets per leg **(E)** (as per picture above) using M6x20MM **(H)** Socket head screw. Connect Loop Legs **(C)** to Bottom of Quadro Legs **(B)** by using 4 bolts per leg.



Using Allen Key provided, attach M8x20MM Socket head **(G)**-screw socket half way into leg for both legs **(B)**

# ASSEMBLY INSTRUCTIONS

## Quadro Loop Desk Frame

[www.jasonl.com.au](http://www.jasonl.com.au)

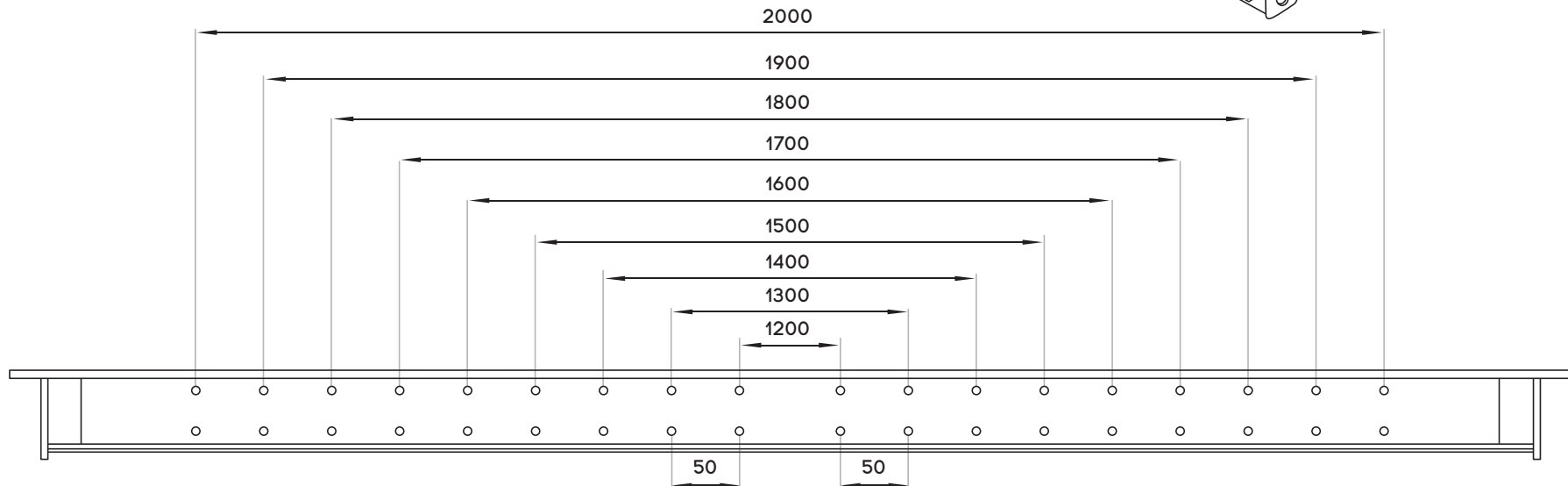
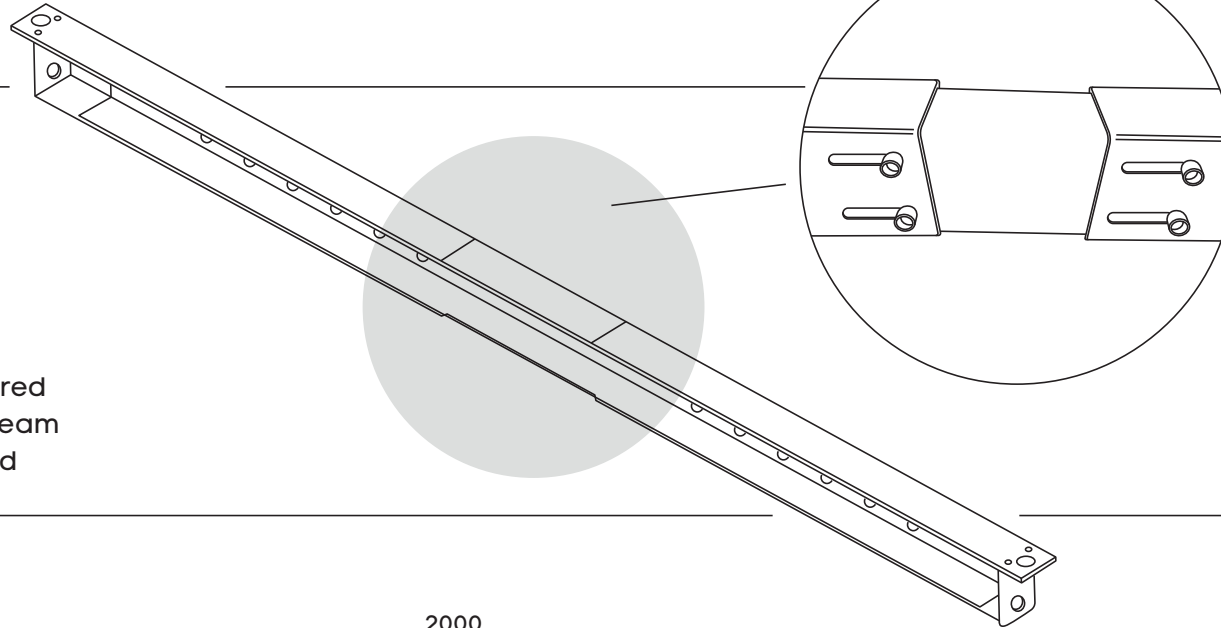
**Need help!**  
Call us on  
**1300 527 665**

**jason.l**  
your office furniture mate



### STEP 03

Adjust extendable beam **(D)** to desired length using markers and secure beam at that length using screws provided



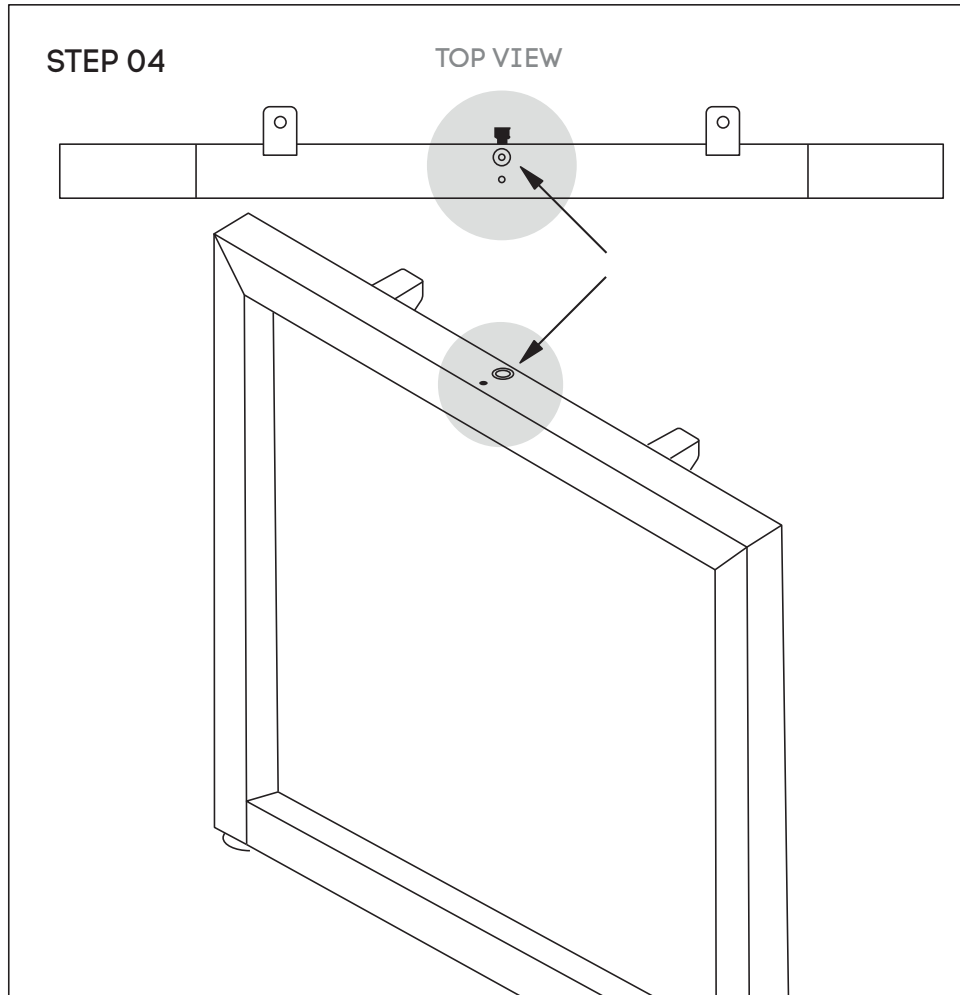
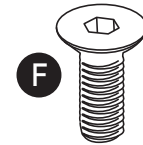
# ASSEMBLY INSTRUCTIONS

## Quadro Loop Desk Frame

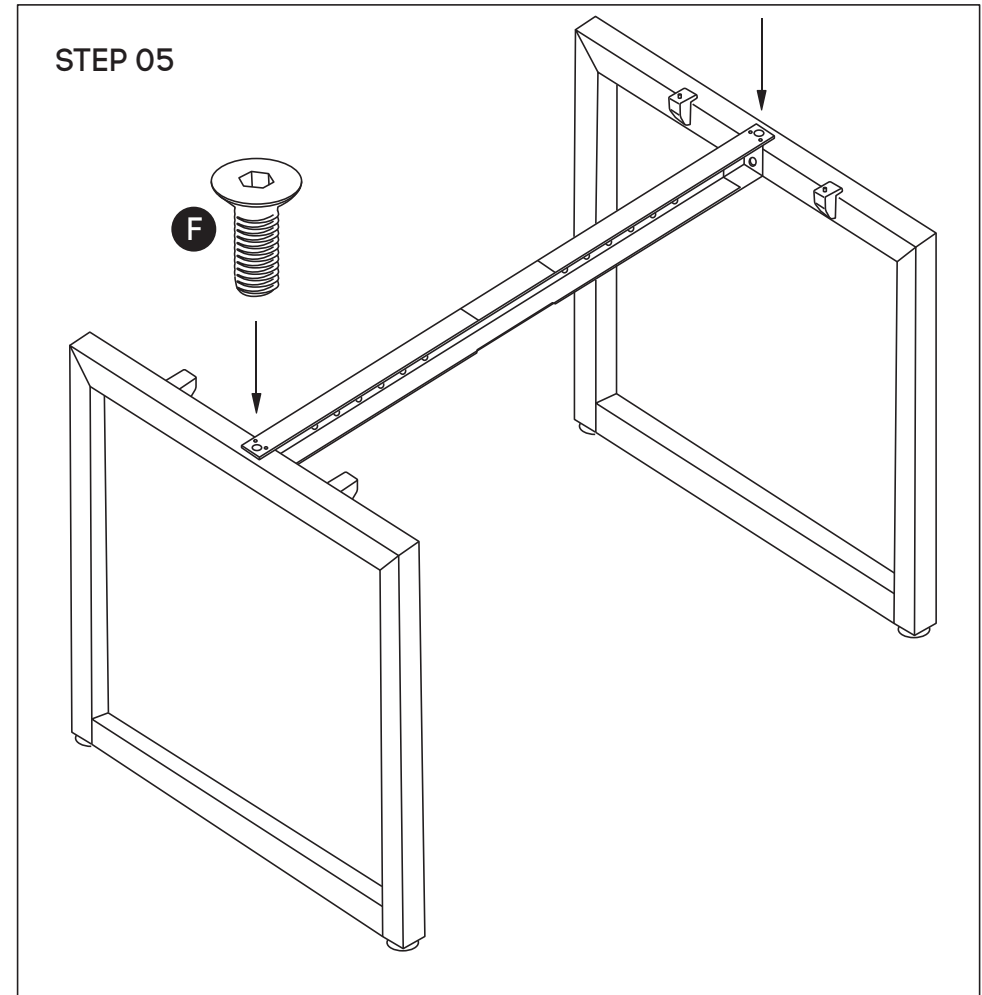
[www.jasonl.com.au](http://www.jasonl.com.au)

**Need help!**  
Call us on  
**1300 527 665**

**jason.l**  
your office furniture mate



Attach beam **(D)** to legs **(B)** using nut insert in legs.  
See point attached



Frame looks like this. Using Allen Key, attach beam **(D)** with Socket **(F)**

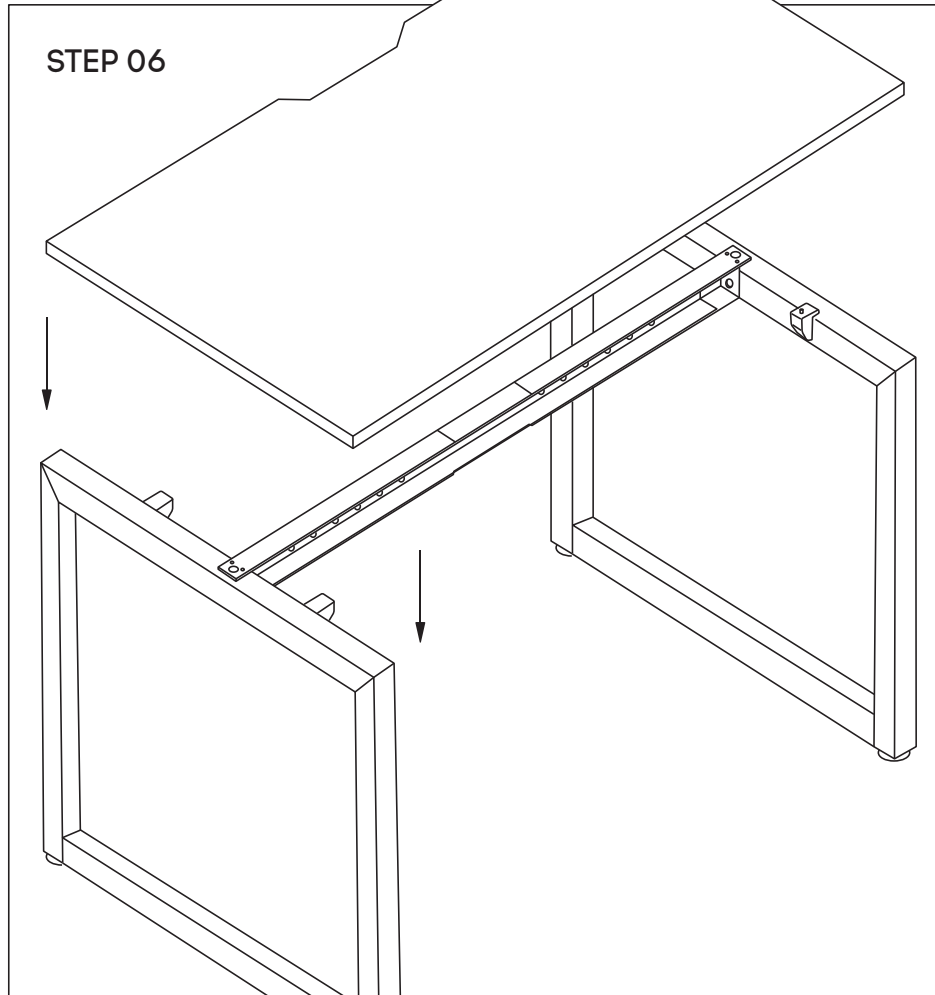
# ASSEMBLY INSTRUCTIONS

## Quadro Loop Desk Frame

[www.jasonl.com.au](http://www.jasonl.com.au)

**Need help!**  
Call us on  
**1300 527 665**

**jason.l**  
your office furniture mate



Place desktop on top of frame - with cutout at the back of the desk.  
Wood Screws to be drilled into the underneath Top.