

ASSEMBLY INSTRUCTIONS

Quadro Loop Boardroom Frame

www.jasonl.com.au

Need help!

Call us on
1300 527 665

jason.l
your office furniture mate

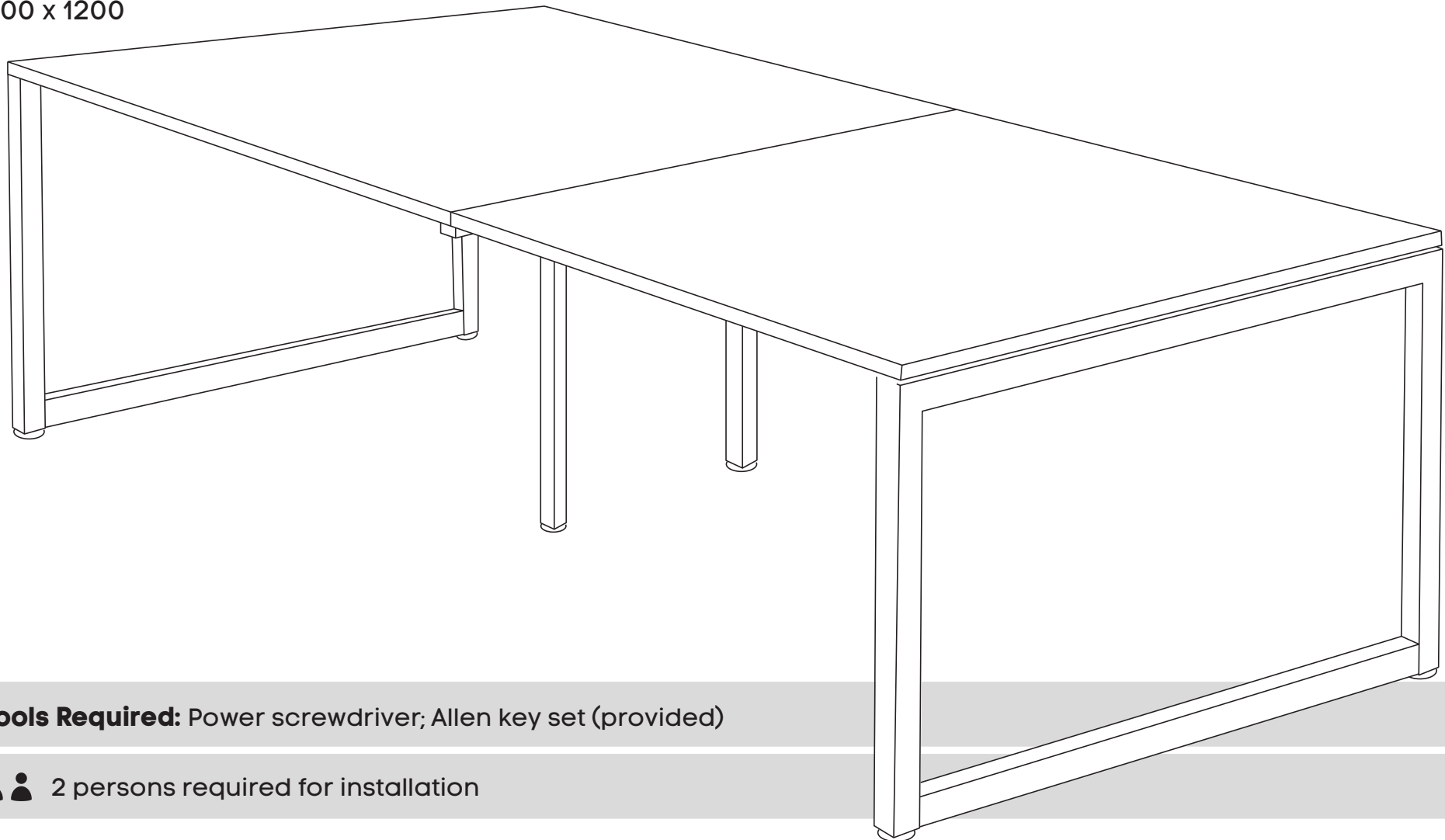


Sizes:


2400 x 1200

3000 x 1200

3600 x 1200



Tools Required: Power screwdriver; Allen key set (provided)

 2 persons required for installation

ASSEMBLY INSTRUCTIONS

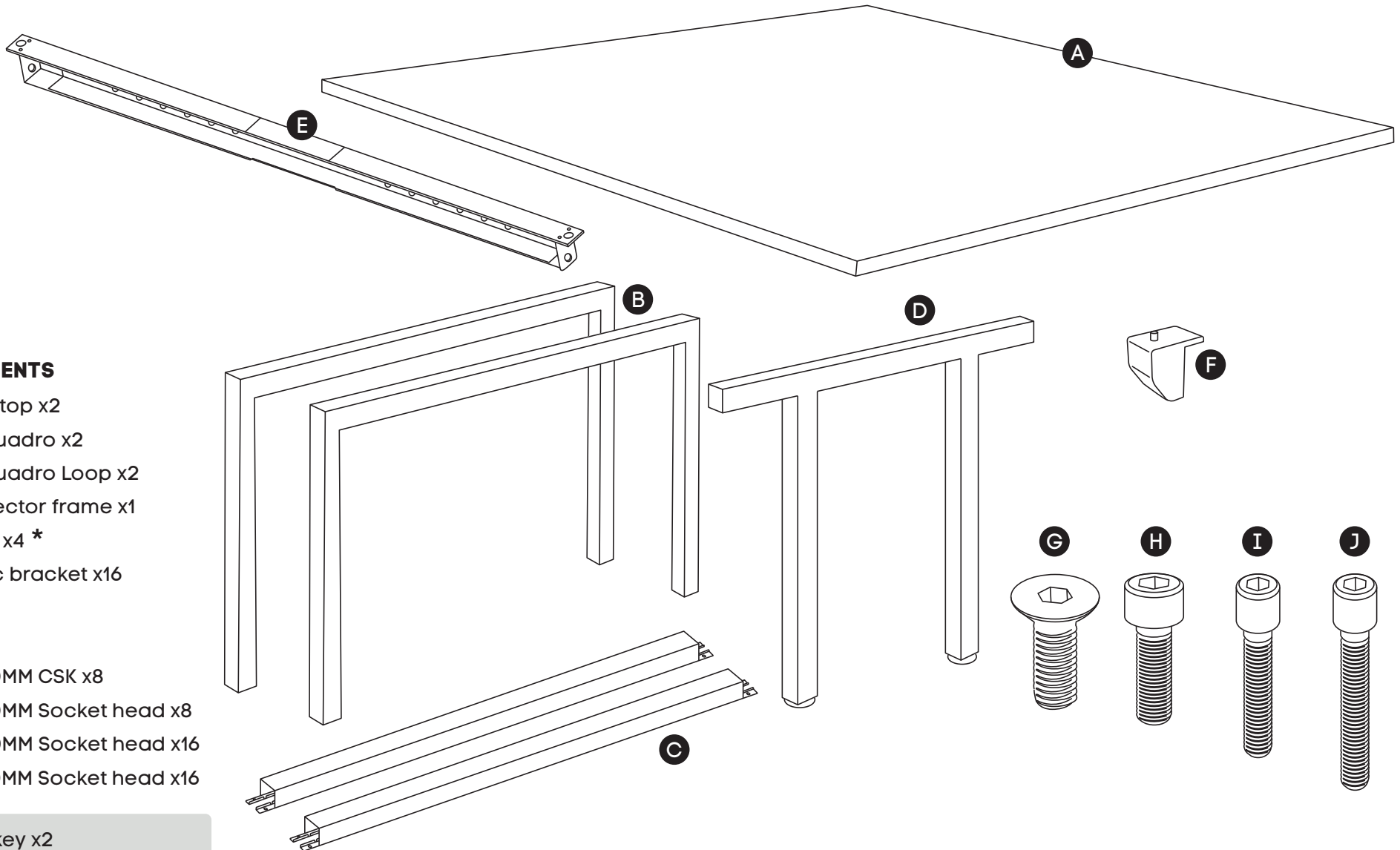
Quadro Loop Boardroom Frame

www.jasonl.com.au

Need help!

Call us on
1300 527 665

jason.l
your office furniture mate



COMPONENTS

- A Table top x2
- B Leg Quadro x2
- C Leg Quadro Loop x2
- D Connector frame x1
- E Beam x4 *
- F Plastic bracket x16

SCREWS

- G M8x20MM CSK x8
- H M8x20MM Socket head x8
- I M6x20MM Socket head x16
- J M6x30MM Socket head x16

K Allen key x2

* Colour of the beam is always black, regardless desk frame colour.

ASSEMBLY INSTRUCTIONS

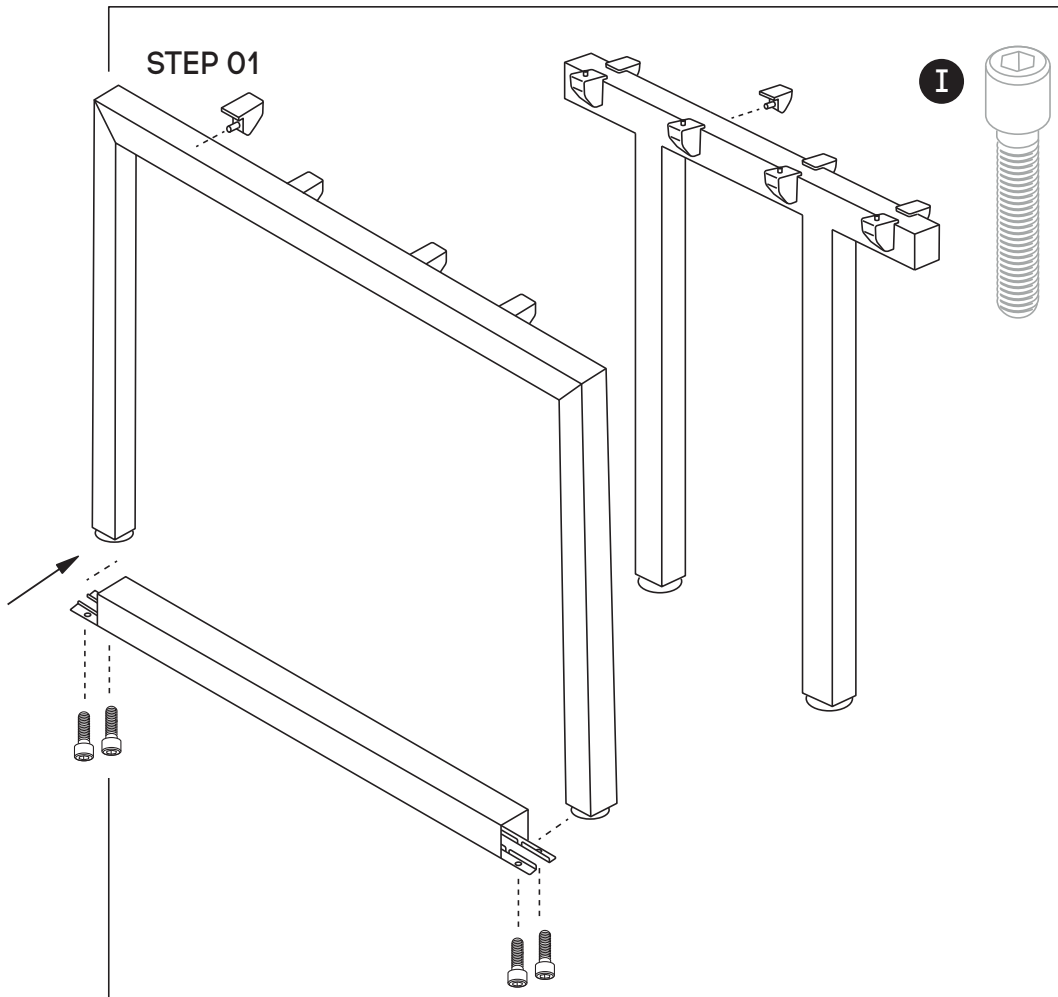
Quadro Loop Boardroom Frame

www.jasonl.com.au

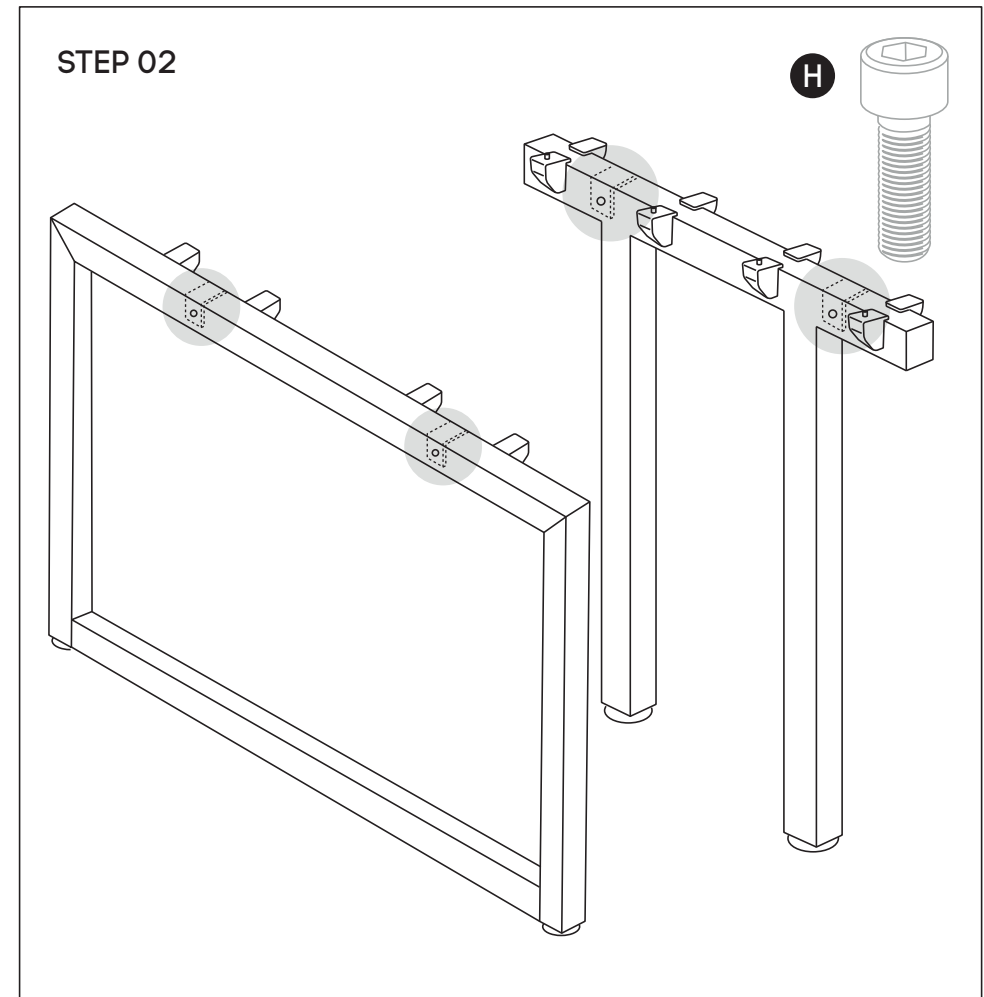
Need help!

Call us on
1300 527 665

jason.l
your office furniture mate



Using Allen Key provided, attach 4 plastic brackets per leg **(F)** (as per picture above) using M6x20MM **(I)** Socket head screw. Do the same with Connector frame **(D)**. Connect Loop Legs **(C)** to Bottom of Quadro Legs **(B)** by using 4 bolts per leg.



Using Allen Key provided, attach M8x20MM Socket head **(H)**-screw socket half way into leg for both legs **(B)** and into Connector frame **(D)**.

ASSEMBLY INSTRUCTIONS

Quadro Loop Boardroom Frame

www.jasonl.com.au

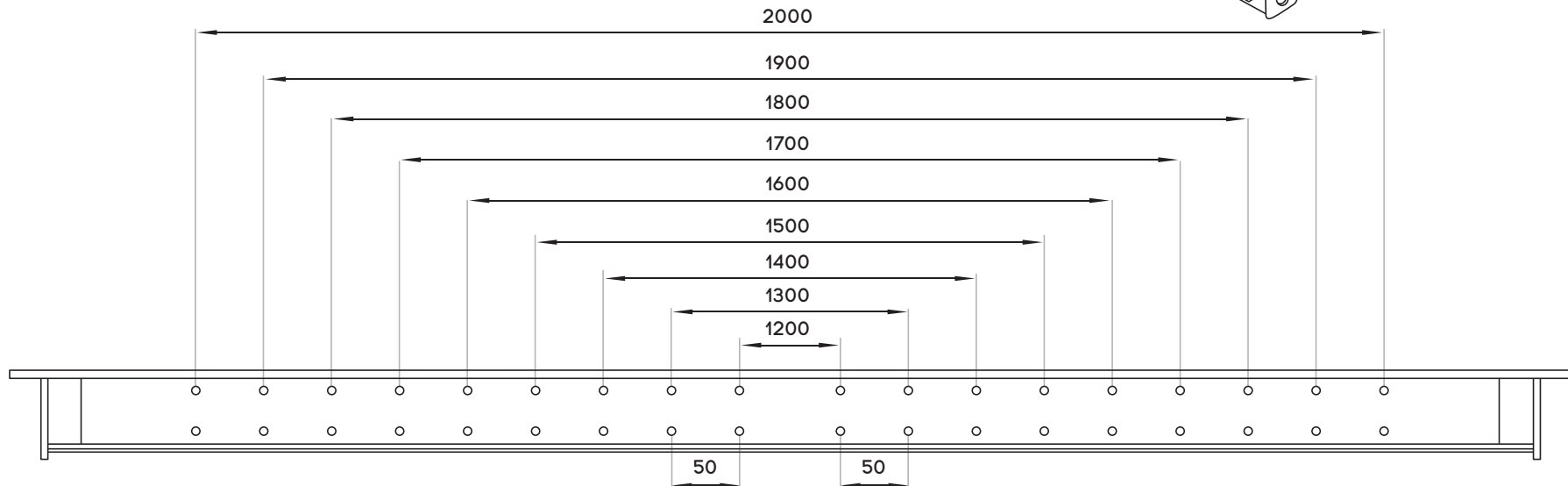
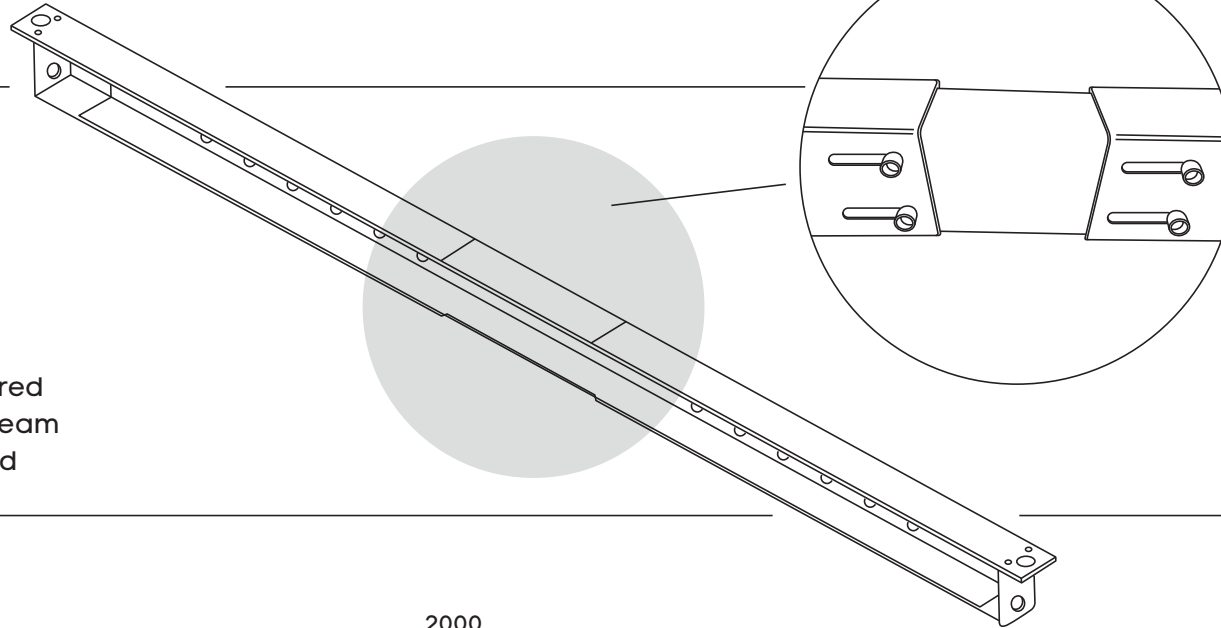
Need help!
Call us on
1300 527 665

jason.l
your office furniture mate



STEP 03

Adjust extendable beam (E) to desired length using markers and secure beam at that length using screws provided



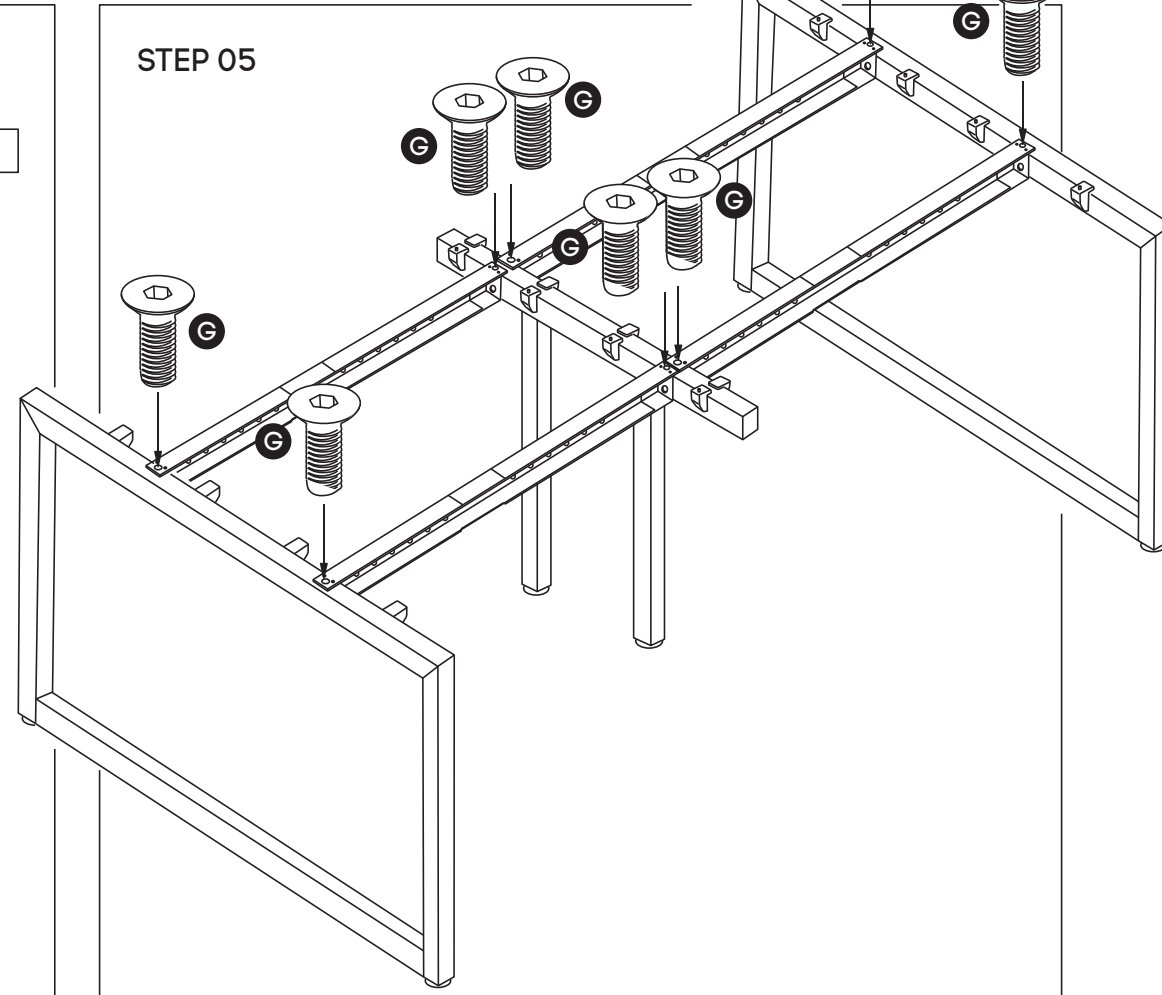
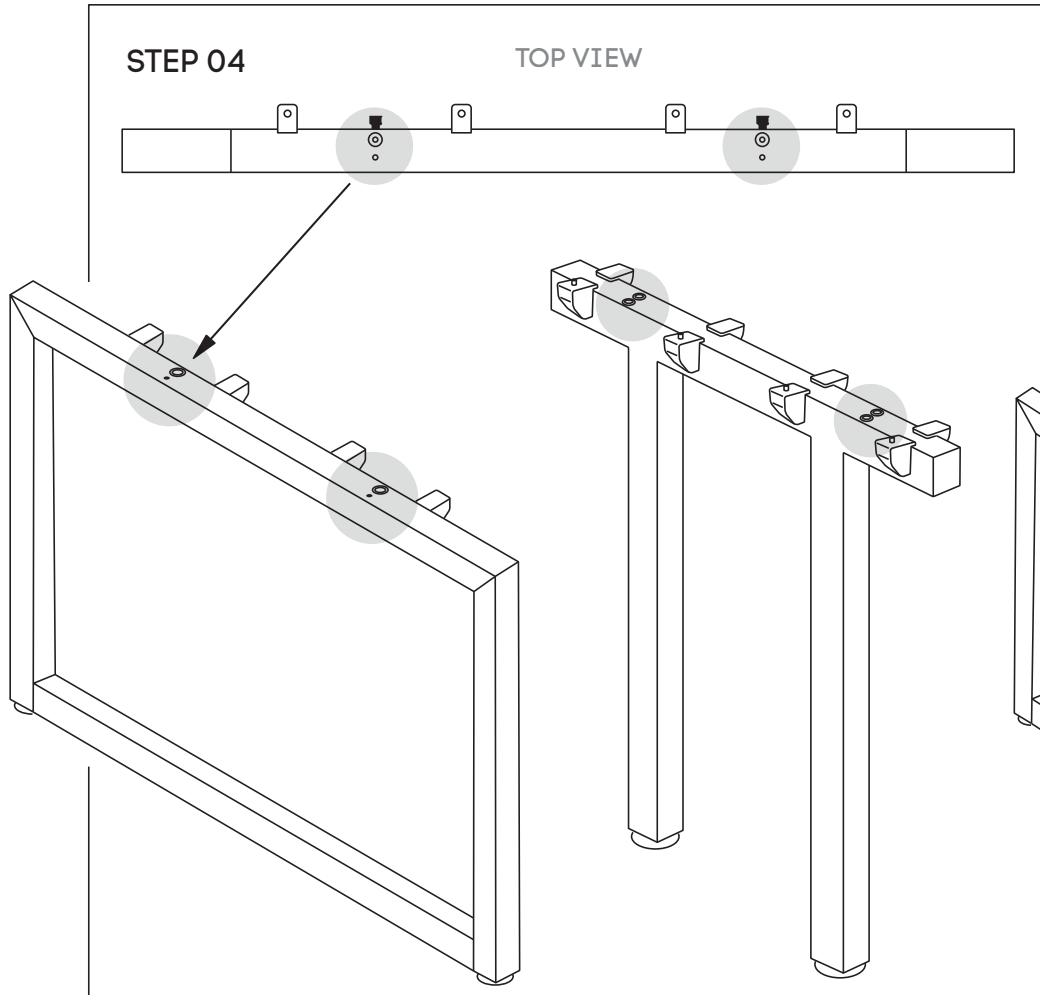
ASSEMBLY INSTRUCTIONS

Quadro Loop Boardroom Frame

www.jasonl.com.au

Need help!
Call us on
1300 527 665

jason.l
your office furniture mate



ASSEMBLY INSTRUCTIONS

Quadro Loop Boardroom Frame

www.jasonl.com.au

Need help!
Call us on
1300 527 665

jason.l
your office furniture mate



STEP 06

