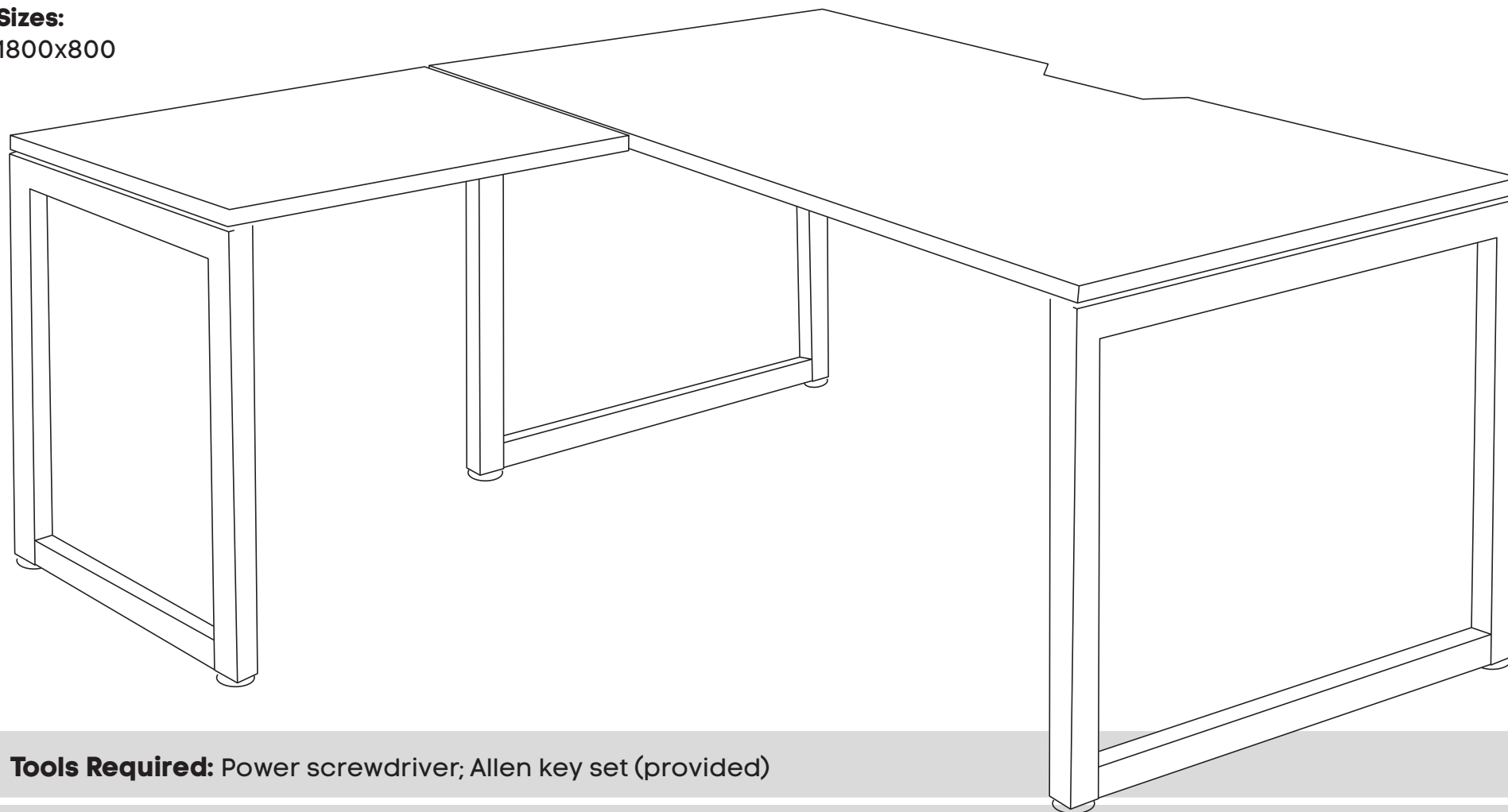



# Quadro Loop L-Shaped Desk

**Sizes:**  
1800x800



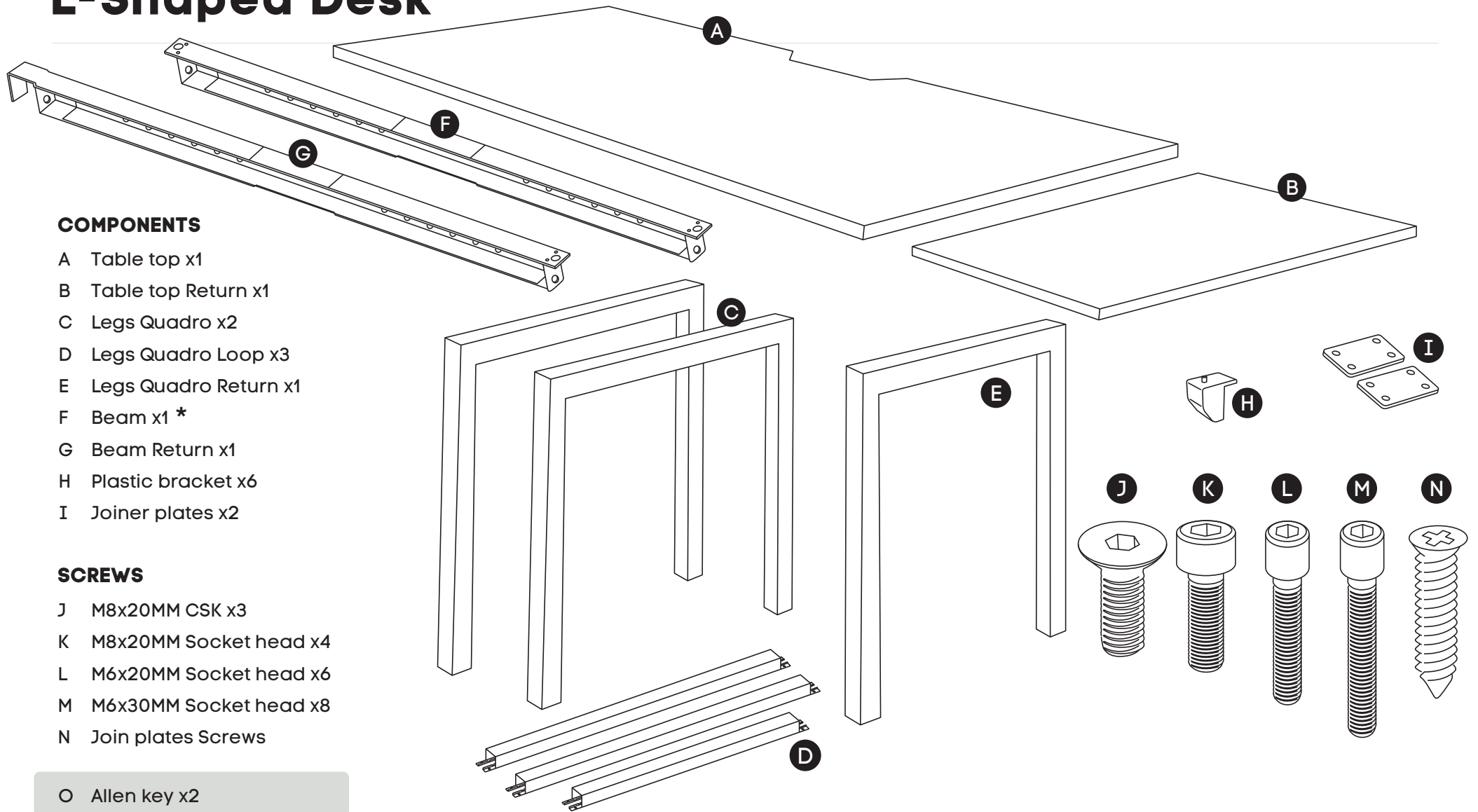
**Tools Required:** Power screwdriver; Allen key set (provided)

 2 persons required for installation

**Need help!**

Call us on **1300 527 665**

# Quadro Loop L-Shaped Desk



## COMPONENTS

- A Table top x1
- B Table top Return x1
- C Legs Quadro x2
- D Legs Quadro Loop x3
- E Legs Quadro Return x1
- F Beam x1 \*
- G Beam Return x1
- H Plastic bracket x6
- I Joiner plates x2

## SCREWS

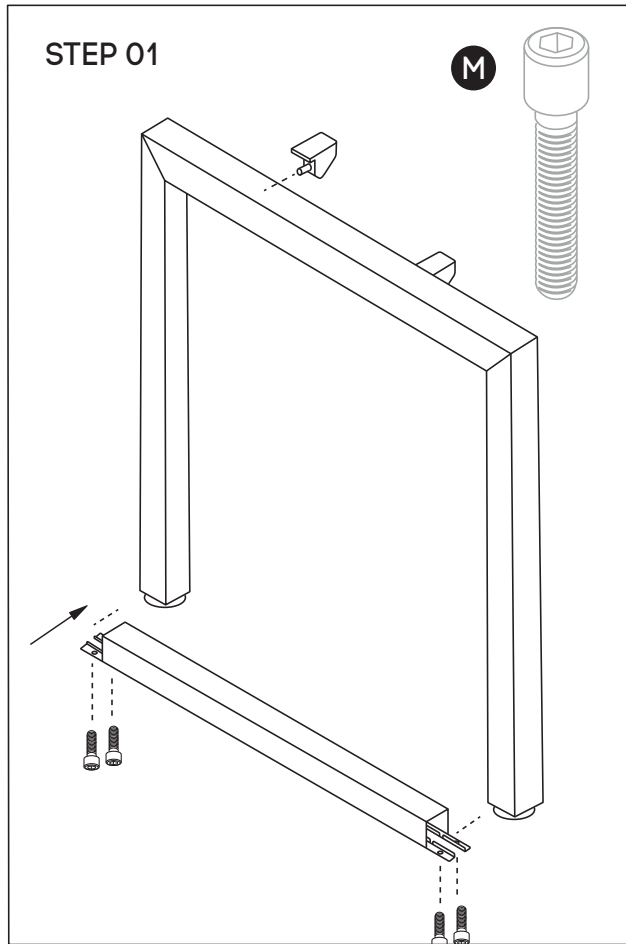
- J M8x20MM CSK x3
- K M8x20MM Socket head x4
- L M6x20MM Socket head x6
- M M6x30MM Socket head x8
- N Join plates Screws

O Allen key x2

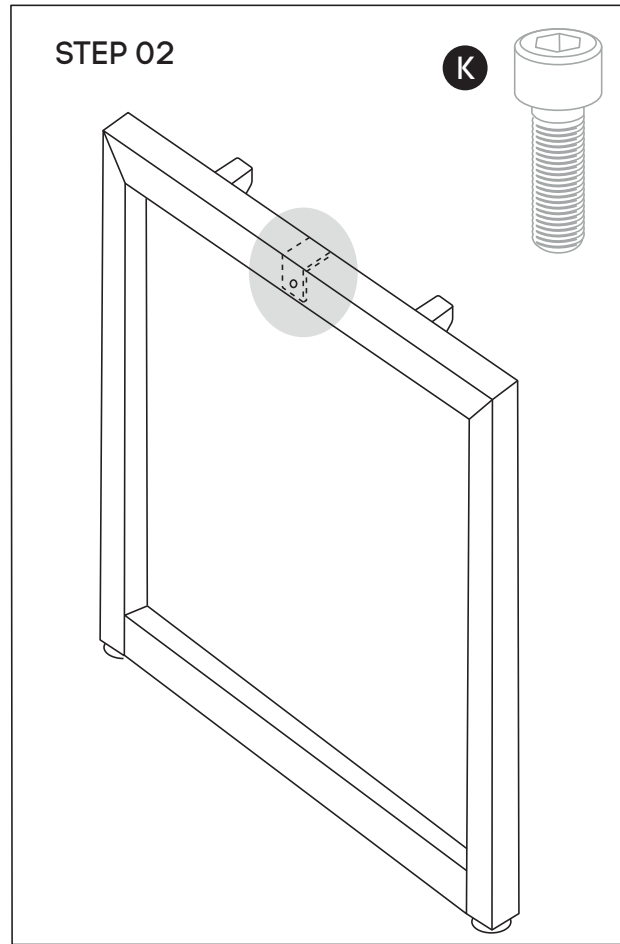
\* Colour of the beam is always black, regardless desk frame colour.

**Need help!** Call us on **1300 527 665**

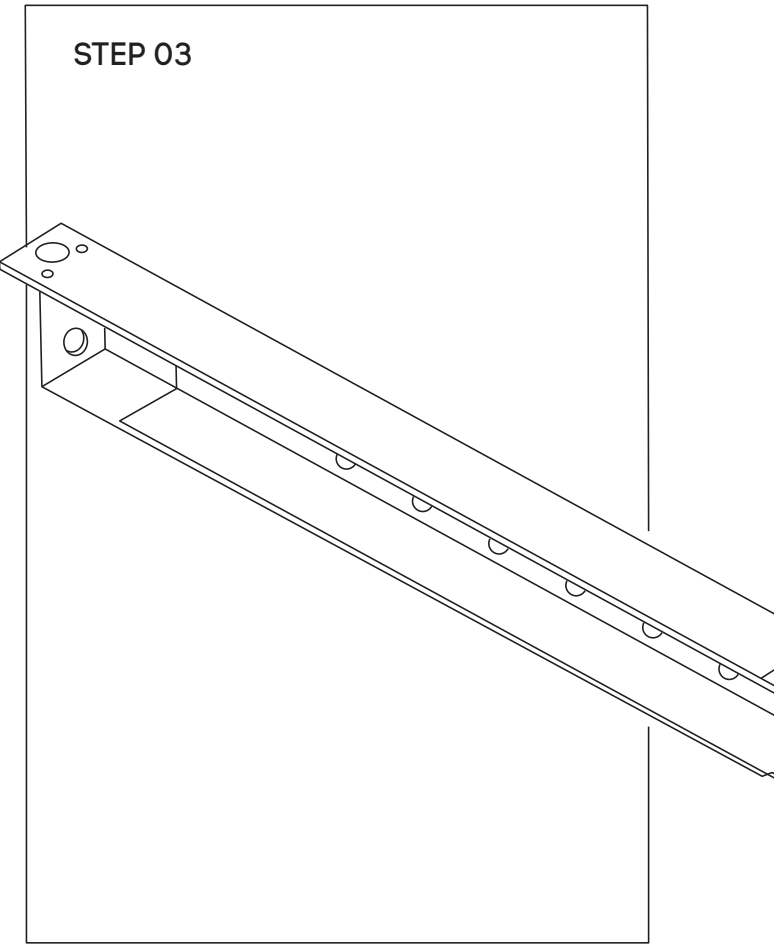
# Quadro Loop L-Shaped Desk



Using Allen Key provided, attach 2 plastic brackets per leg **(H)** (as per picture above) using M6x20MM **(M)** Socket head screw. Connect Loop Legs **(C)** to Bottom of Quadro Legs **(D)** by using 4 bolts per leg.



Using Allen Key provided, attach M8x20MM Socket head **(K)**- screw socket half way into leg for both legs **(C)**

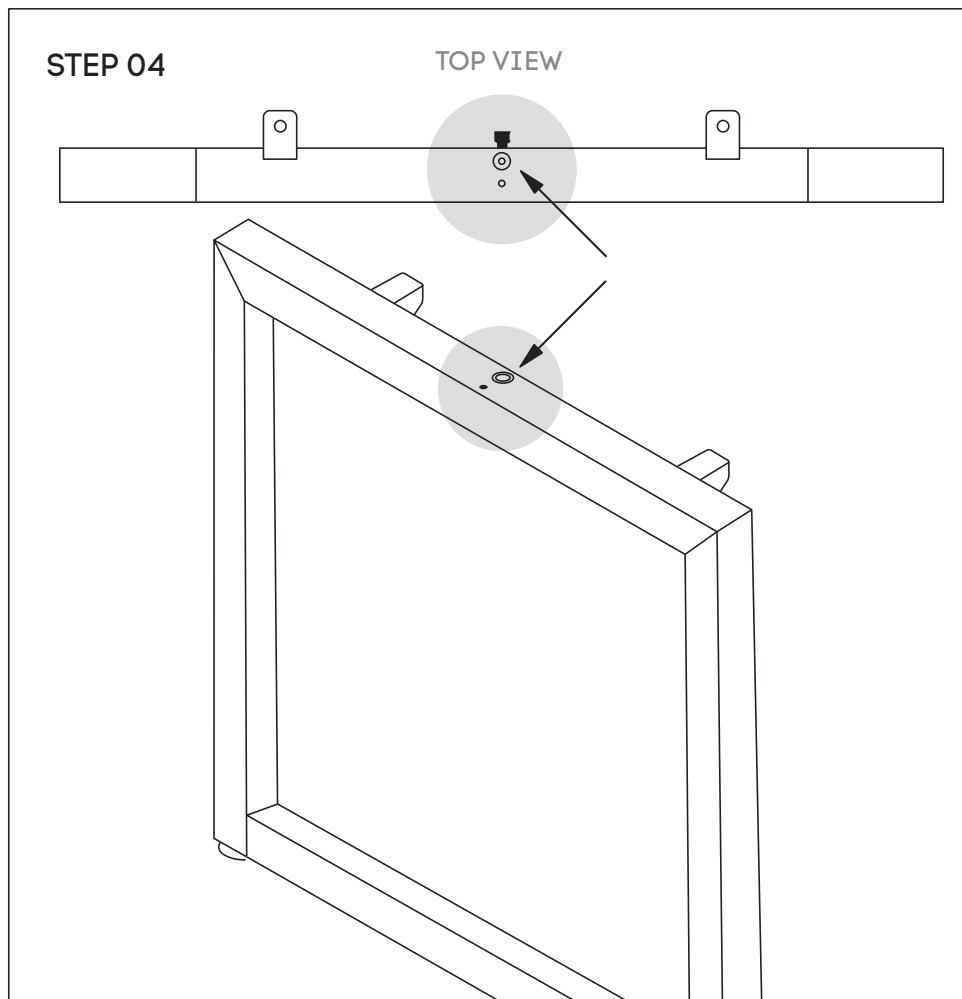


Use fixed beam **(F)** and secure beam using screws provided.

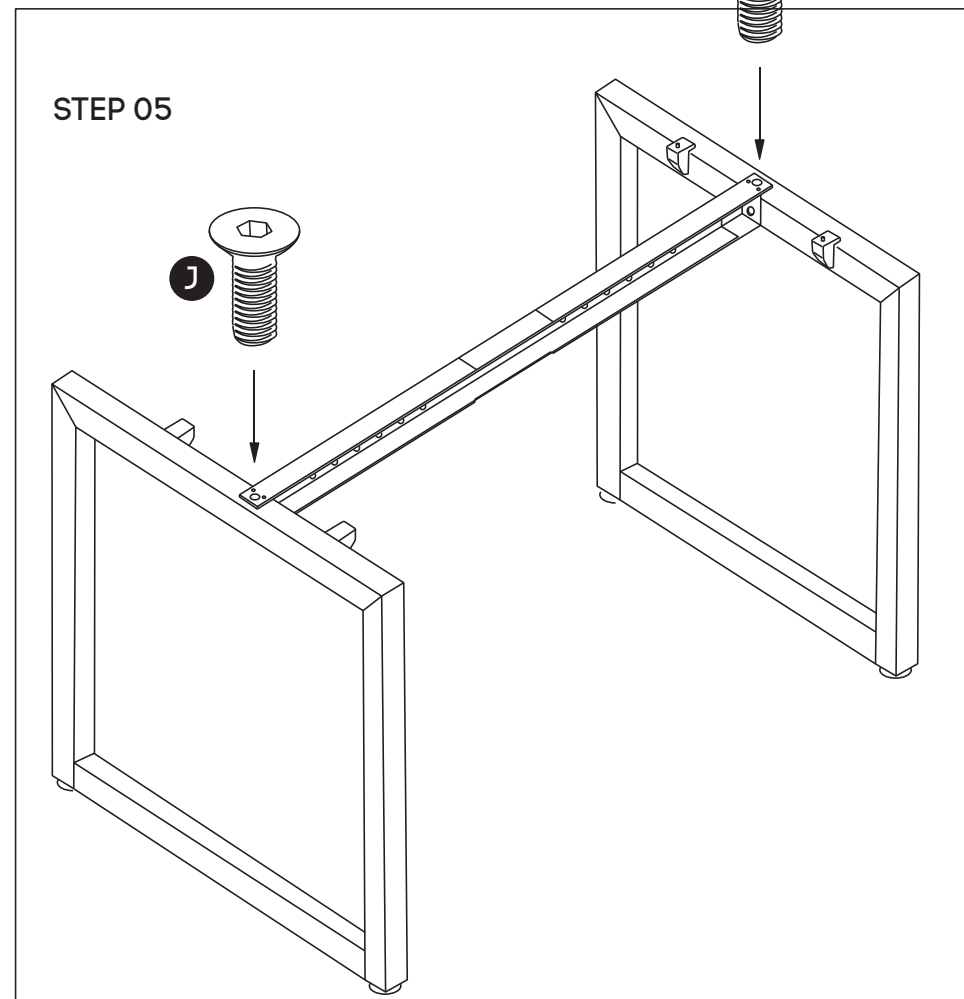
**Need help!**

Call us on **1300 527 665**

# Quadro Loop L-Shaped Desk

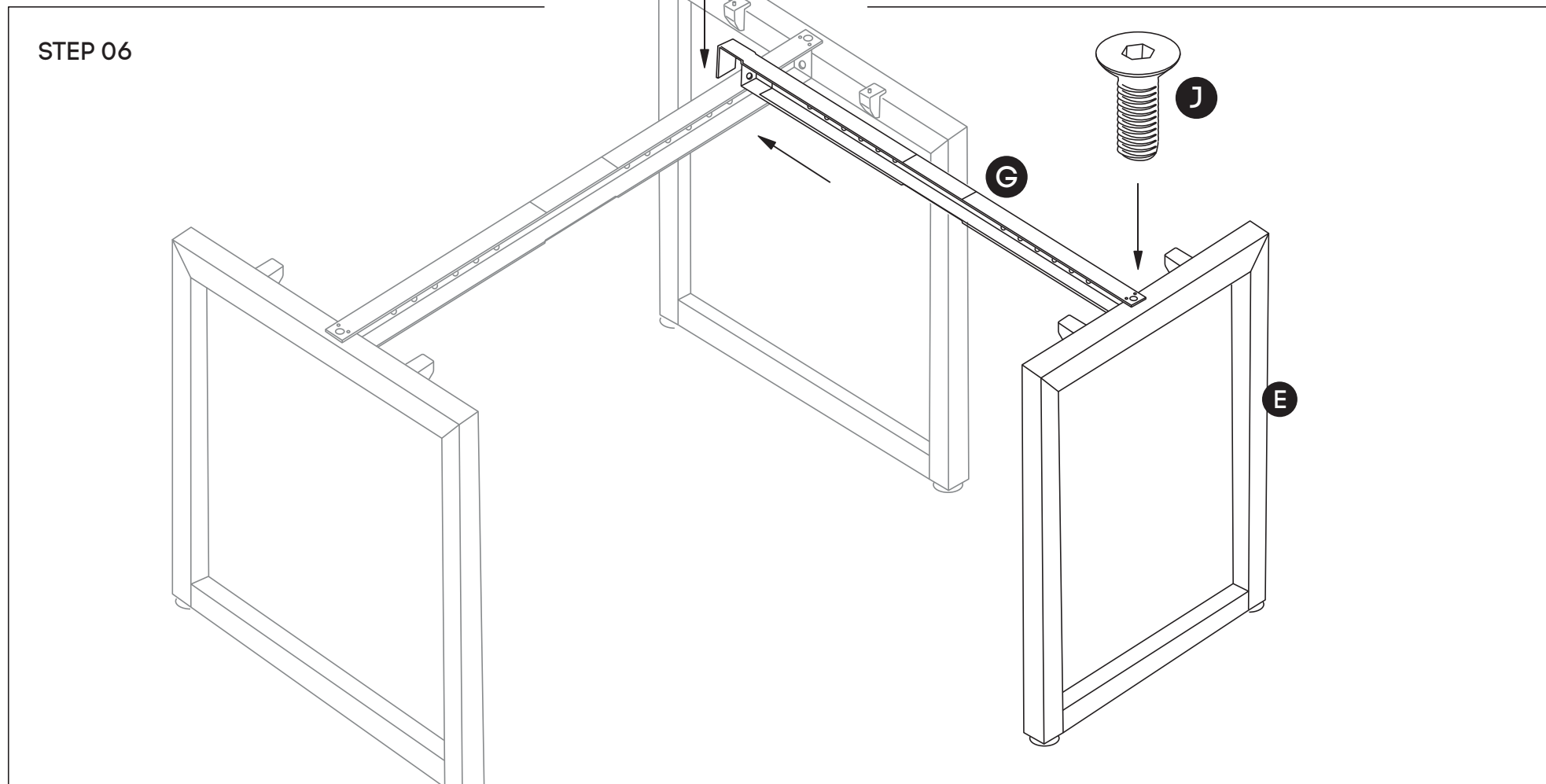


Attach beam (F) to legs (C) using nut insert in legs.  
See point attached



Frame looks like this. Using Allen Key, attach beam (F) with Socket (J)

# Quadro Loop L-Shaped Desk



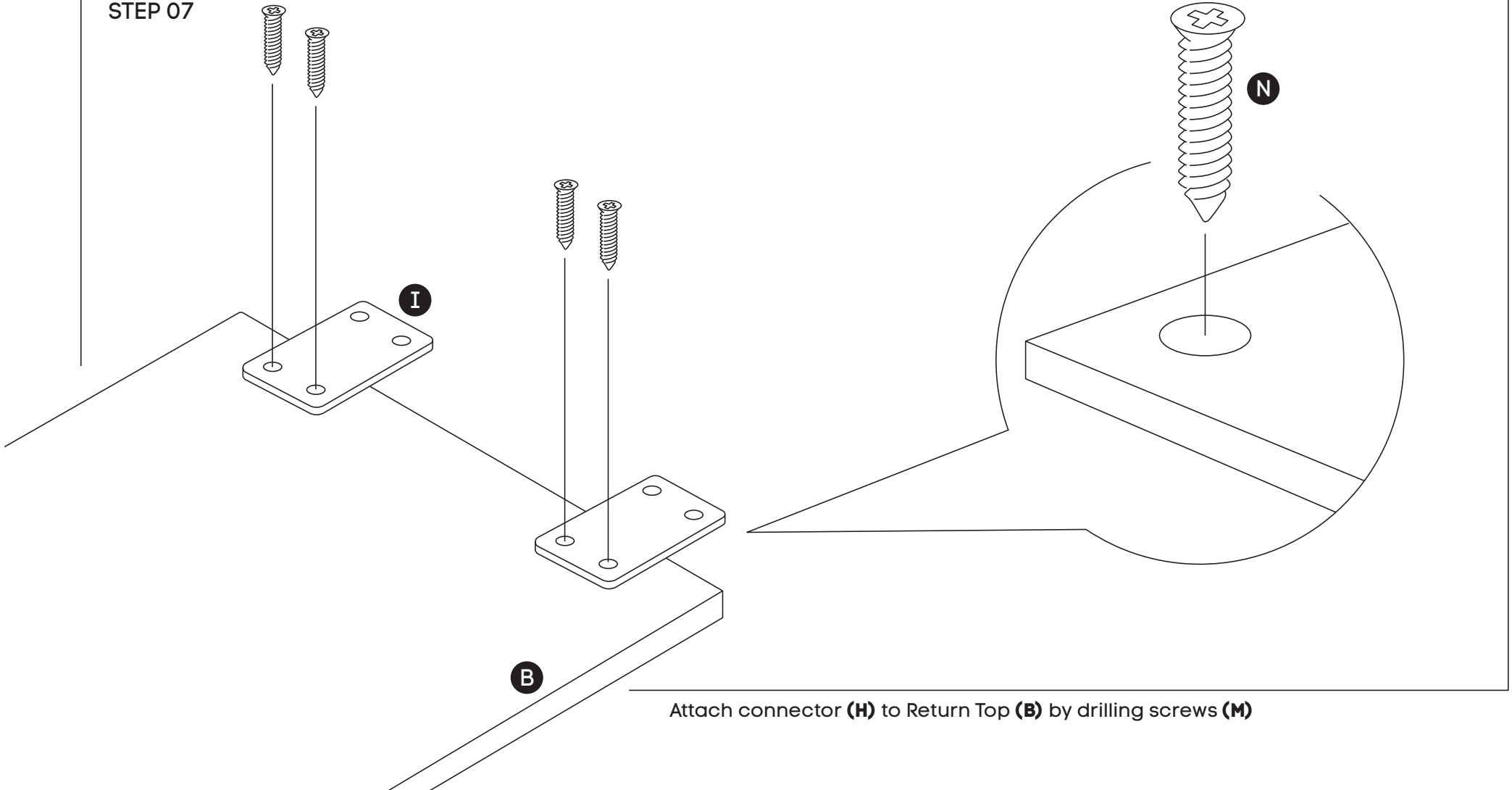
Now attach the return beam **(G)** to return leg **(E)** using nut insert in legs. See point attached.  
Then, connect the hook of the return beam to the beam of the main structure.

**Need help!**

Call us on **1300 527 665**

# Quadro Loop L-Shaped Desk

STEP 07

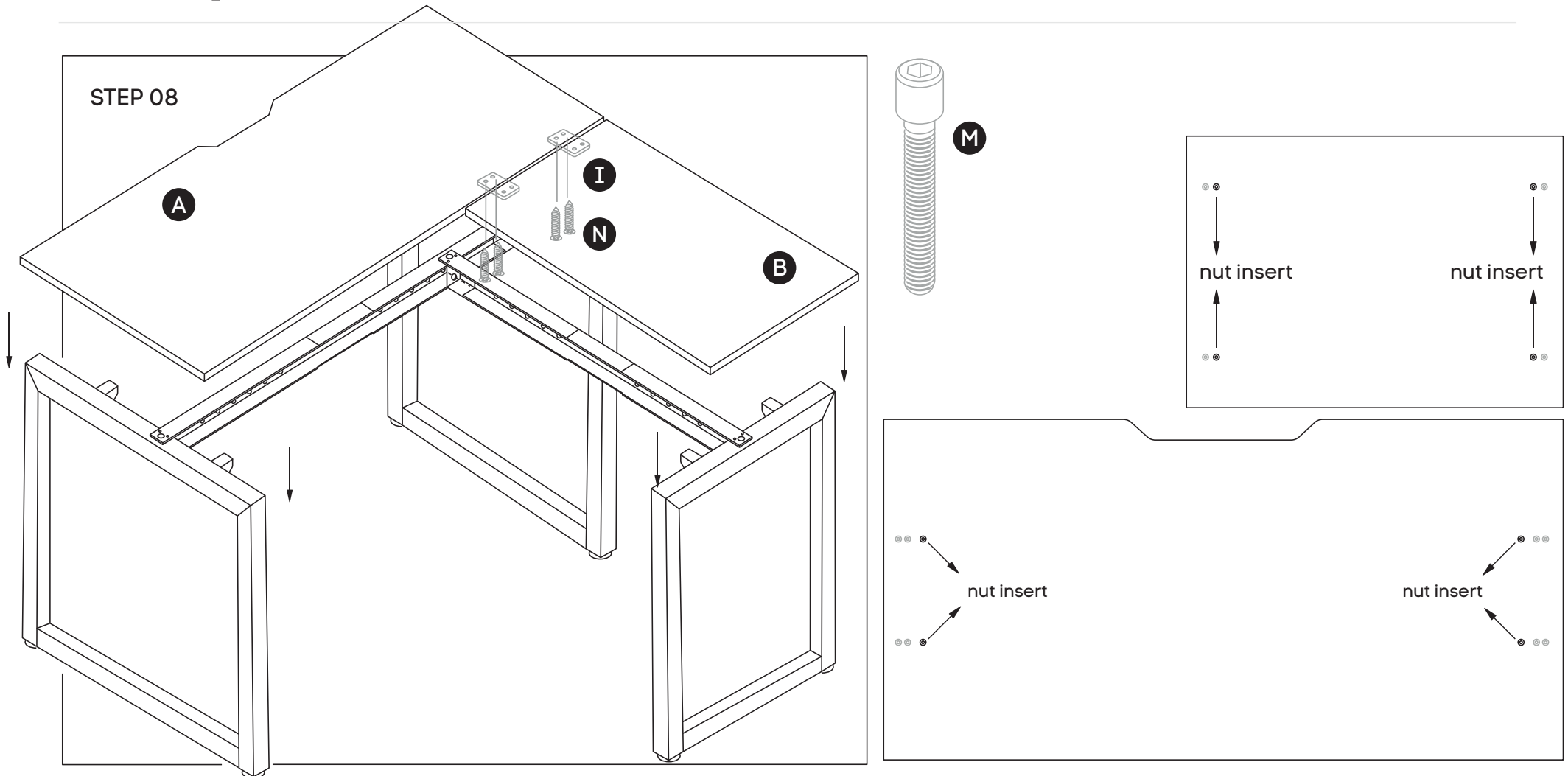


Attach connector (H) to Return Top (B) by drilling screws (M)

**Need help!**

Call us on **1300 527 665**

# Quadro Loop L-Shaped Desk



Place table top **(A)** on top of frame - with cutout at the back of the desk. Using nut inserts in the desk, use M6x30mm socket **(M)** and attach desktop to the frame. Using nut inserts in the desktop, use M6x30mm socket **(M)** and attach desktop **(B)** to the frame. Once desktop are attached and secure to the frame, use woods screws and secure joiner plates to the underside of desktop A.

**Need help!** Call us on **1300 527 665**