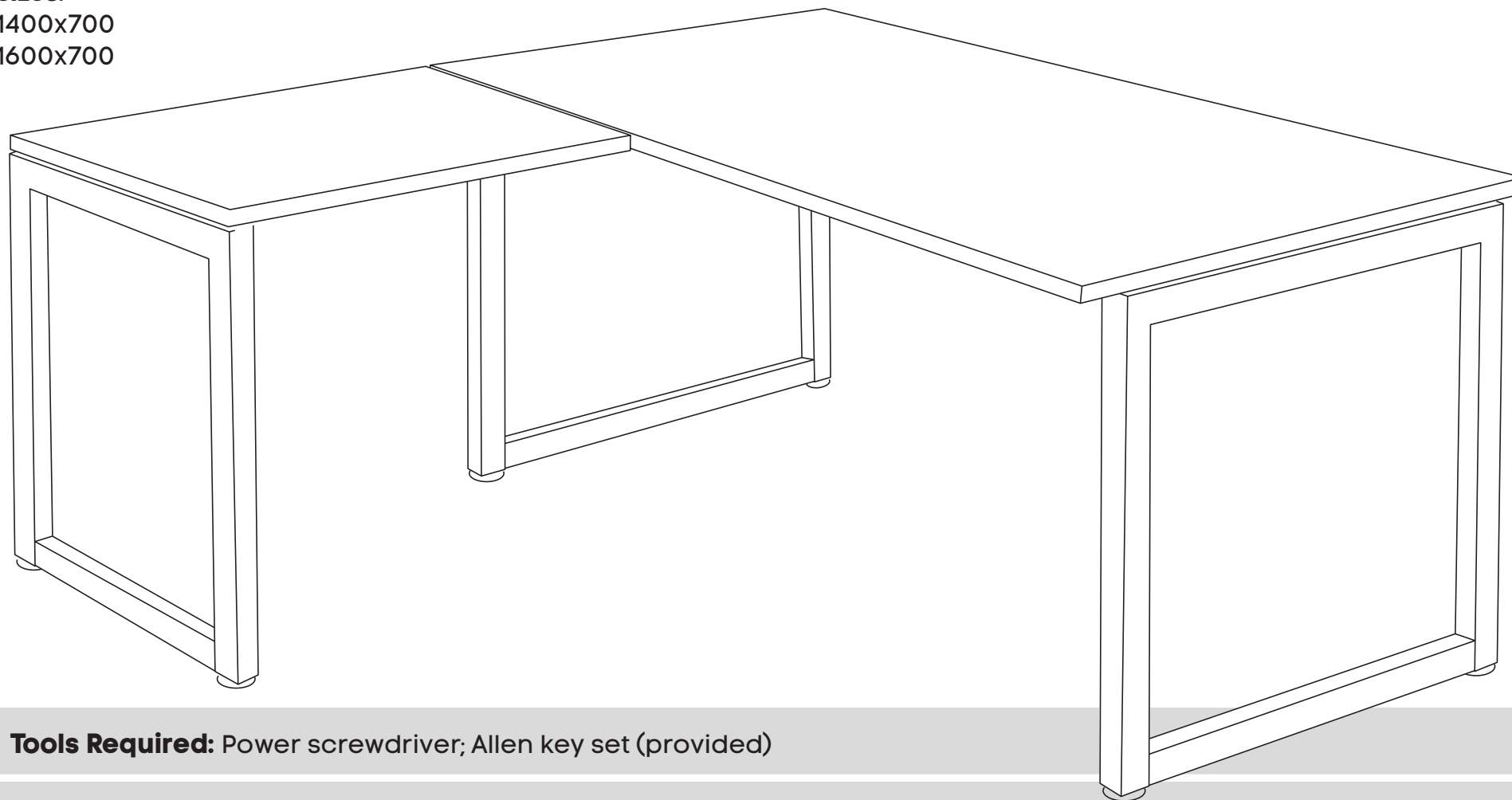


# Quadro Loop L-Shaped Desk


**Sizes:**

1400x700

1600x700



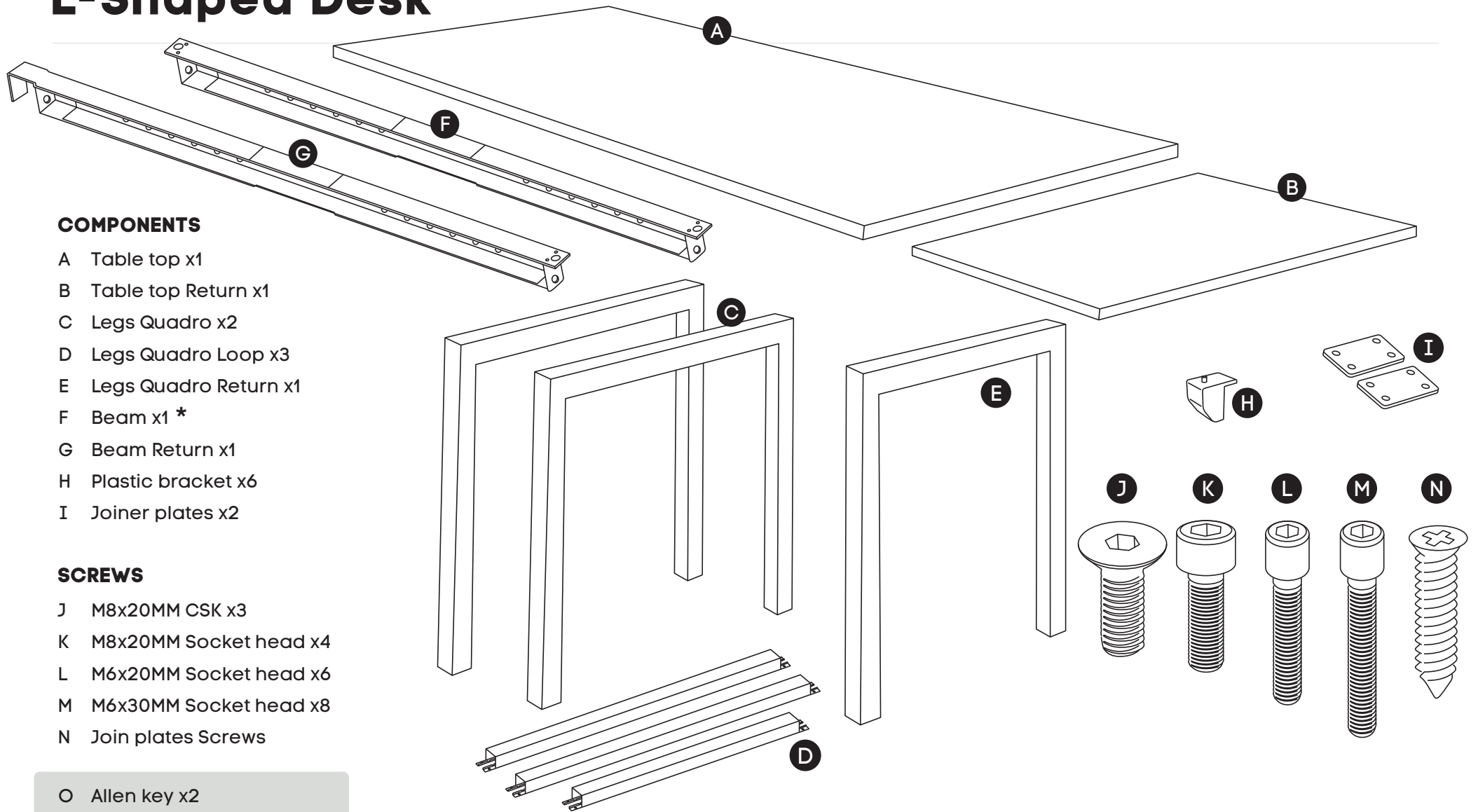
**Tools Required:** Power screwdriver; Allen key set (provided)

 2 persons required for installation

**Need help!**

Call us on **1300 527 665**

# Quadro Loop L-Shaped Desk



## COMPONENTS

- A Table top x1
- B Table top Return x1
- C Legs Quadro x2
- D Legs Quadro Loop x3
- E Legs Quadro Return x1
- F Beam x1 \*
- G Beam Return x1
- H Plastic bracket x6
- I Joiner plates x2

## SCREWS

- J M8x20MM CSK x3
- K M8x20MM Socket head x4
- L M6x20MM Socket head x6
- M M6x30MM Socket head x8
- N Join plates Screws

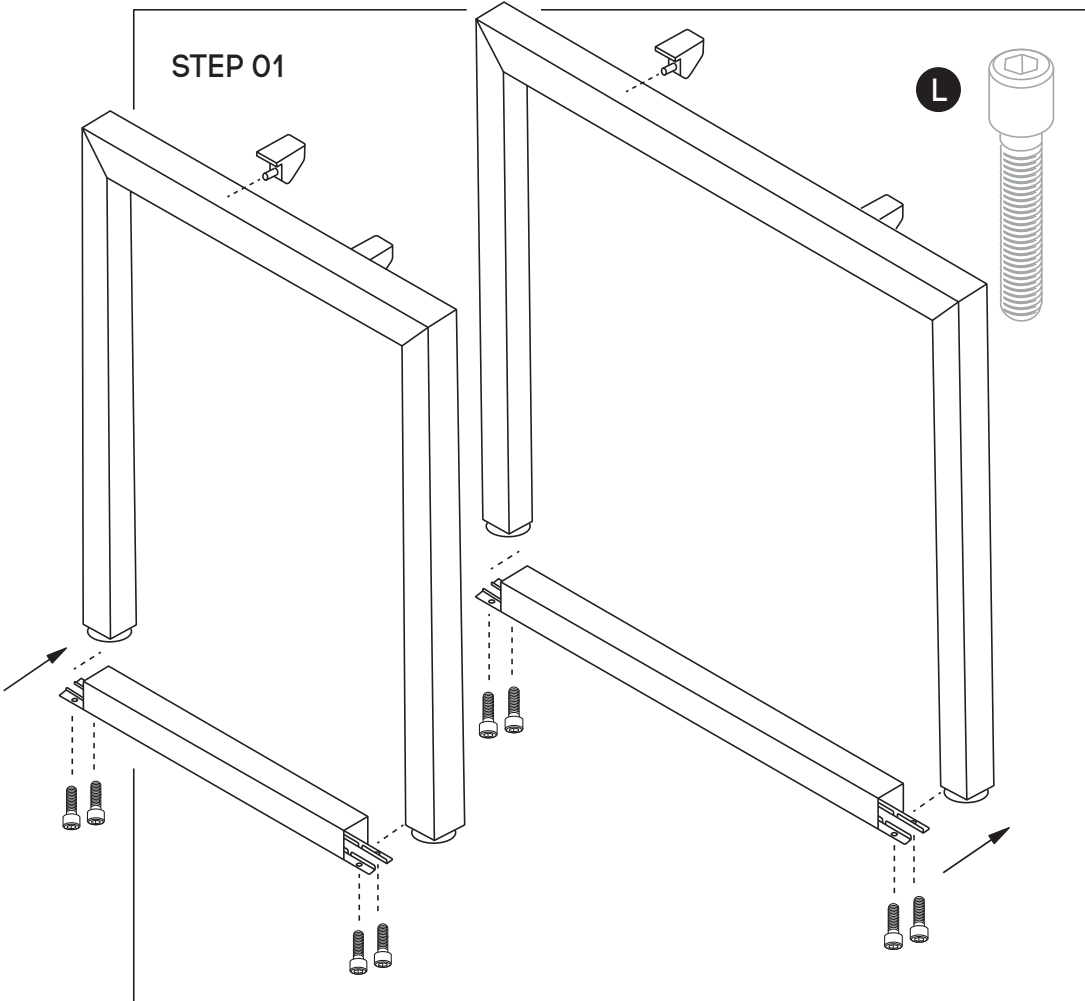
O Allen key x2

\* Colour of the beam is always black, regardless desk frame colour.

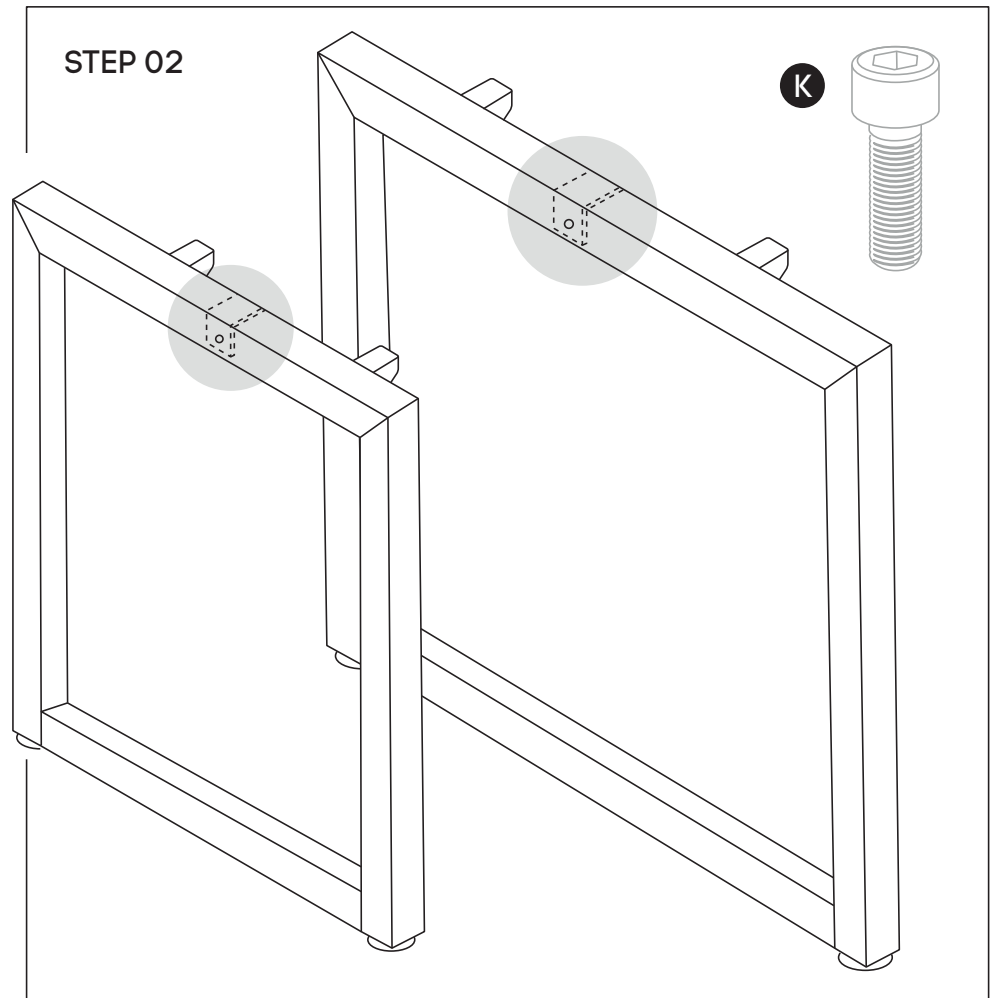
**Need help!**

Call us on **1300 527 665**

# Quadro Loop L-Shaped Desk



Using Allen Key provided, attach 2 plastic brackets (H) per legs (C & E) (as per picture above) using M6x20MM (L) Socket head screw. Connect Loop Legs (D) to Bottom of Quadro Legs (C & E) by using 4 bolts per leg.



Using Allen Key provided, attach M8x20MM Socket head (K)-screw socket half way into leg for three legs (C & E)

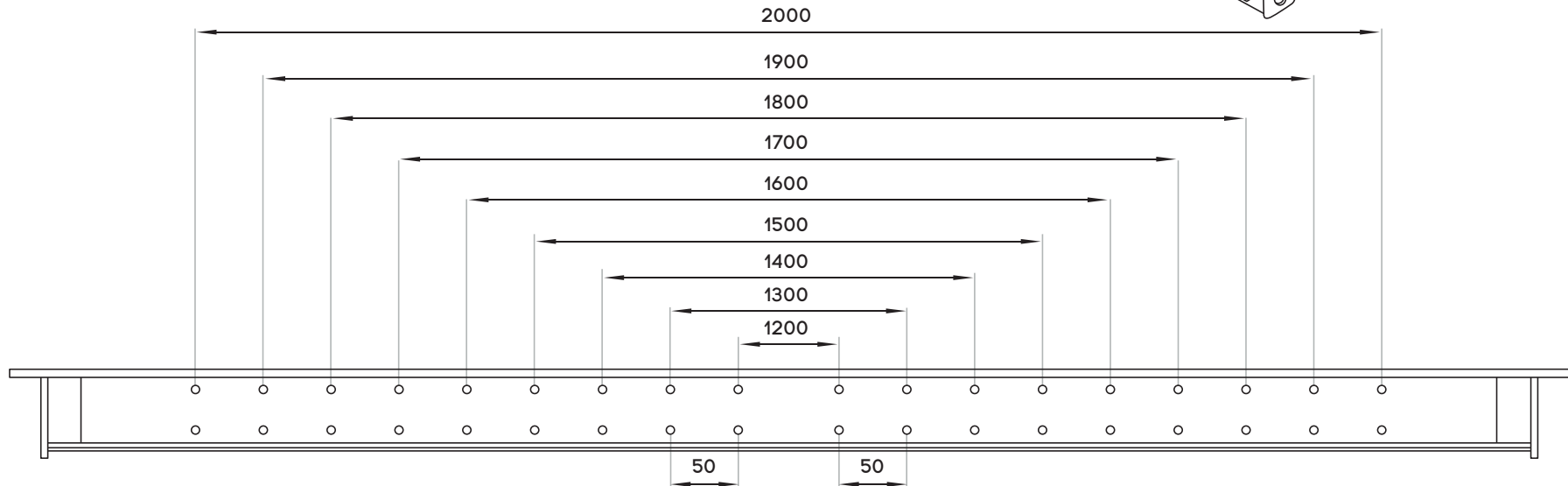
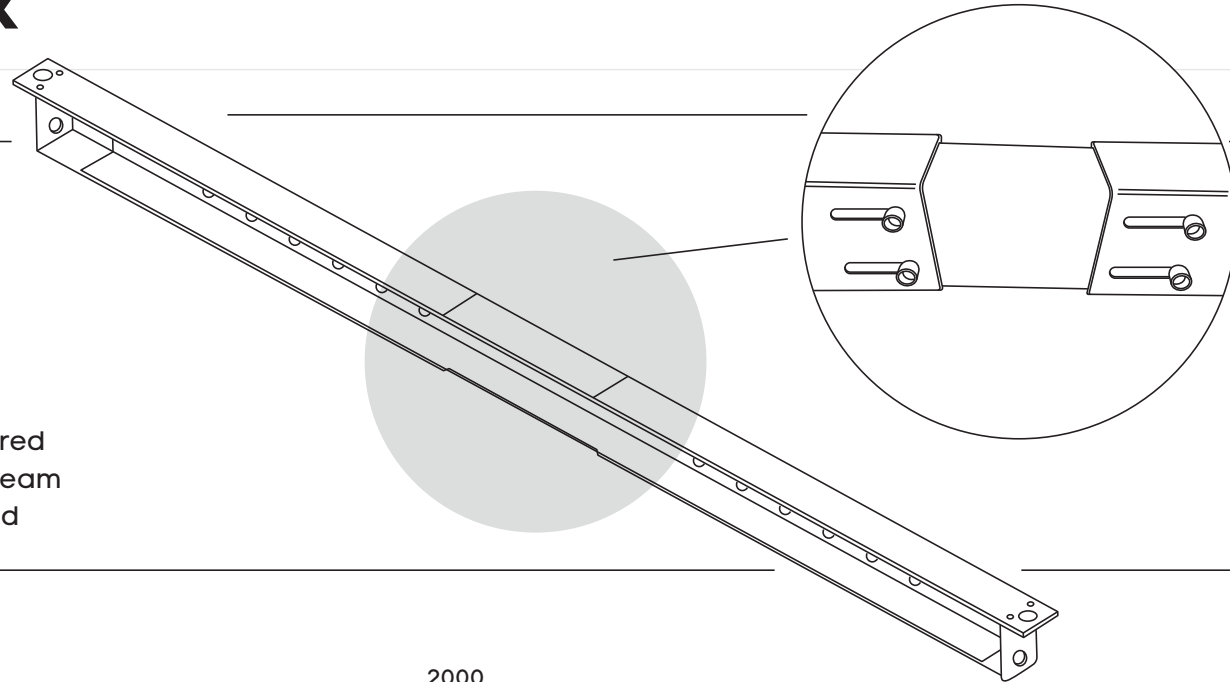
**Need help!**

Call us on **1300 527 665**

# Quadro Loop L-Shaped Desk

## STEP 03

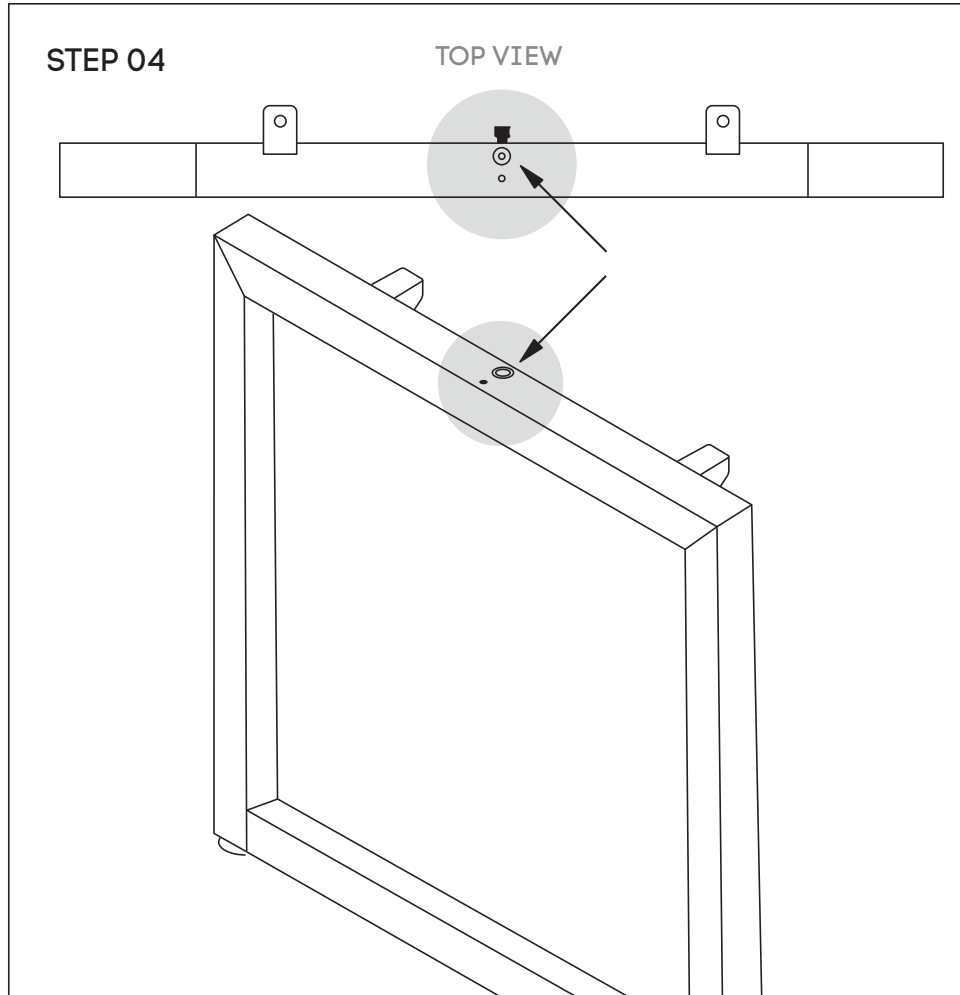
Adjust extendable beam (F) to desired length using markers and secure beam at that length using screws provided



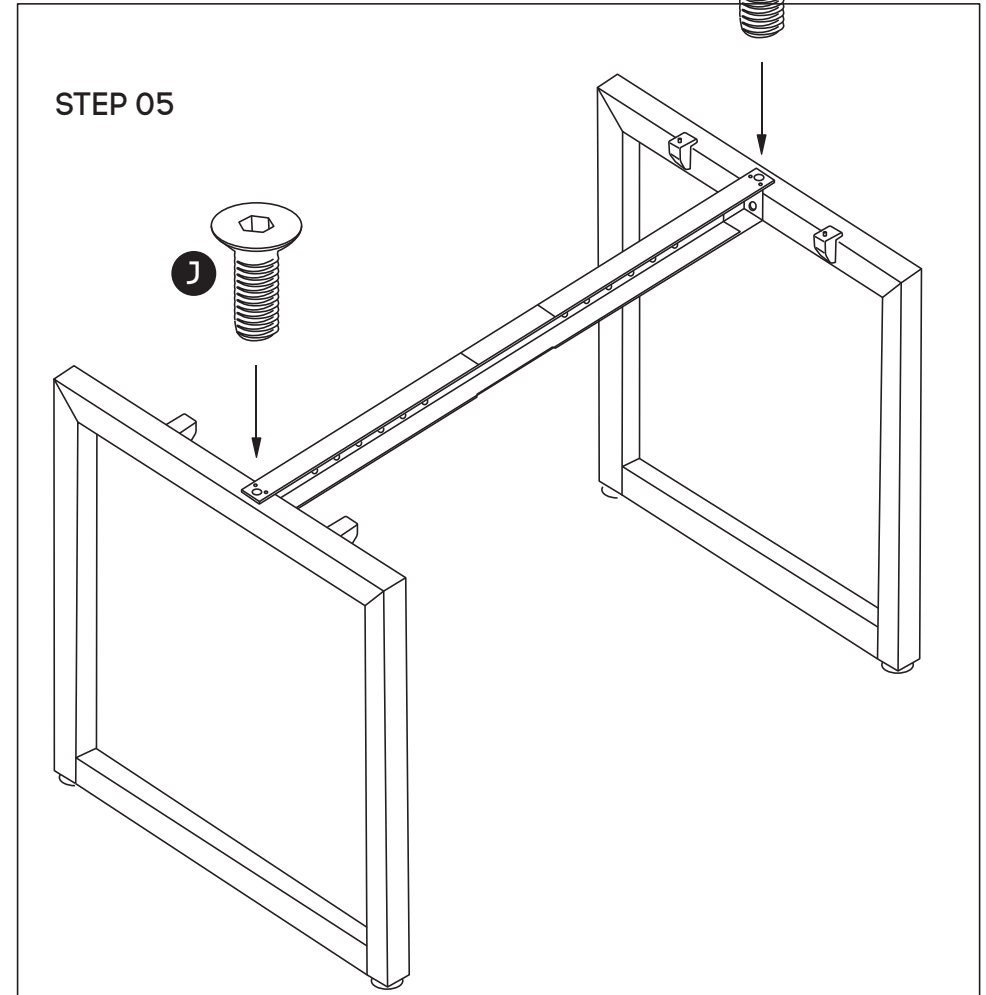
**Need help!**

Call us on **1300 527 665**

# Quadro Loop L-Shaped Desk



Attach beam **(F)** to legs **(C)** using nut insert in legs.  
See point attached

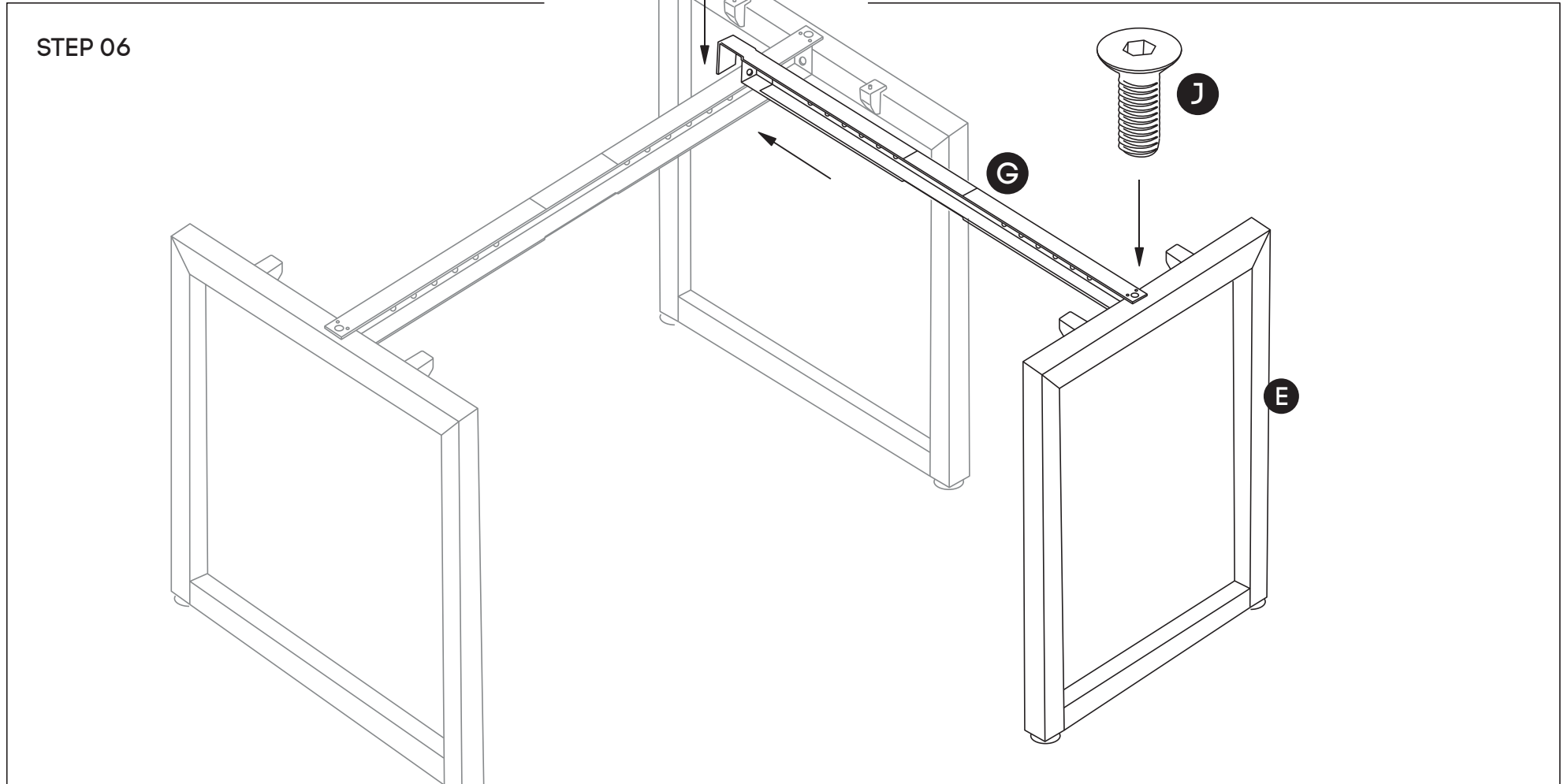


Frame looks like this. Using Allen Key, attach beam **(F)** with Socket **(J)**

**Need help!**

Call us on **1300 527 665**

# Quadro Loop L-Shaped Desk



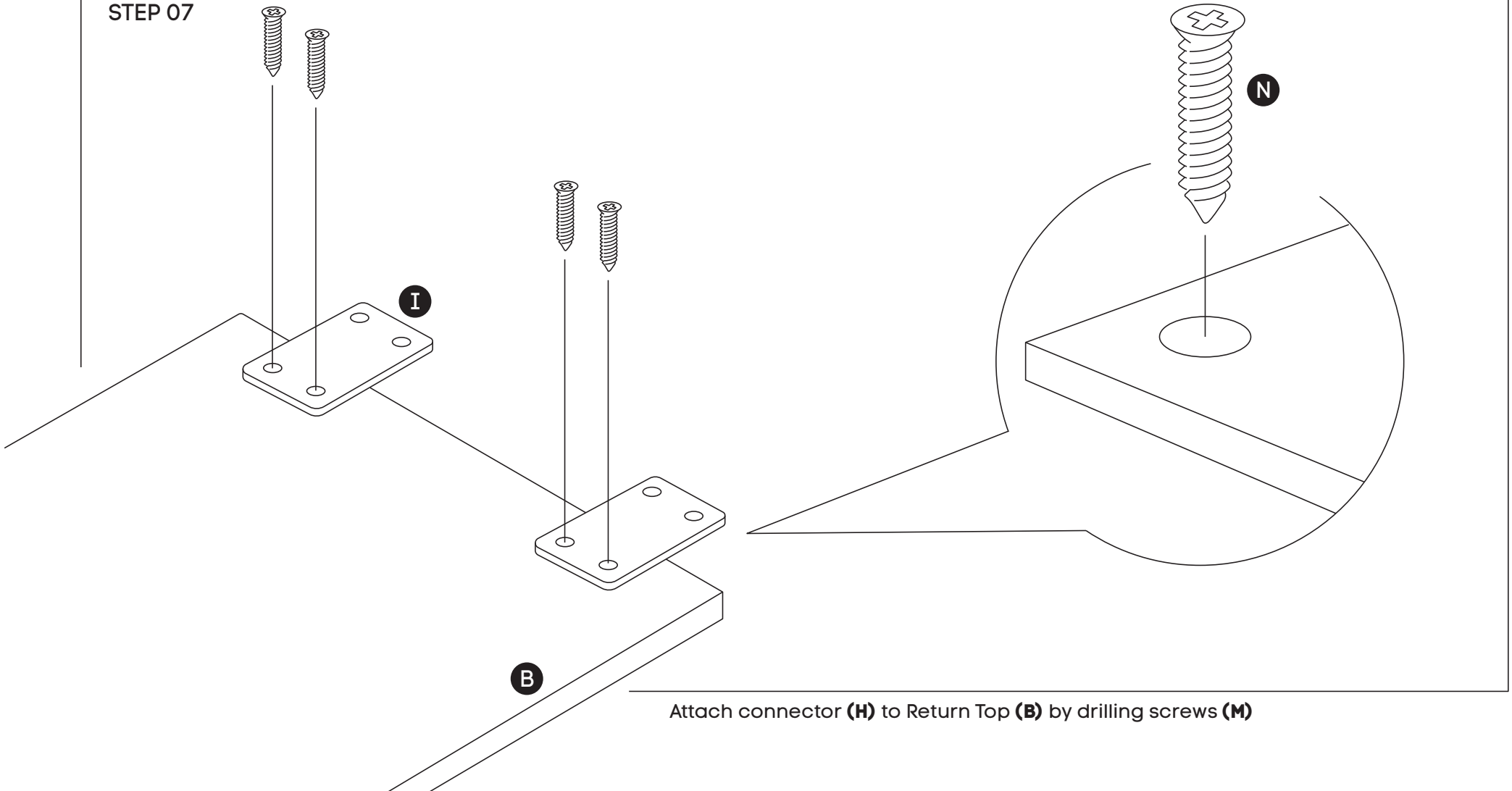
Now attach the return beam **(G)** to return leg **(E)** using nut insert in legs. See point attached.  
Then, connect the hook of the return beam to the beam of the main structure.

**Need help!**

Call us on **1300 527 665**

# Quadro Loop L-Shaped Desk

STEP 07

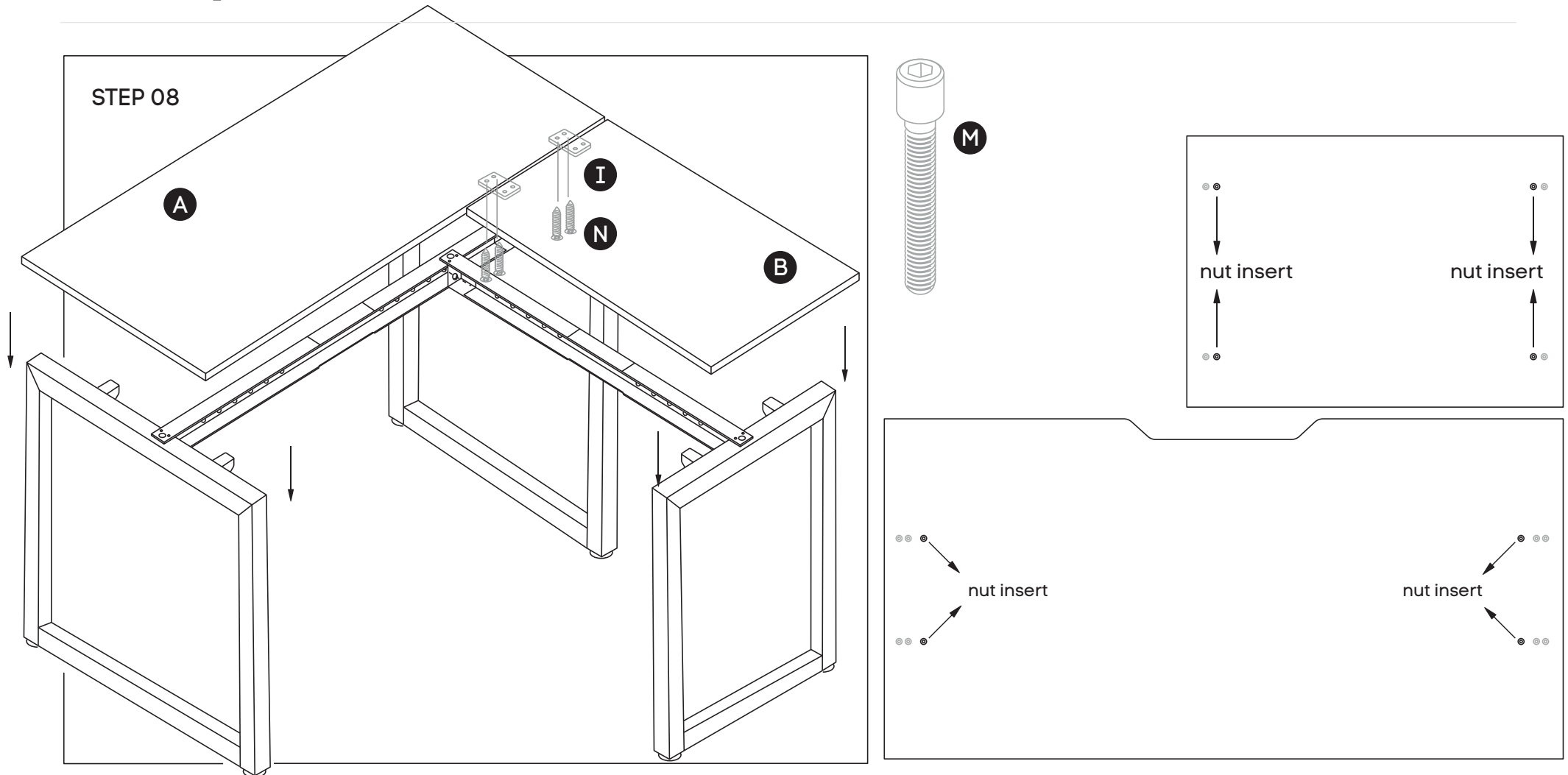


Attach connector (H) to Return Top (B) by drilling screws (M)

**Need help!**

Call us on **1300 527 665**

# Quadro Loop L-Shaped Desk



Place table top **(A)** on top of frame - with cutout at the back of the desk. Using nut inserts in the desk, use M6x30mm socket **(M)** and attach desktop to the frame. Using nut inserts in the desktop, use M6x30mm socket **(M)** and attach desktop **(B)** to the frame. Once desktop are attached and secure to the frame, use woods screws and secure joiner plates to the underside of desktop A.

TABLE TOP  
BOTTOM VIEW

**Need help!** Call us on **1300 527 665**