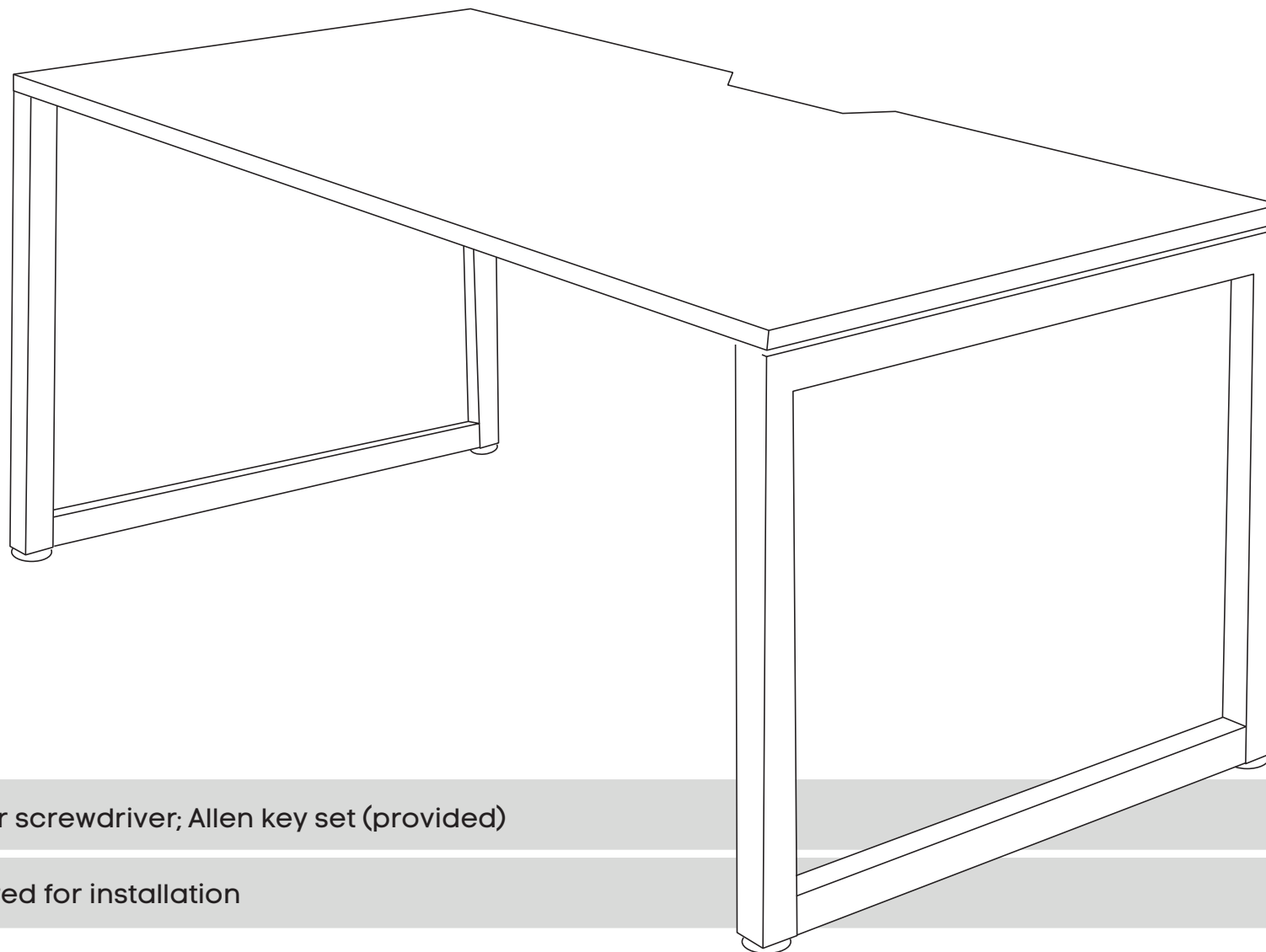


# Quadro Loop Desk


**Sizes:**

1400x800

1600x800



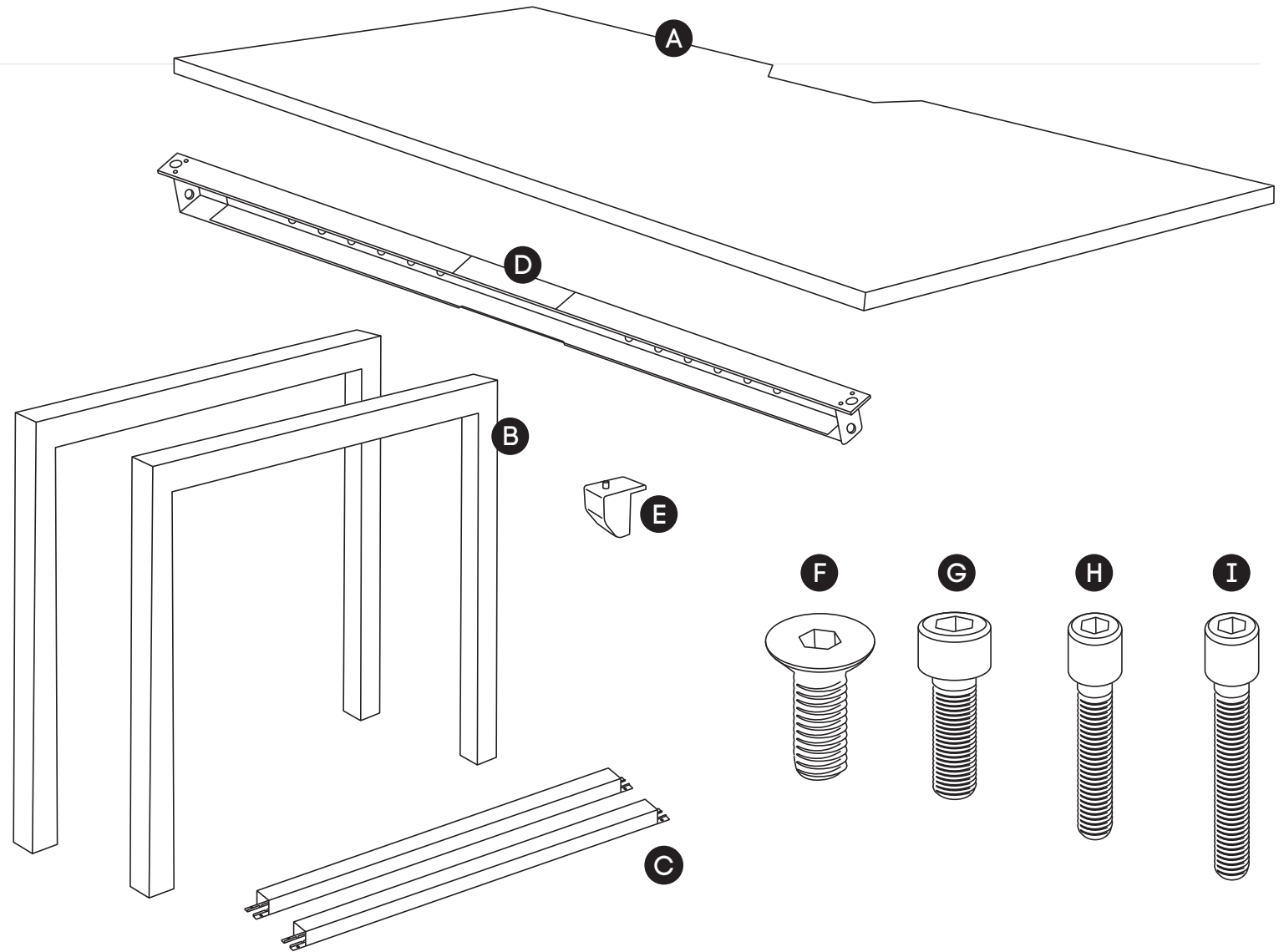
**Tools Required:** Power screwdriver; Allen key set (provided)

 2 persons required for installation

**Need help!**

Call us on **1300 527 665**

# Quadro Loop Desk



## COMPONENTS

- A Table top x1
- B Legs Quadro x2
- C Legs Quadro Loop x2
- D Beam x1 \*
- E Plastic bracket x4

## SCREWS

- F M8x20MM CSK x2
- G M8x20MM Socket head x2
- H M6x20MM Socket head x4
- I M6x30MM Socket head x4

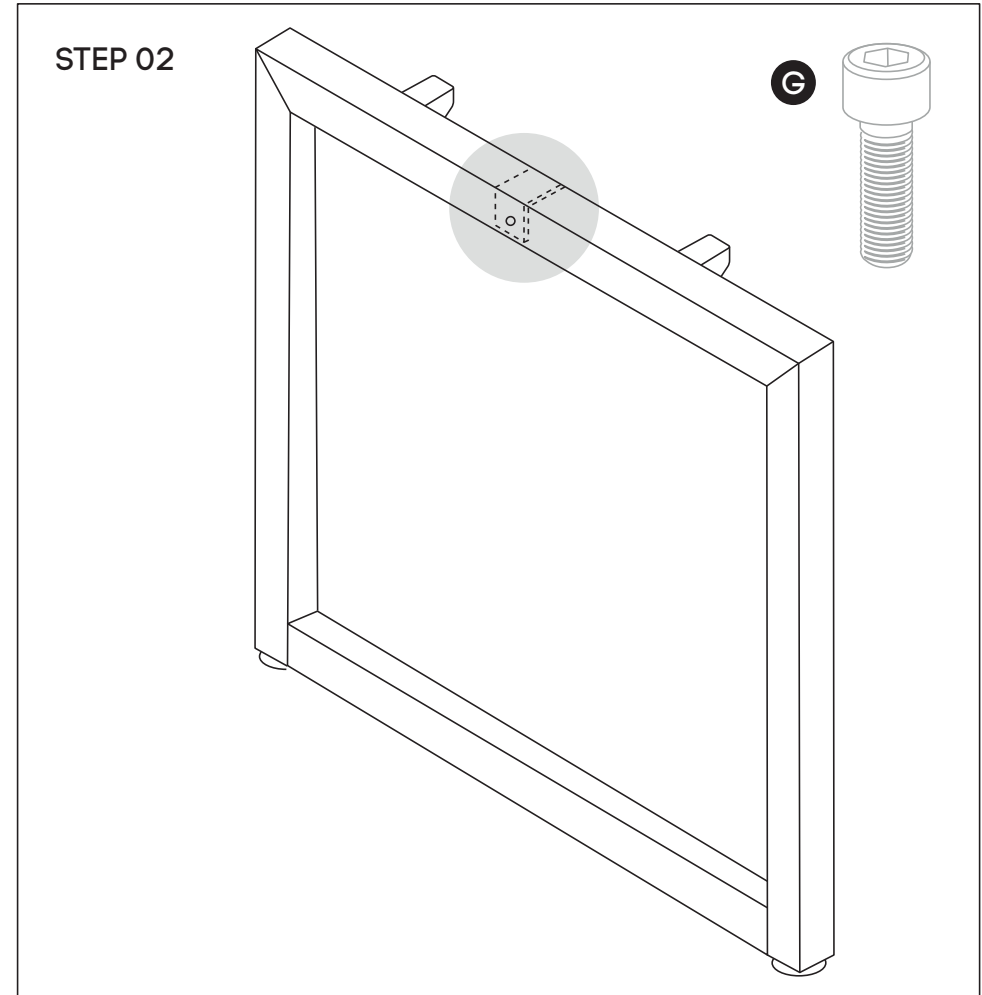
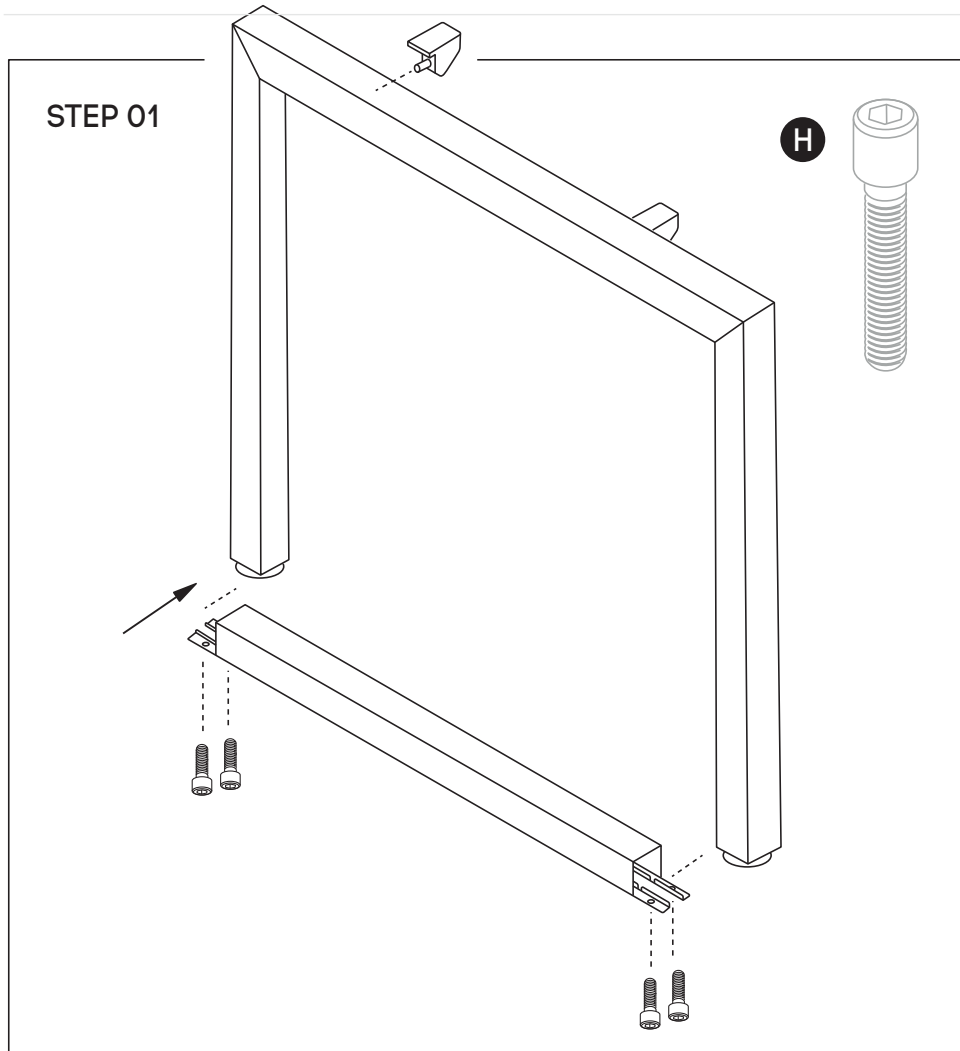
- J Allen key x2

\* Colour of the beam is always black, regardless desk frame colour.

**Need help!**

Call us on **1300 527 665**

# Quadro Loop Desk



Using Allen Key provided, attach 2 plastic brackets per leg **(E)** (as per picture above) using M6x20MM **(H)** Socket head screw. Connect Loop Legs **(C)** to Bottom of Quadro Legs **(B)** by using 4 bolts per leg.

Using Allen Key provided, attach M8x20MM Socket head **(G)**-screw socket half way into leg for both legs **(B)**

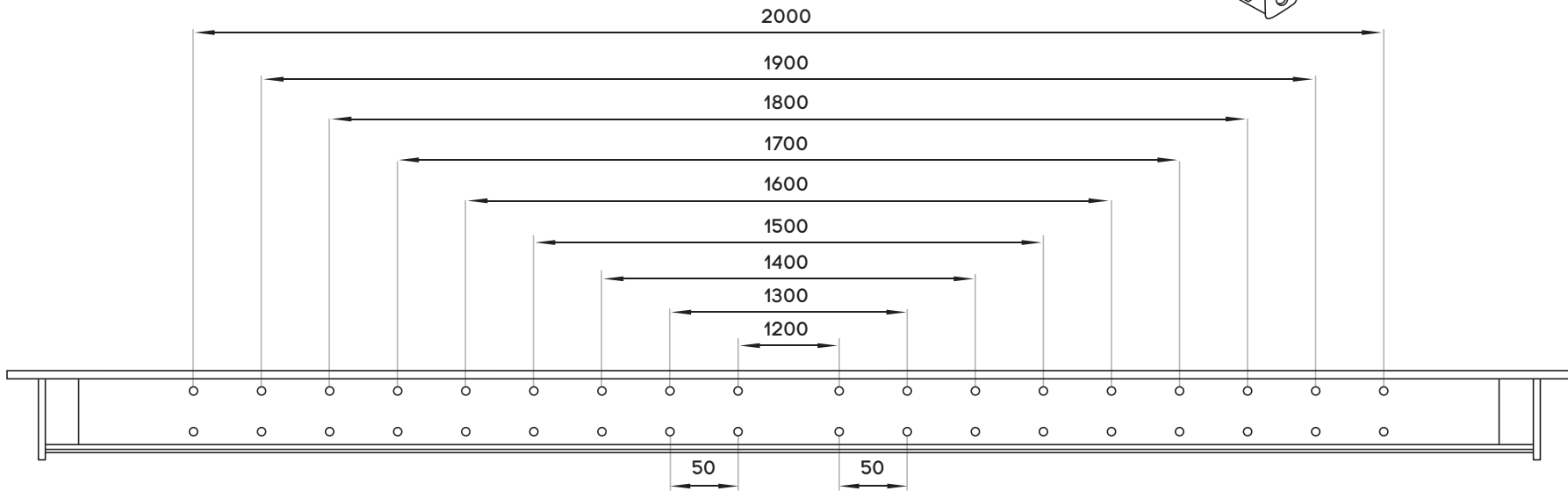
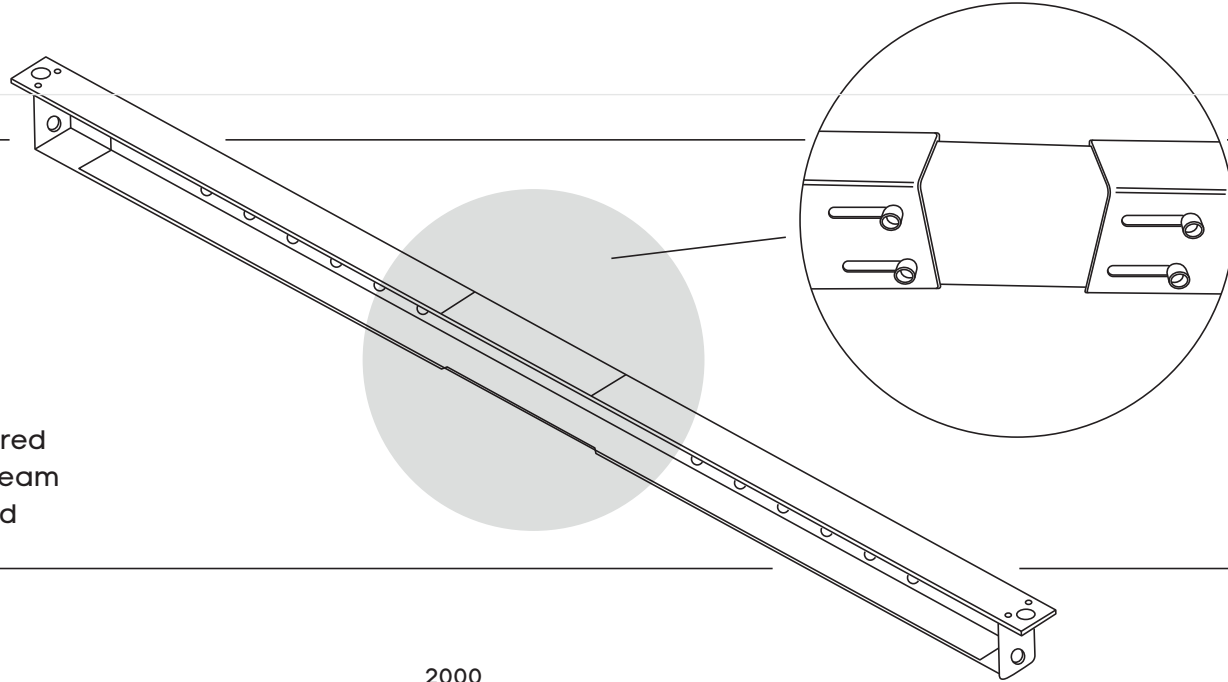
**Need help!**

Call us on **1300 527 665**

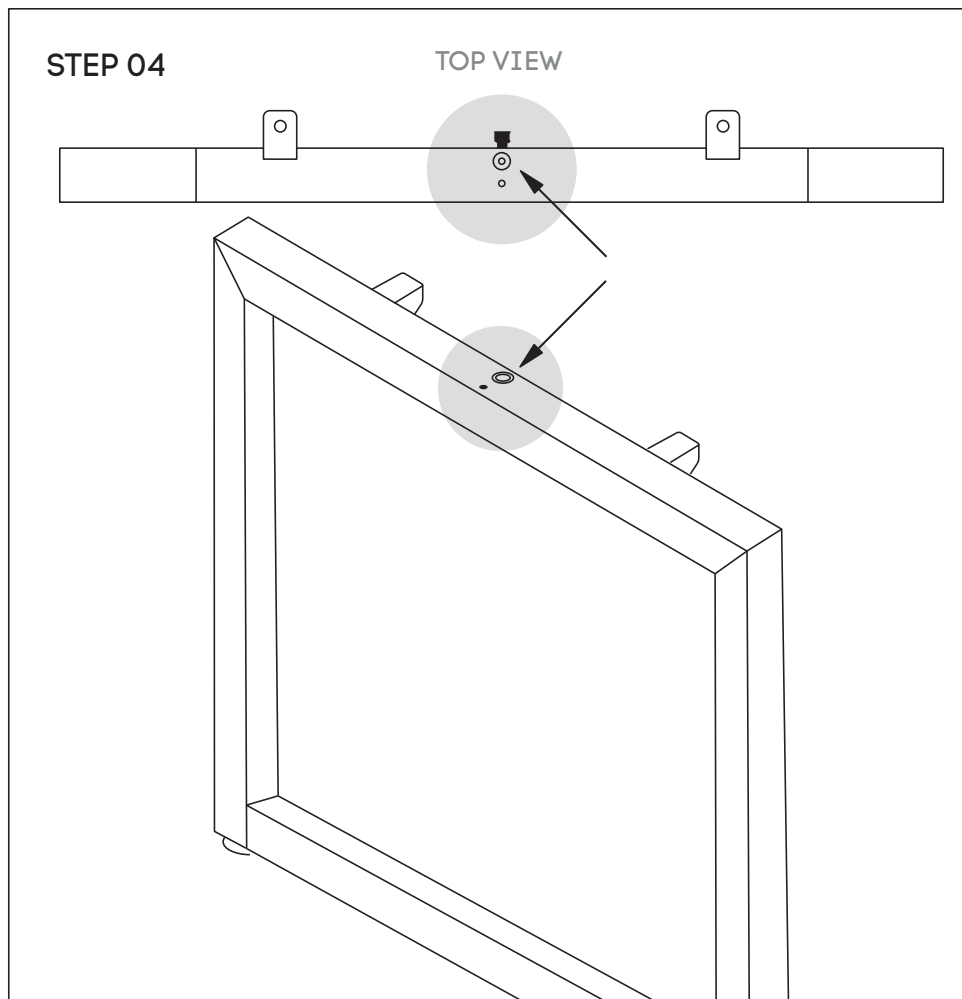
# Quadro Loop Desk

## STEP 03

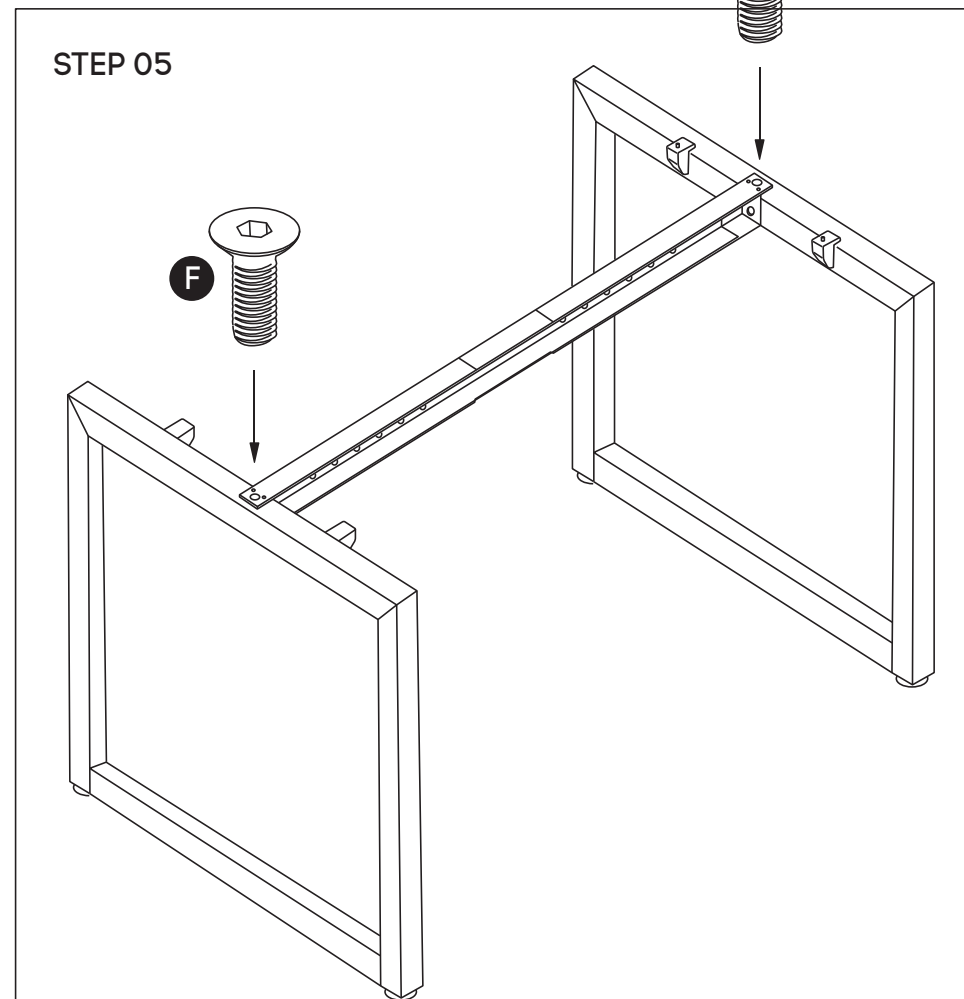
Adjust extendable beam **(D)** to desired length using markers and secure beam at that length using screws provided



# Quadro Loop Desk



Attach beam (D) to legs (B) using nut insert in legs.  
See point attached



Frame looks like this. Using Allen Key, attach beam (D) with Socket (F)

**Need help!**

Call us on **1300 527 665**

# Quadro Loop Desk

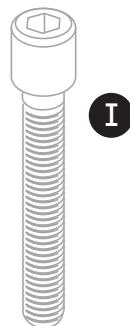
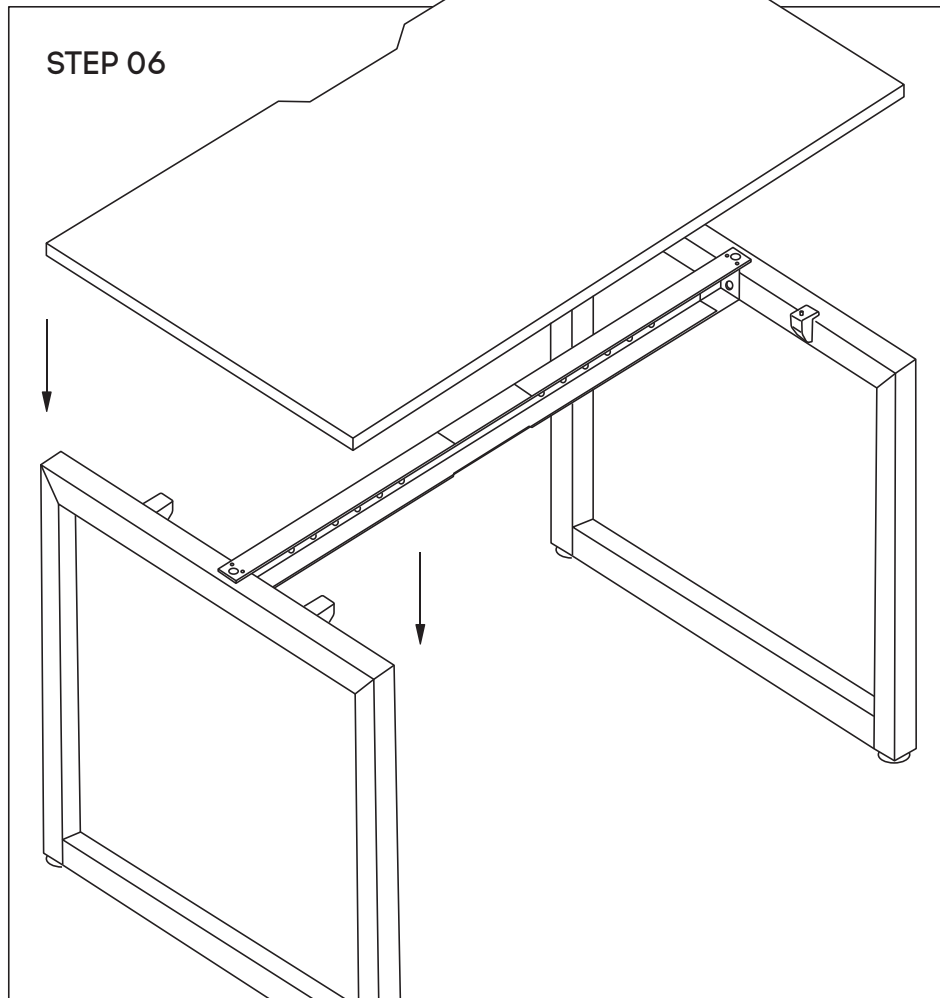
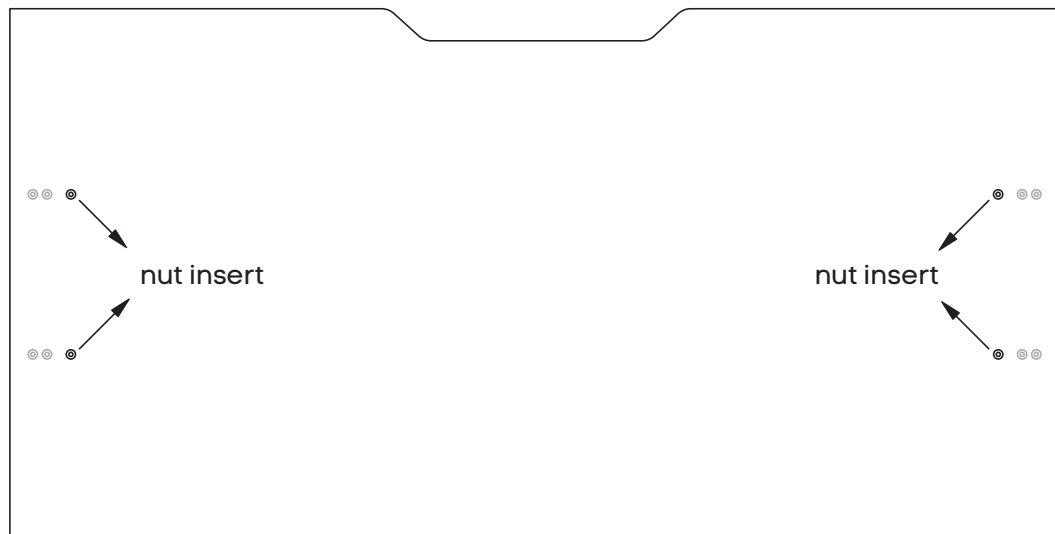


TABLE TOP  
BOTTOM VIEW



Place desktop on top of frame - with cutout at the back of the desk. Nut inserts in top will align with plastic joiner brackets using M6x30MM (I) sockets attached top to frame.