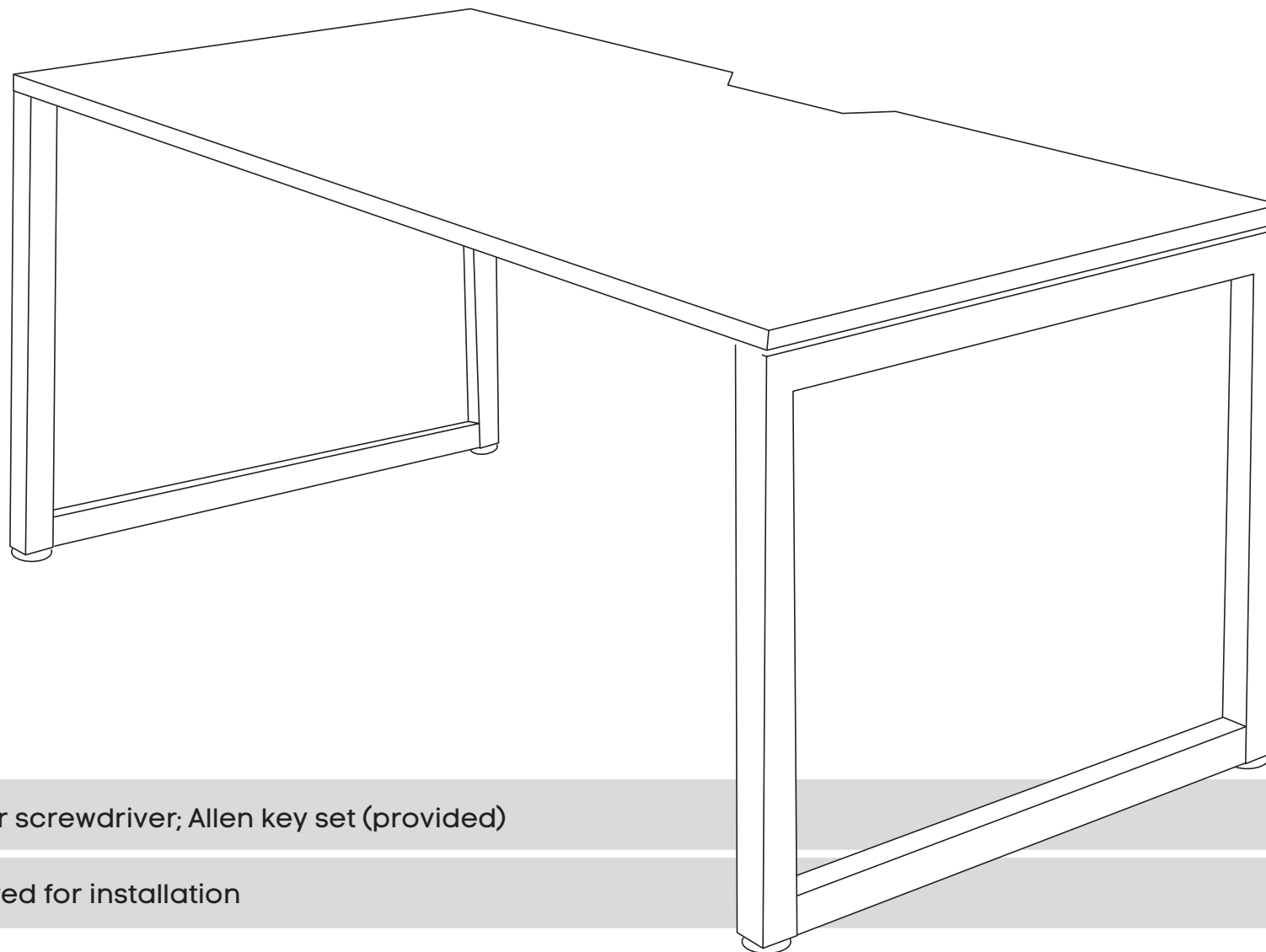


Quadro Loop Desk


Sizes:

1200x800

1800x800



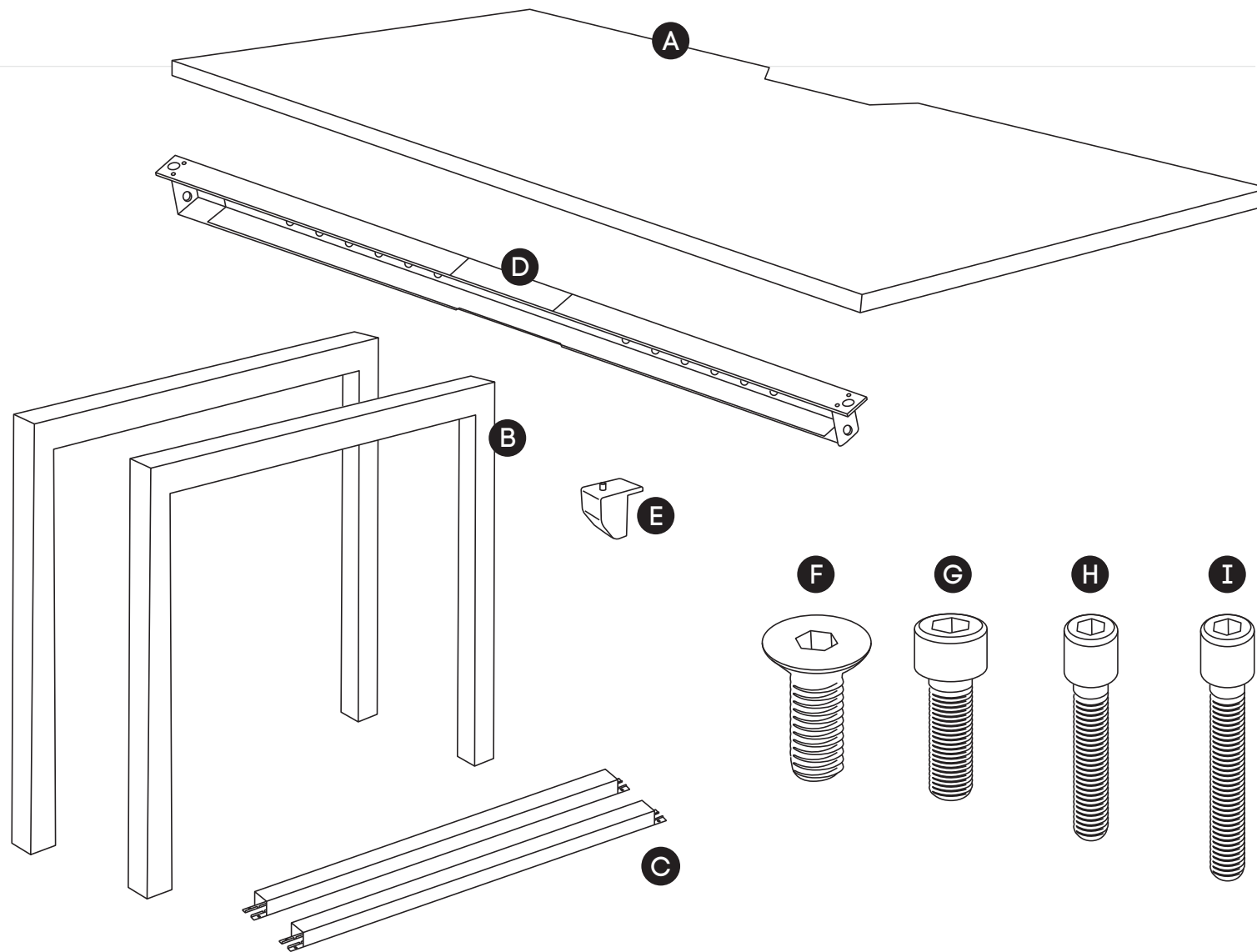
Tools Required: Power screwdriver; Allen key set (provided)

 2 persons required for installation

Need help!

Call us on **1300 527 665**

Quadro Loop Desk



COMPONENTS

- A Table top x1
- B Legs Quadro x2
- C Legs Quadro Loop x2
- D Beam x1 *
- E Plastic bracket x4

SCREWS

- F M8x20MM CSK x2
- G M8x20MM Socket head x2
- H M6x20MM Socket head x4
- I M6x30MM Socket head x4

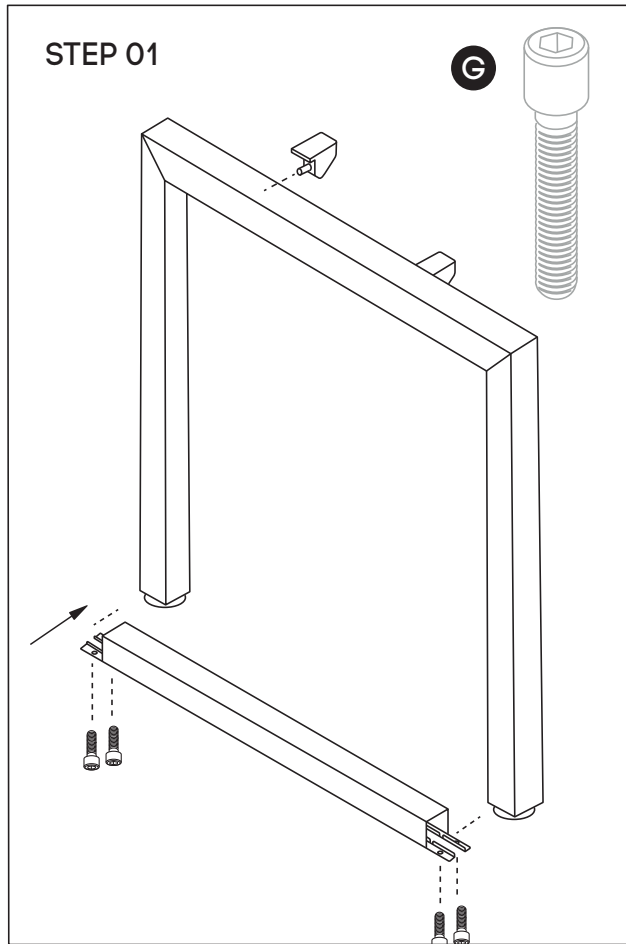
- J Allen key x2

* Colour of the beam is always black, regardless desk frame colour.

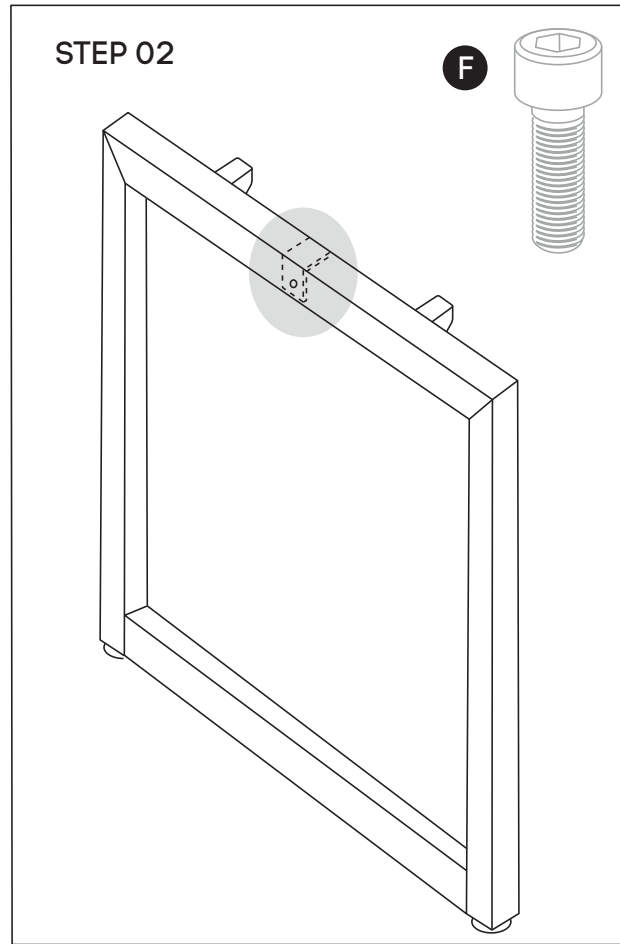
Need help!

Call us on **1300 527 665**

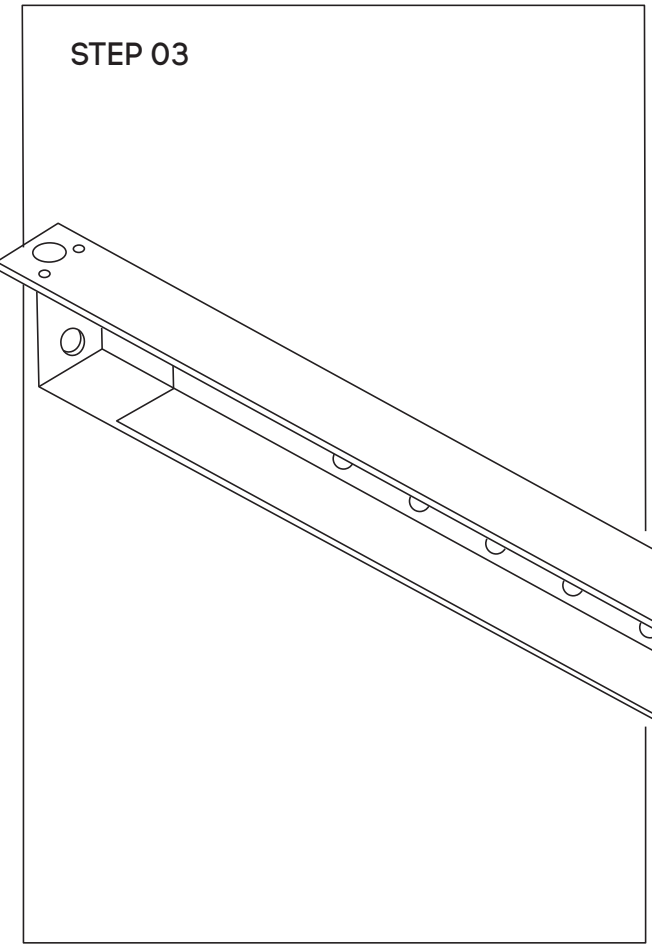
Quadro Loop Desk



Using Allen Key provided, attach 2 plastic brackets per leg **(E)** (as per picture above) using M6x20MM **(H)** Socket head screw. Connect Loop Legs **(C)** to Bottom of Quadro Legs **(B)** by using 4 bolts per leg.



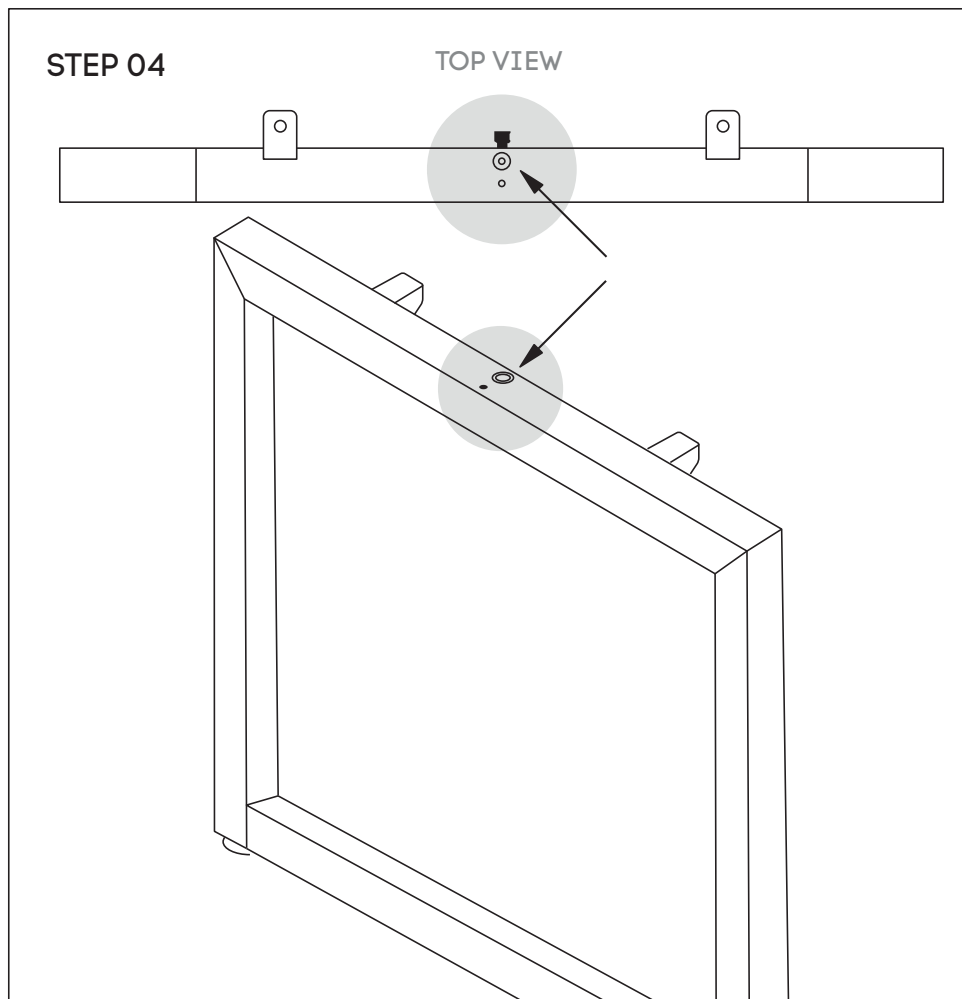
Using Allen Key provided, attach M8x20MM Socket head **(G)**- screw socket half way into leg for both legs **(B)**



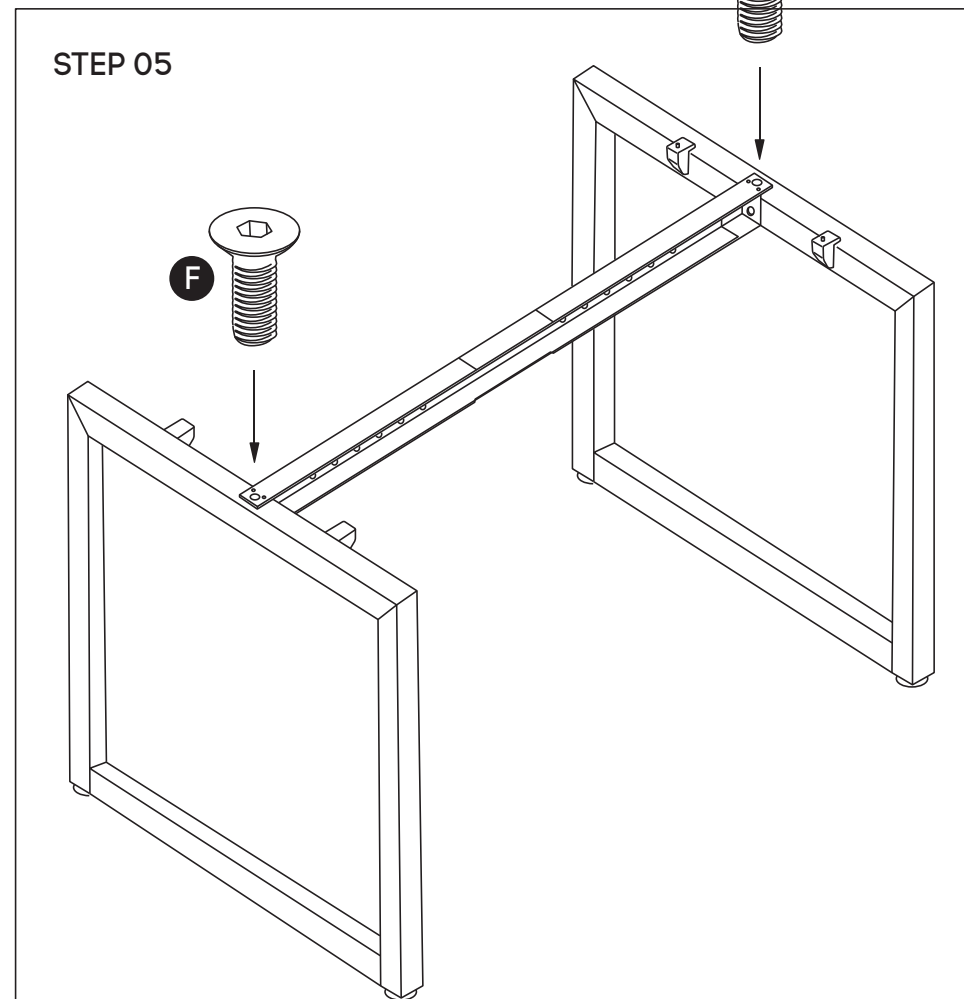
Use fixed beam **(D)** and secure beam using screws provided to suit desk

Need help! Call us on **1300 527 665**

Quadro Loop Desk



Attach beam **(D)** to legs **(B)** using nut insert in legs.
See point attached



Frame looks like this. Using Allen Key, attach beam **(D)** with Socket **(F)**

Need help!

Call us on **1300 527 665**

Quadro Loop Desk

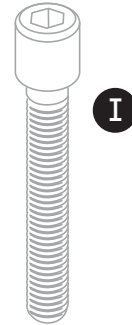
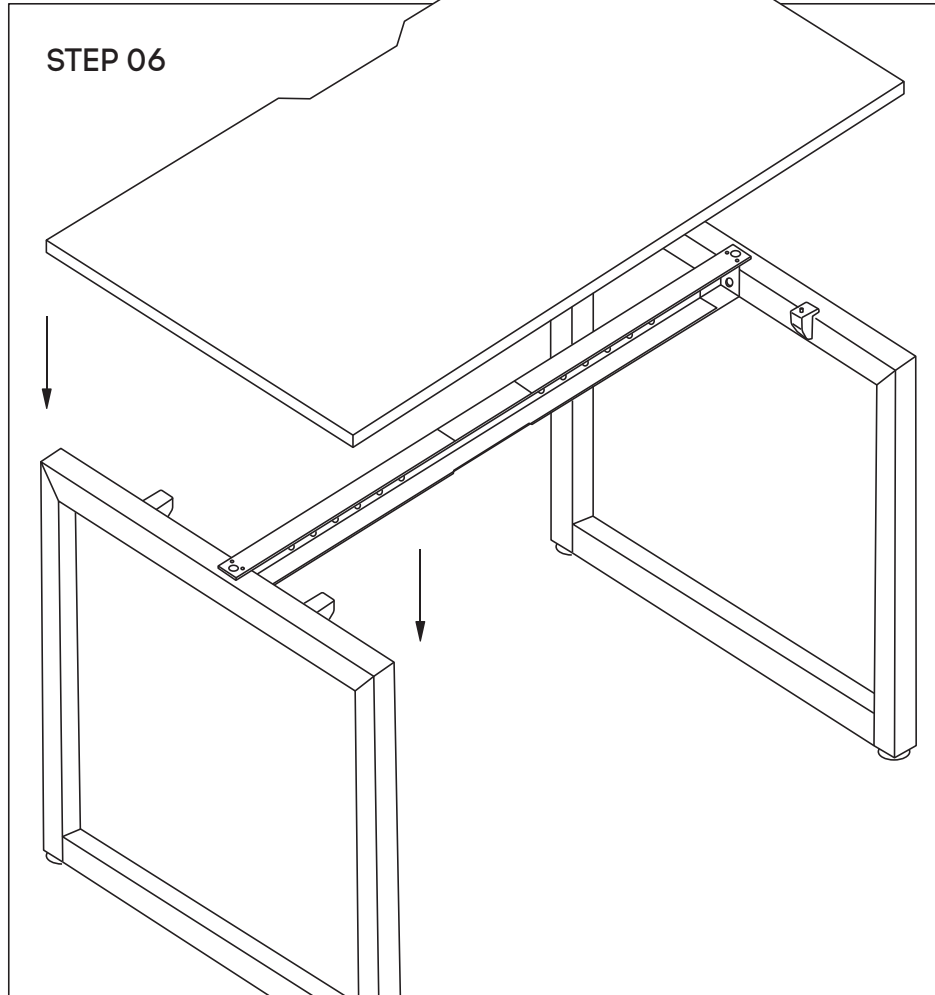
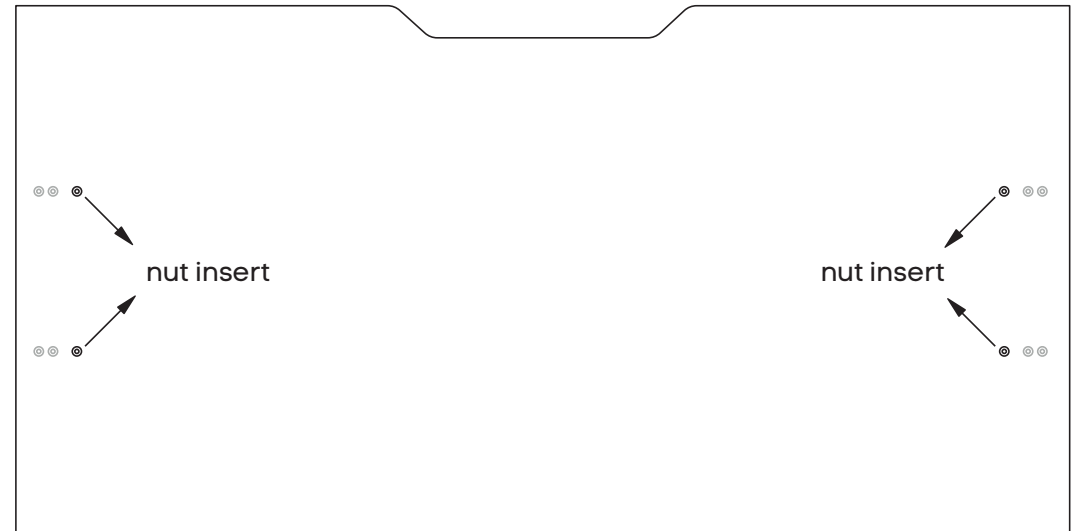


TABLE TOP
BOTTOM VIEW



Place desktop on top of frame - with cutout at the back of the desk. Nut inserts in top will align with plastic joiner brackets using M6x30MM (I) sockets attached top to frame.