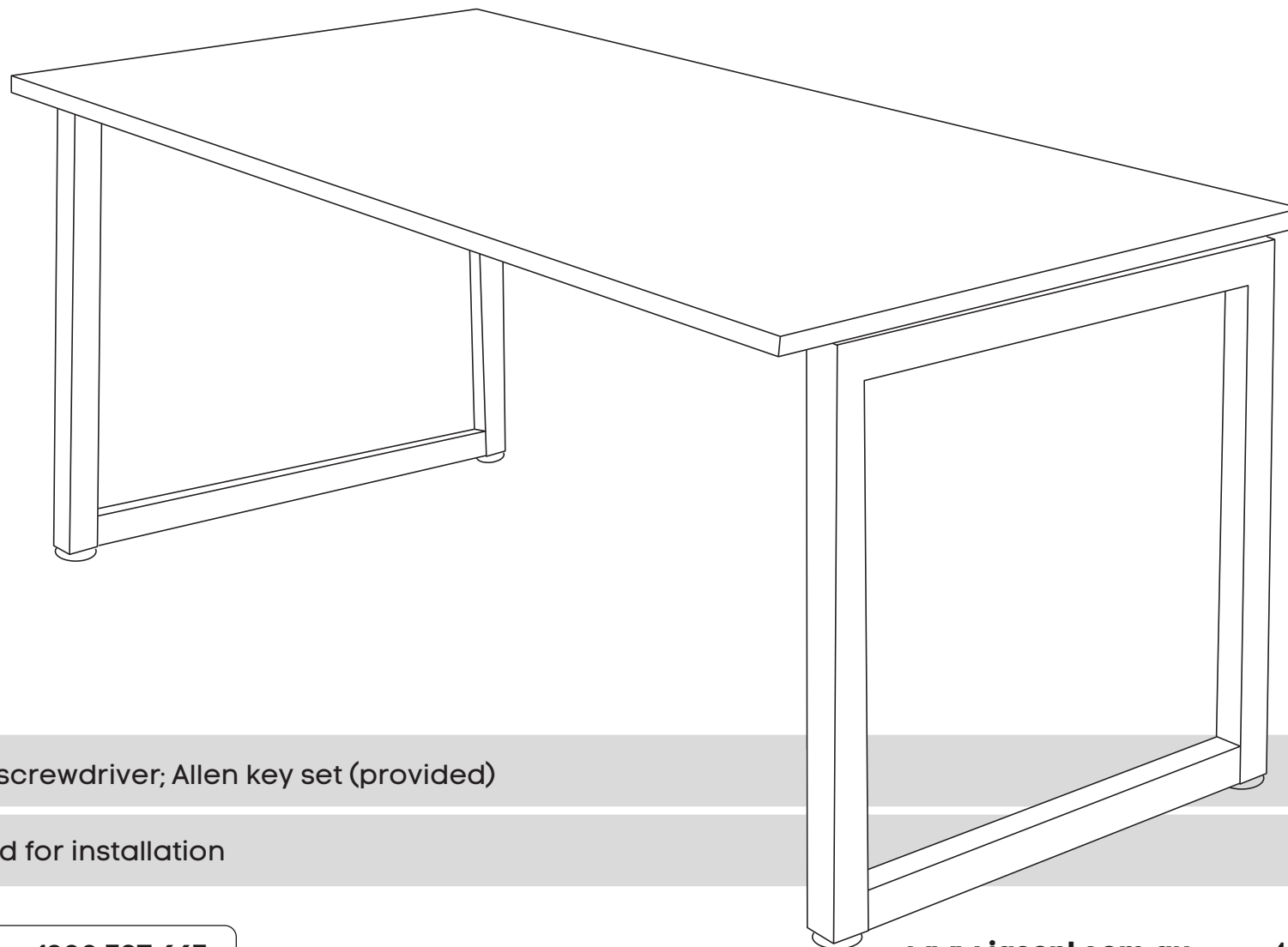


# Quadro Loop Desk


**Sizes:**

1200x700

1800x700



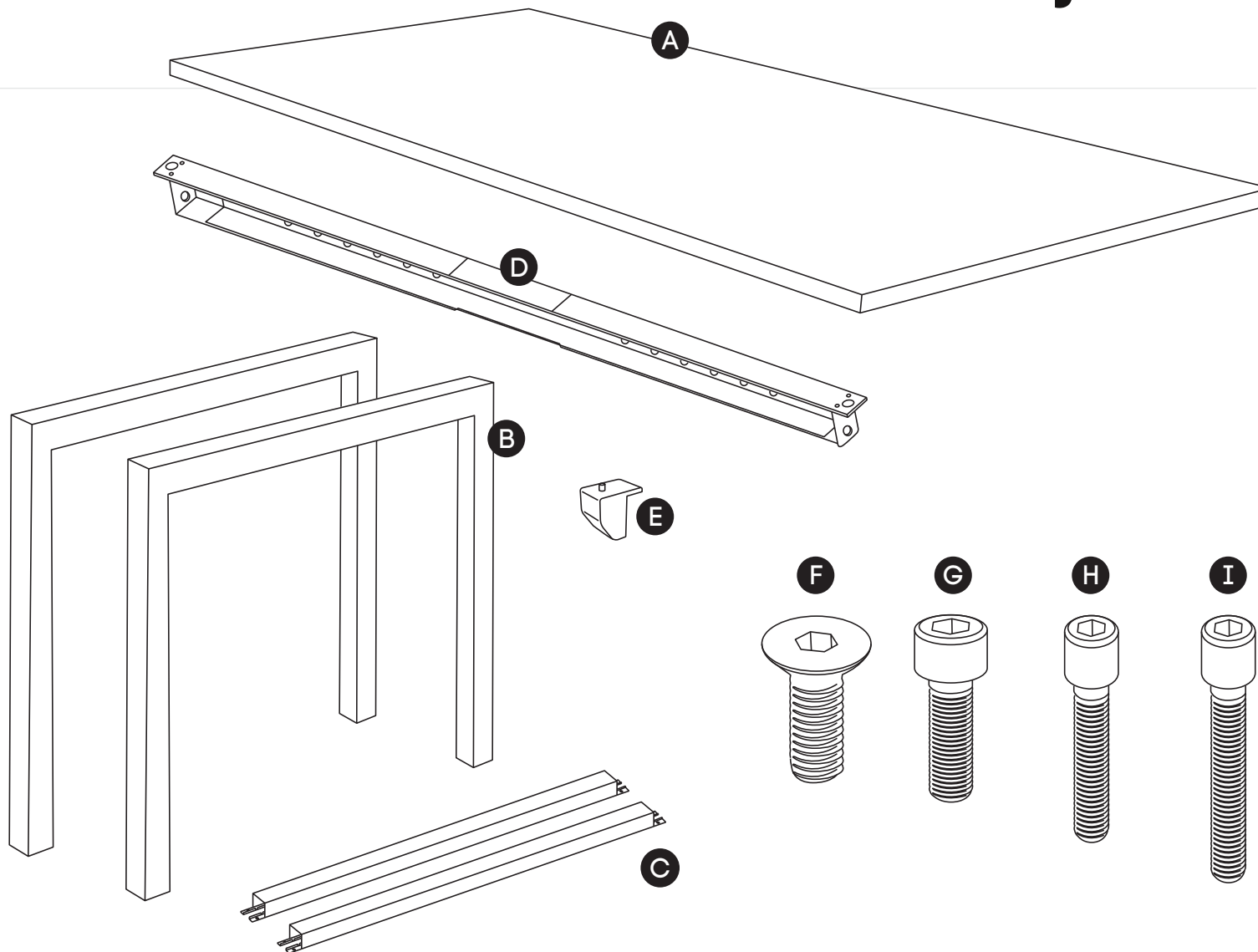
**Tools Required:** Power screwdriver; Allen key set (provided)

 2 persons required for installation

**Need help!**

Call us on **1300 527 665**

# Quadro Loop Desk



## COMPONENTS

- A Table top x1
- B Legs Quadro x2
- C Legs Quadro Loop x2
- D Beam x1 \*
- E Plastic bracket x4

## SCREWS

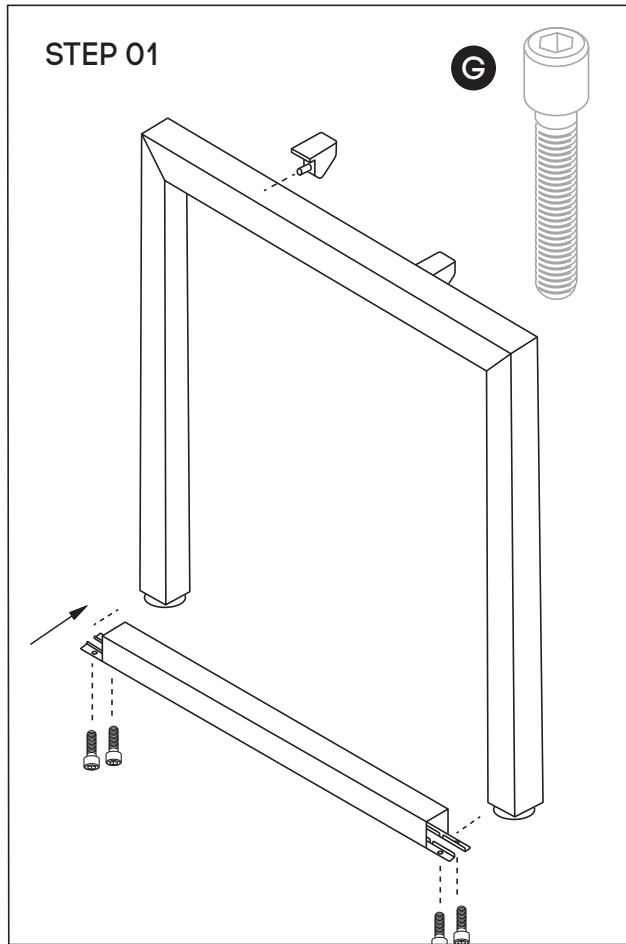
- F M8x20MM CSK x2
- G M8x20MM Socket head x2
- H M6x20MM Socket head x4
- I M6x30MM Socket head x4

J Allen key x2

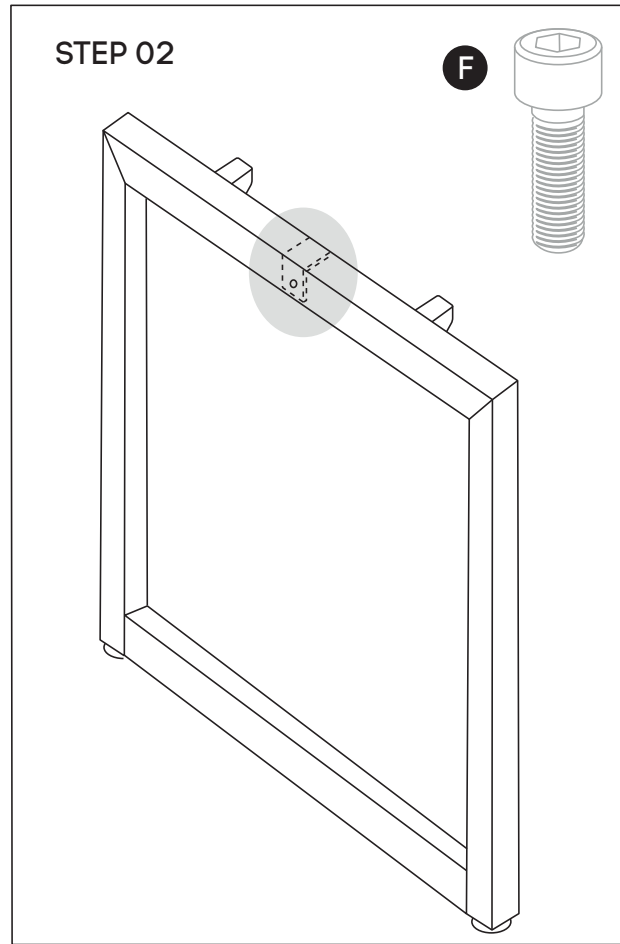
\* Colour of the beam is always black, regardless desk frame colour.

**Need help!** Call us on **1300 527 665**

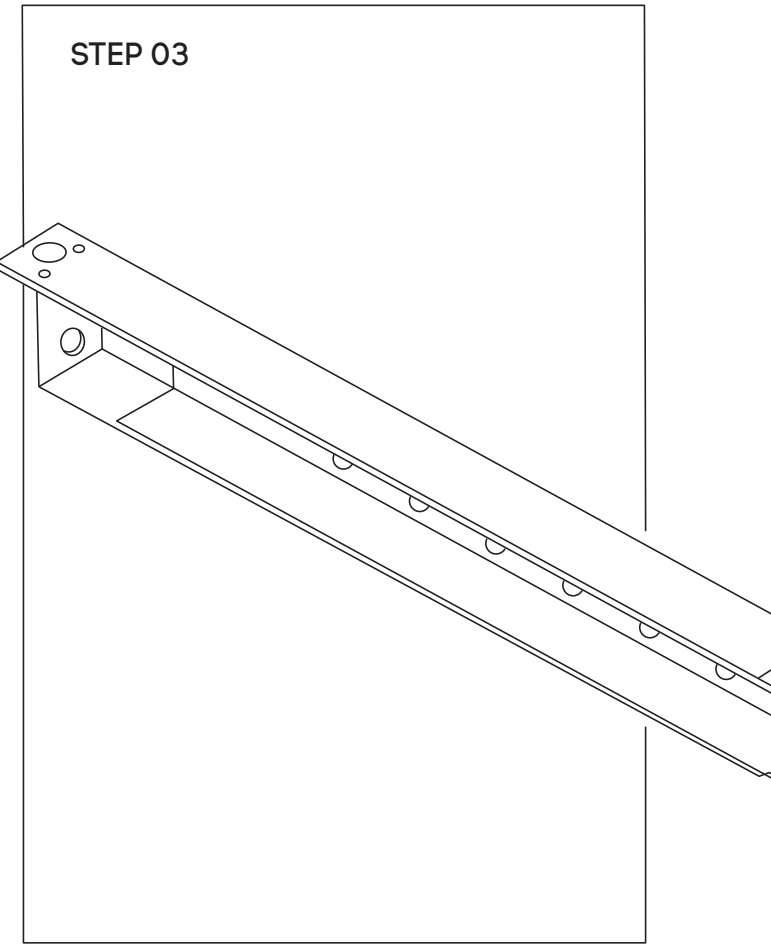
# Quadro Loop Desk



Using Allen Key provided, attach 2 plastic brackets per leg **(E)** (as per picture above) using M6x20MM **(H)** Socket head screw. Connect Loop Legs **(C)** to Bottom of Quadro Legs **(B)** by using 4 bolts per leg.



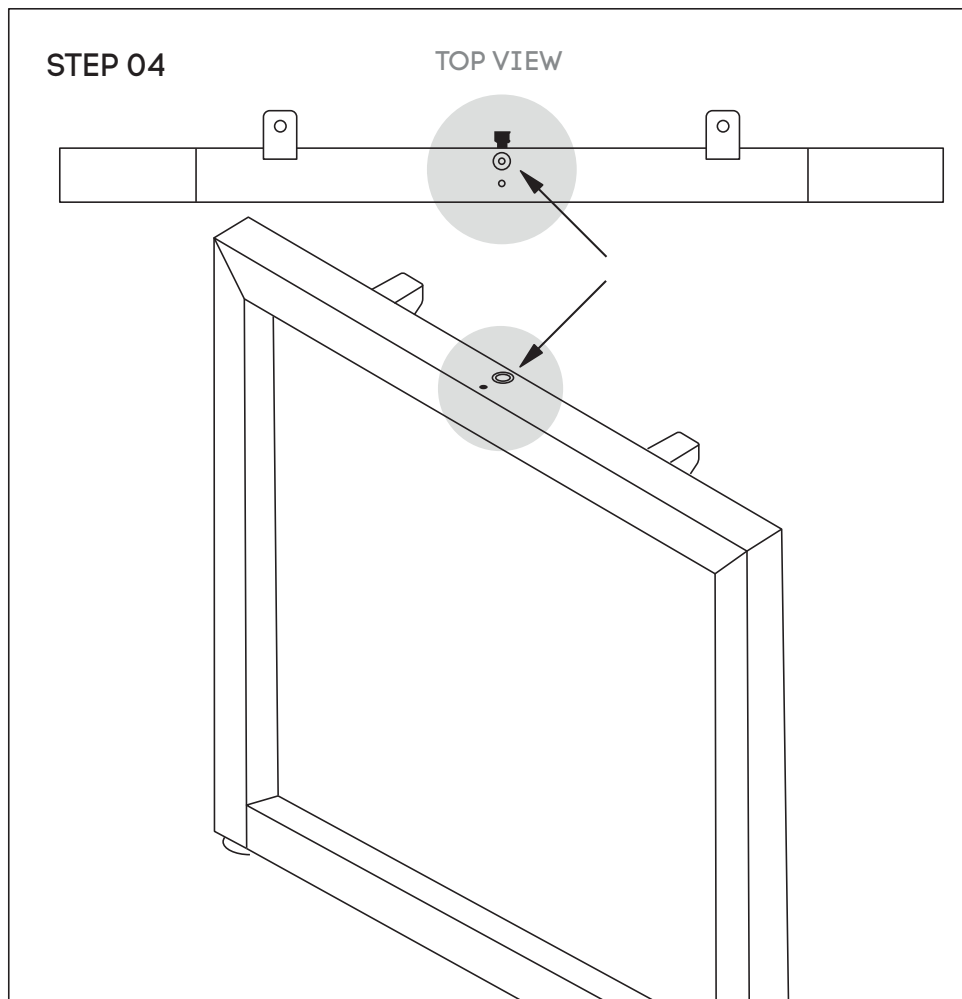
Using Allen Key provided, attach M8x20MM Socket head **(G)**- screw socket half way into leg for both legs **(B)**



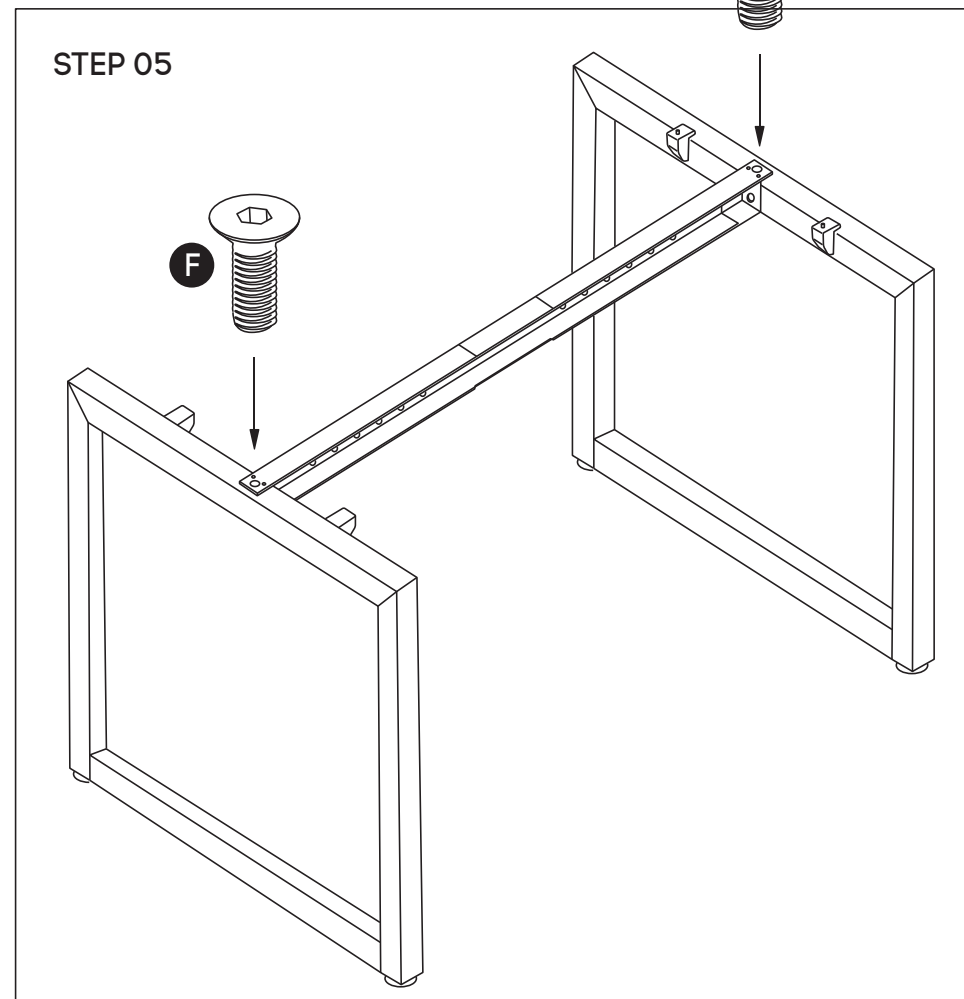
Use fixed beam **(D)** and secure beam using screws provided to suit desk

**Need help!** Call us on **1300 527 665**

# Quadro Loop Desk



Attach beam (D) to legs (B) using nut insert in legs.  
See point attached



Frame looks like this. Using Allen Key, attach beam (D) with Socket (F)

**Need help!**

Call us on **1300 527 665**

# Quadro Loop Desk

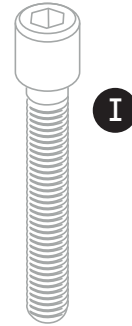
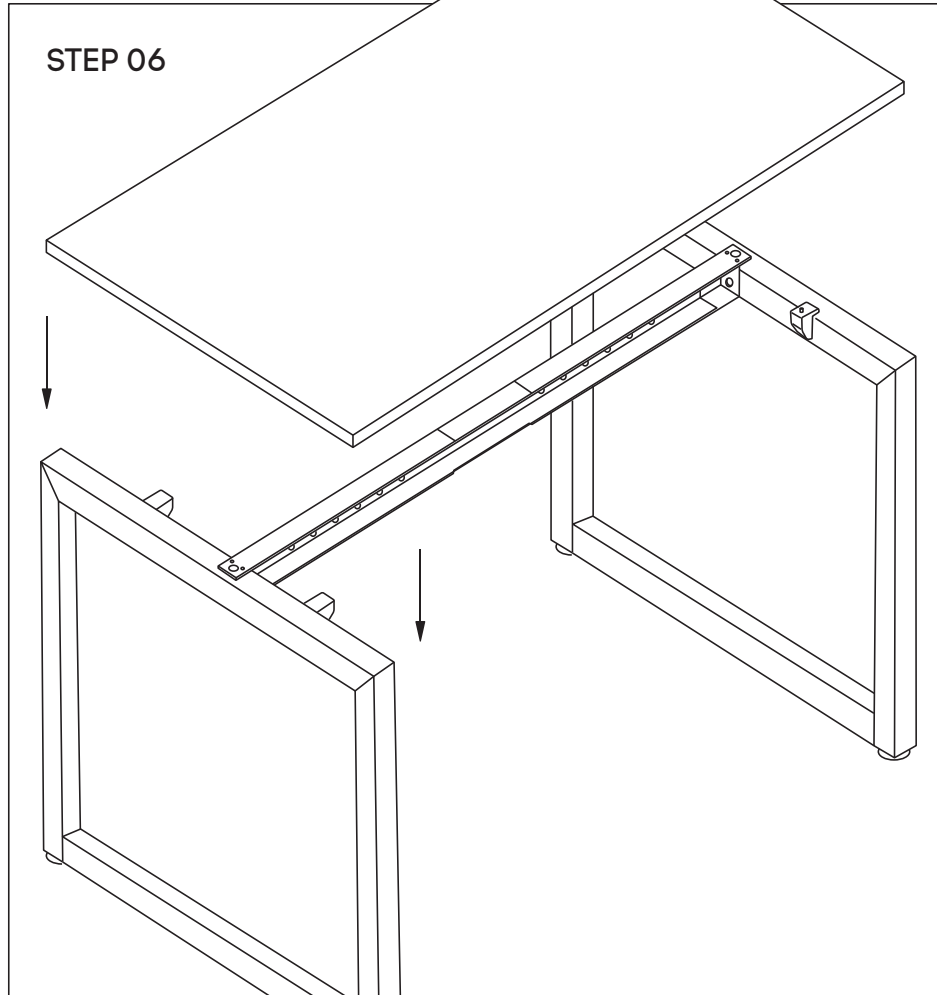
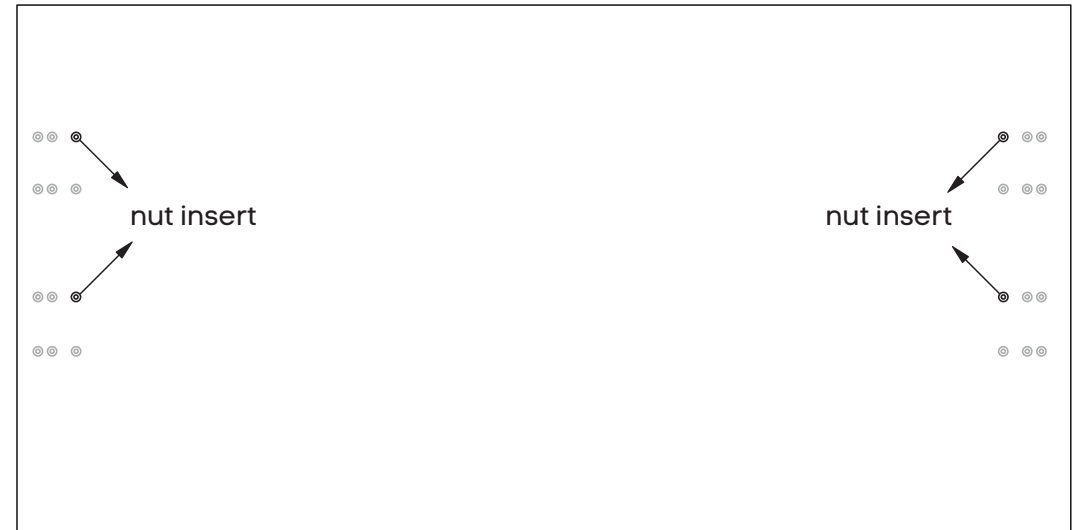


TABLE TOP  
BOTTOM VIEW



Place desktop on top of frame. Nut inserts in top will align with plastic joiner brackets using M6x30MM (I) sockets attach top to frame.