

ASSEMBLY INSTRUCTIONS
**Quadro Loop
Boardroom table**

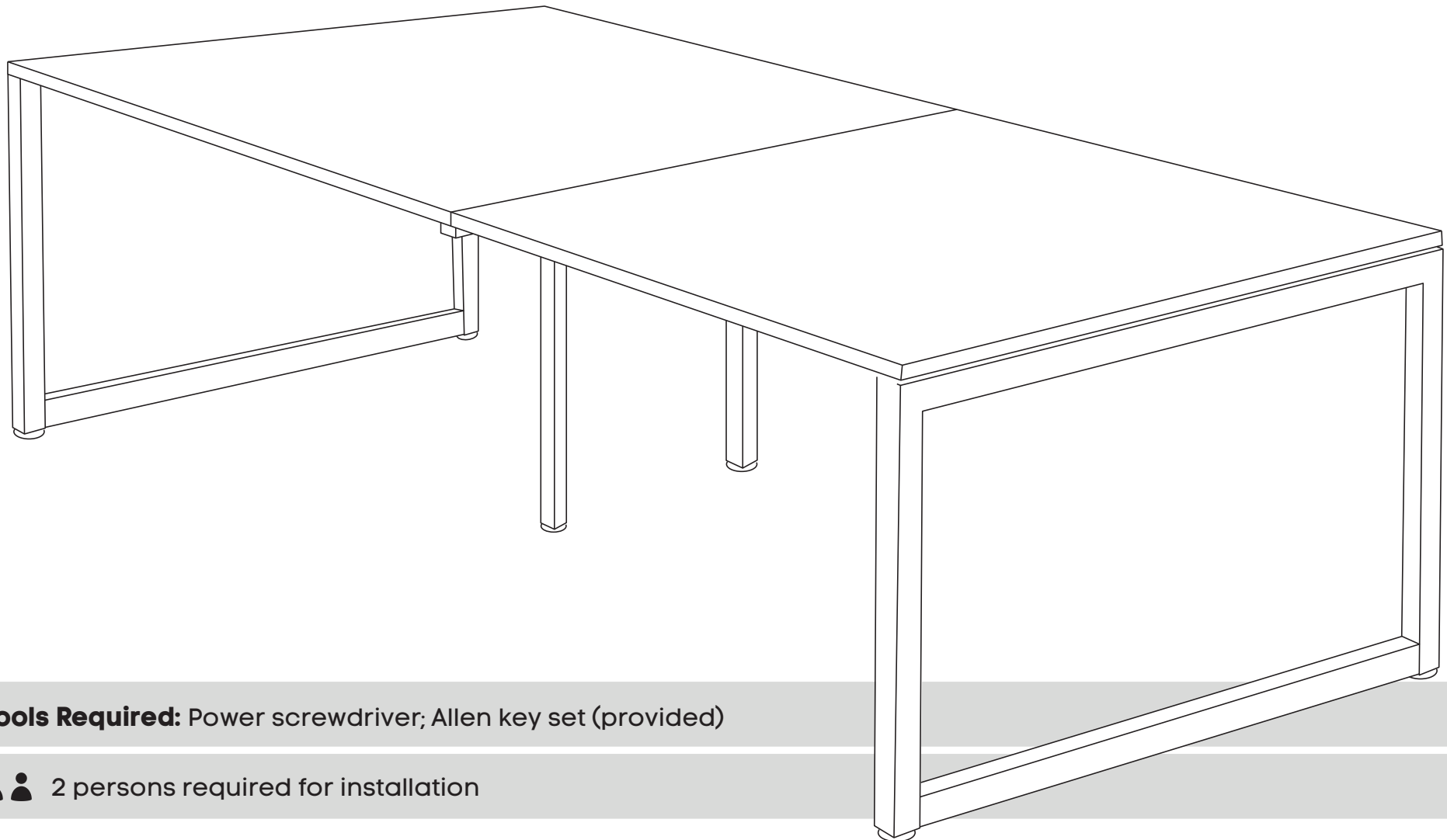
Size: 2400 mm

www.jasonl.com.au


Need help!

Call us on
1300 527 665

jason.l
your office furniture mate



Tools Required: Power screwdriver; Allen key set (provided)

 2 persons required for installation

ASSEMBLY INSTRUCTIONS

Quadro Loop Boardroom table

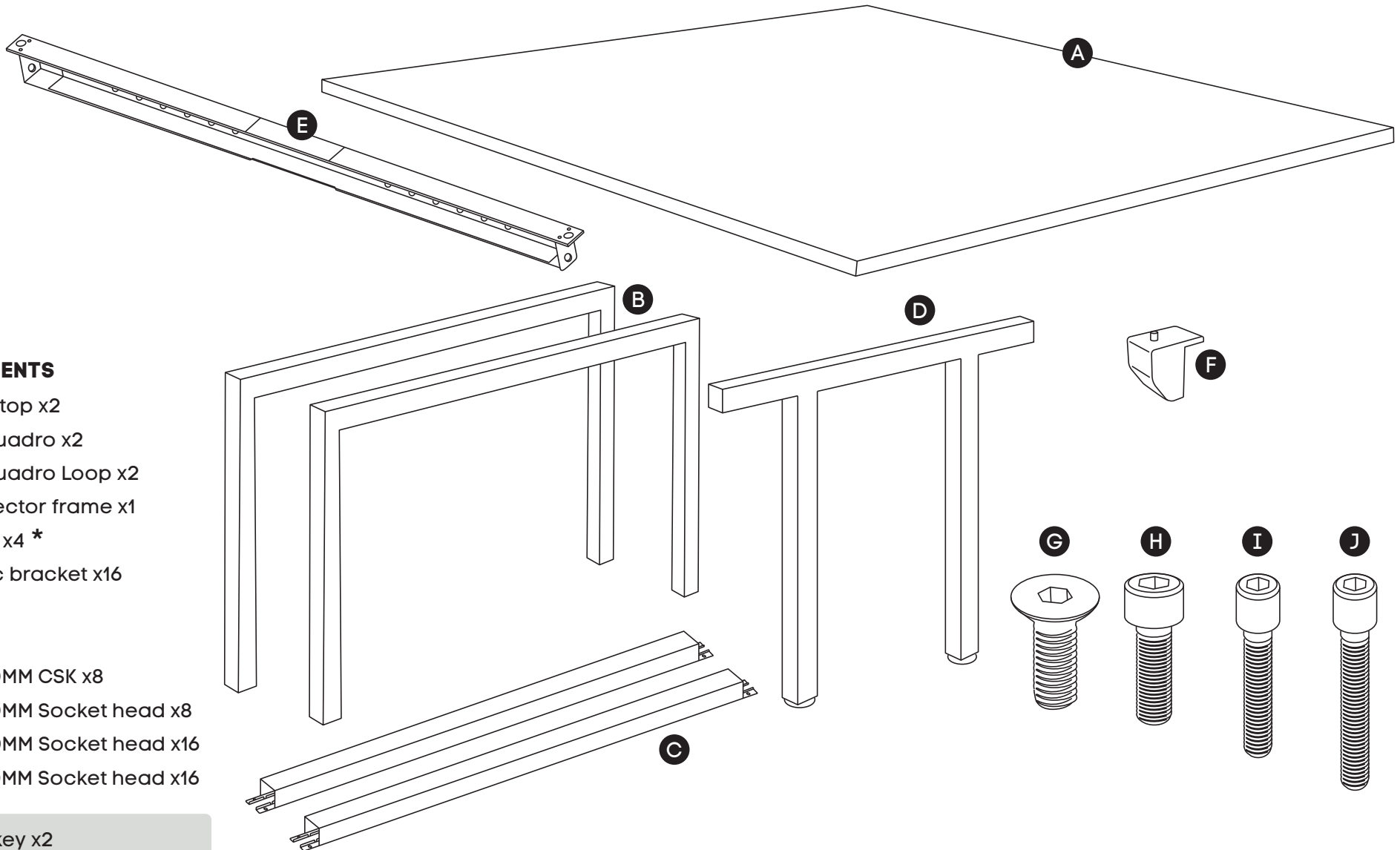
Size: 2400 mm

www.jasonl.com.au

Need help!

Call us on
1300 527 665

jason.l
your office furniture mate



COMPONENTS

- A Table top x2
- B Leg Quadro x2
- C Leg Quadro Loop x2
- D Connector frame x1
- E Beam x4 *
- F Plastic bracket x16

SCREWS

- G M8x20MM CSK x8
- H M8x20MM Socket head x8
- I M6x20MM Socket head x16
- J M6x30MM Socket head x16

K Allen key x2

* Colour of the beam is always black, regardless desk frame colour.

ASSEMBLY INSTRUCTIONS

Quadro Loop Boardroom table

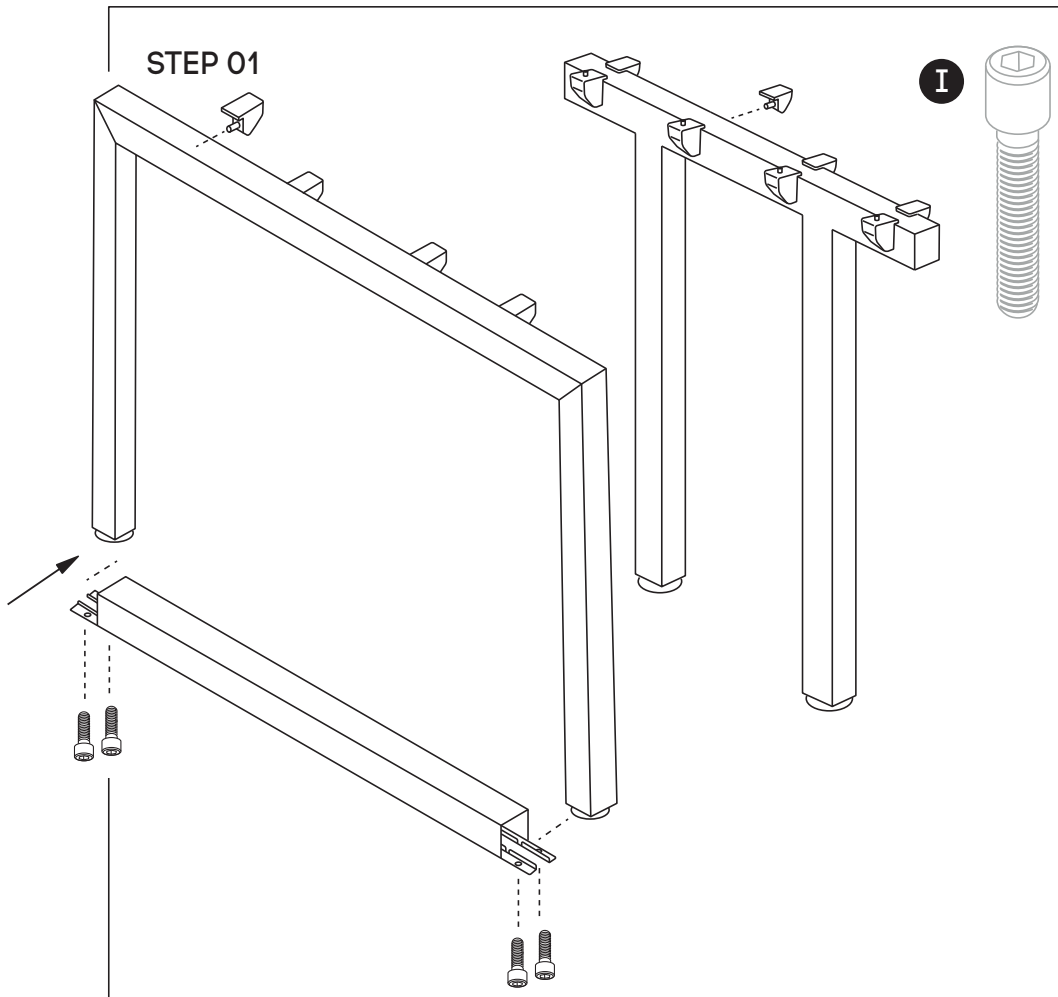
Size: 2400 mm

www.jasonl.com.au

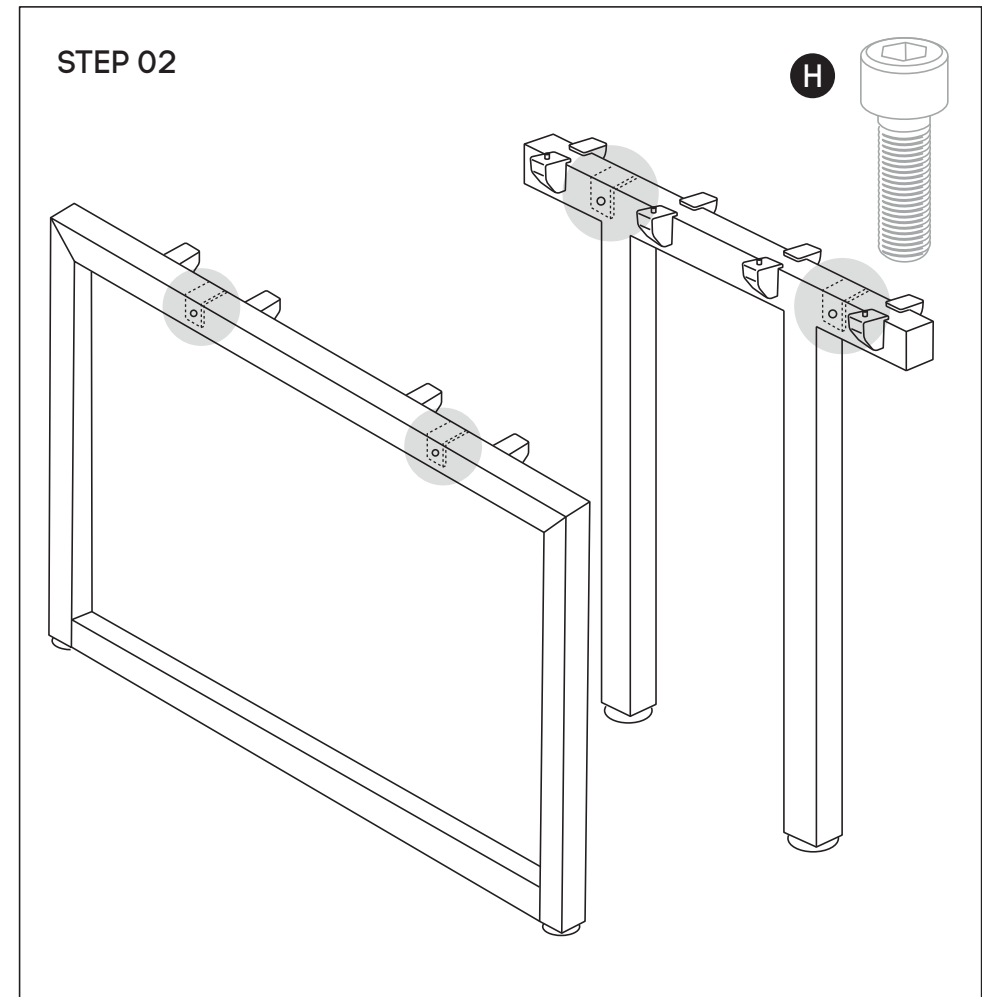
Need help!

Call us on
1300 527 665

jason.l
your office furniture mate



Using Allen Key provided, attach 4 plastic brackets per leg **(F)** (as per picture above) using M6x20MM **(I)** Socket head screw. Do the same with Connector frame **(D)**. Connect Loop Legs **(C)** to Bottom of Quadro Legs **(B)** by using 4 bolts per leg.



Using Allen Key provided, attach M8x20MM Socket head **(H)**-screw socket half way into leg for both legs **(B)** and into Connector frame **(D)**.

ASSEMBLY INSTRUCTIONS

Quadro Loop Boardroom table

Size: 2400 mm

www.jasonl.com.au

Need help!

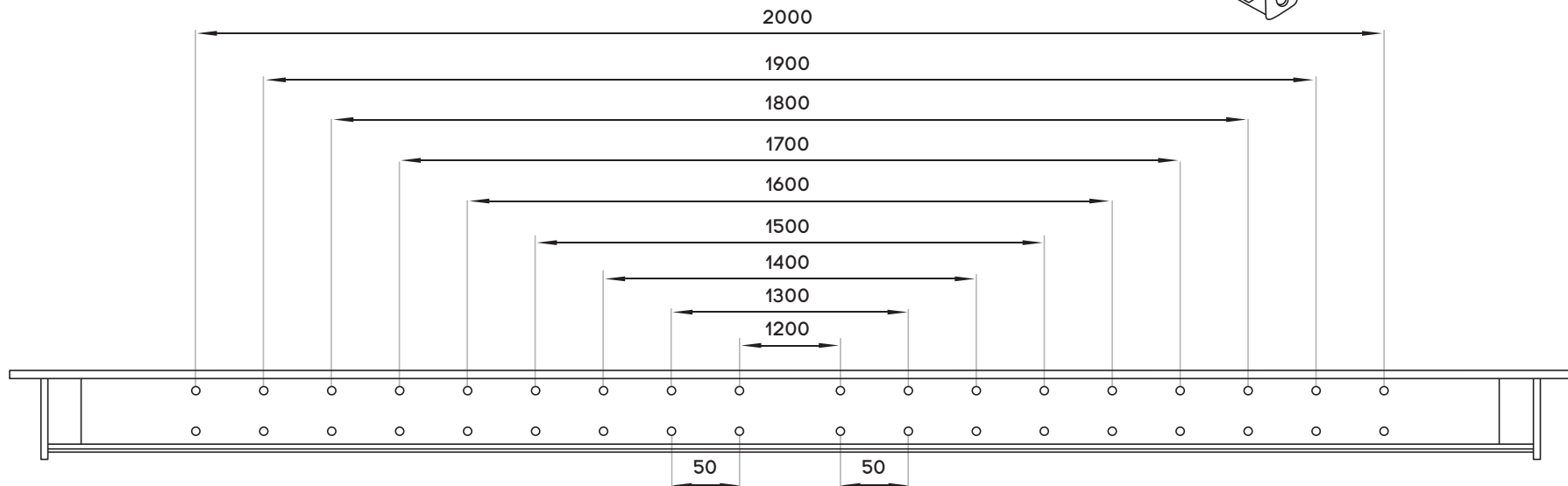
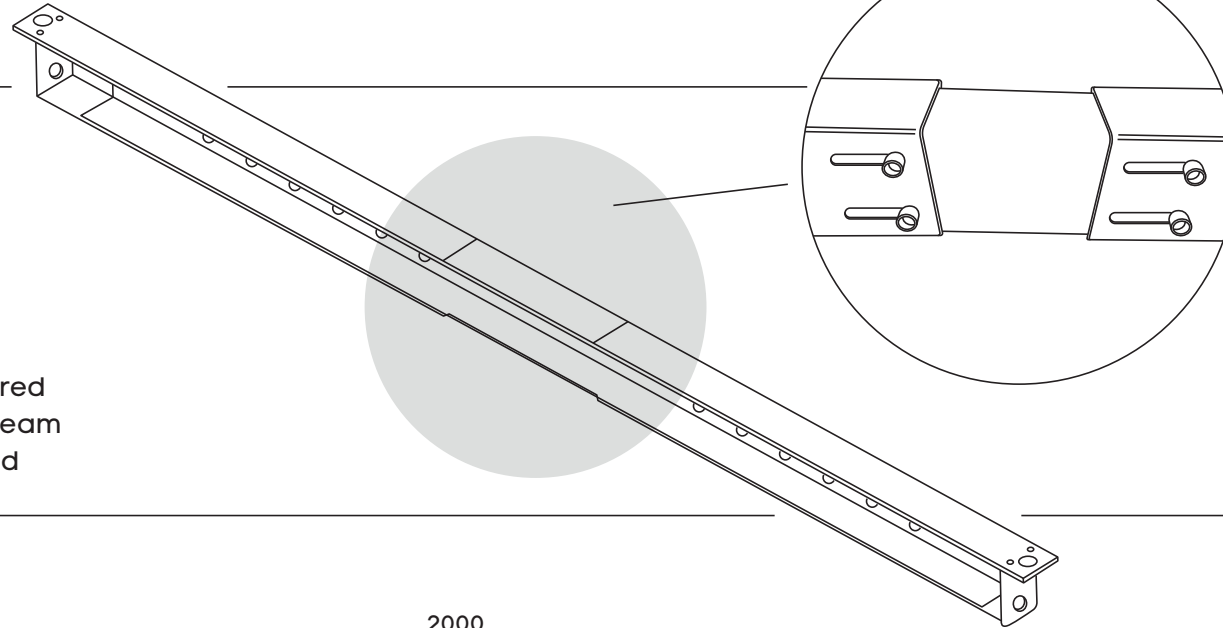
Call us on
1300 527 665

jason.l
your office furniture mate



STEP 03

Adjust extendable beam **(E)** to desired length using markers and secure beam at that length using screws provided



ASSEMBLY INSTRUCTIONS

Quadro Loop Boardroom table

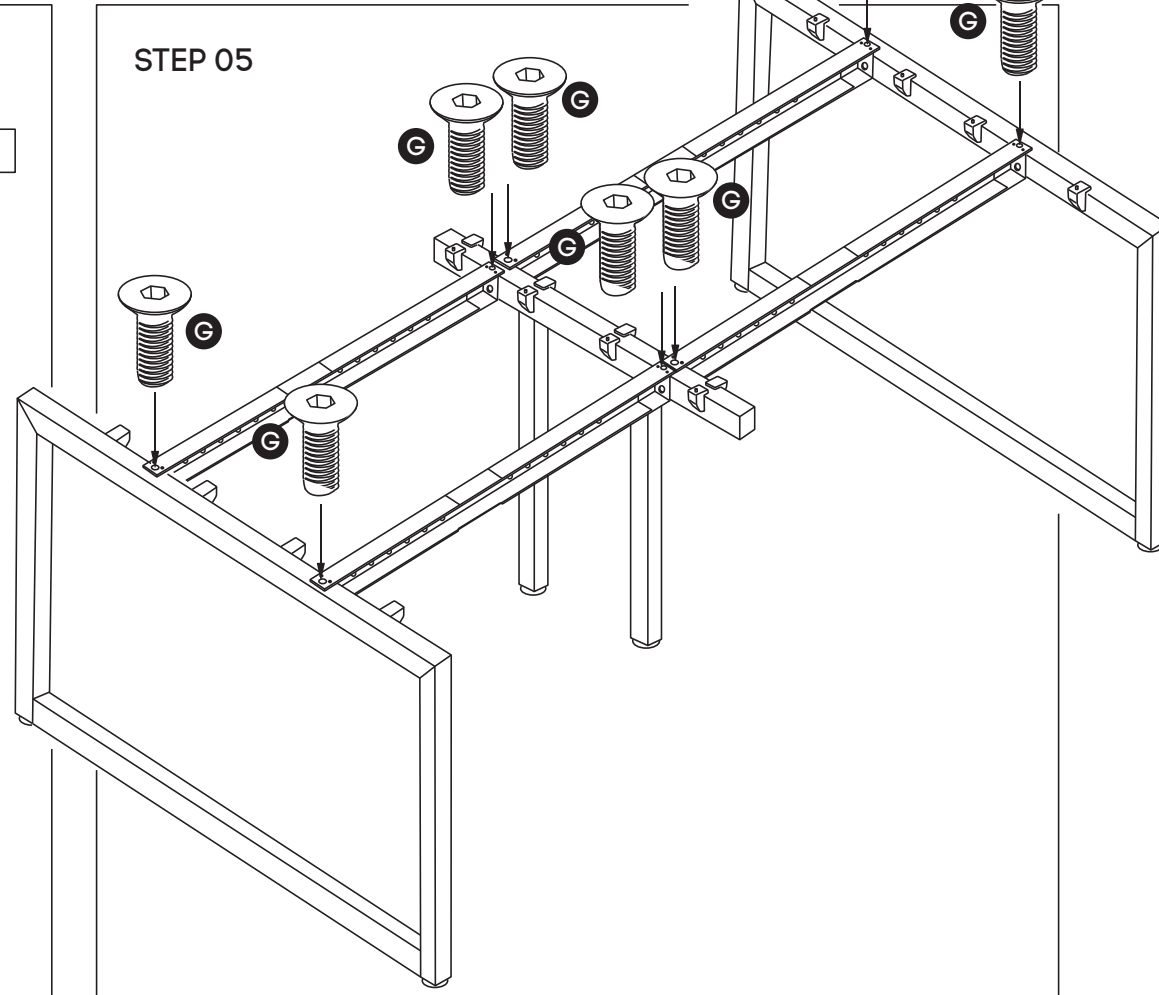
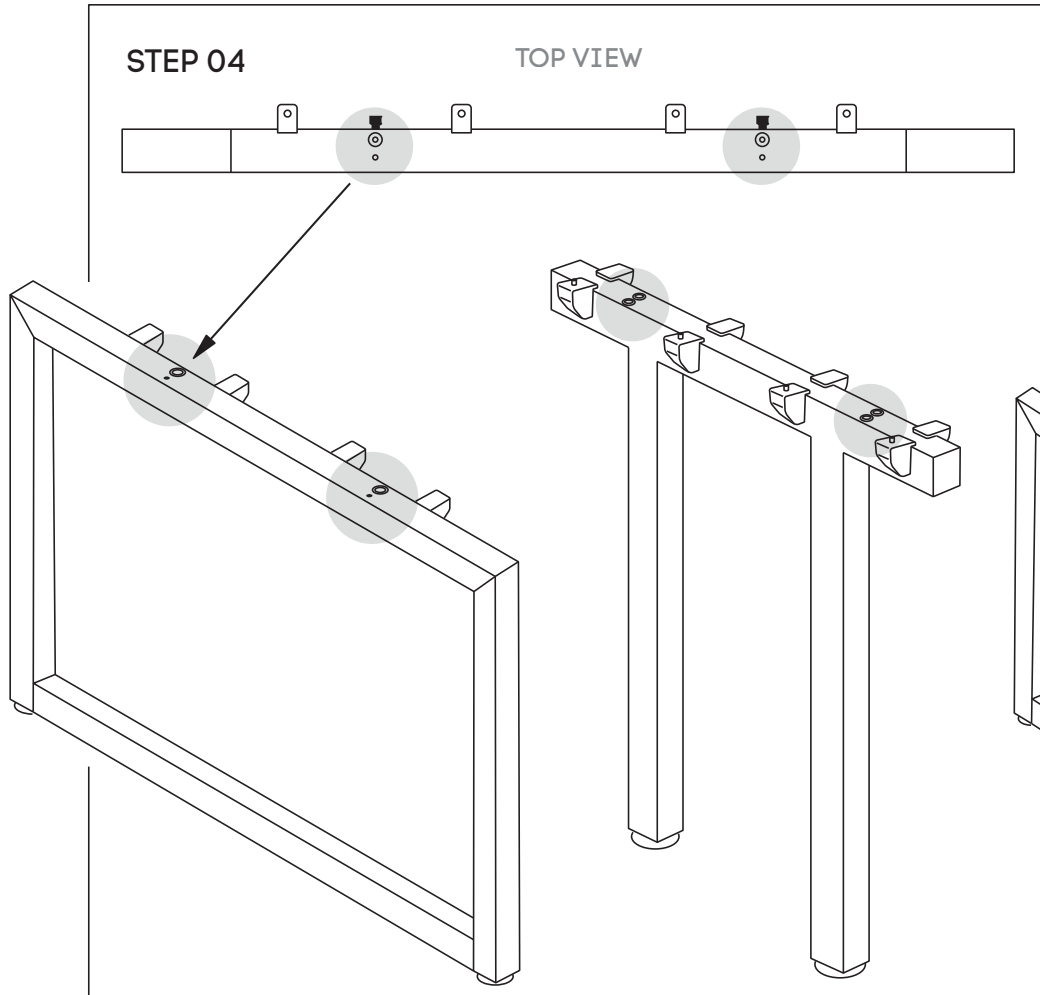
Size: 2400 mm

www.jasonl.com.au

Need help!

Call us on
1300 527 665

jason.l
your office furniture mate



Attach beam (E) to legs (B) and Connector frame (D) using nut insert in legs. See point attached

Frame looks like this. Using Allen Key, attach beam (E) with Socket (G)

ASSEMBLY INSTRUCTIONS

Quadro Loop Boardroom table

Size: 2400 mm

www.jasonl.com.au

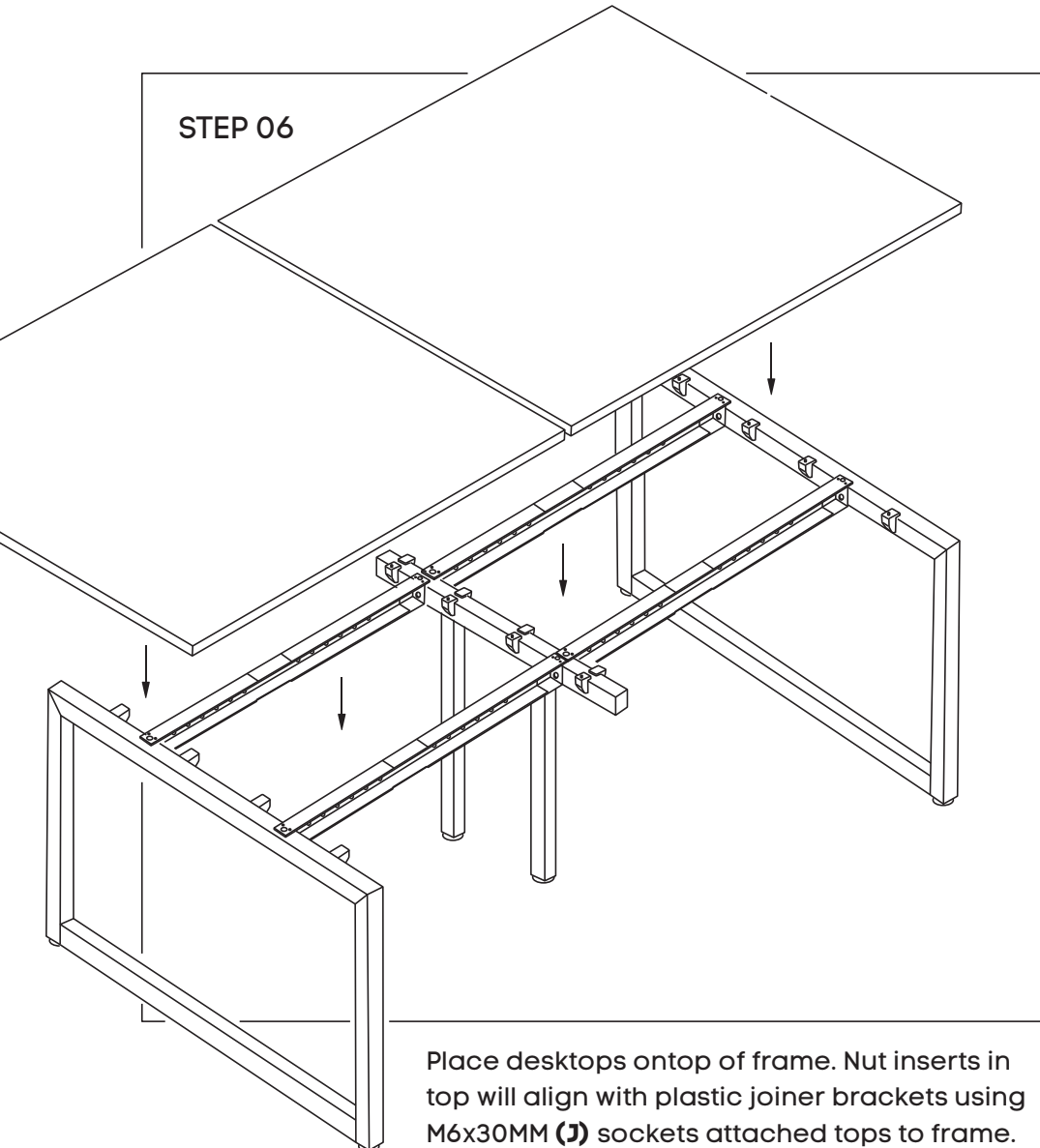
Need help!

Call us on
1300 527 665

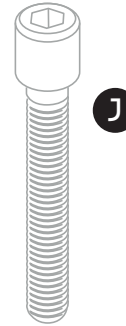
jason.l
your office furniture mate



STEP 06



Place desktops ontop of frame. Nut inserts in top will align with plastic joiner brackets using M6x30MM (J) sockets attached tops to frame.



J

TABLE TOP
BOTTOM VIEW

