

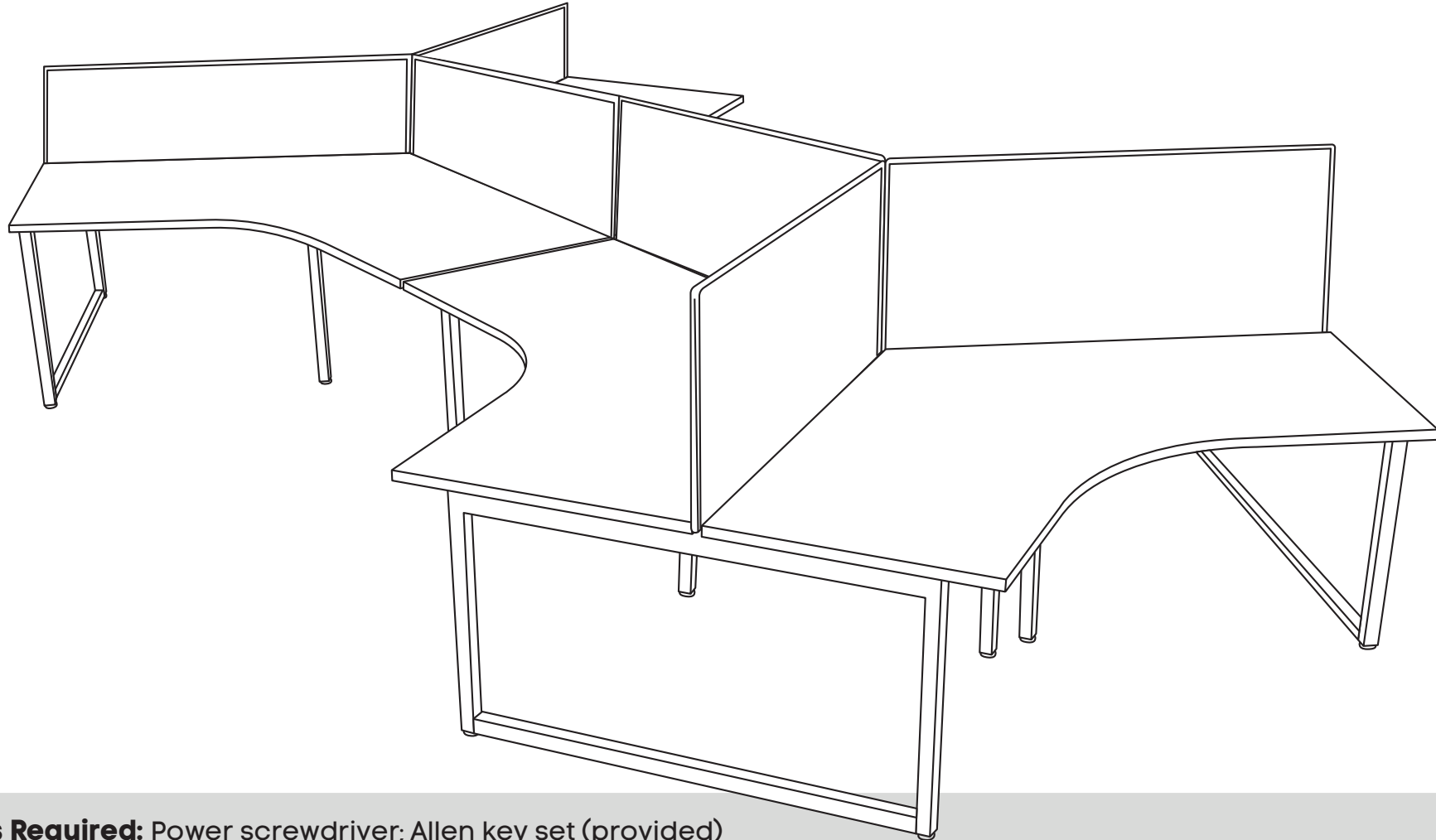
ASSEMBLY INSTRUCTIONS
Quadro Loop Legs 6P
120 Degree Workstation
with Screens

Sizes: 1200x1200x700 mm


www.jasonl.com.au

Need help!
Call us on
1300 527 665

jason.l
your office furniture mate



Tools Required: Power screwdriver; Allen key set (provided)

 2 persons required for installation

ASSEMBLY INSTRUCTIONS

Quadro Loop Legs 6P 120 Degree Workstation with Screens

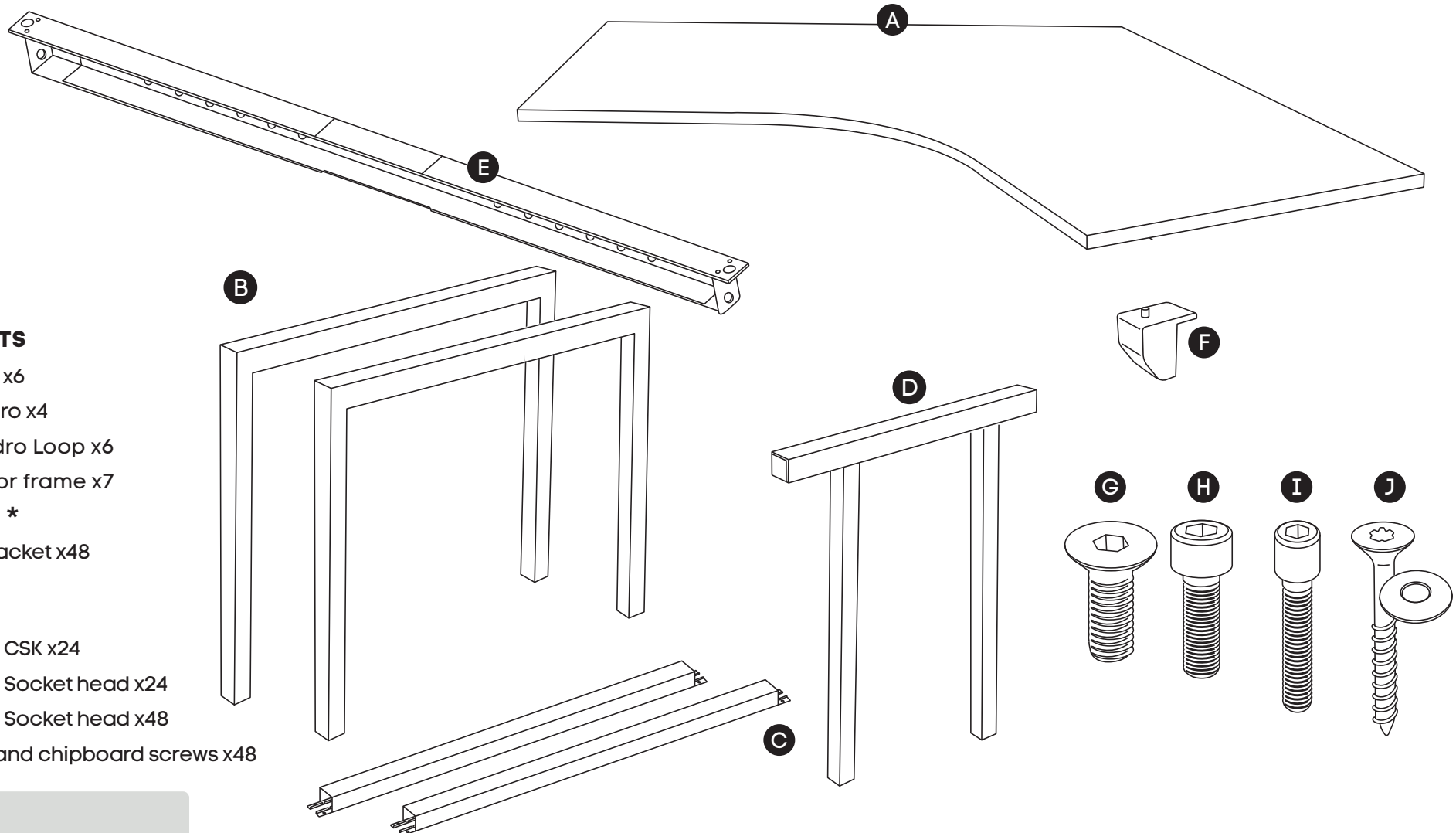
Sizes: 1200x1200x700 mm

www.jasonl.com.au

Need help!

Call us on
1300 527 665

jason.l
your office furniture mate



COMPONENTS

- A Table top x6
- B Leg Quadro x4
- C Leg Quadro Loop x6
- D Connector frame x7
- E Beam x12 *
- F Plastic bracket x48

SCREWS

- G M8x20MM CSK x24
- H M8x20MM Socket head x24
- I M6x20MM Socket head x48
- J Washers and chipboard screws x48

K Allen key

* Colour of the beam is always black, regardless desk frame colour.

ASSEMBLY INSTRUCTIONS

Quadro Loop Legs 6P 120 Degree Workstation with Screens

Sizes: 1200x1200x700 mm

www.jasonl.com.au

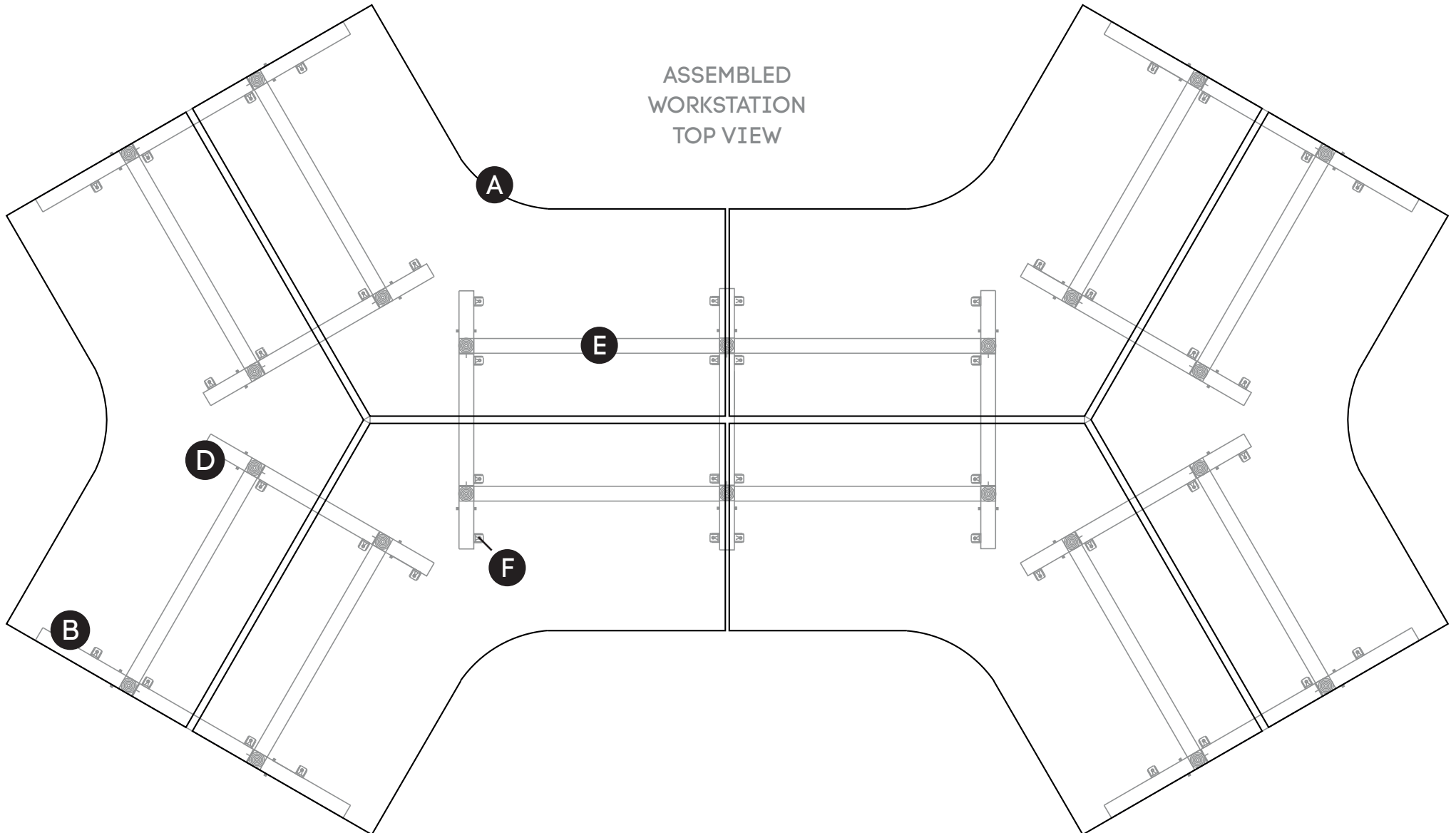
Need help!

Call us on
1300 527 665

jason.l
your office furniture mate



ASSEMBLED
WORKSTATION
TOP VIEW



ASSEMBLY INSTRUCTIONS

Quadro Loop Legs 6P 120 Degree Workstation with Screens

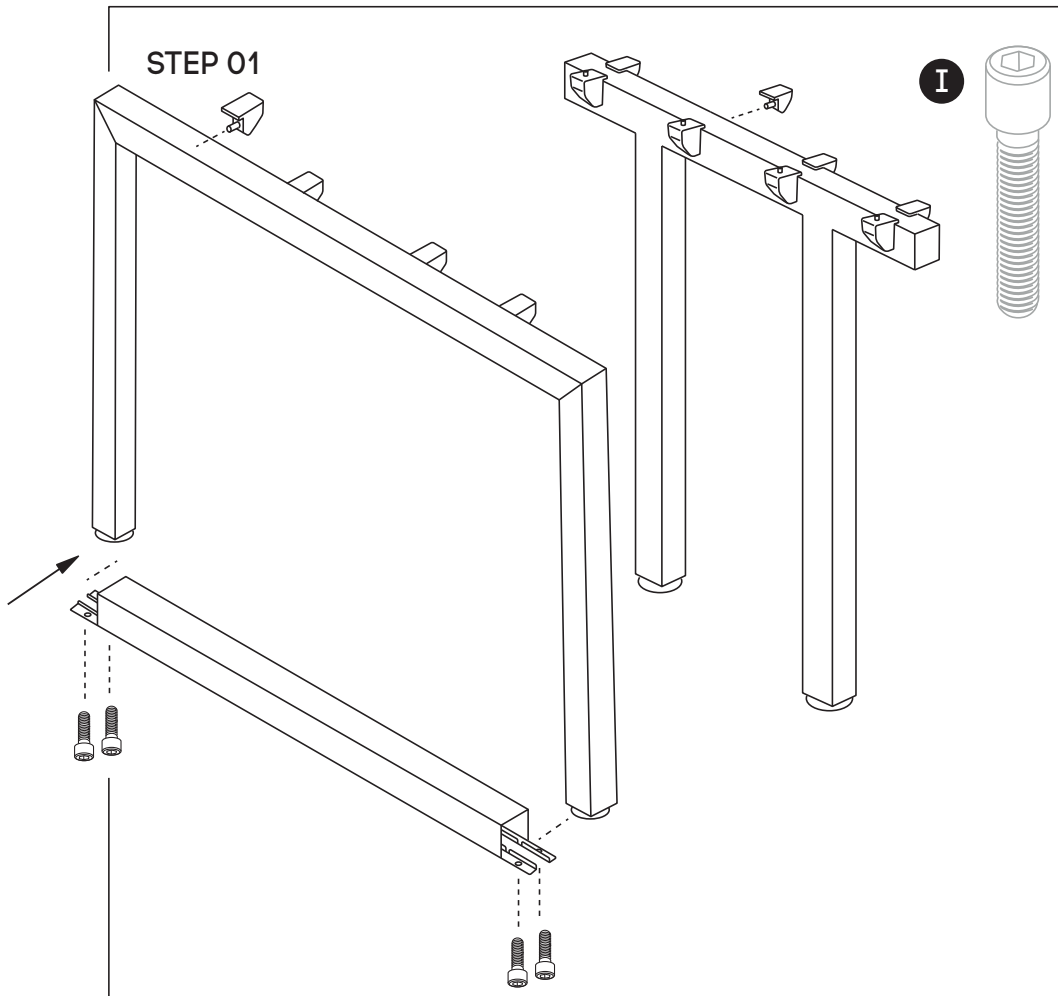
Sizes: 1200x1200x700 mm

www.jasonl.com.au

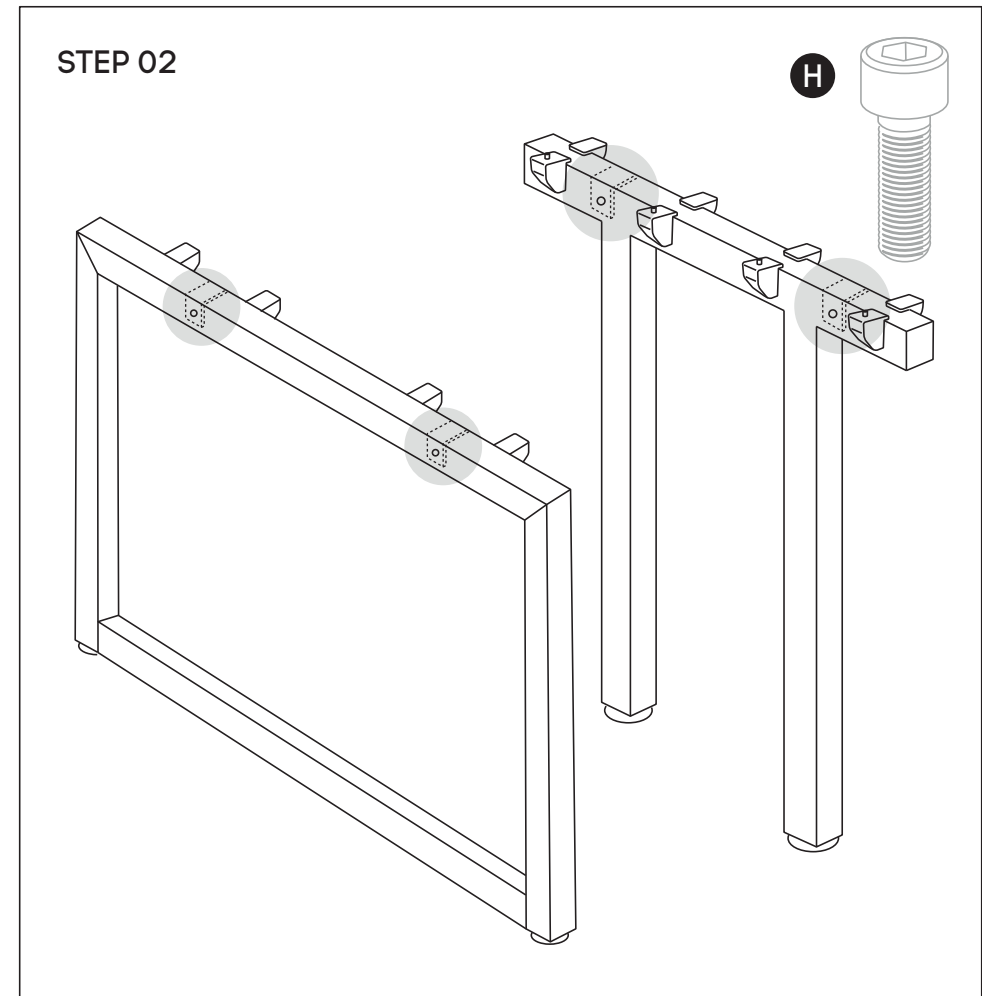
Need help!

Call us on
1300 527 665

jason.l
your office furniture mate



Using Allen Key provided, attach 4 plastic brackets per leg **(F)** (as per picture above) using M6x20MM **(I)** Socket head screw. Do the same with Connector frame **(D)**. Connect Loop Legs **(C)** to Bottom of Quadro Legs **(B)** by using 4 bolts per leg



Using Allen Key provided, attach M8x20MM Socket head **(H)**-screw socket half way into leg for both legs **(B)** and into Connector frame **(D)**.

ASSEMBLY INSTRUCTIONS

Quadro Loop Legs 6P 120 Degree Workstation with Screens

Sizes: 1200x1200x700 mm

www.jasonl.com.au

Need help!
Call us on
1300 527 665

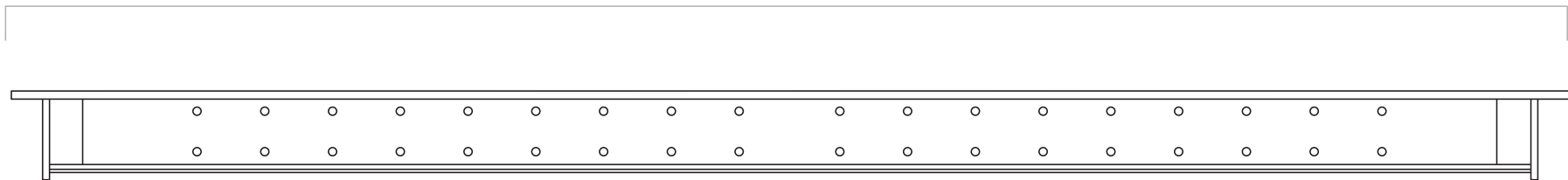
jason.l
your office furniture mate



STEP 03

Please set extendable beam **(E)** to 800mm length and secure beam at that length using screws provided

800



ASSEMBLY INSTRUCTIONS

Quadro Loop Legs 6P 120 Degree Workstation with Screens

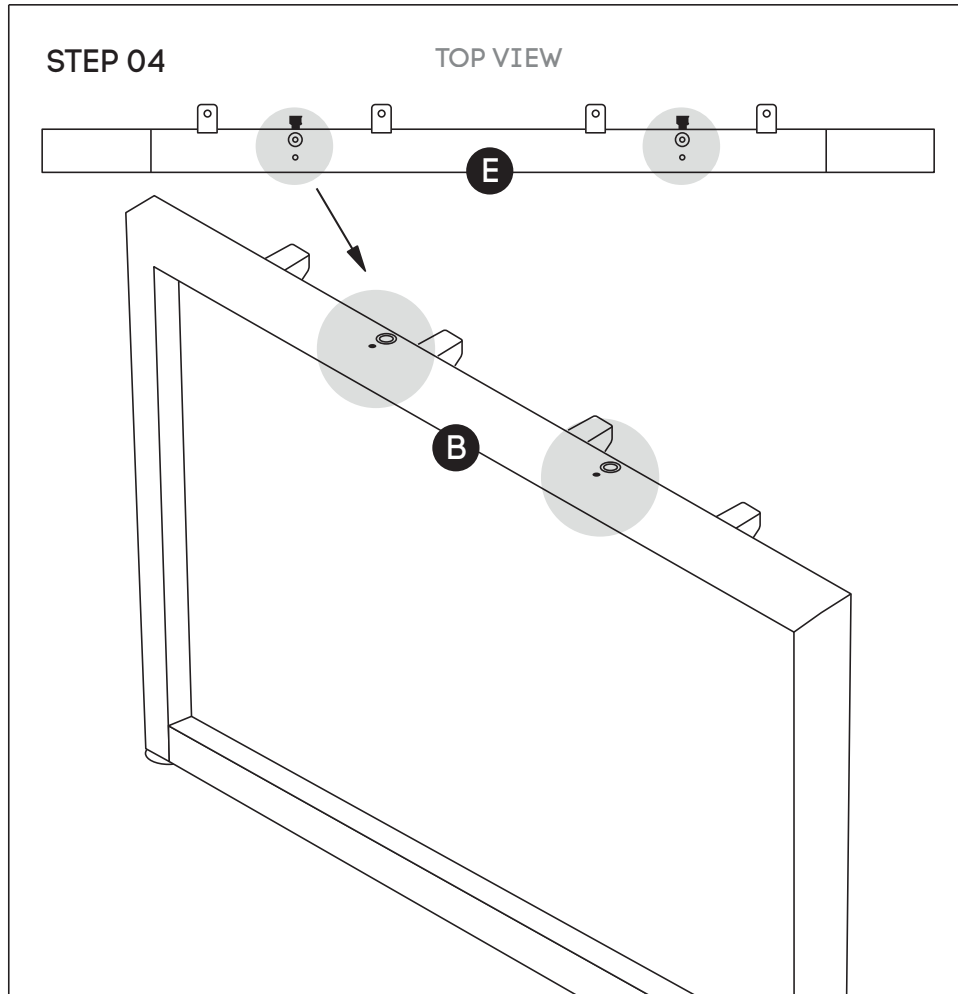
Sizes: 1200x1200x700 mm

www.jasonl.com.au

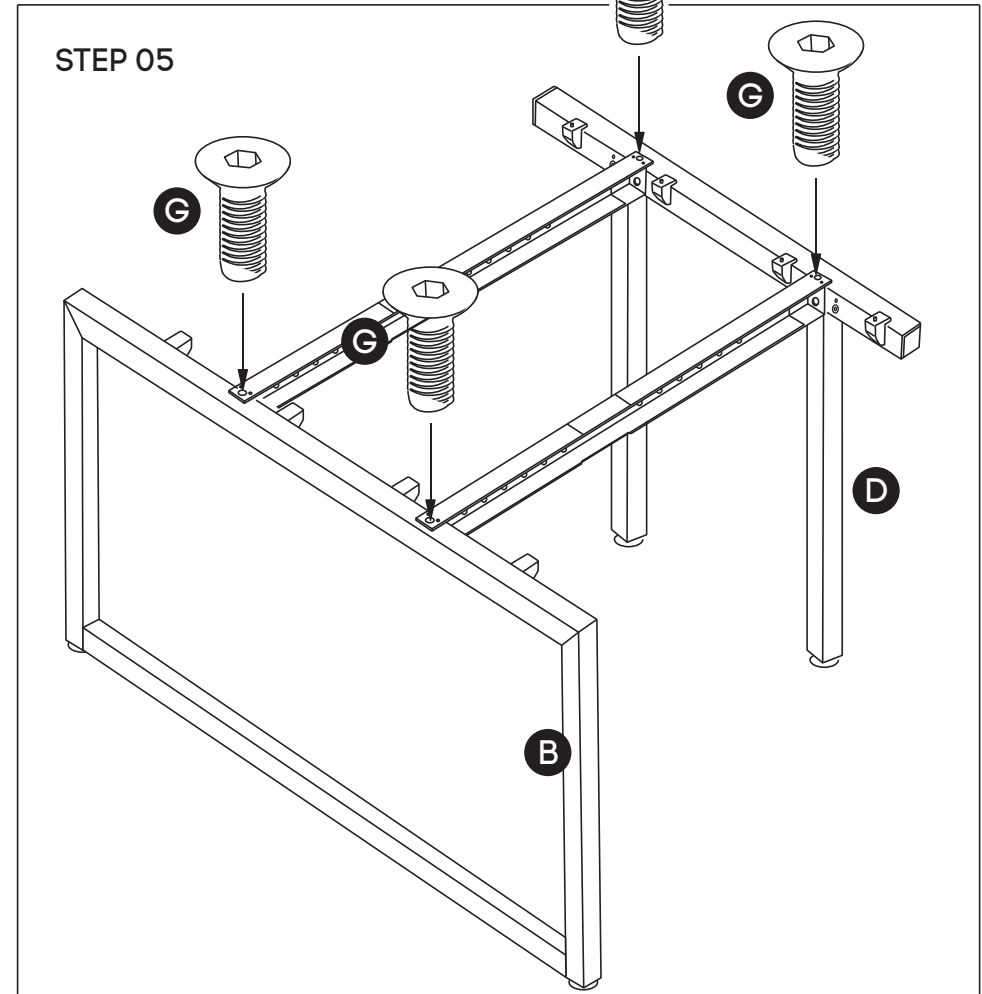
Need help!

Call us on
1300 527 665

jason.l
your office furniture mate



Attach beam (E) to legs (B) using nut insert in legs. See point attached



Frame looks like this. Using Allen Key, attach beam (E) with Socket (G)

ASSEMBLY INSTRUCTIONS

Quadro Loop Legs 6P 120 Degree Workstation with Screens

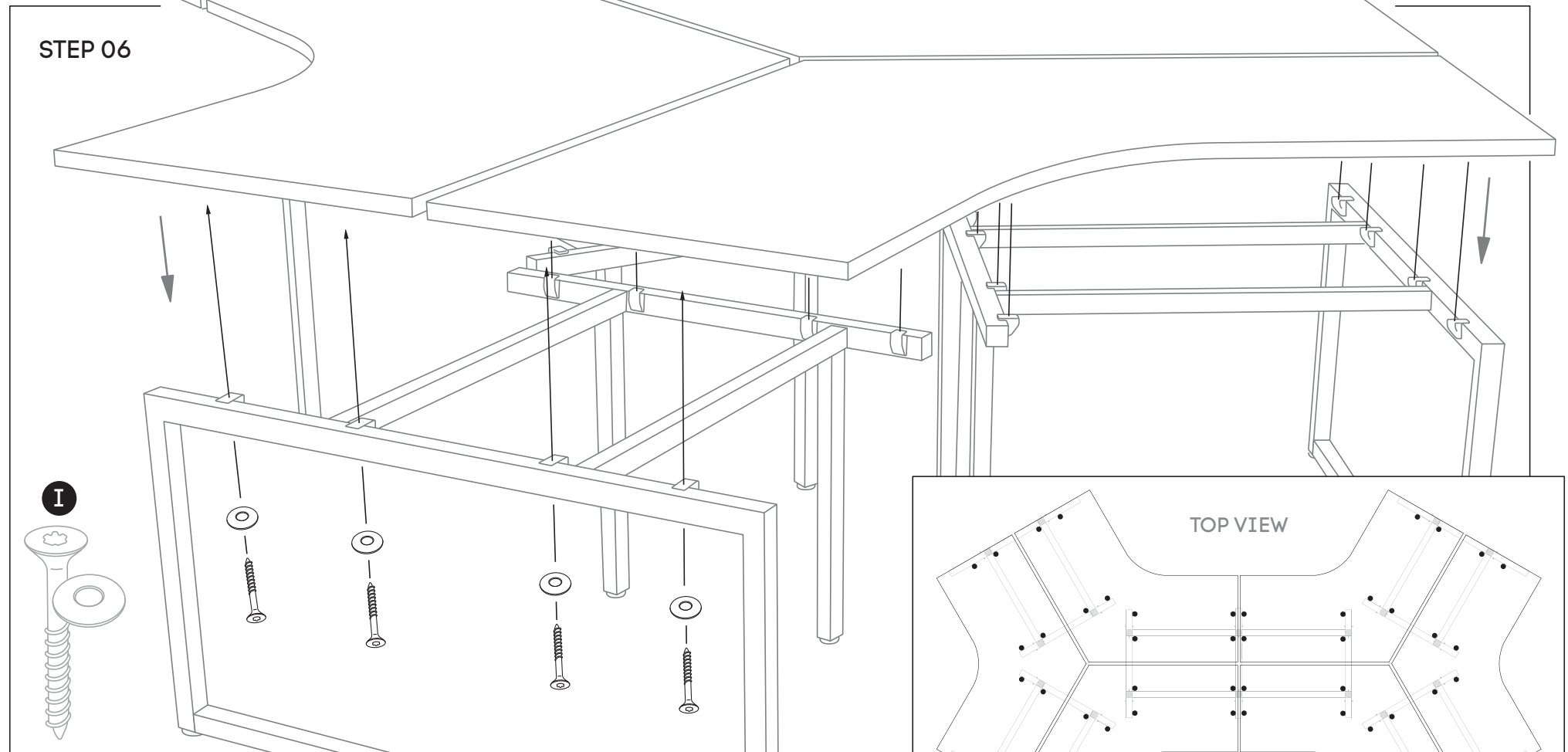
www.jasonl.com.au

Need help!
Call us on
1300 527 665

jason.l
your office furniture mate



Sizes: 1200x1200x700 mm



Place desktop on top of the frame leaving a 25mm gap between them. Tops will need to be drilled using 30mm chipboard screws. Please put washers underneath the plastic brackets hole before drilling the screws into the Tops.

ASSEMBLY INSTRUCTIONS

Quadro Loop Legs 6P 120 Degree Workstation with Screens

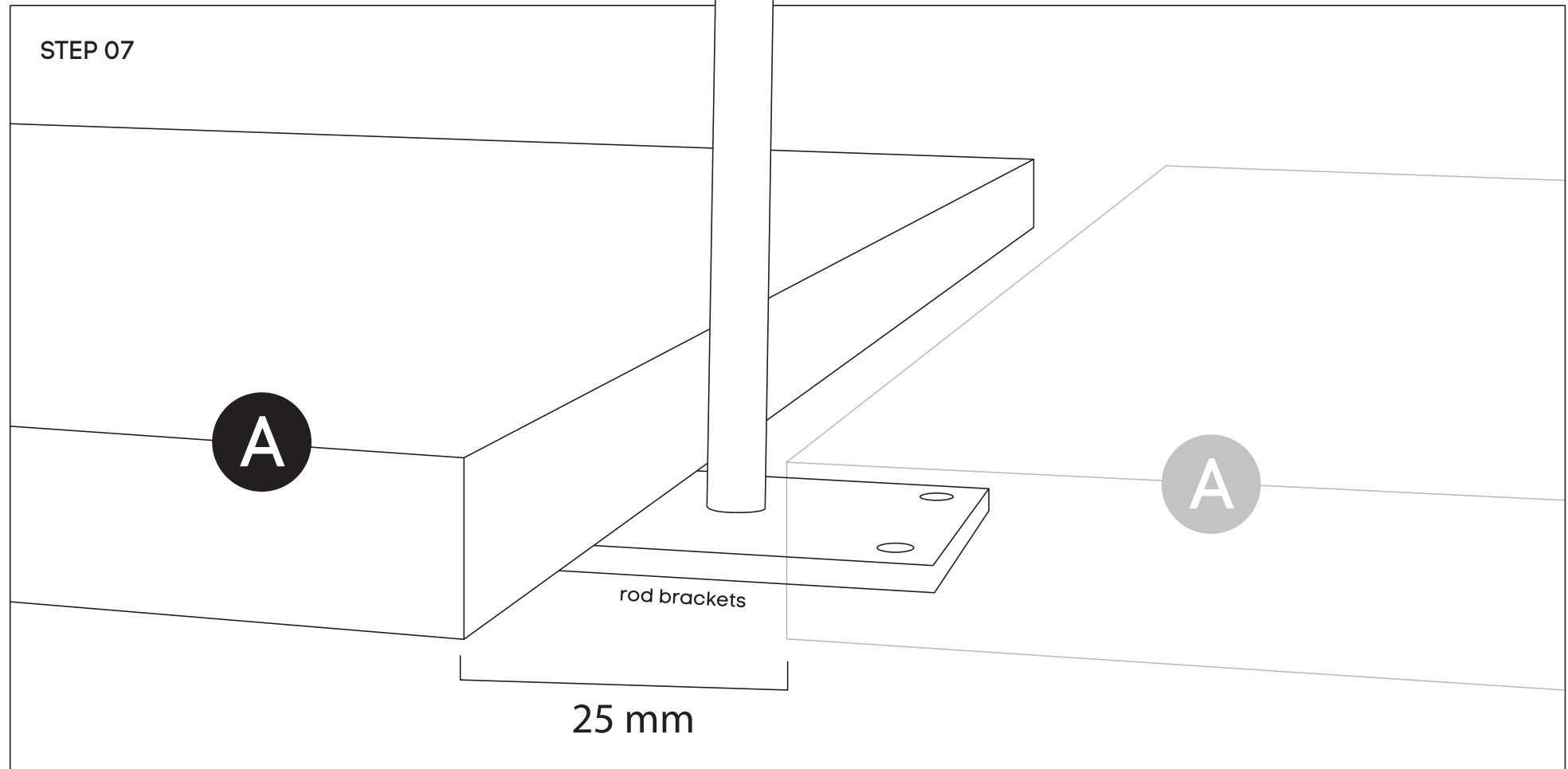
www.jasonl.com.au

Need help!
Call us on
1300 527 665

jason.l
your office furniture mate



120 Degree table top size: 1200x1200x700 mm



Drop the desk mounted screen in between the two tops (A). Now please insert 2 rod brackets that will hold each screen to the desks on either side.

ASSEMBLY INSTRUCTIONS

Quadro Loop Legs 6P 120 Degree Workstation with Screens

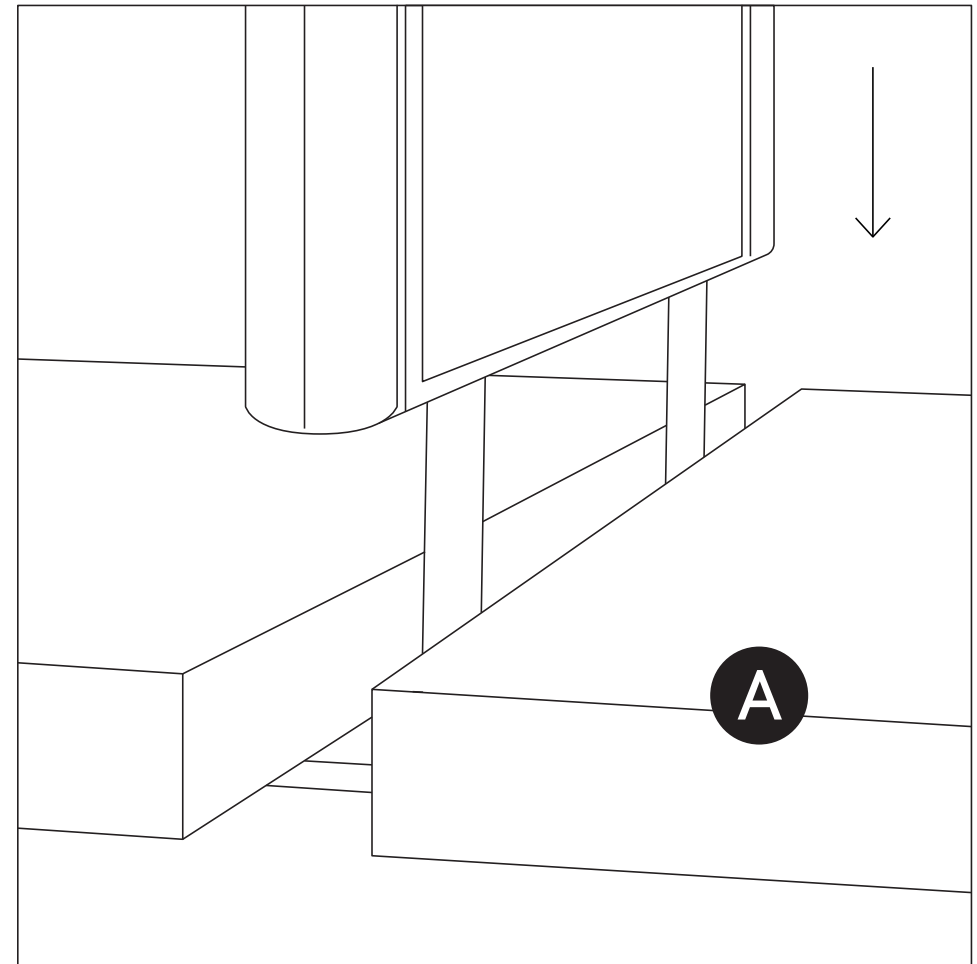
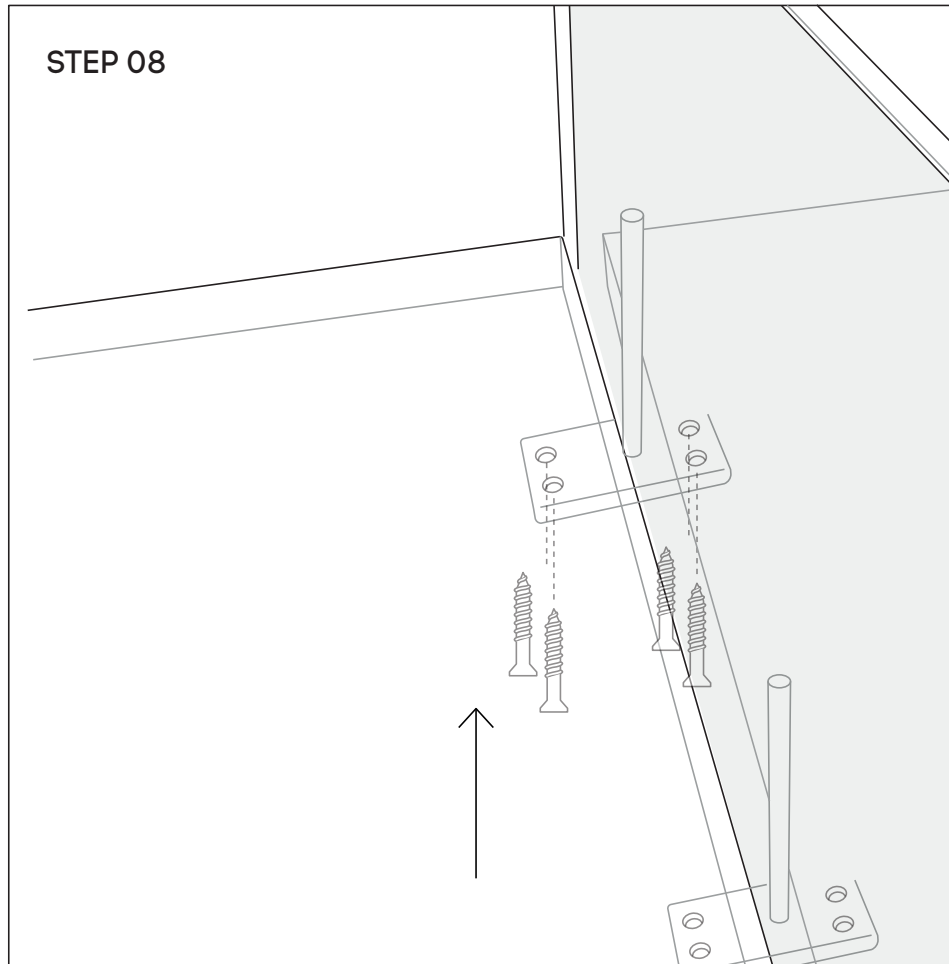
www.jasonl.com.au

Need help!
Call us on
1300 527 665

jason.l
your office furniture mate



120 Degree table top size: 1200x1200x700 mm



Second person to drill 4 holes into the brackets holes with provided wood screws into the underneath desktop. Please check the position of the rod brackets and bracket holes again before drilling the screws all the way through. Please tighten all the wood screws.

Once the 2 rod brackets are screwed in, you can slide the screen down until it fully rest over the brackets, standing between both table tops.

ASSEMBLY INSTRUCTIONS
Quadro Loop Legs 6P
120 Degree Workstation
with Screens

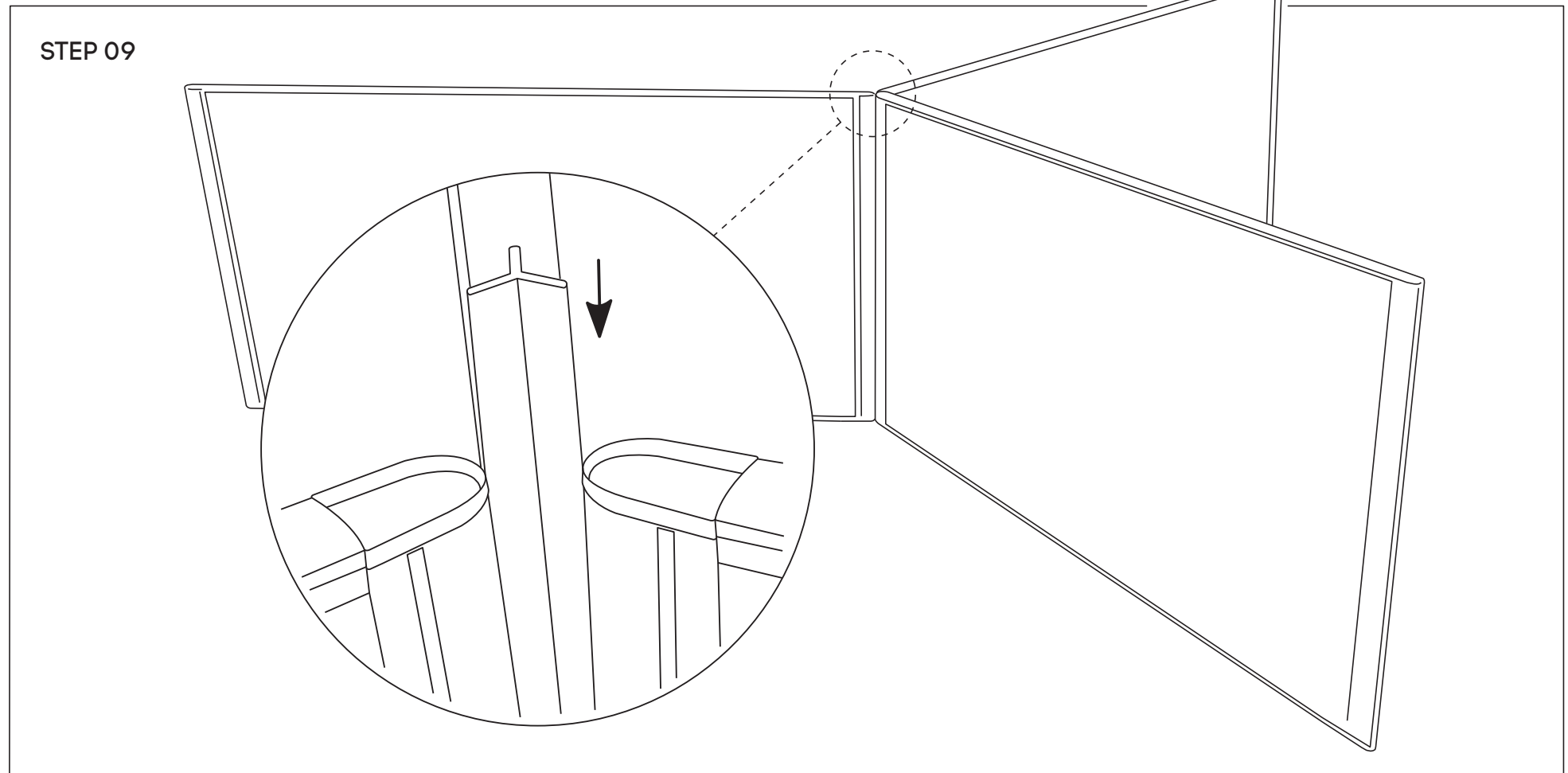
www.jasonl.com.au

Need help!
Call us on
1300 527 665

jason.l
your office furniture mate



120 Degree table top size: 1200x1200x700 mm



Using an allen key, please remove 3 caps from all screens. Bring 3 partitions towards one another and slide the 3-way 120 degree connector -down between the three screen uprights.