

**ASSEMBLY INSTRUCTIONS**  
**Quadro Loop**  
**3P Run workstation**

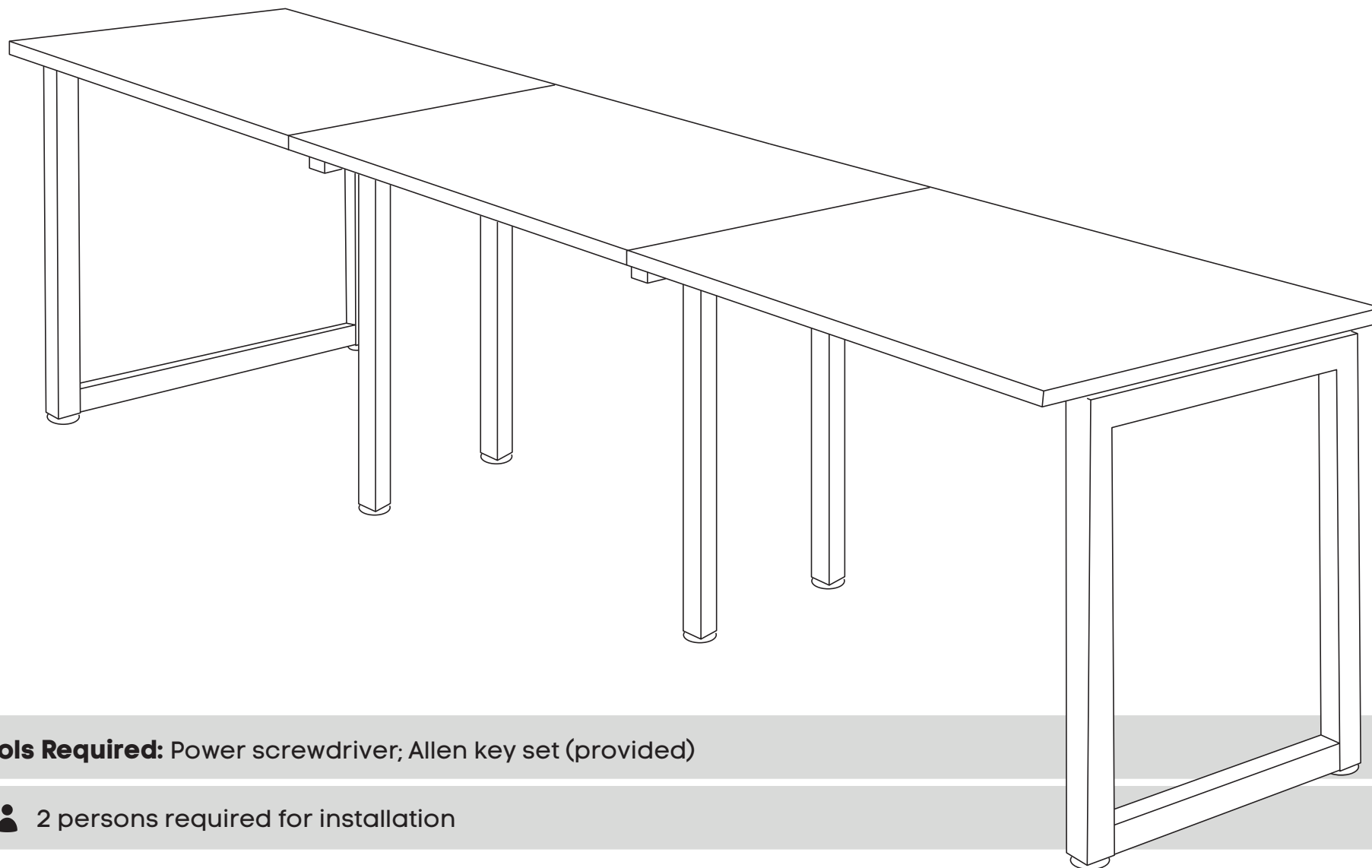
Sizes: 1200, 1400, 1600, 1800 mm

[www.jasonl.com.au](http://www.jasonl.com.au)


**Need help!**

Call us on  
**1300 527 665**

**jason.l**  
your office furniture mate



**Tools Required:** Power screwdriver; Allen key set (provided)

 2 persons required for installation

# ASSEMBLY INSTRUCTIONS

## Quadro Loop 3P Run workstation

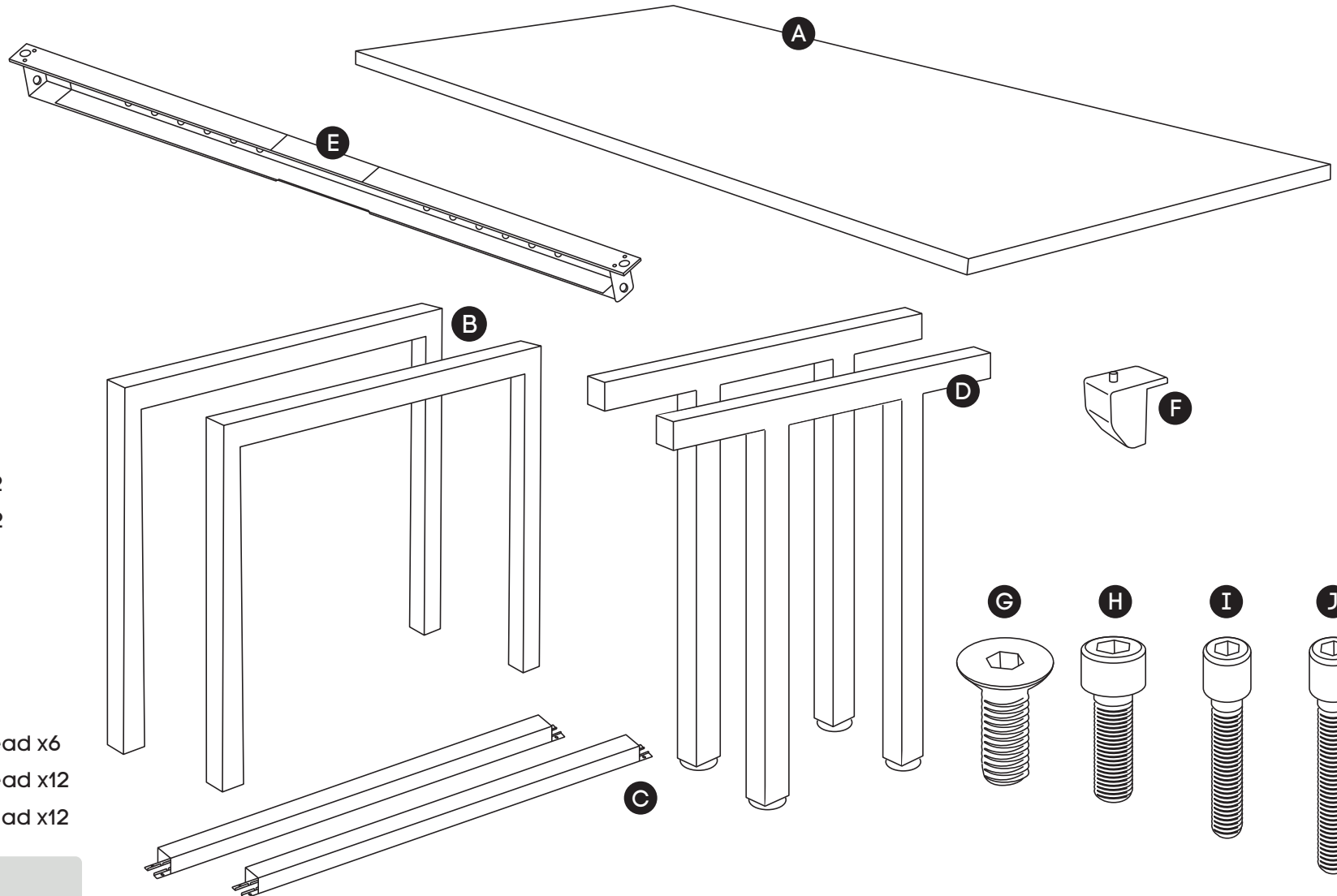
Sizes: 1200, 1400, 1600, 1800 mm

[www.jasonl.com.au](http://www.jasonl.com.au)

**Need help!**

Call us on  
**1300 527 665**

**jason.l**  
your office furniture mate



### COMPONENTS

- A Table top x3
- B Leg Quadro x2
- C Leg Quadro Loop x2
- D Connector frame x2
- E Beam x3 \*
- F Plastic bracket x12

### SCREWS

- G M8x20MM CSK x6
- H M8x20MM Socket head x6
- I M6x20MM Socket head x12
- J M6x30MM Socket head x12

- K Allen key x2

\* Colour of the beam is always black, regardless desk frame colour.

# ASSEMBLY INSTRUCTIONS

## Quadro Loop

### 3P Run workstation

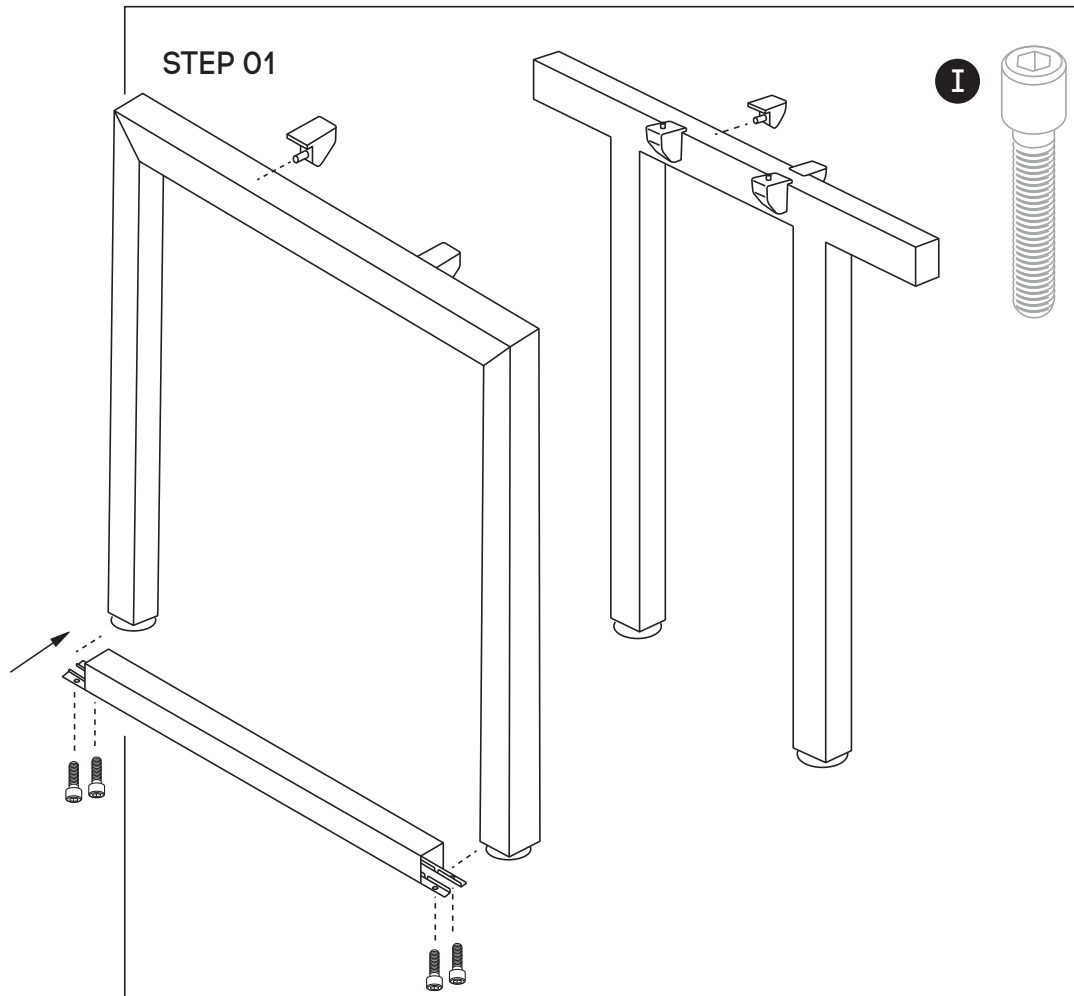
Sizes: 1200, 1400, 1600, 1800 mm

[www.jasonl.com.au](http://www.jasonl.com.au)

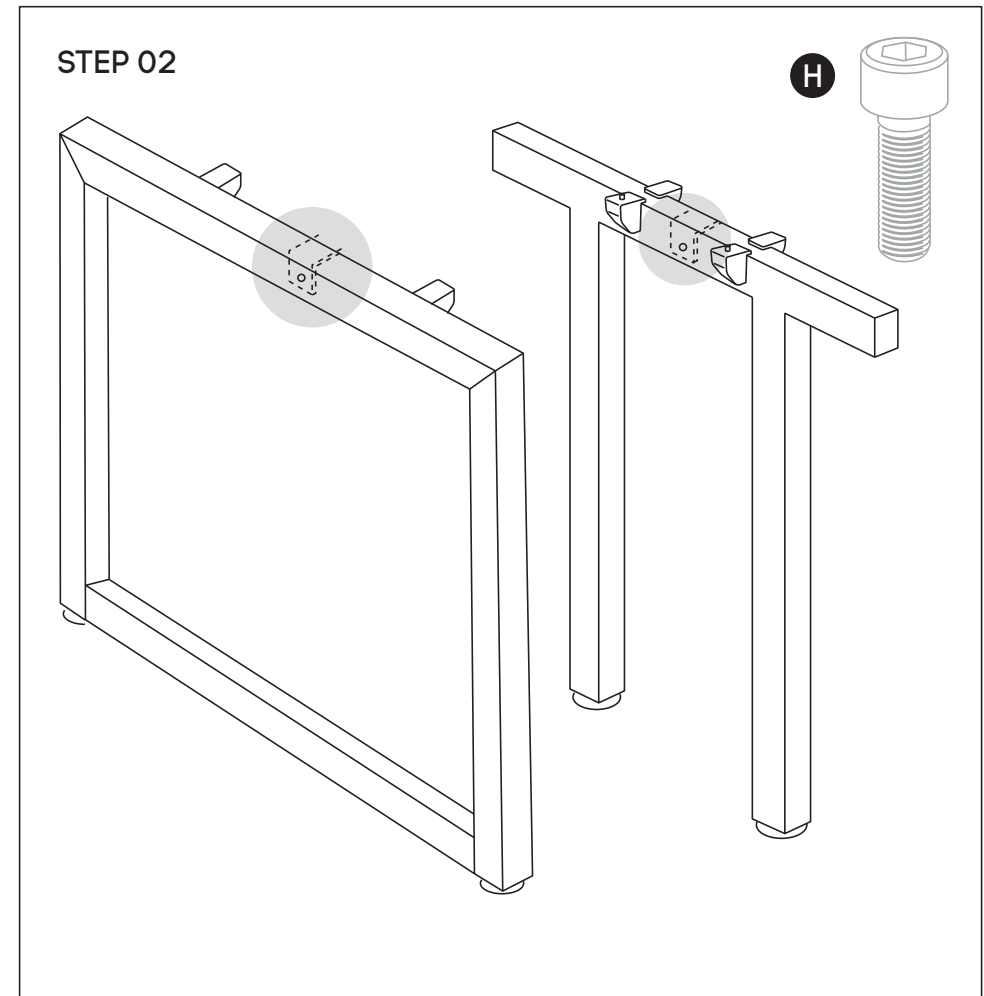
**Need help!**

Call us on  
**1300 527 665**

**jason.l**  
your office furniture mate



Using Allen Key provided, attach 2 plastic brackets per leg **(F)** (as per picture above) using M6x20MM **(I)** Socket head screw. Do the same with Connector frame **(D)**. Connect Loop Legs **(C)** to Bottom of Quadro Legs **(B)** by using 4 bolts per leg



Using Allen Key provided, attach M8x20MM Socket head **(H)**-screw socket half way into leg for both legs **(B)** and into Connector frame **(D)**.

# ASSEMBLY INSTRUCTIONS

## Quadro Loop

### 3P Run workstation

Sizes: 1200, 1400, 1600, 1800 mm

[www.jasonl.com.au](http://www.jasonl.com.au)

**Need help!**

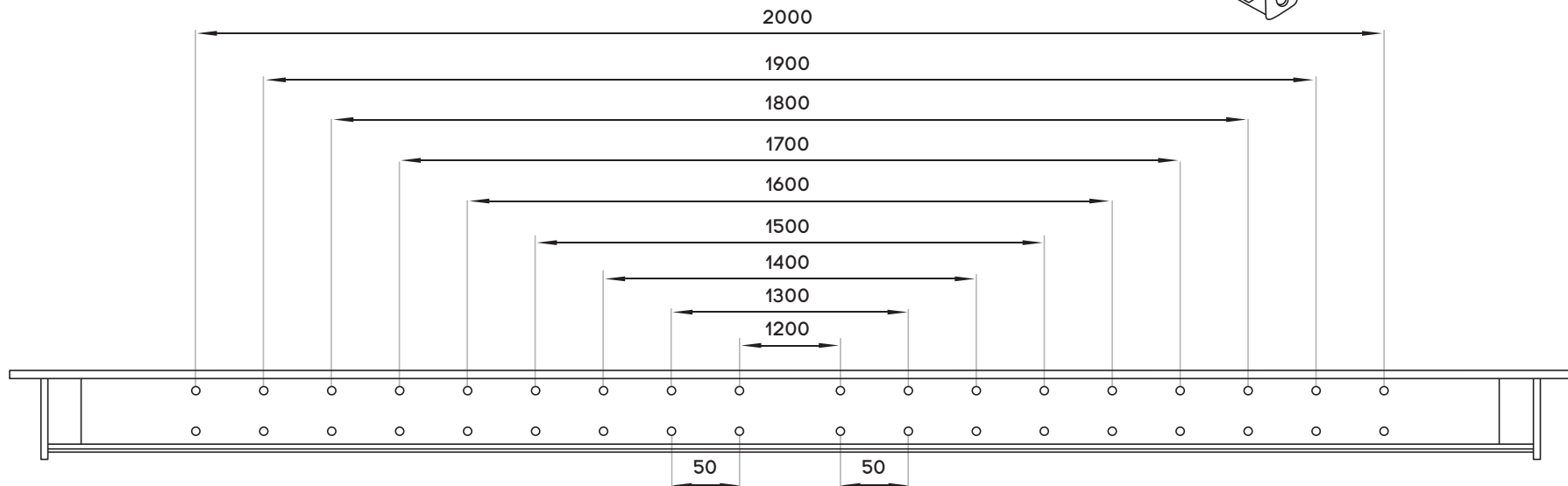
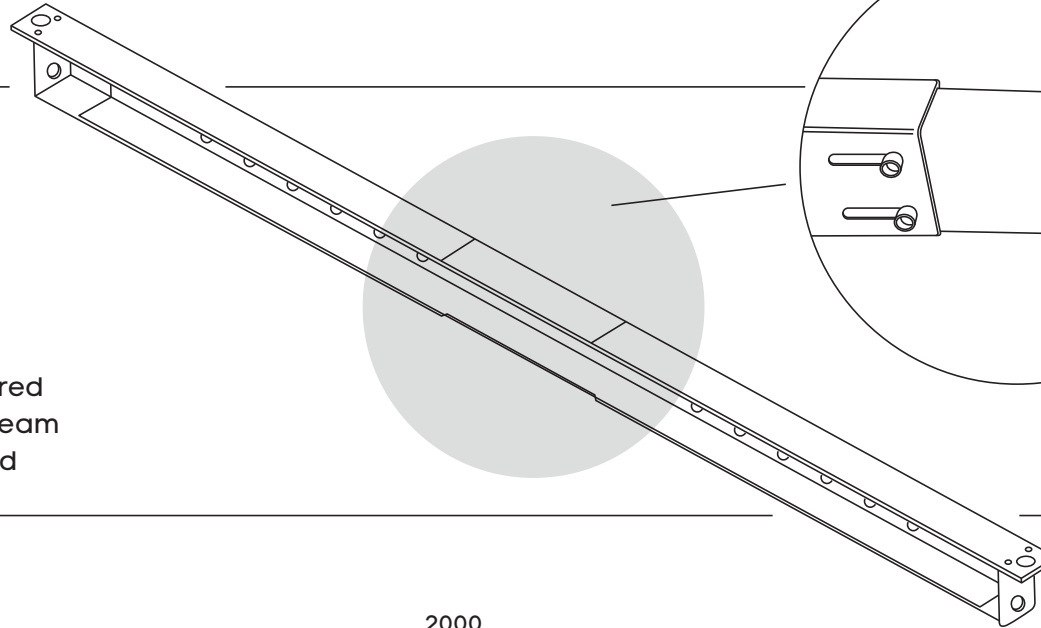
Call us on  
**1300 527 665**

**jason.l**  
your office furniture mate



#### STEP 03

Adjust extendable beam **(E)** to desired length using markers and secure beam at that length using screws provided



# ASSEMBLY INSTRUCTIONS

## Quadro Loop

### 3P Run workstation

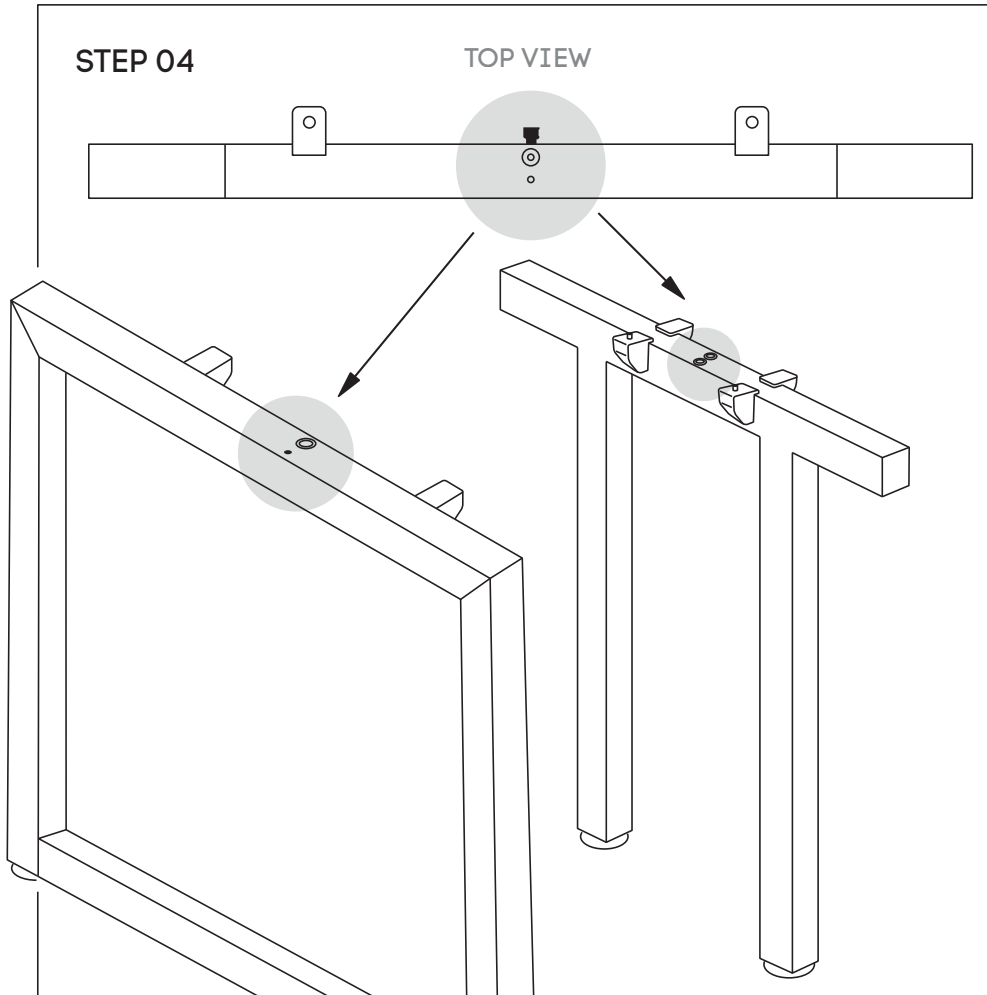
Sizes: 1200, 1400, 1600, 1800 mm

[www.jasonl.com.au](http://www.jasonl.com.au)

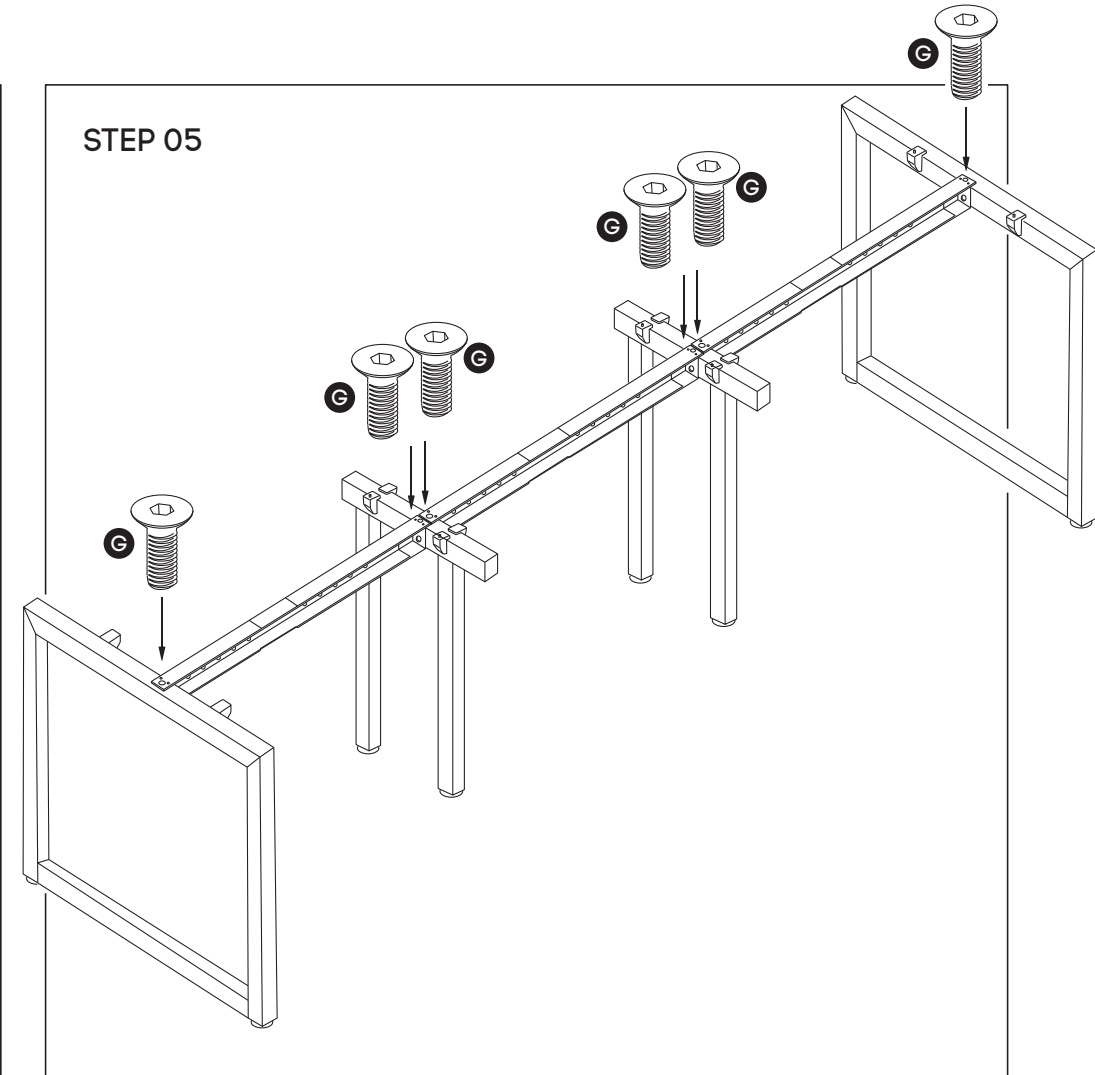
**Need help!**

Call us on  
**1300 527 665**

**jason.l**  
your office furniture mate



Attach beam **(E)** to legs **(B)** and Connector frame **(D)** using nut insert in legs. See point attached



Frame looks like this. Using Allen Key, attach beam **(E)** with Socket **(G)**

# ASSEMBLY INSTRUCTIONS

## Quadro Loop

### 3P Run workstation

Sizes: 1200, 1400, 1600, 1800 mm

[www.jasonl.com.au](http://www.jasonl.com.au)

**Need help!**

Call us on  
**1300 527 665**

**jason.l**  
your office furniture mate



STEP 06

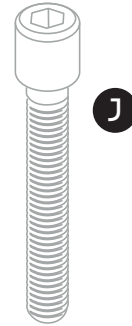
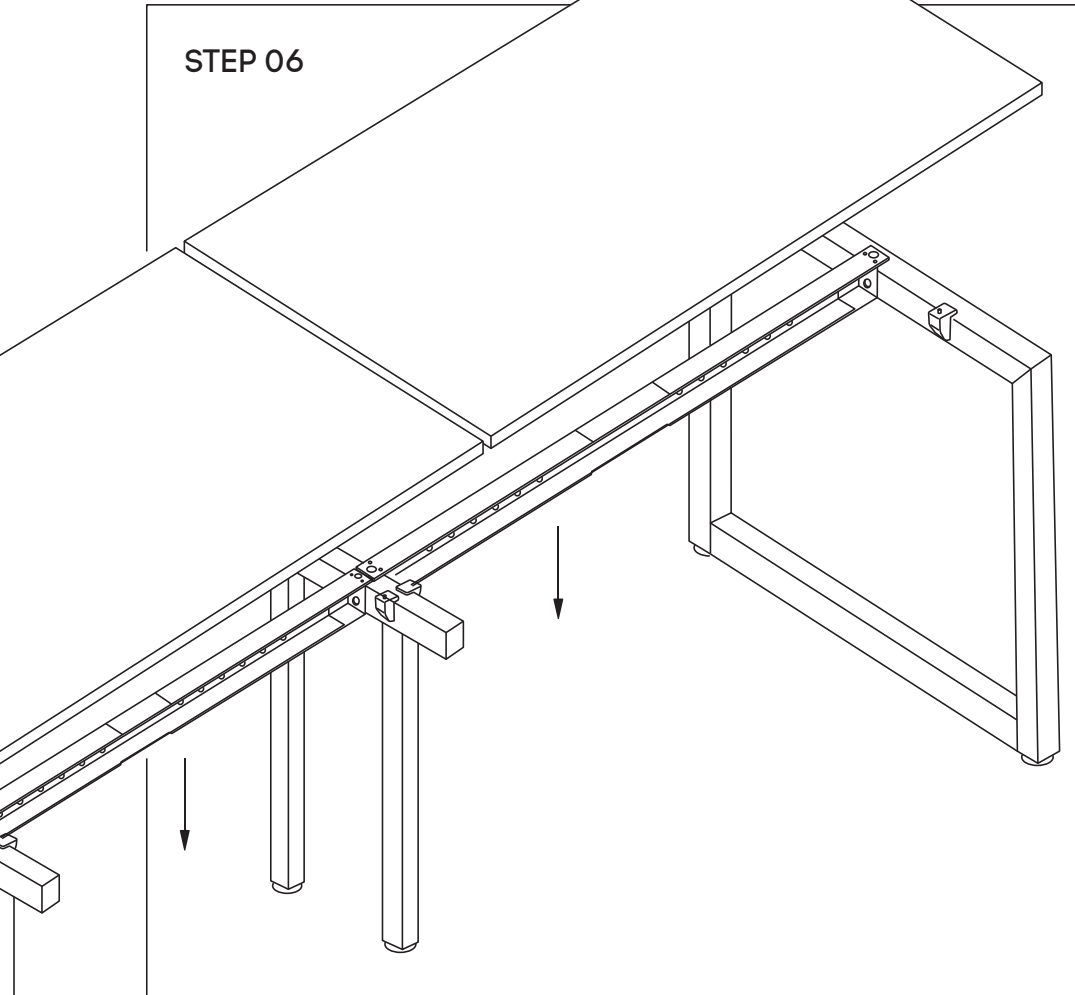
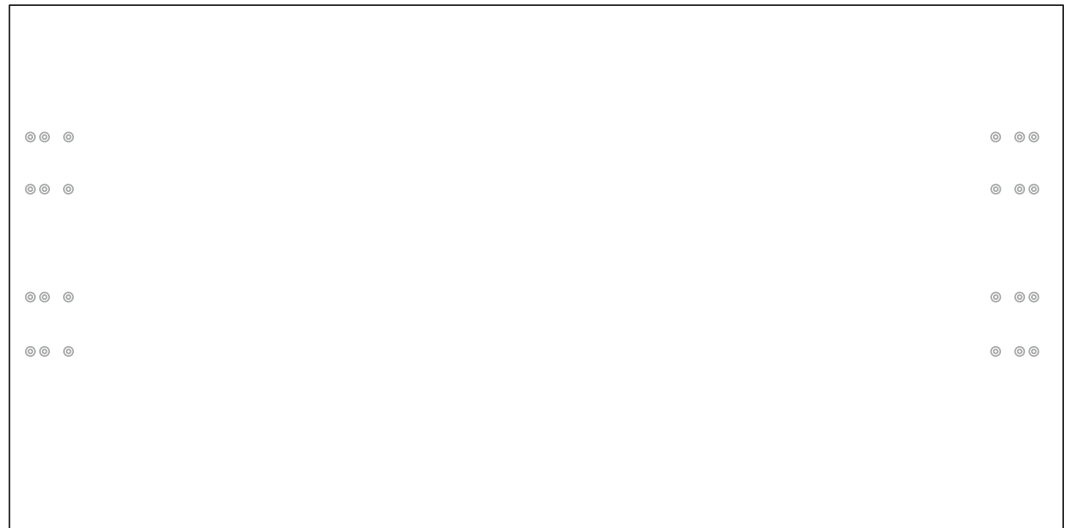


TABLE TOPS  
BOTTOM VIEW



Place desktops ontop of frame. Nut inserts in top will align with plastic joiner brackets using M6x30MM (J) sockets attach tops to frame.

# ASSEMBLY INSTRUCTIONS

## Quadro Loop

### 3P Run workstation

Sizes: 1200, 1400, 1600, 1800 mm

[www.jasonl.com.au](http://www.jasonl.com.au)

**Need help!**

Call us on  
**1300 527 665**

**jason.l**  
your office furniture mate



#### TABLE TOPS BOTTOM VIEW

The following nut inserts should be used for this specific desk / workstation

