

# ASSEMBLY INSTRUCTIONS

## Quadro A Leg Counter Frame

[www.jasonl.com.au](http://www.jasonl.com.au)

**Need help!**

Call us on  
**1300 527 665**

**jason.l**  
your office furniture mate



### Sizes:

1000x1000

1200x700

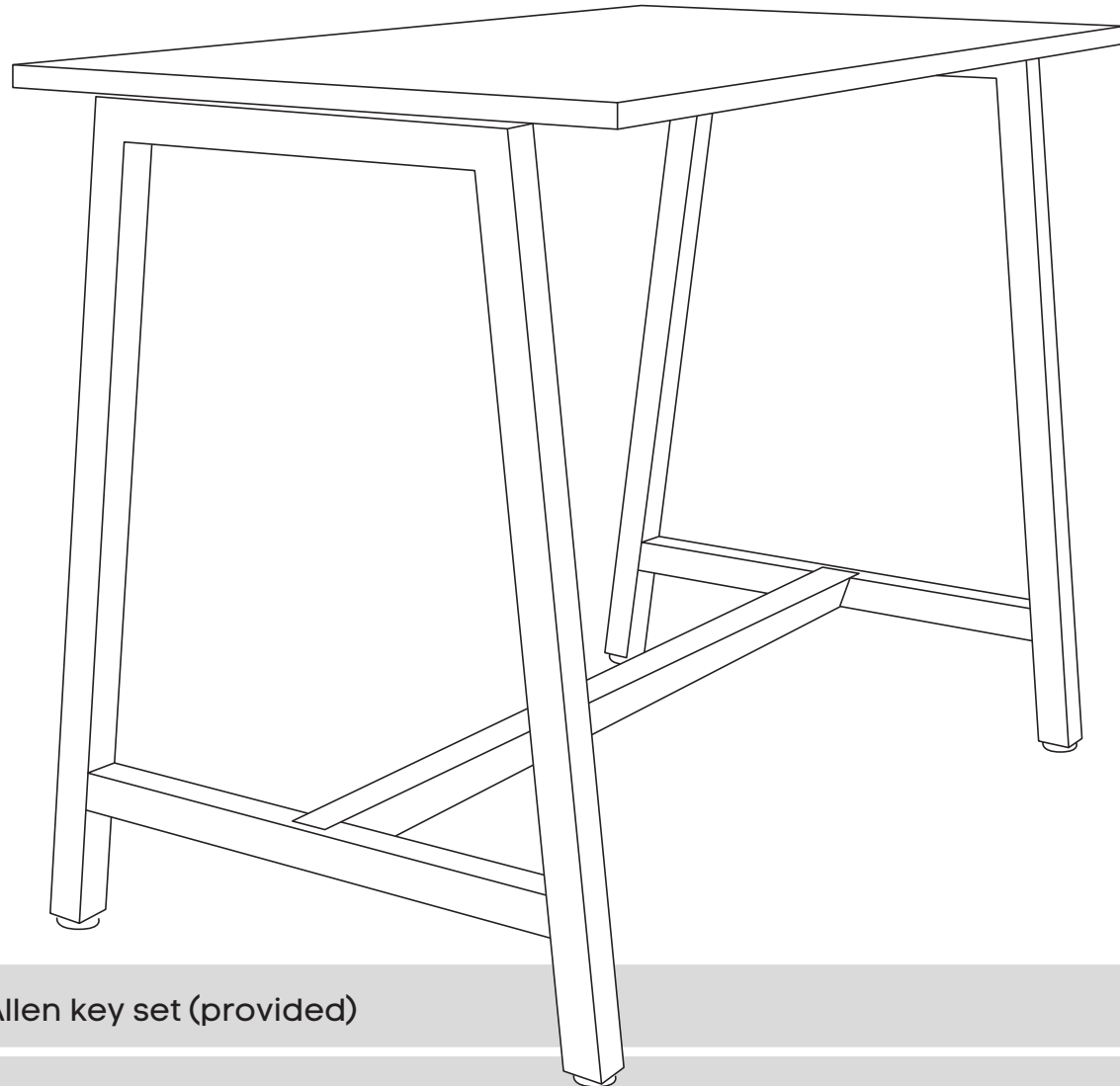
1200x1200

1400x700

1600x700

1800x700

2000x700



**Tools Required:** Power screwdriver; Allen key set (provided)



2 persons required for installation

# ASSEMBLY INSTRUCTIONS

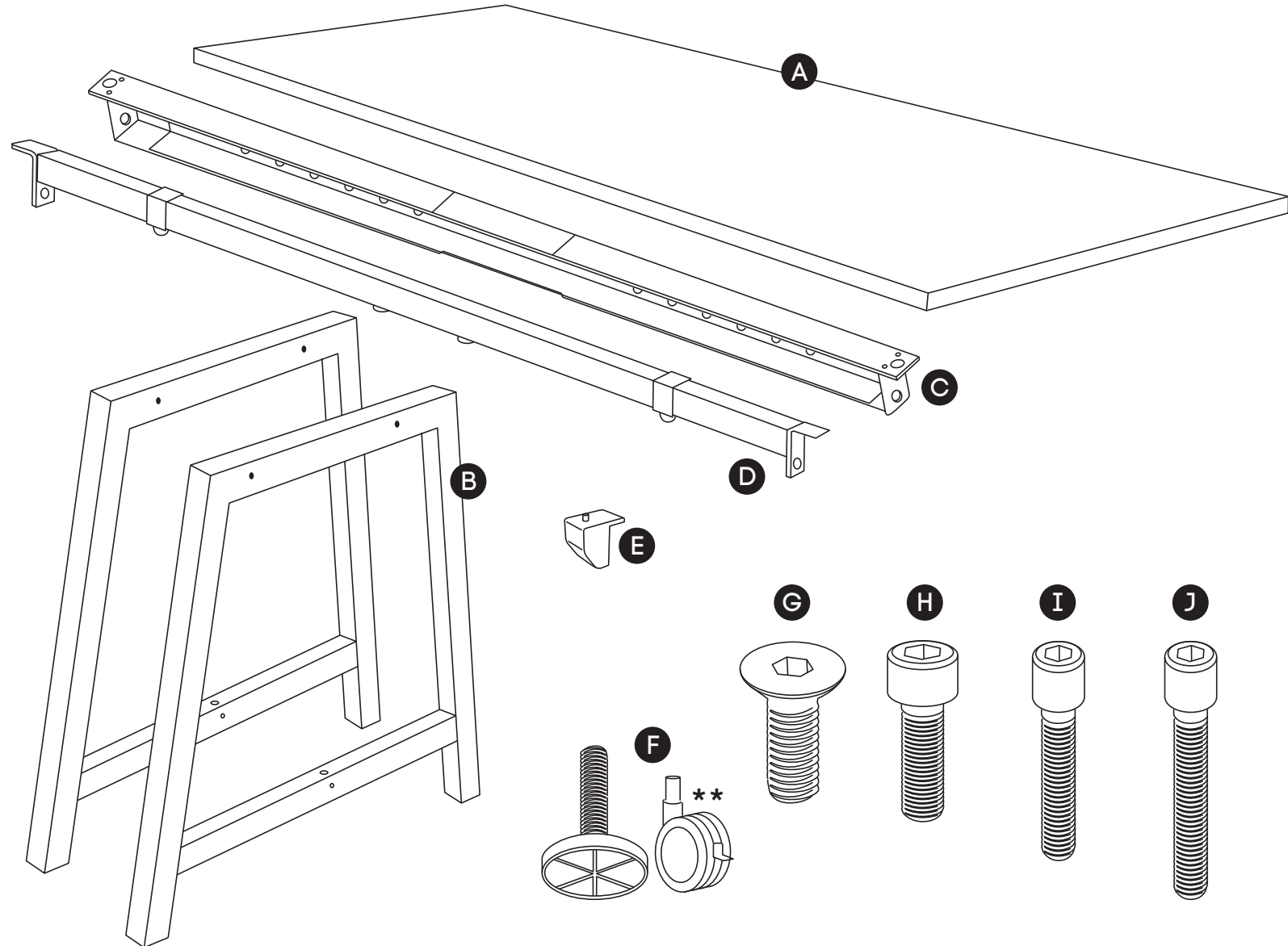
## Quadro A Leg Counter Frame

[www.jasonl.com.au](http://www.jasonl.com.au)

**Need help!**

Call us on  
**1300 527 665**

**jason.l**  
your office furniture mate



### COMPONENTS

- A Table top x1
- B Leg Quadro A x2
- C Upper Beam x1 \*
- D Lower Beam x1
- E Plastic bracket x4
- F Feets or Wheels x4 \*\*

### SCREWS

- G M8x20MM CSK x4
- H M8x20MM Socket head x4
- I M6x20MM Socket head x4
- J M6x30MM Socket head x4

- K Allen key x2

\* Colour of the beam is always black, regardless desk frame colour.

\*\* If you purchase with wheels option

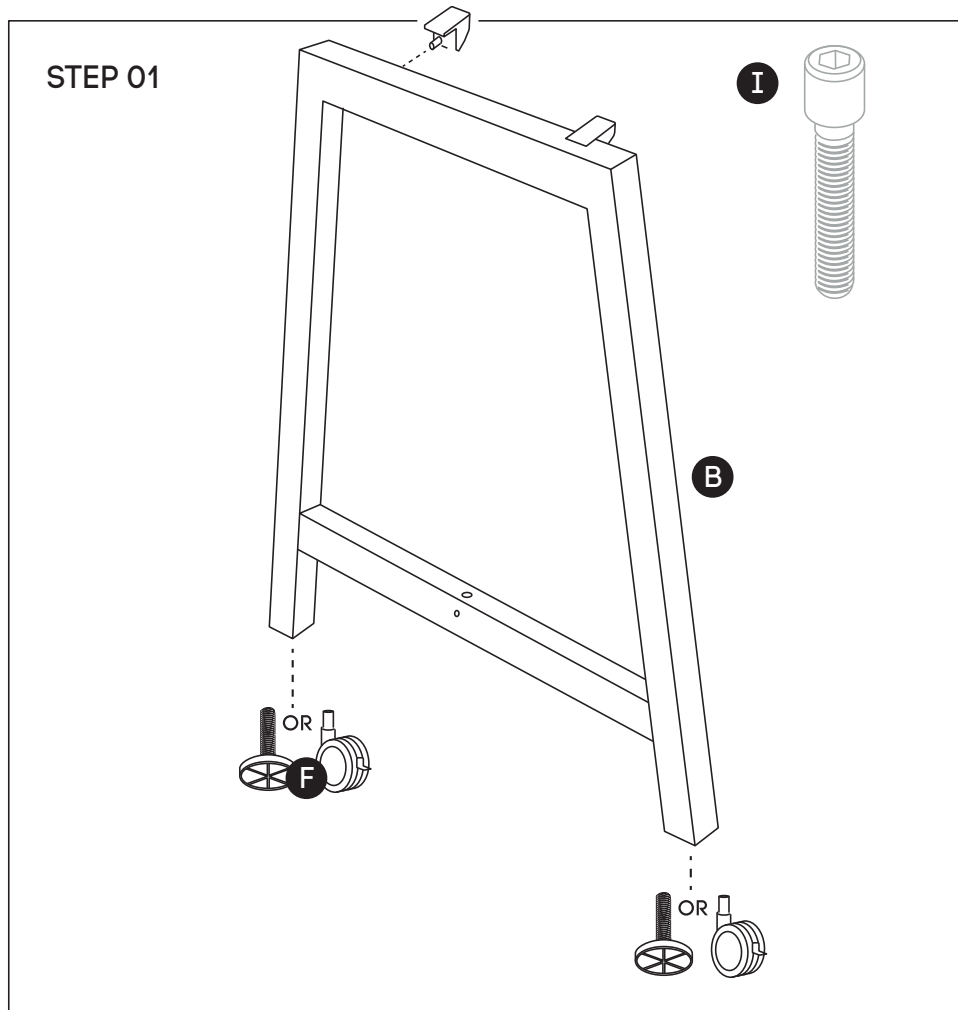
# ASSEMBLY INSTRUCTIONS

## Quadro A Leg Counter Frame

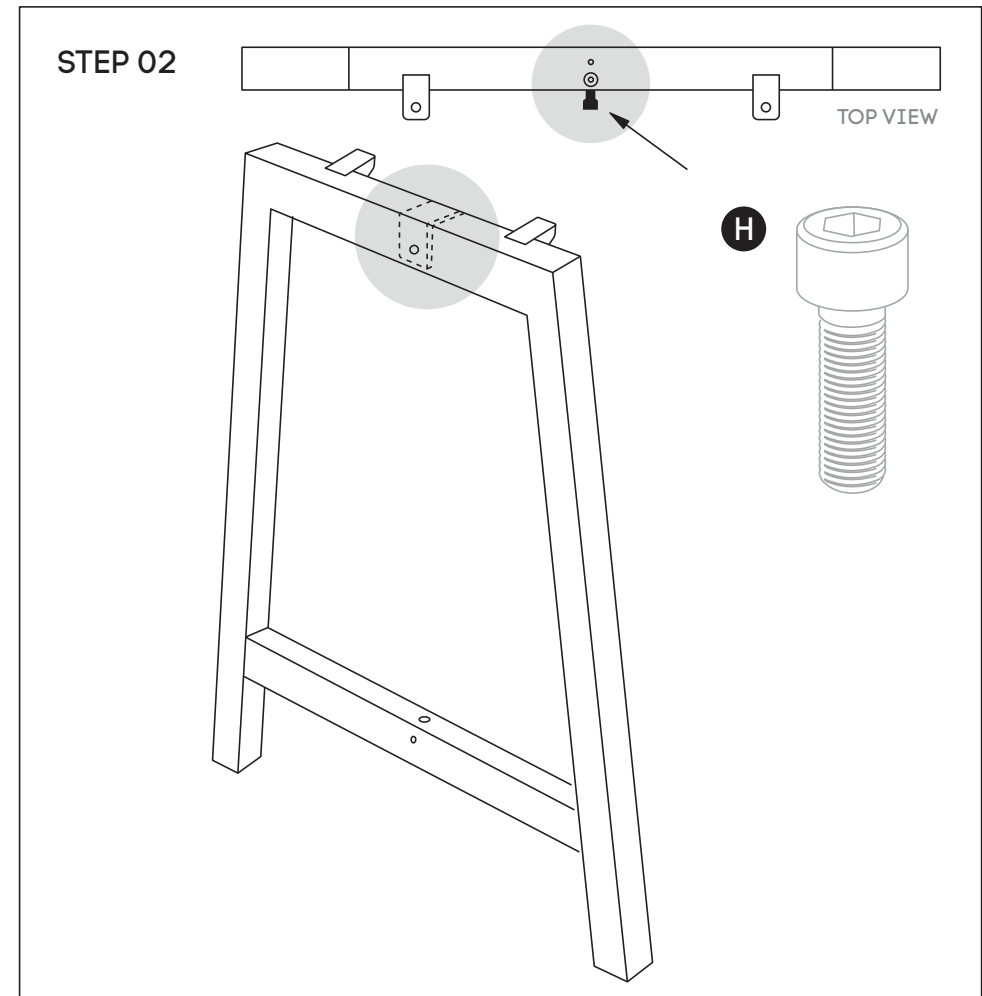
www.jasonl.com.au

Need help!  
Call us on  
1300 527 665

jason.l  
your office furniture mate



Using Allen Key provided, attach 2 plastic brackets per leg (D) (as per picture above) using M6x20MM (I) Socket head screw. Screw the feet or wheels (if you purchase with wheels option) (F) to the bottom of each leg (B).



Using Allen Key provided, attach M8x20MM Socket head (H)-screw socket half way into leg for both legs (B)

# ASSEMBLY INSTRUCTIONS

## Quadro A Leg Counter Frame

[www.jasonl.com.au](http://www.jasonl.com.au)

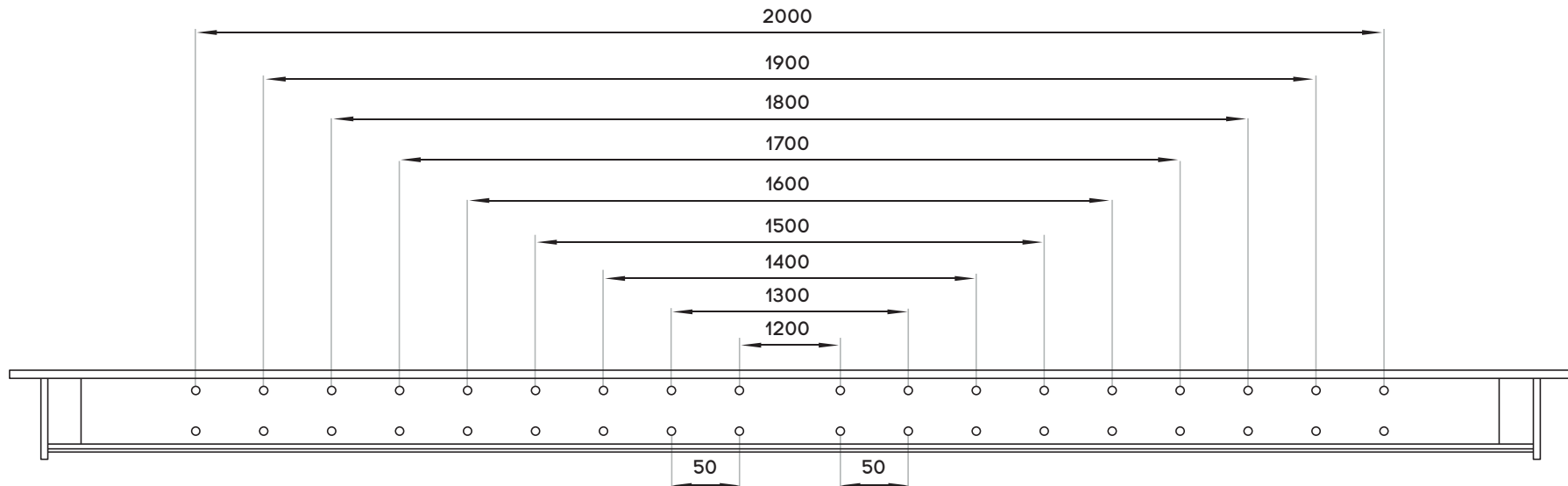
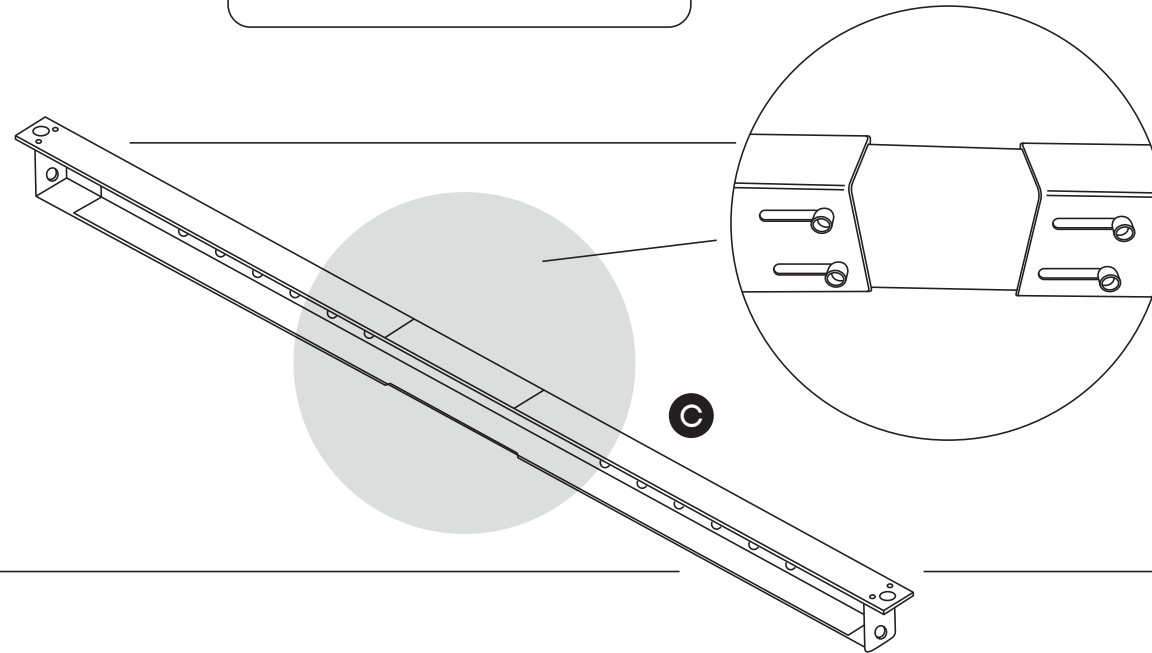
**Need help!**  
Call us on  
**1300 527 665**

**jason.l**  
your office furniture mate



### STEP 03

Adjust extendable beam **(C)** to desired length using markers and secure beam at that length using screws provided



# ASSEMBLY INSTRUCTIONS

## Quadro A Leg Counter Frame

[www.jasonl.com.au](http://www.jasonl.com.au)

**Need help!**

Call us on  
**1300 527 665**

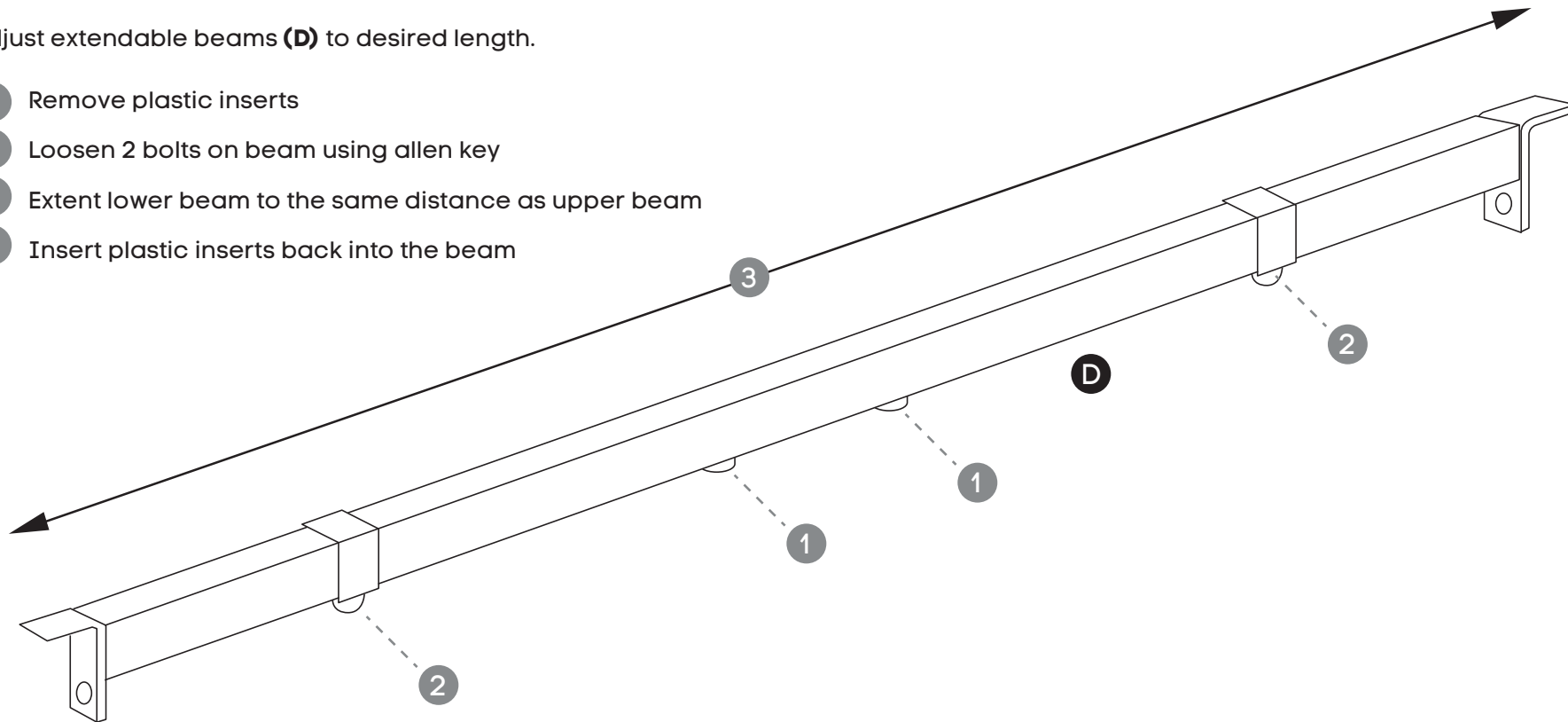
**jason.l**  
your office furniture mate



### STEP 04

Adjust extendable beams **(D)** to desired length.

- 1 Remove plastic inserts
- 2 Loosen 2 bolts on beam using allen key
- 3 Extent lower beam to the same distance as upper beam
- 4 Insert plastic inserts back into the beam



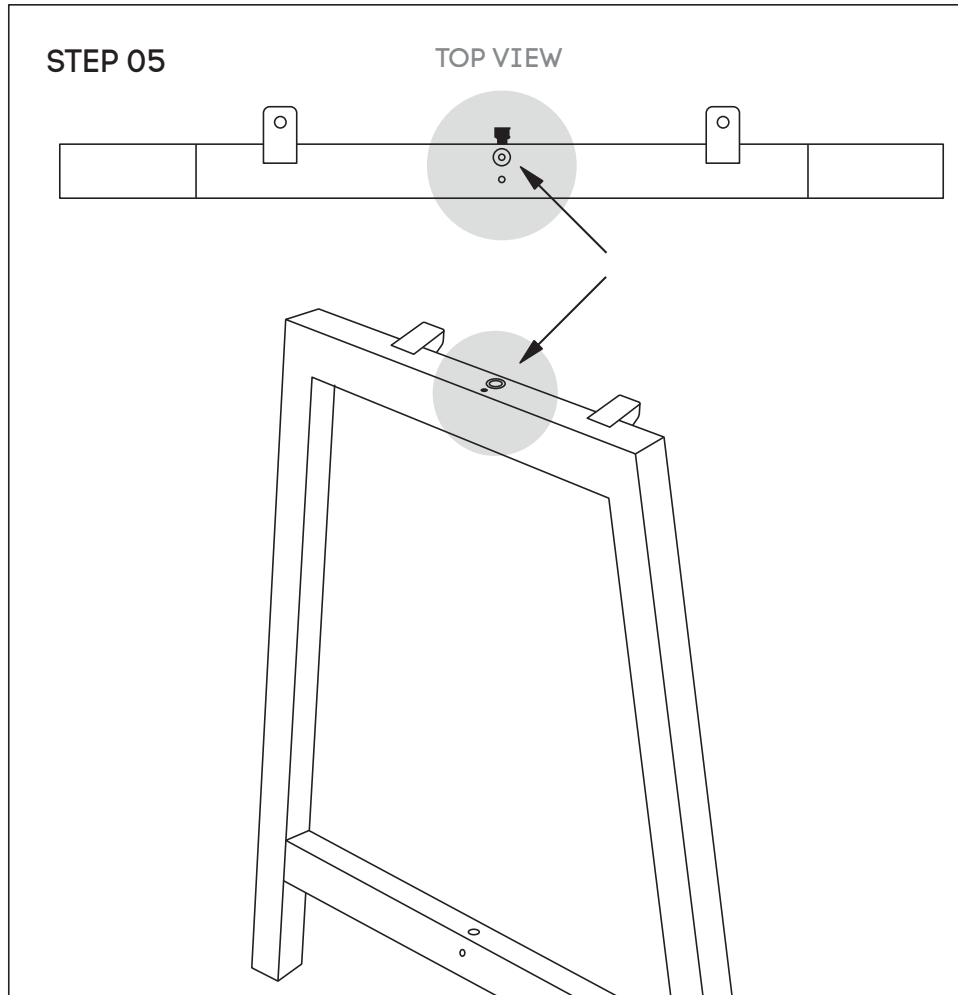
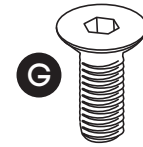
# ASSEMBLY INSTRUCTIONS

## Quadro A Leg Counter Frame

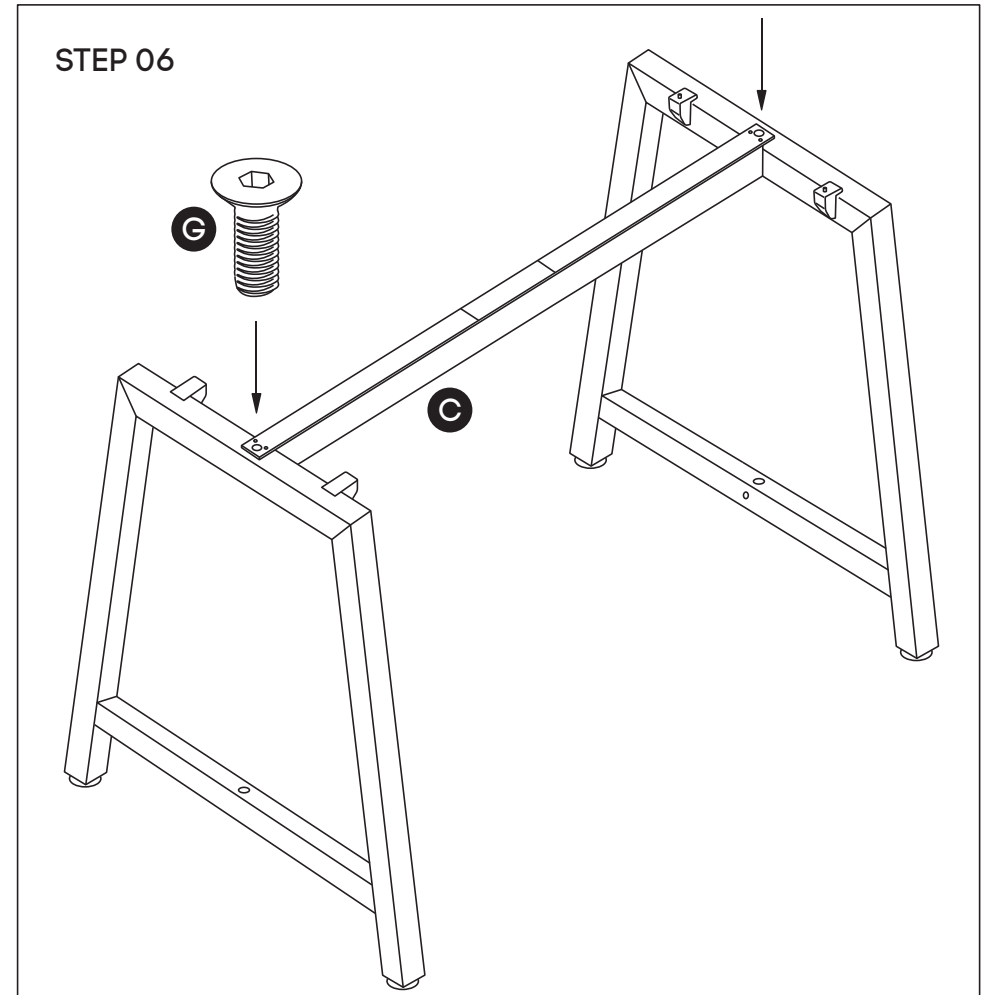
[www.jasonl.com.au](http://www.jasonl.com.au)

**Need help!**  
Call us on  
**1300 527 665**

**jason.l**  
your office furniture mate



Attach Upper Beam (C) to legs (B) using nut insert in legs.  
See point attached



Frame looks like this. Using Allen Key, attach Upper Beam (C) with Sockets (G).

# ASSEMBLY INSTRUCTIONS

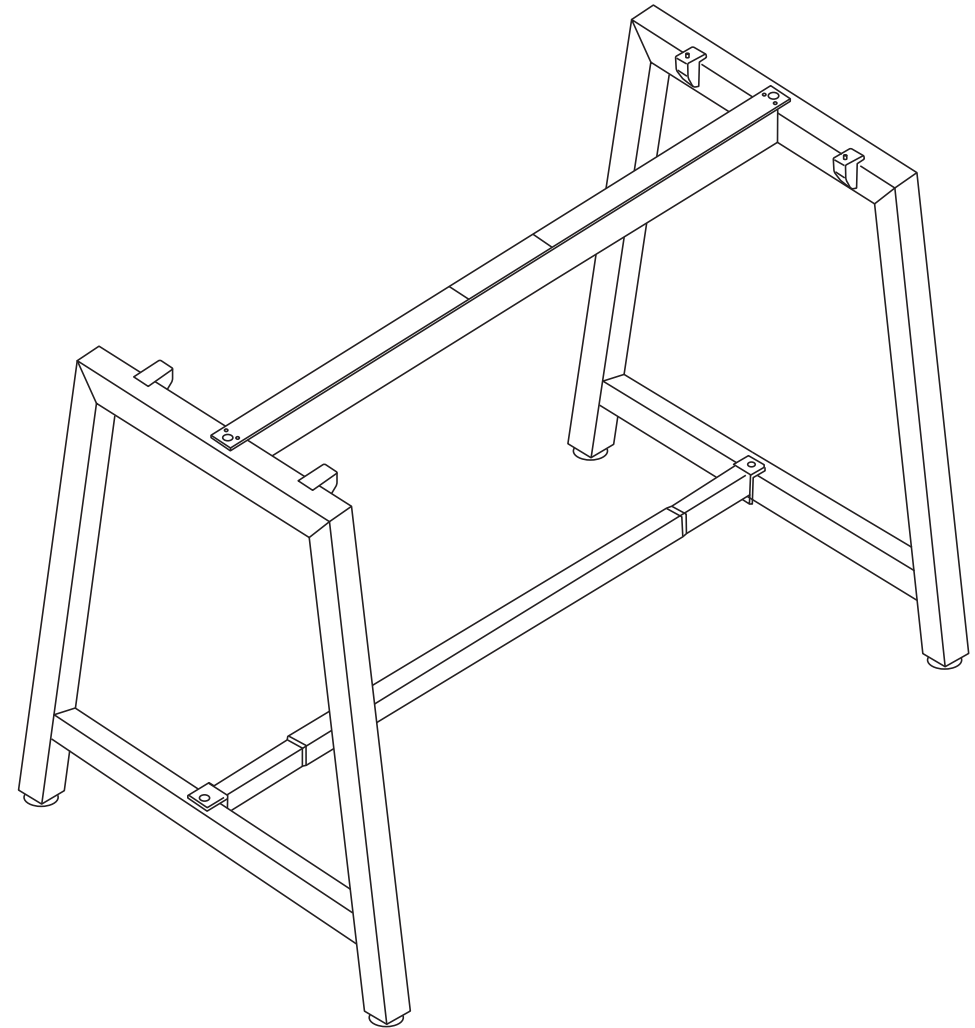
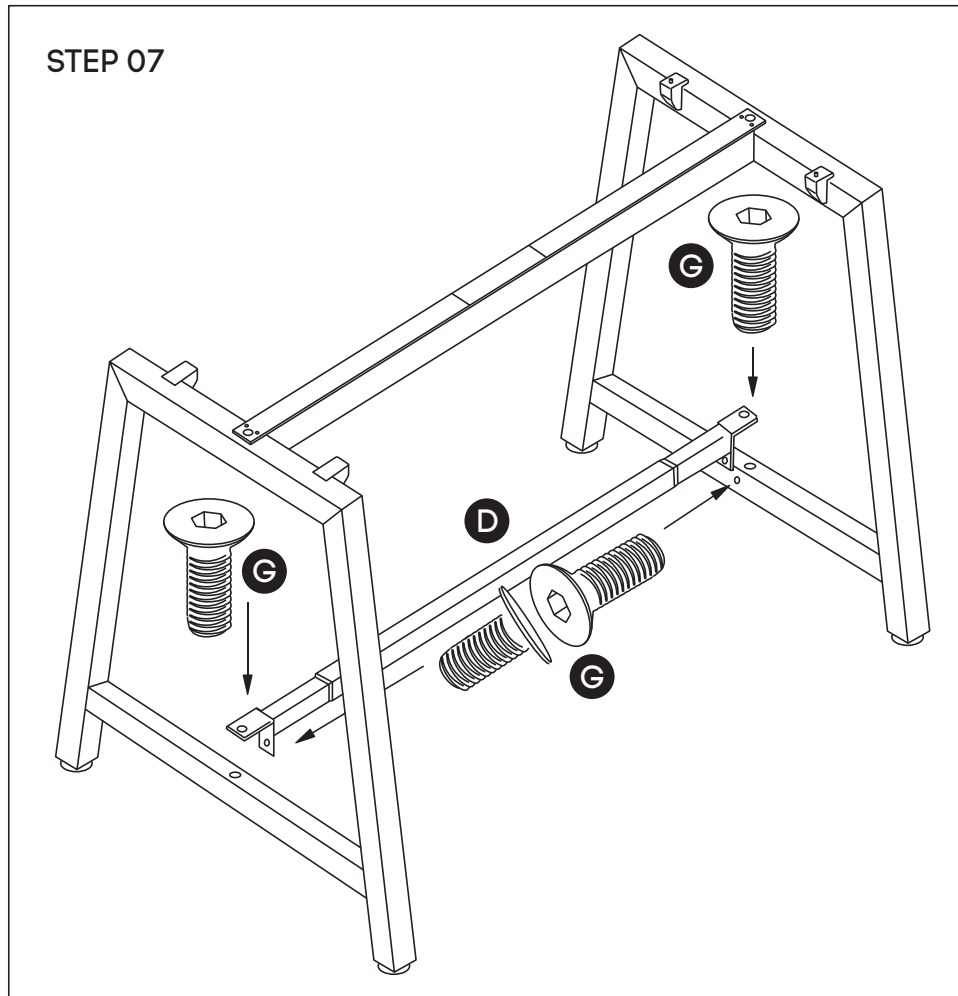
## Quadro A Leg Counter Frame

[www.jasonl.com.au](http://www.jasonl.com.au)

**Need help!**

Call us on  
**1300 527 665**

**jason.l**  
your office furniture mate



Frame looks like this. Using Allen Key. Tighten Sockets **(G)** on the Lower Beam **(D)** using Allen Key **(J)**. Insert plastic spacers to improve rigidity. Attach two Sockets **(G)** to the side of the lower side beams (as shown in the picture).

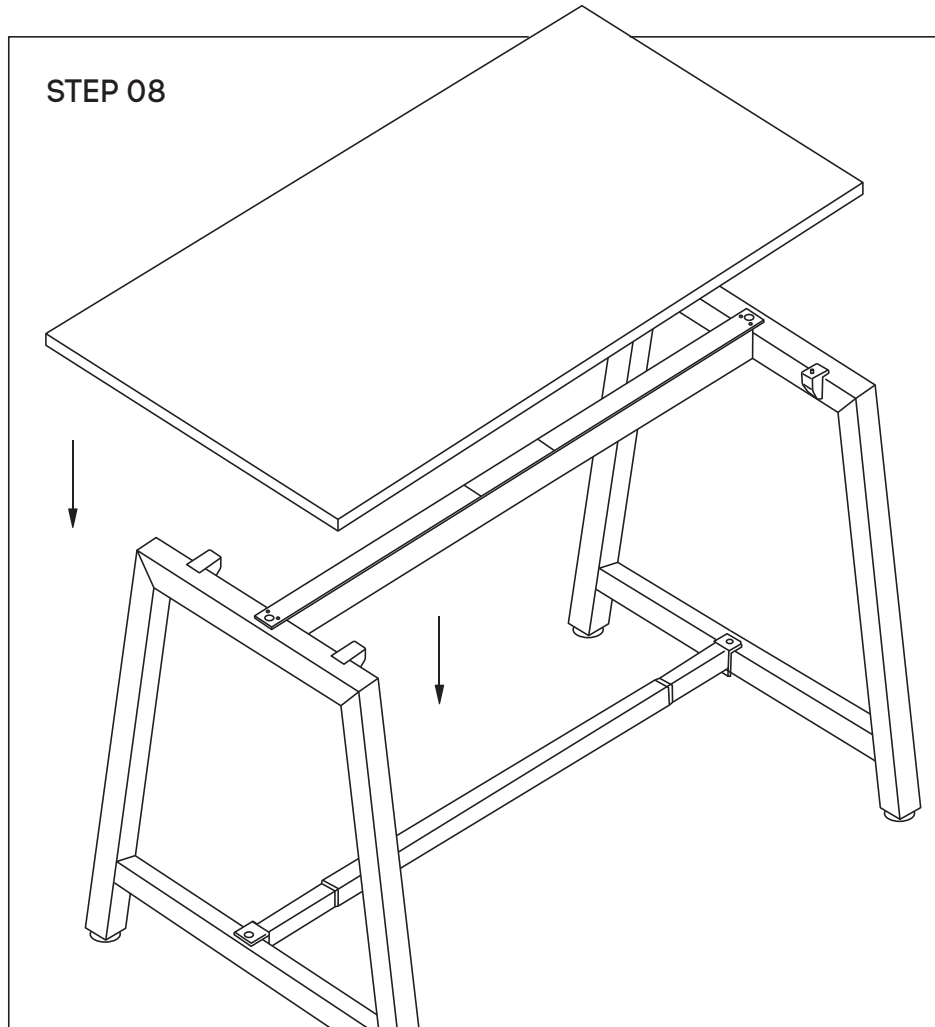
# ASSEMBLY INSTRUCTIONS

## Quadro A Leg Counter Frame

[www.jasonl.com.au](http://www.jasonl.com.au)

**Need help!**  
Call us on  
**1300 527 665**

**jason.l**  
your office furniture mate



Place desktop on top of frame. Wood Screws to be drilled into the underneath Top.