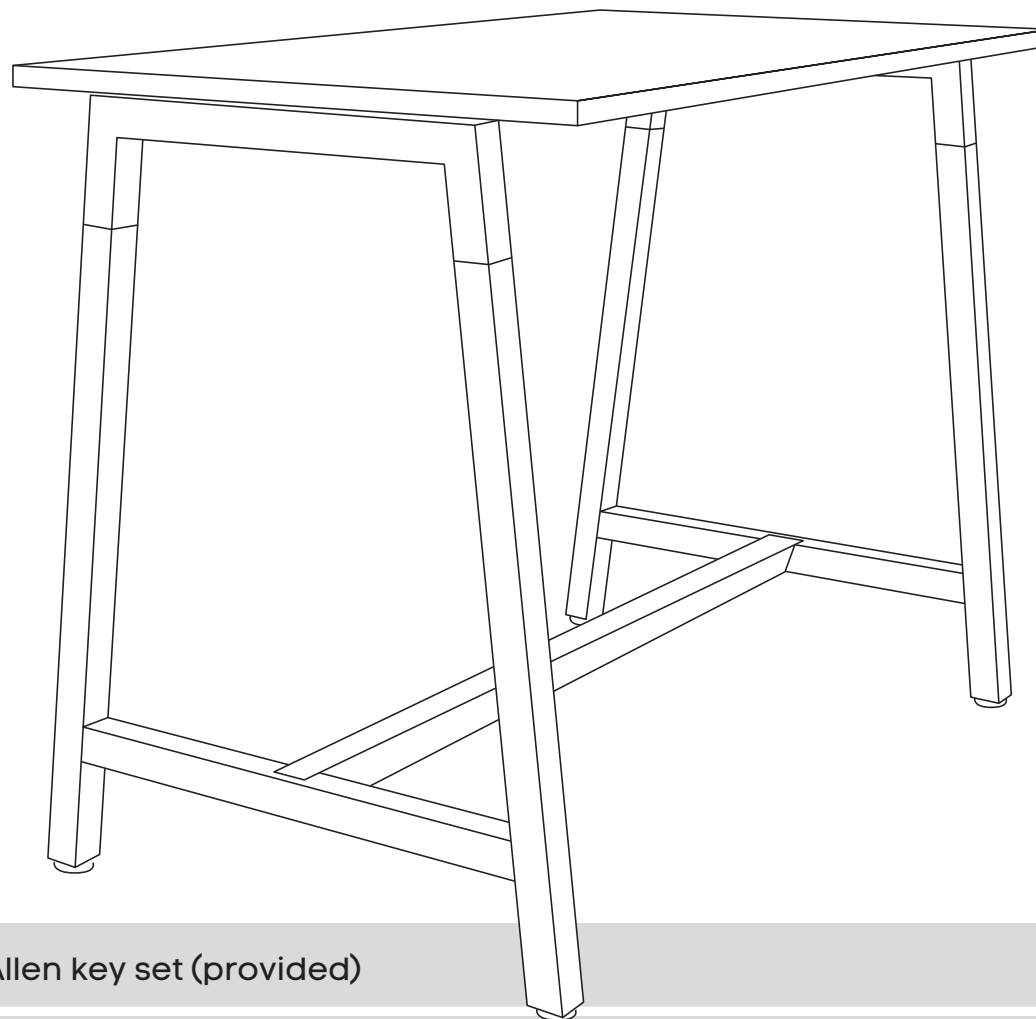


# Quadro A WoodLeg Counter Table


**Sizes:**

1400x700

1600x700



**Tools Required:** Power screwdriver; Allen key set (provided)

 2 persons required for installation

**Need help!**

Call us on **1300 527 665**

# Quadro A Wood Leg Counter Table

## COMPONENTS

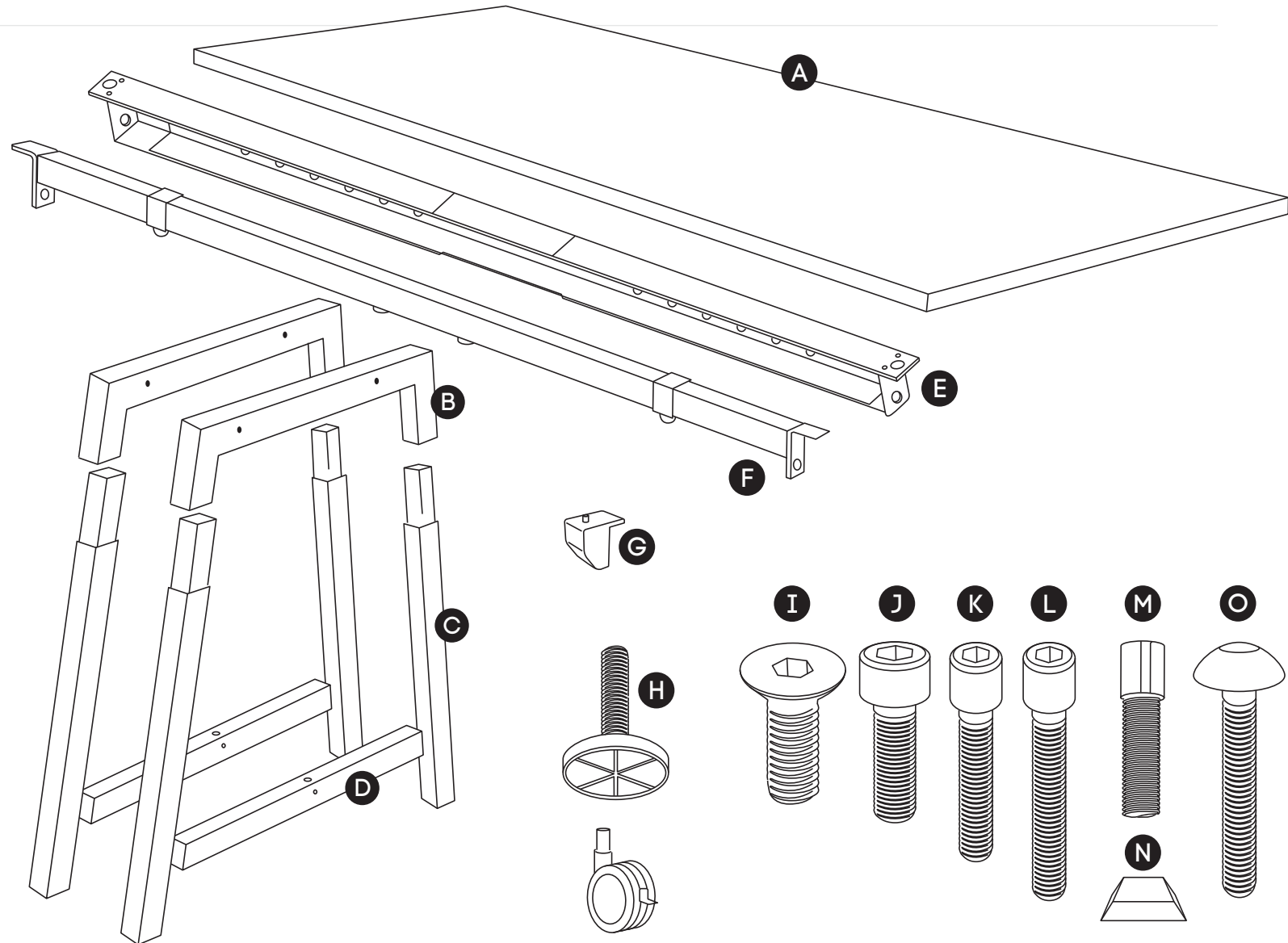
- A Table top x1
- B Leg Quadro A (Half leg) x2
- C Leg wood add on x4
- D Leg bottom beam
- E Upper beam x1 \*
- F Lower beam x1
- G Plastic bracket x4
- H Feet x4

## SCREWS

- I M8x20MM CSK x8
- J M8x20MM socket head x2
- K M6x20MM socket head x4
- L M6x30MM socket head x4
- M Pins x4
- N Corner pads x4
- O Mushroom head M6x30 x4

P Allen key x2

\* Colour of the beam is always black, regardless desk frame colour.

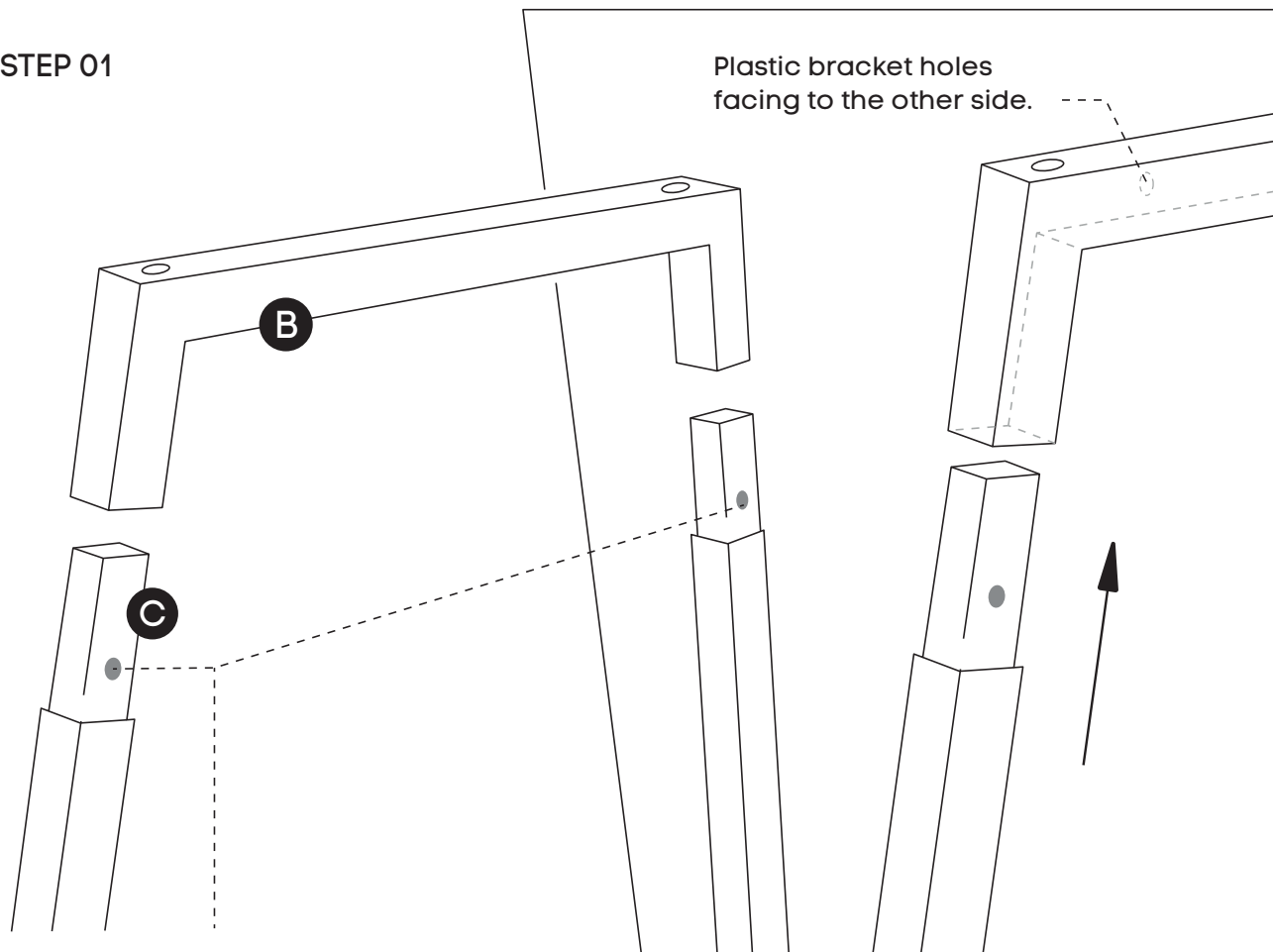


**Need help!**

Call us on **1300 527 665**

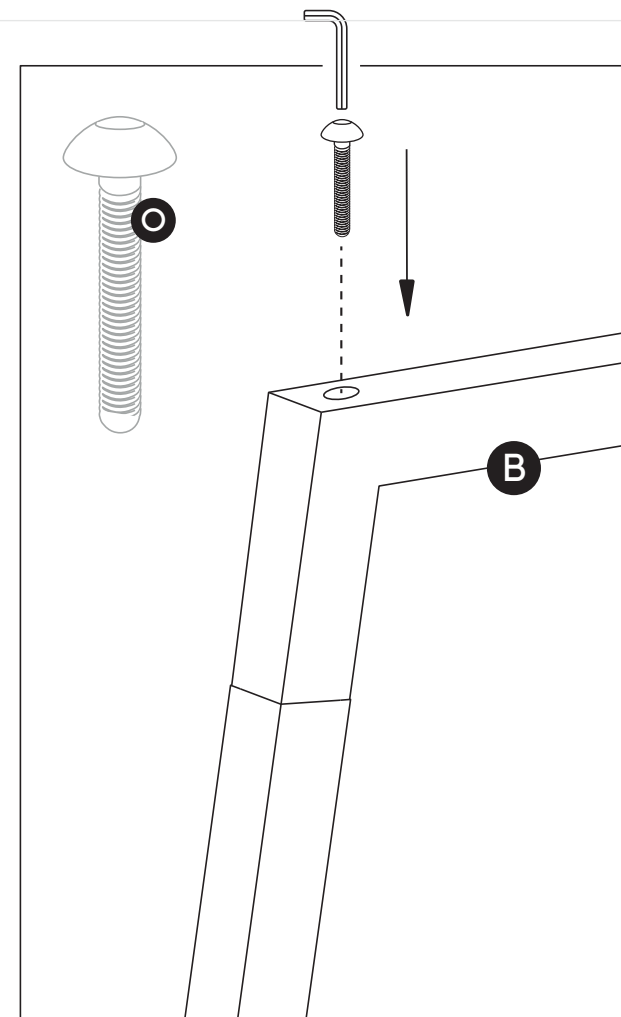
# Quadro A Wood Leg Counter Table

## STEP 01



You will notice two colored stickers located on each leg.

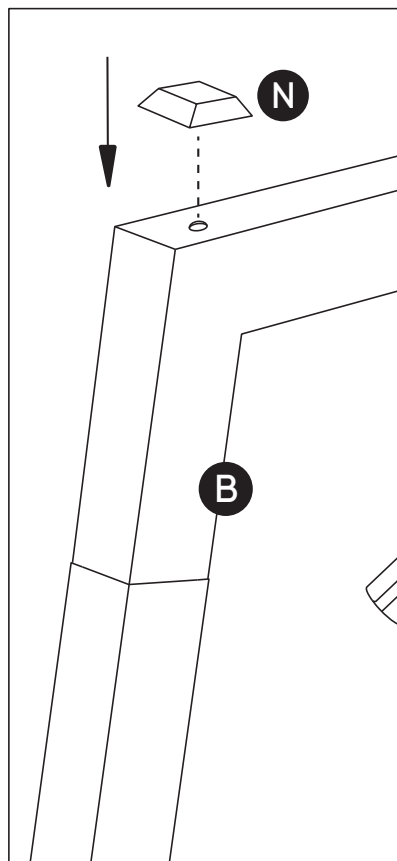
Both legs must have the colour sticker facing away from where the plastic brackets are inserted.



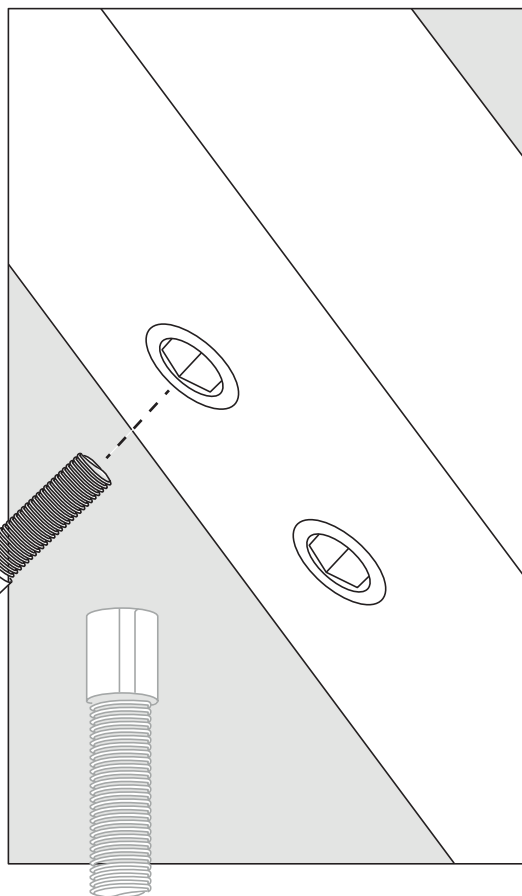
Insert the Leg wood add on (**C**) into the Leg Quadro A (Half leg) (**B**). Using Allen Key provided, attach mushroom head screw (**O**) for all legs.

# Quadro A Wood Leg Counter Table

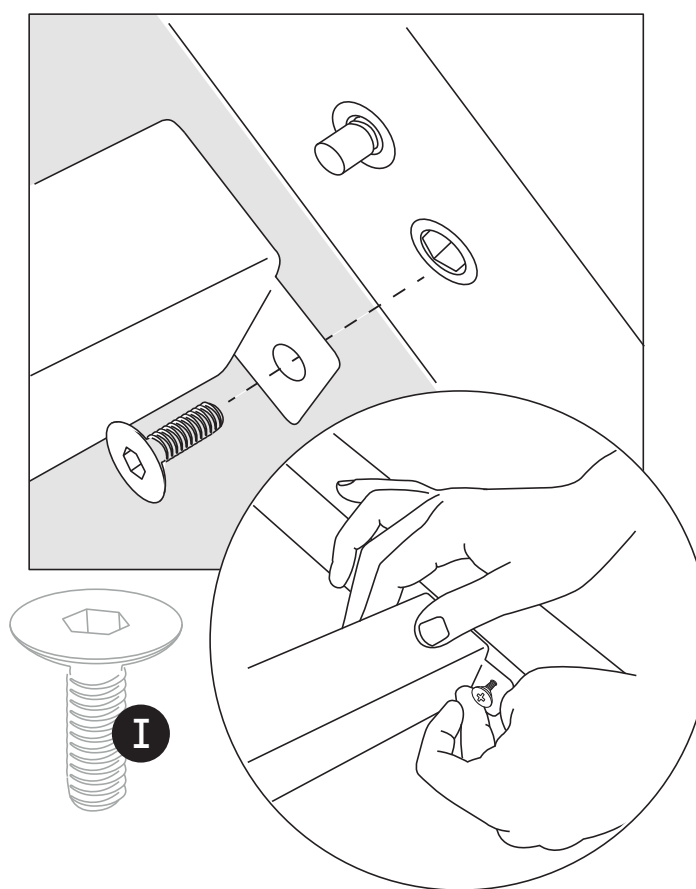
## STEP 02



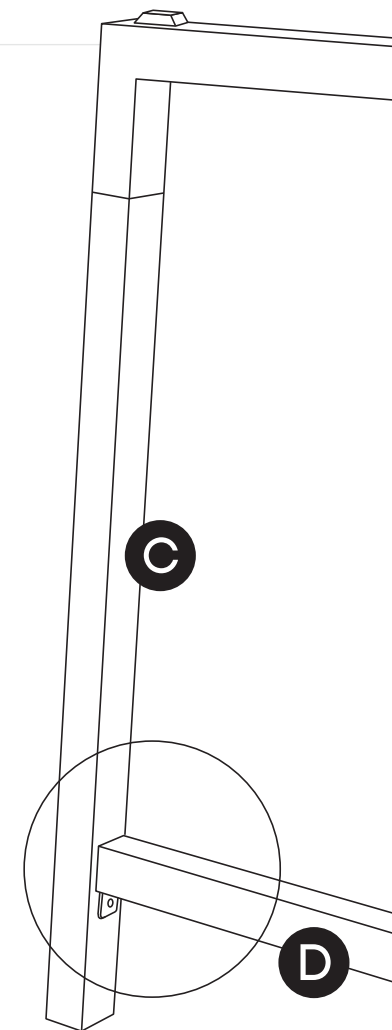
Now use corner pads **(N)** to cover the holes where just inserted the head screw sockets.



You will notice two holes in each Leg wood add on **(C)**. Insert a Pin into the top hole of each leg, as shown in the illustration.



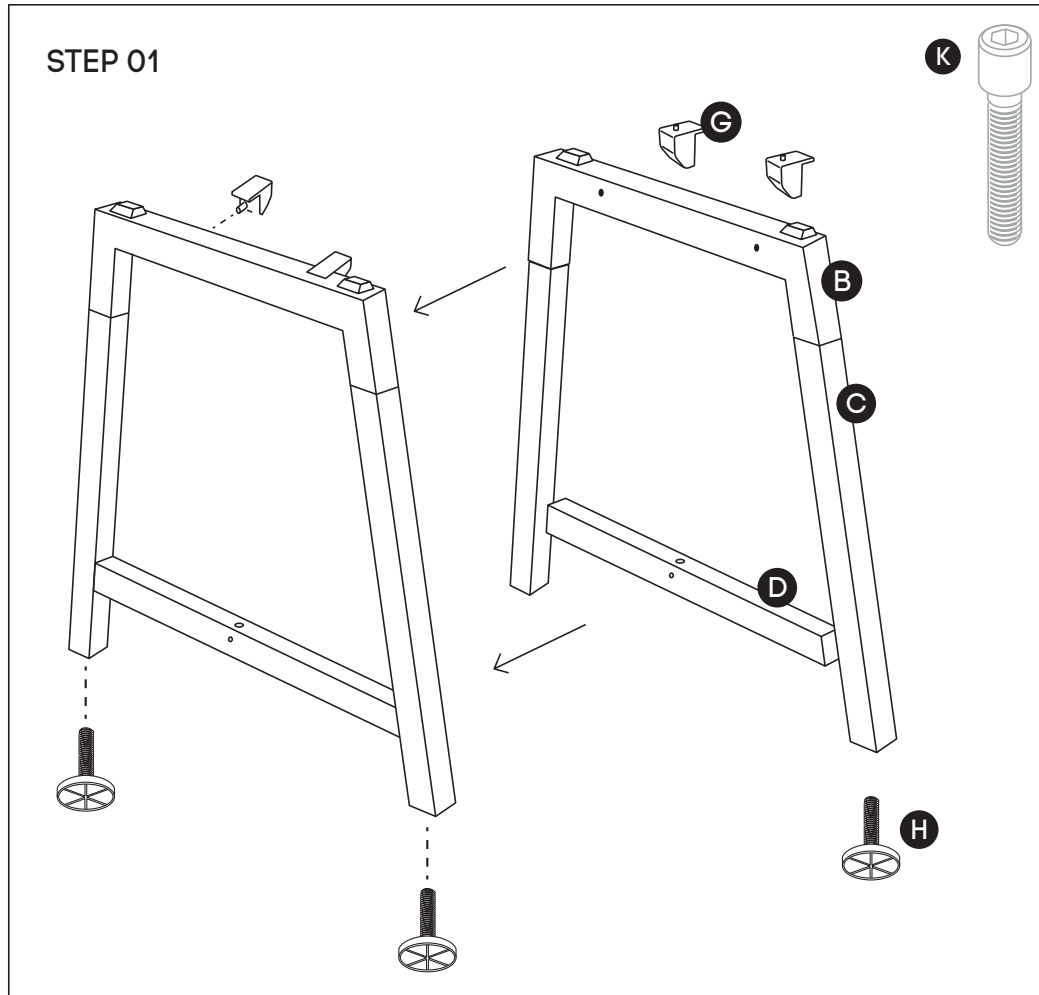
Now insert the Leg bottom beam **(D)** into the Leg wood add on **(C)**, using Pins **(I)** provided. Attach on each leg.



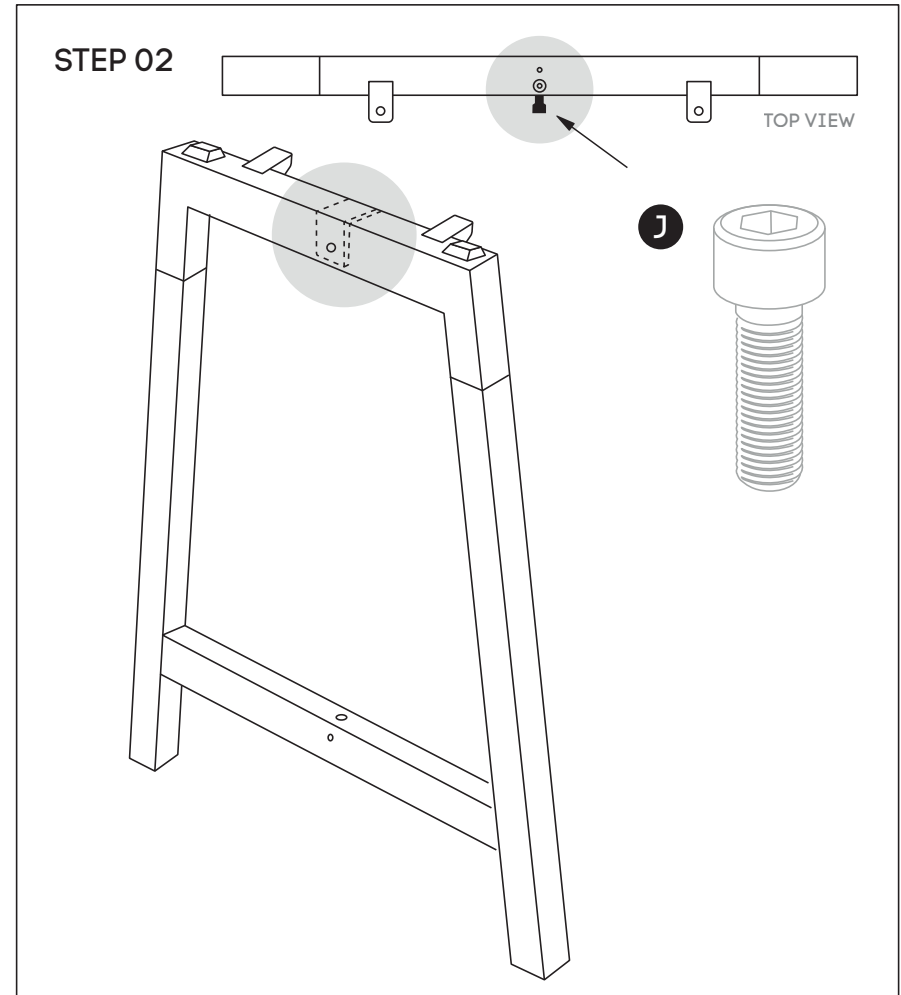
**Need help!**

Call us on **1300 527 665**

# Quadro A Wood Leg Counter Table



Using Allen Key provided, attach 2 plastic brackets per leg (G) (as per picture above) using M6x20MM (K) Socket head screw. Screw the feet (H) to the bottom of each Leg wood add on (C).



Using Allen Key provided, attach M8x20MM Socket head (J)-screw socket half way into leg for both legs

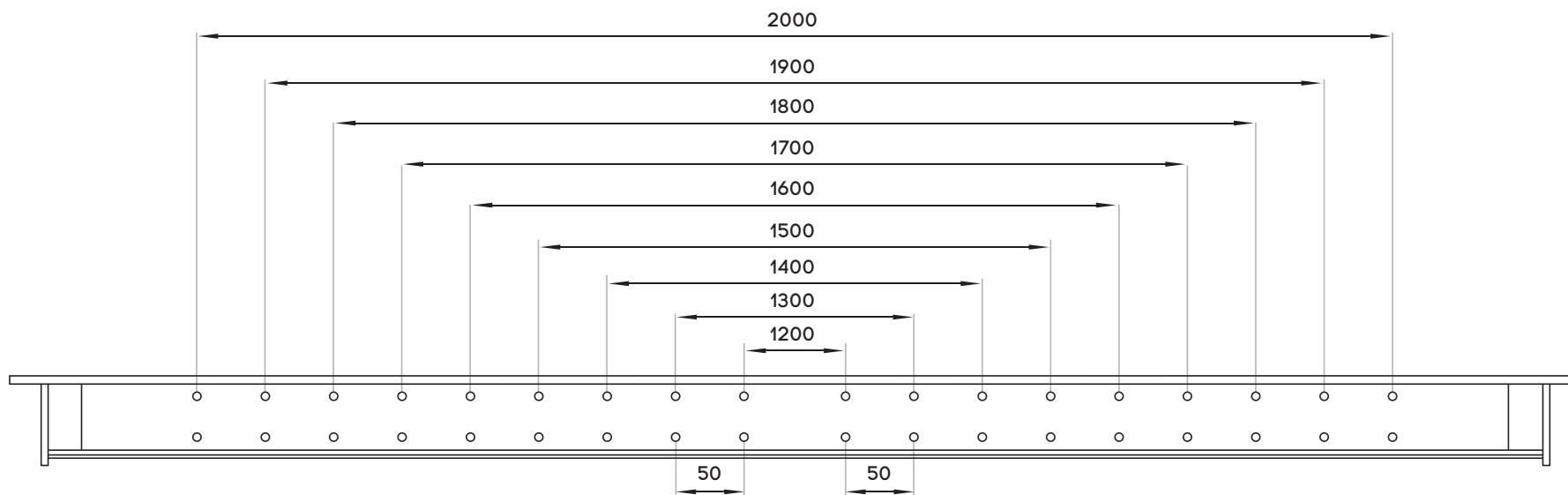
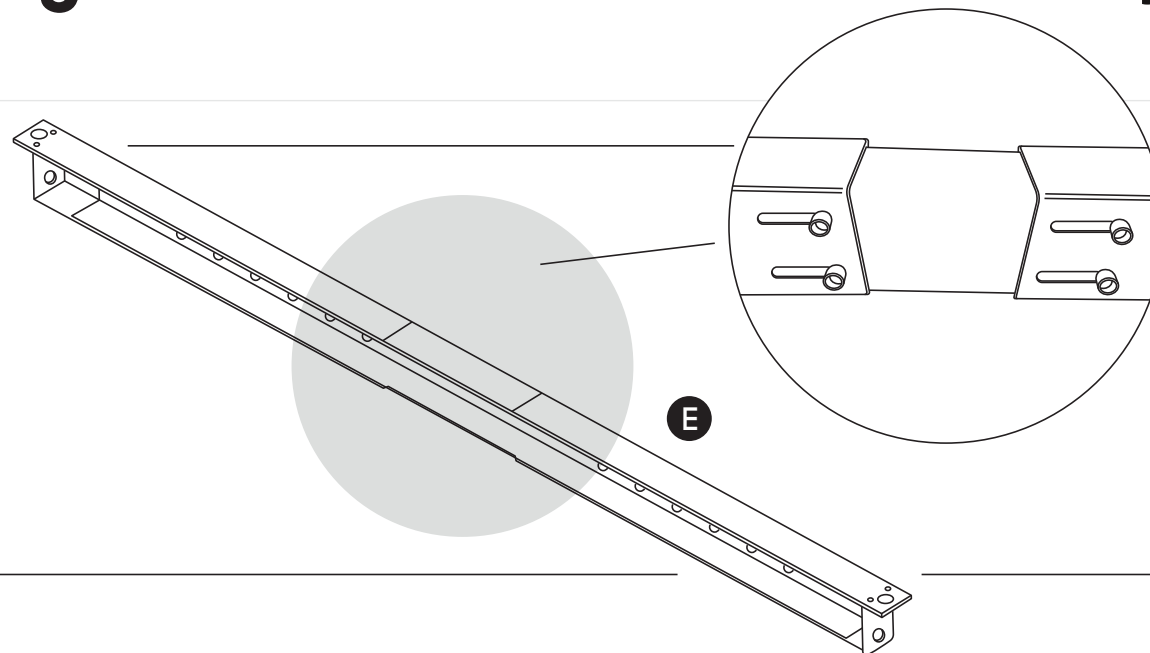
**Need help!**

Call us on **1300 527 665**

# Quadro A Wood Leg Counter Table

## STEP 03

Adjust extendable beam **(E)** to desired length using markers and secure beam at that length using screws provided

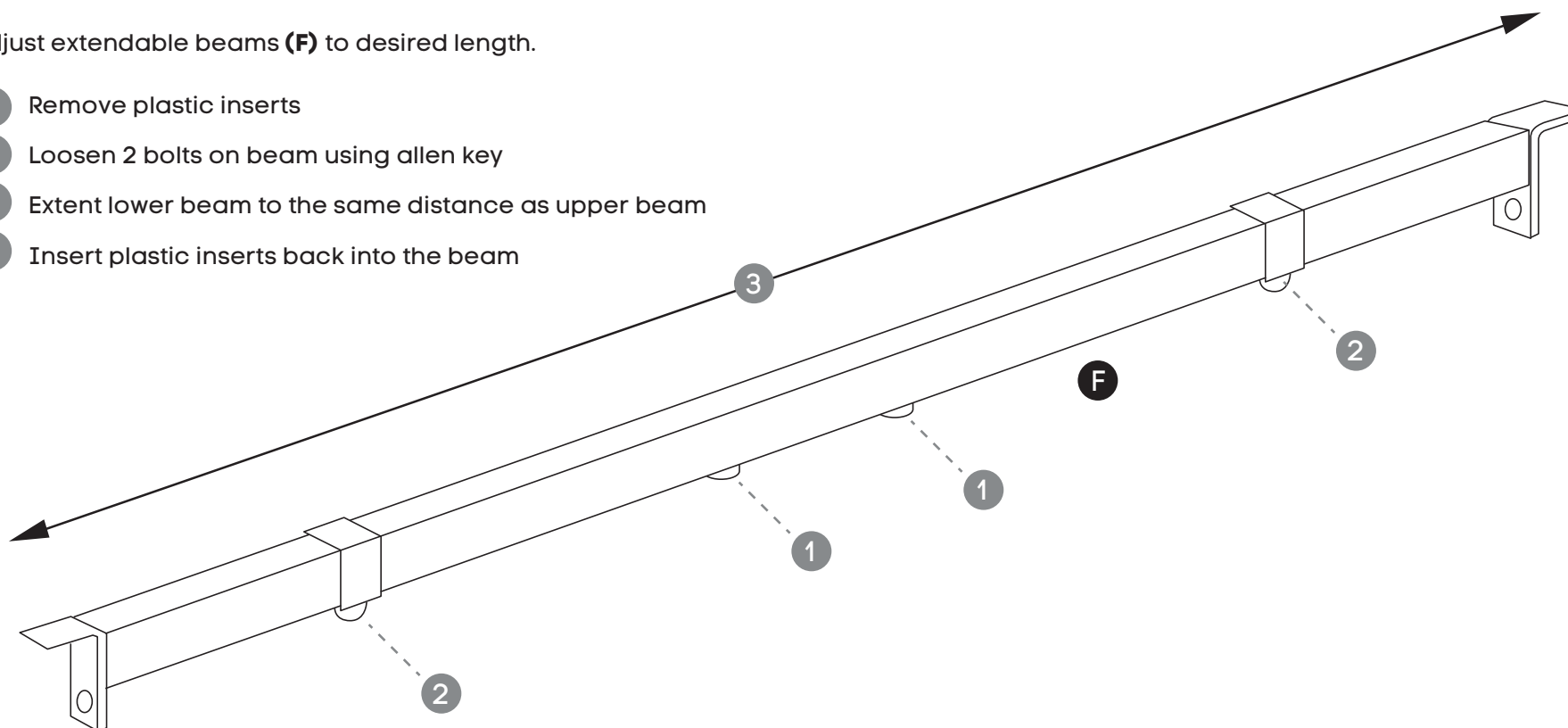


# Quadro A Wood Leg Counter Table

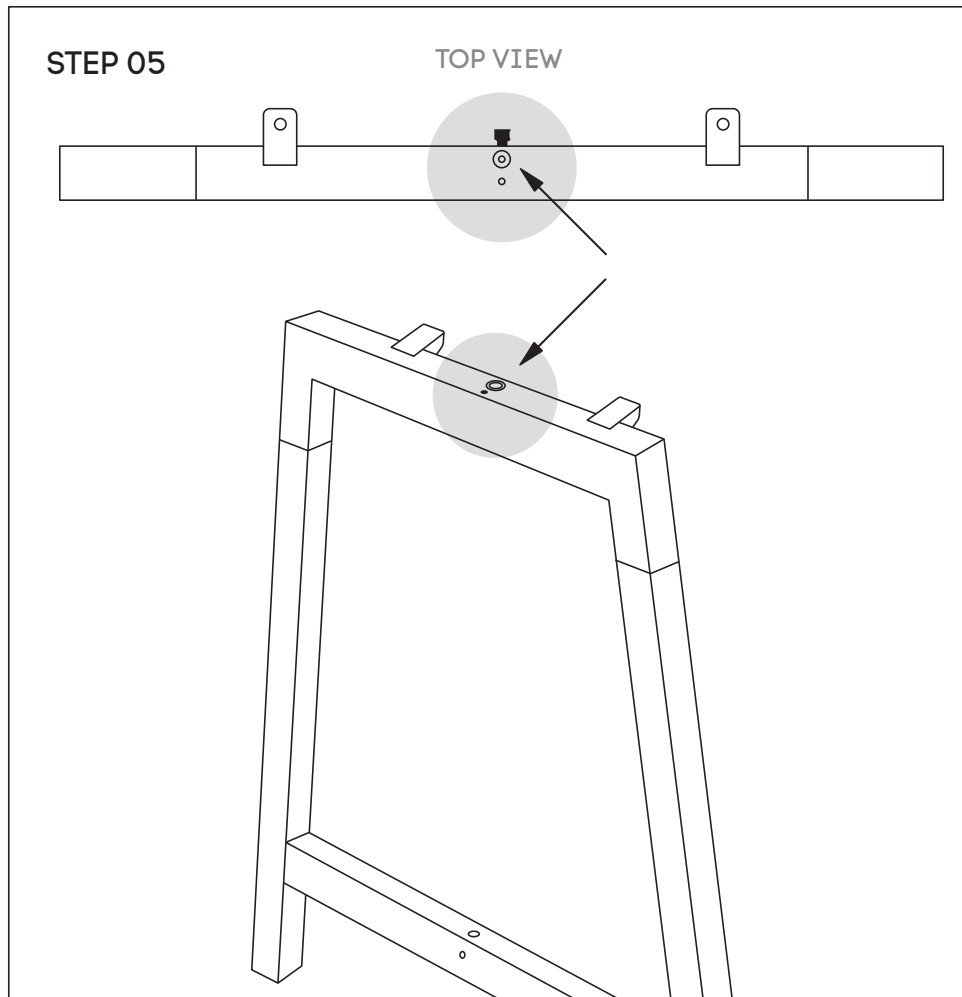
## STEP 04

Adjust extendable beams (**F**) to desired length.

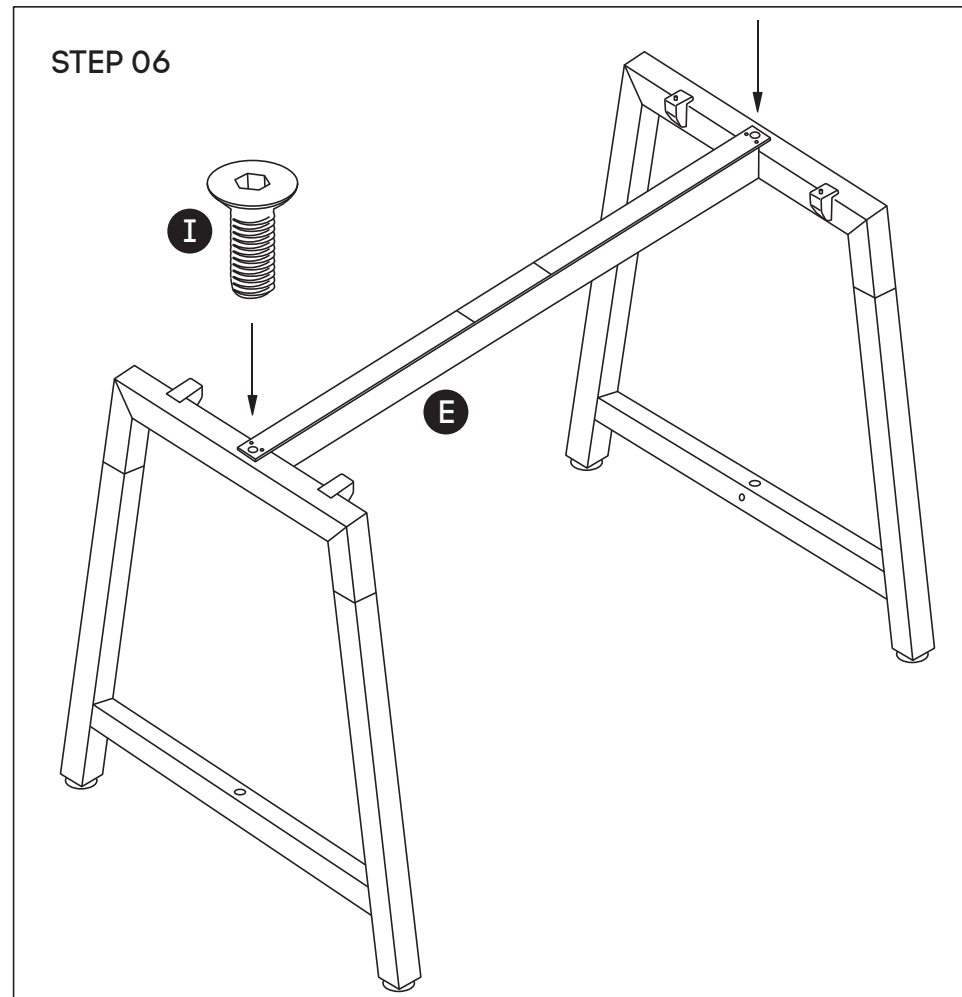
- 1 Remove plastic inserts
- 2 Loosen 2 bolts on beam using allen key
- 3 Extent lower beam to the same distance as upper beam
- 4 Insert plastic inserts back into the beam



# Quadro A Wood Leg Counter Table



Attach Upper Beam **(E)** to legs using nut insert.  
See point attached

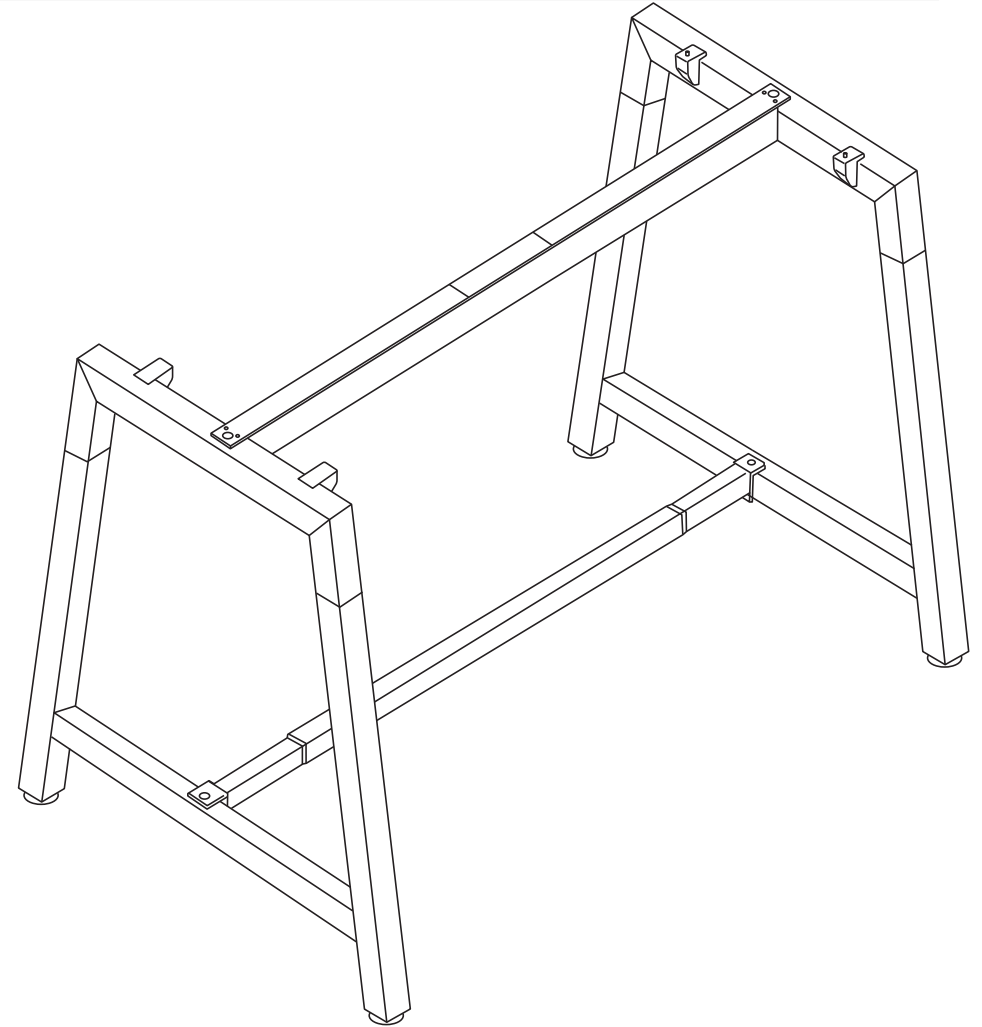
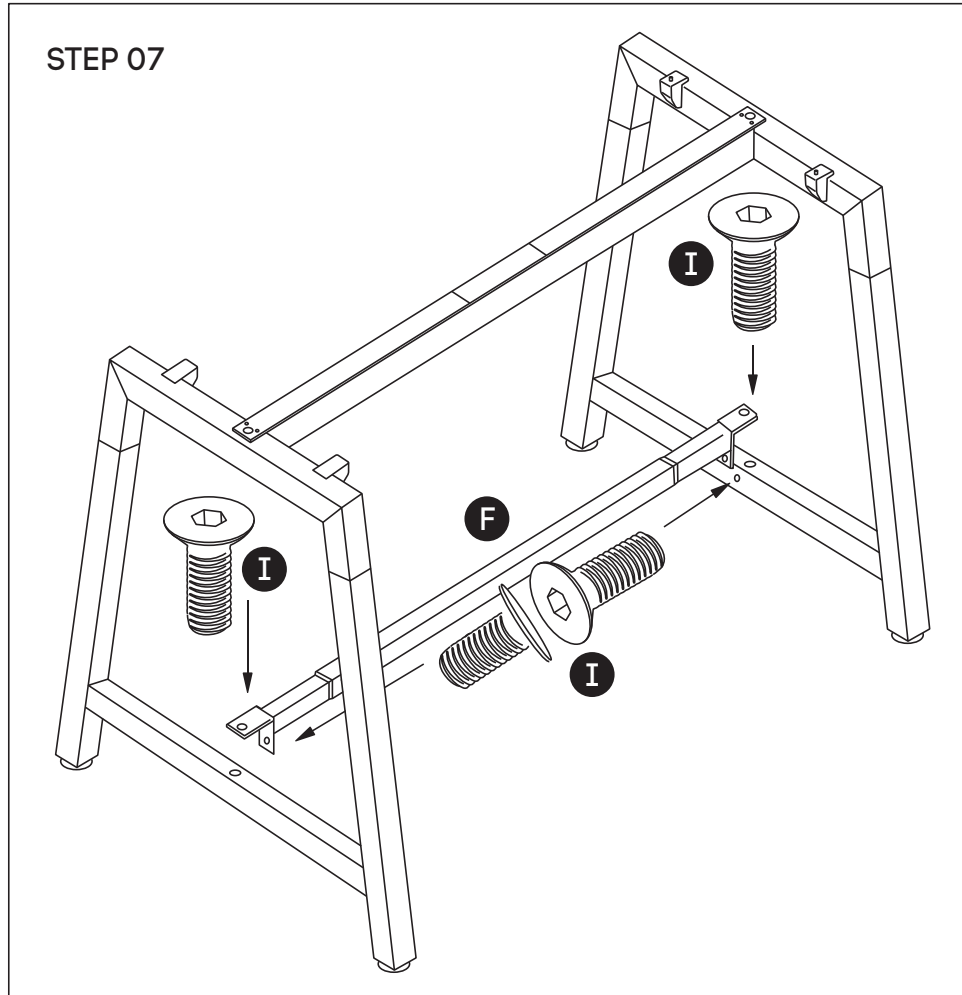


Frame looks like this. Using Allen Key, attach Upper Beam **(E)** with Sockets **(I)**.

**Need help!** Call us on **1300 527 665**



# Quadro A Wood Leg Counter Table

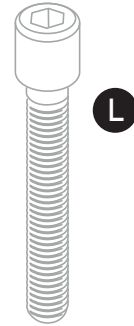
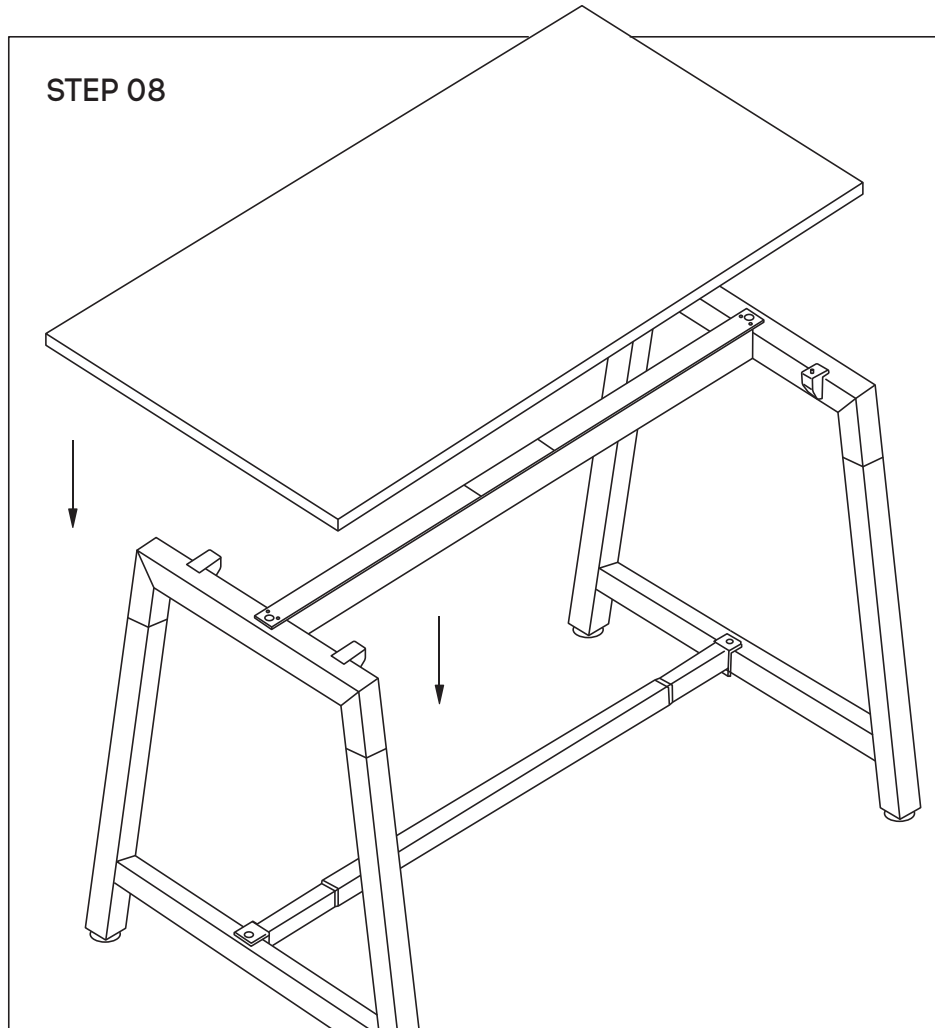


Frame looks like this. Using Allen Key. Tighen Sockets **(I)** on the Lower Beam **(F)** using Allen Key **(O)**. Insert plastic spacers to improve rigidity. Attach two Sockets **(I)** to the side of the lower side beams (as shown in the picture).

**Need help!**

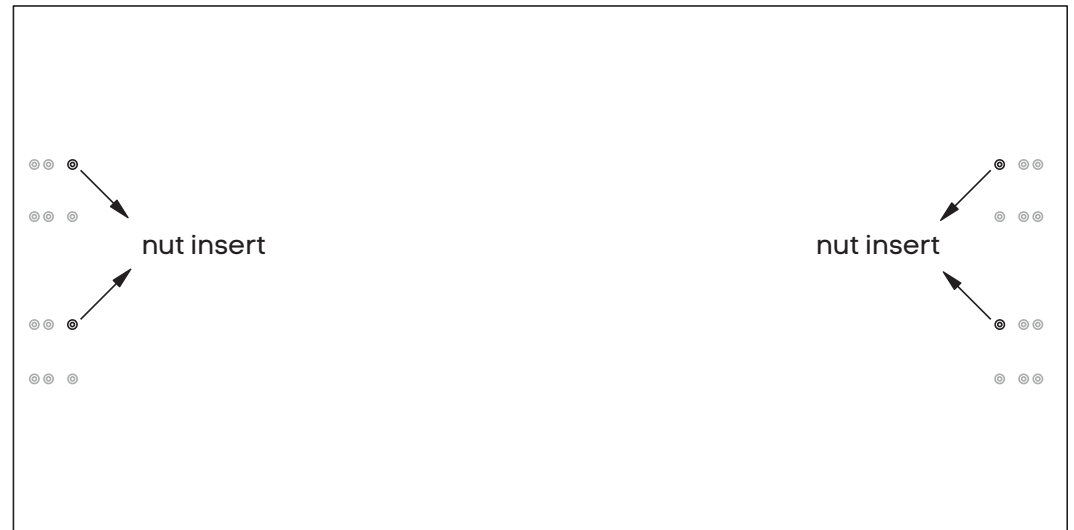
Call us on **1300 527 665**

# Quadro A Wood Leg Counter Table



L

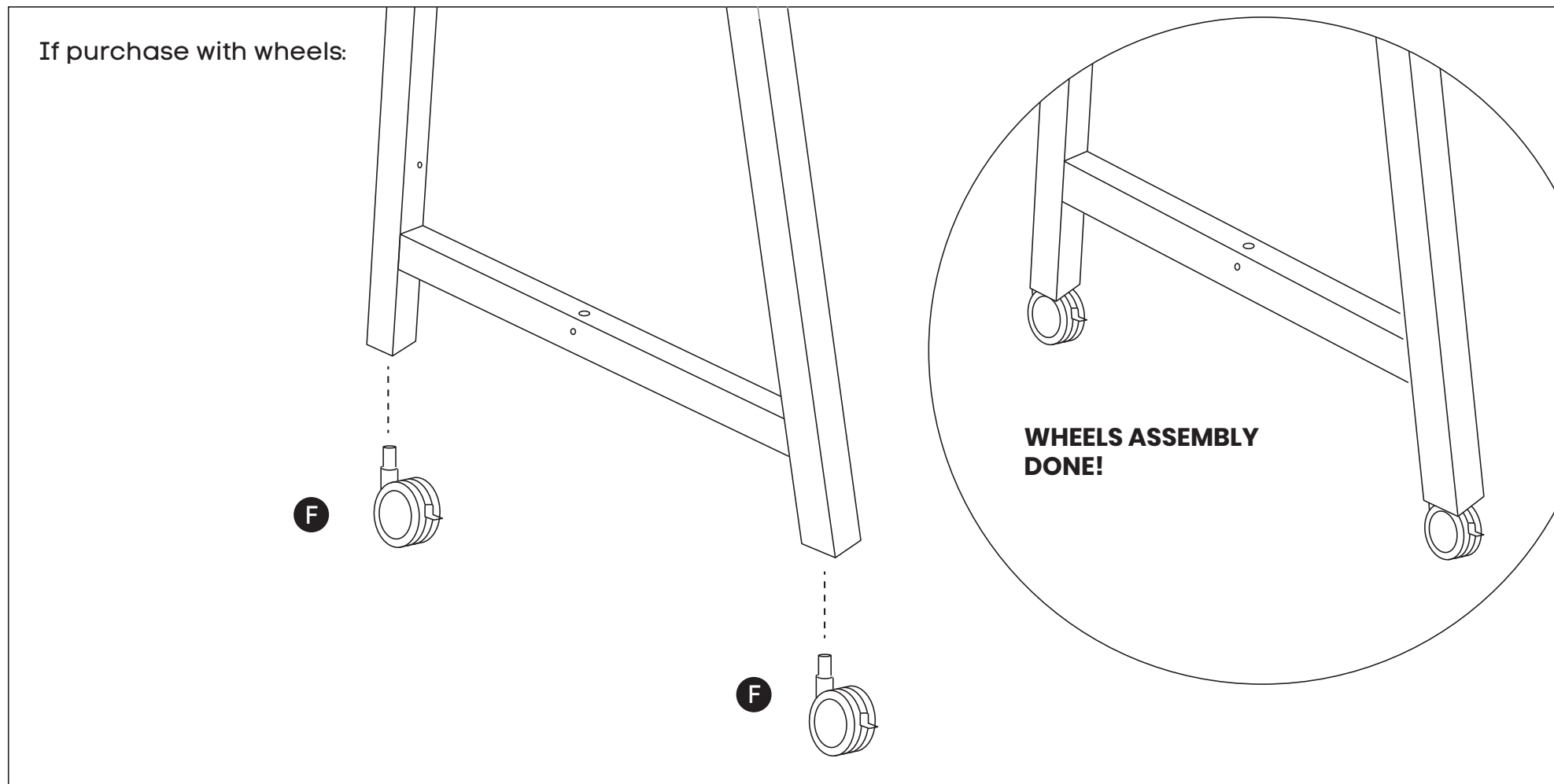
TABLE TOP  
BOTTOM VIEW



Place desktop on top of frame. Nut inserts in top will align with plastic joiner brackets using M6x30MM (L) sockets attached top to frame.

**Need help!** Call us on **1300 527 665**

# Quadro A Leg Counter Table



Replace Feet on the bottom of each leg with wheels **(F)**

**Need help!**

Call us on **1300 527 665**