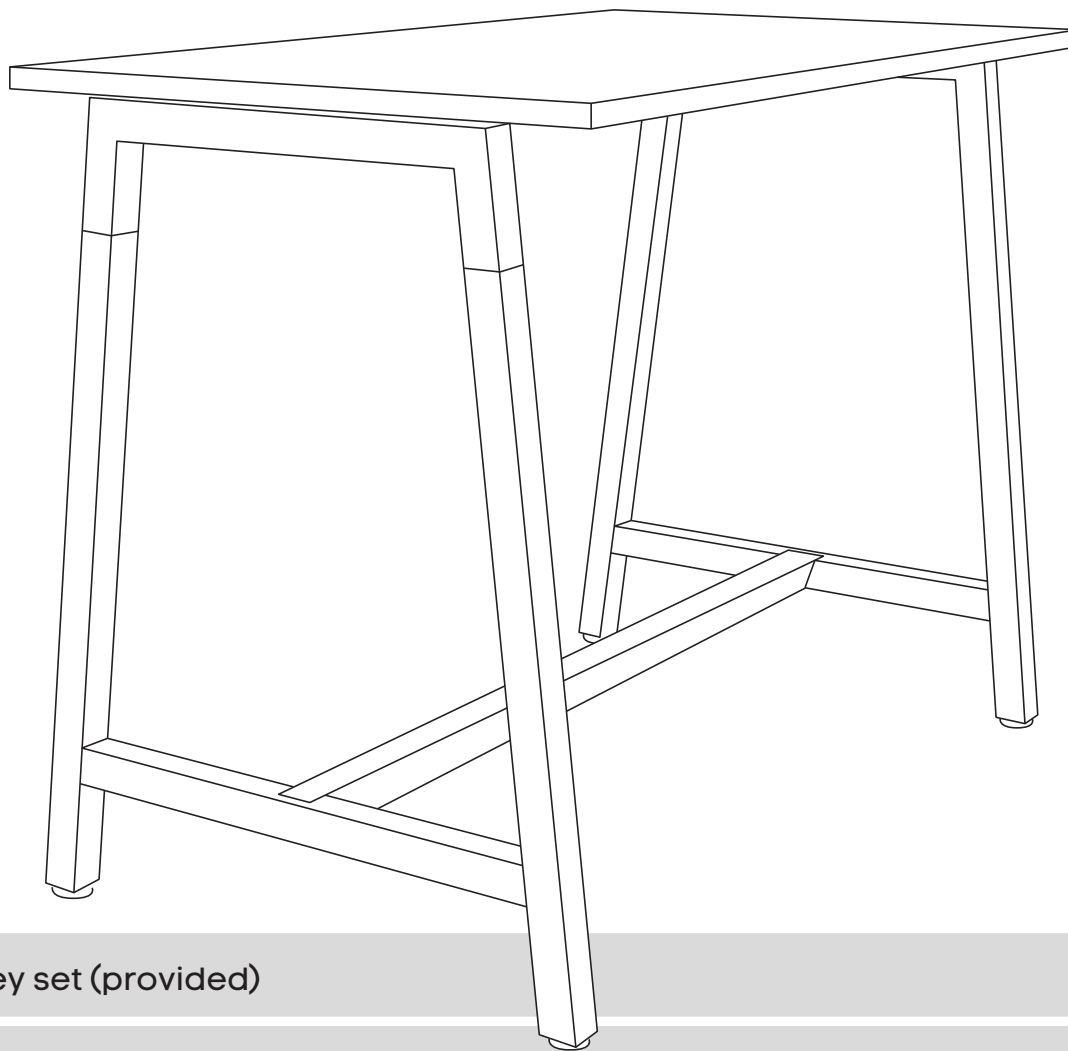


# Quadro A Wood Counter Table Frame


**Sizes:**

1200x700

1800x700



**Tools Required:** Power screwdriver; Allen key set (provided)

 2 persons required for installation

**Need help!**

Call us on **1300 527 665**

# Quadro A Wood Counter Table Frame

## COMPONENTS

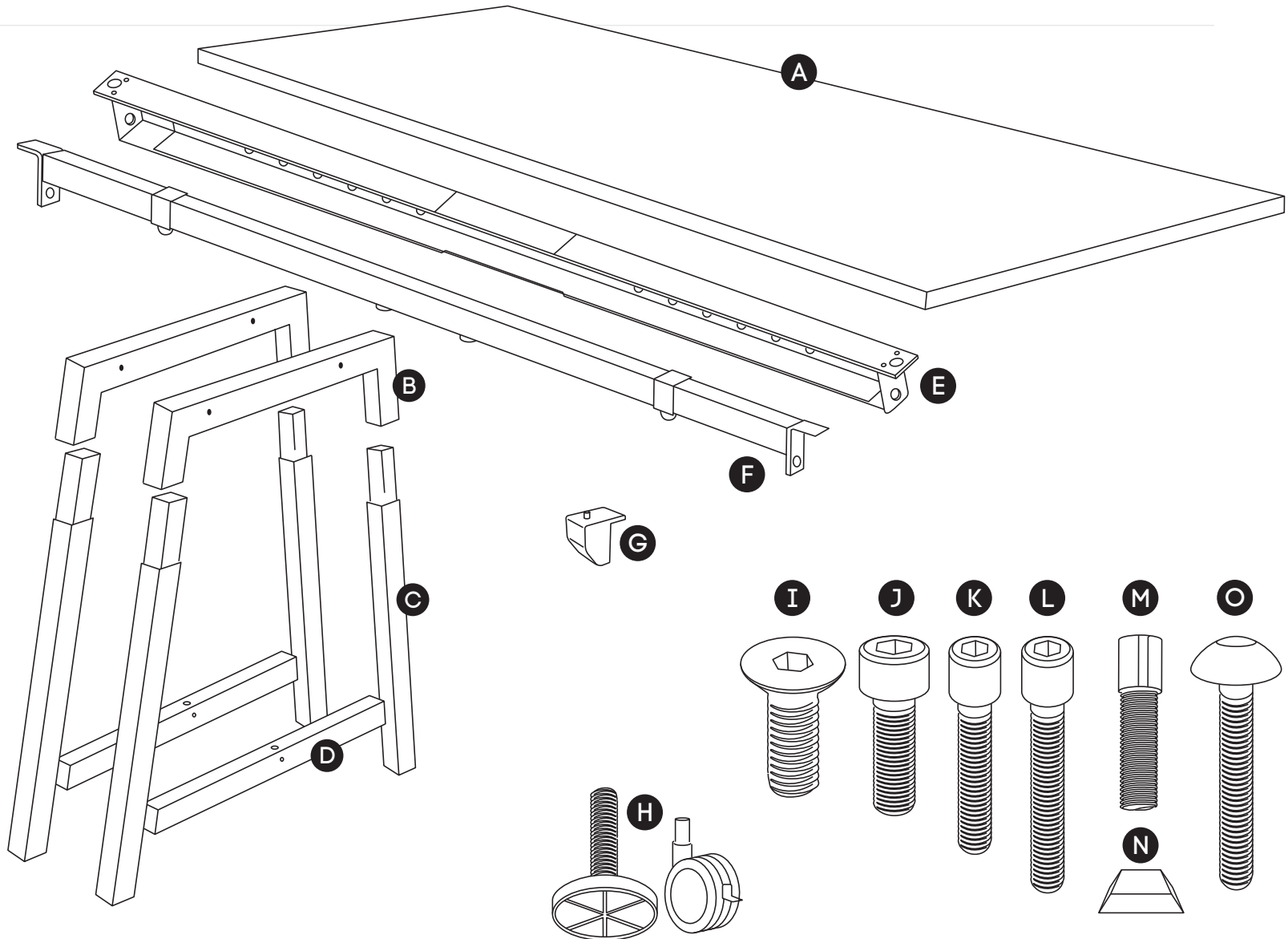
- A Table top x1
- B Leg Quadro A (Half leg) x2
- C Leg wood add on x4
- D Leg bottom beam
- E Upper beam x1 \*
- F Lower beam x1
- G Plastic bracket x4
- H Feets or Wheels x4 \*\*

## SCREWS

- I M8x20MM CSK x8
- J M8x20MM socket head x2
- K M6x20MM socket head x4
- L M6x30MM socket head x4
- M Pins x2
- N Corner pads x4
- O Mushroom head M6x30 x4

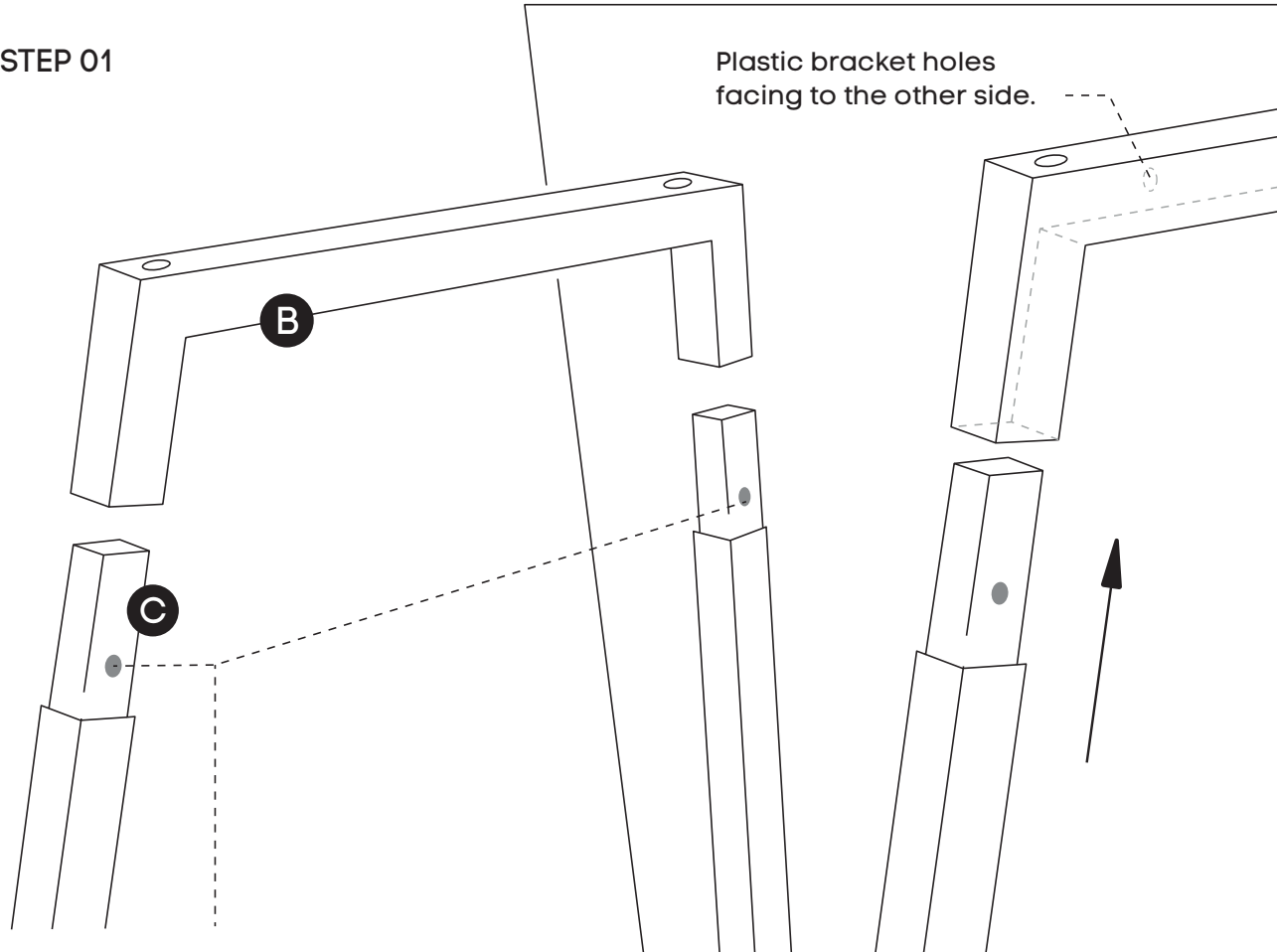
- P Allen key x2

\* Colour of the beam is always black, regardless desk frame colour.



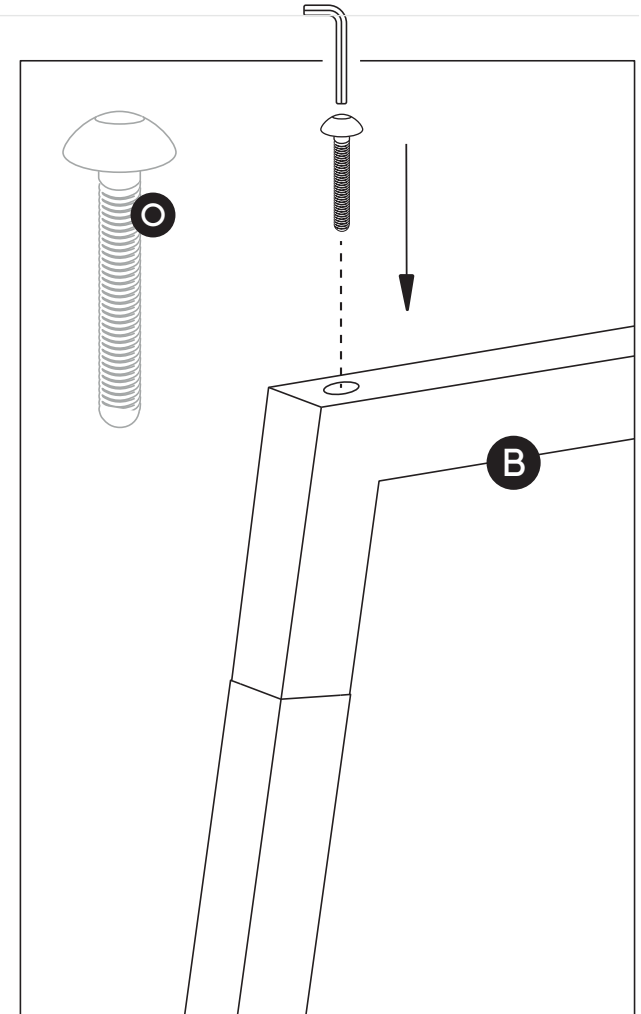
# Quadro A Wood Counter Table Frame

## STEP 01



You will notice two colored stickers located on each leg.

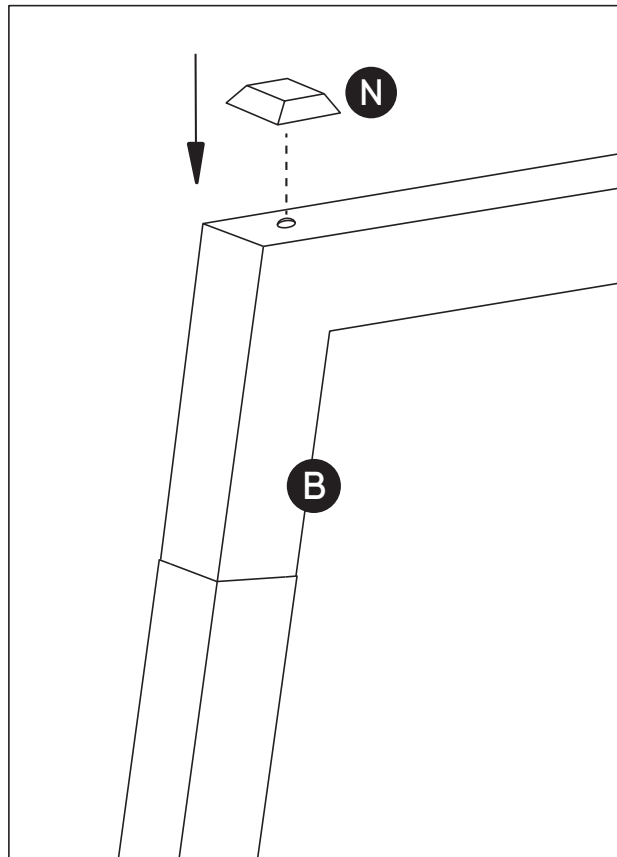
Both legs must have the colour sticker facing away from where the plastic brackets are inserted.



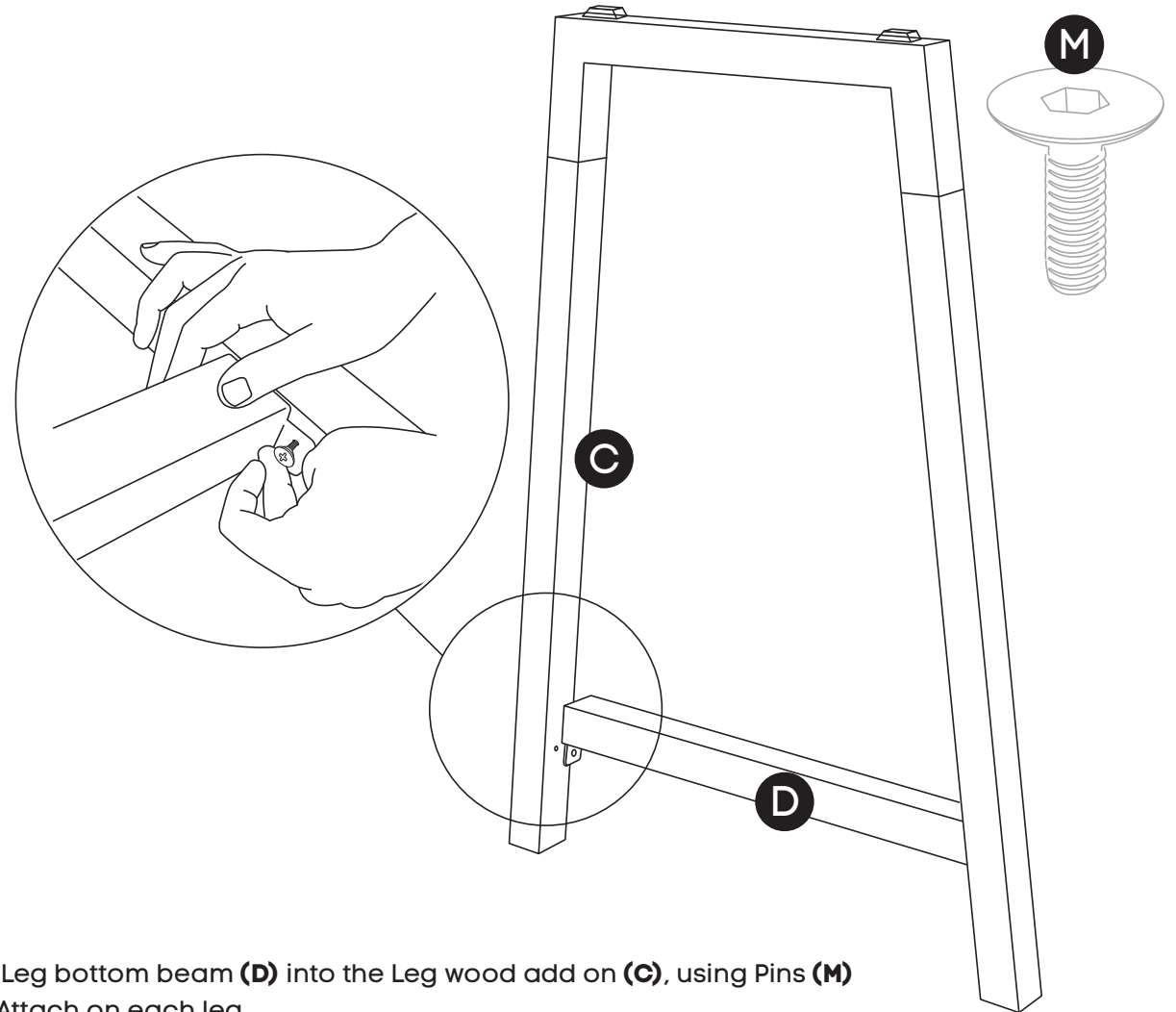
Insert the Leg wood add on (C) into the Leg Quadro A (Half leg) (B). Using Allen Key provided, attach mushroom head screw (O) for all legs.

# Quadro A Wood Counter Table Frame

## STEP 02



Now use corner pads **(N)** to cover the holes where just inserted the head screw sockets.

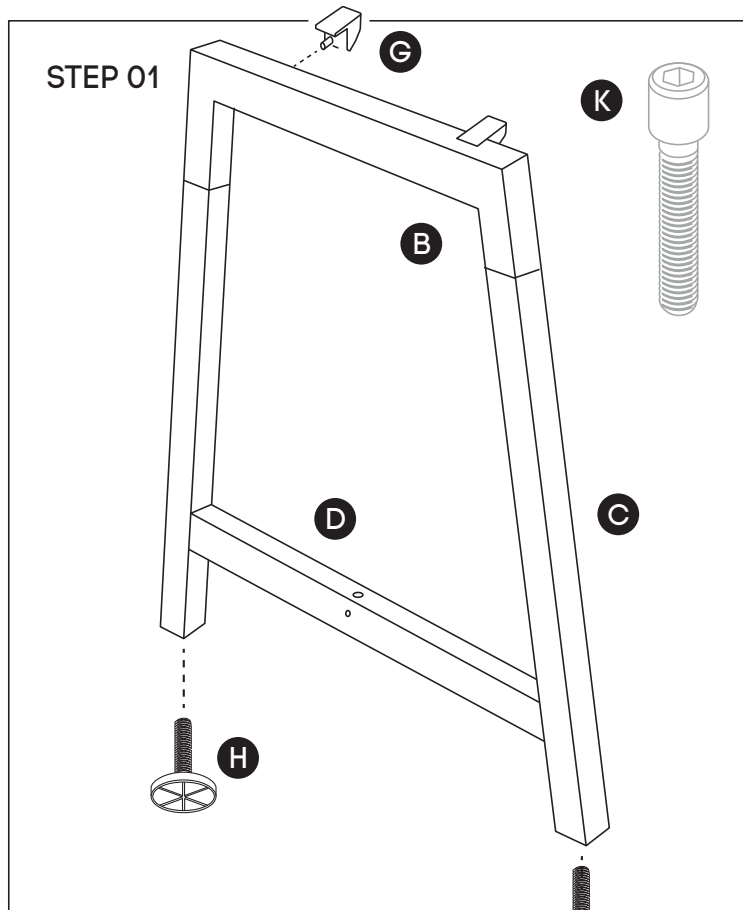


Insert the Leg bottom beam **(D)** into the Leg wood add on **(C)**, using Pins **(M)** provided. Attach on each leg.

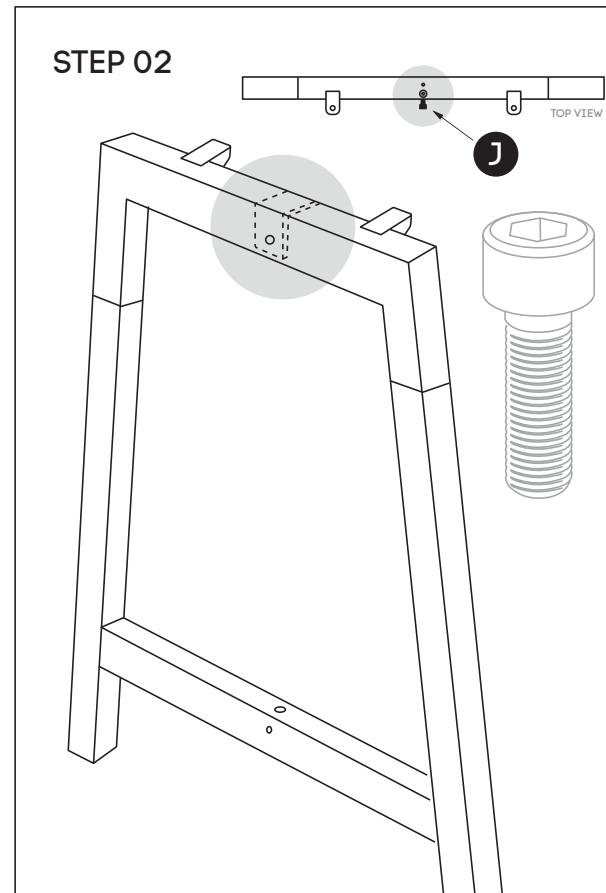
**Need help!**

Call us on **1300 527 665**

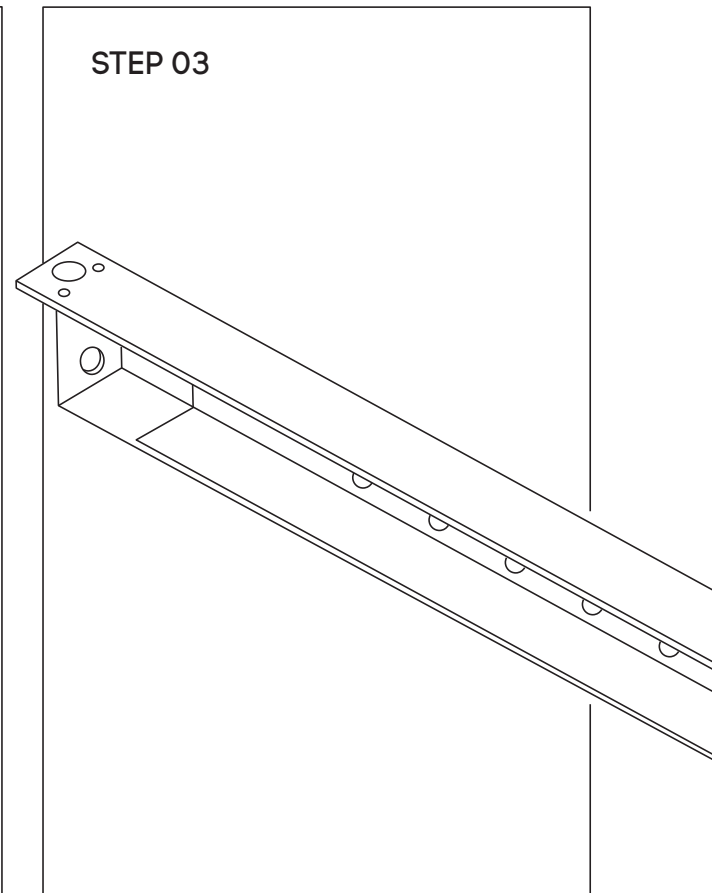
# Quadro A Wood Counter Table Frame



Using Allen Key provided, attach 2 plastic brackets per leg (G) (as per picture above) using M6x20MM (K) Socket head screw. Screw the feet (H) to the bottom of each Leg wood add on (C).



Using Allen Key provided, attach M8x20MM Socket head (J)- screw socket half way into leg for both legs

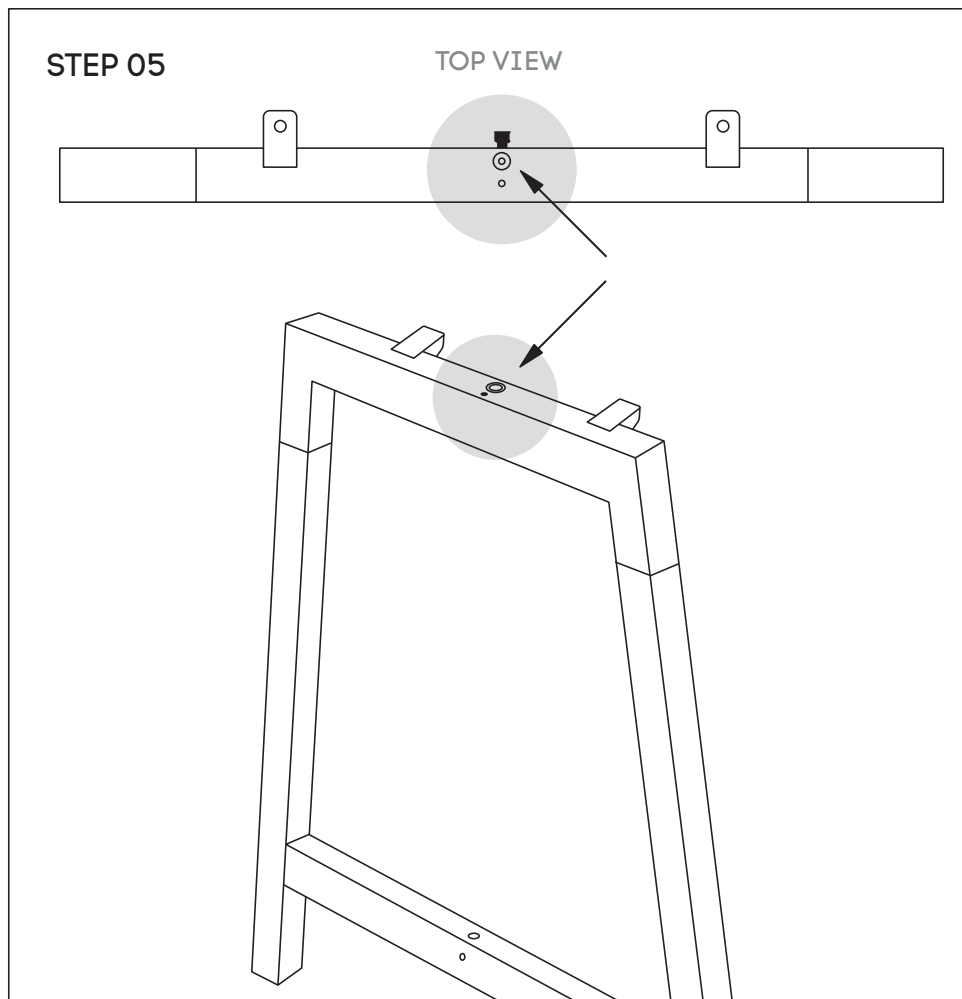


Use fixed beam (E) and secure beam using screws provided to suit desk

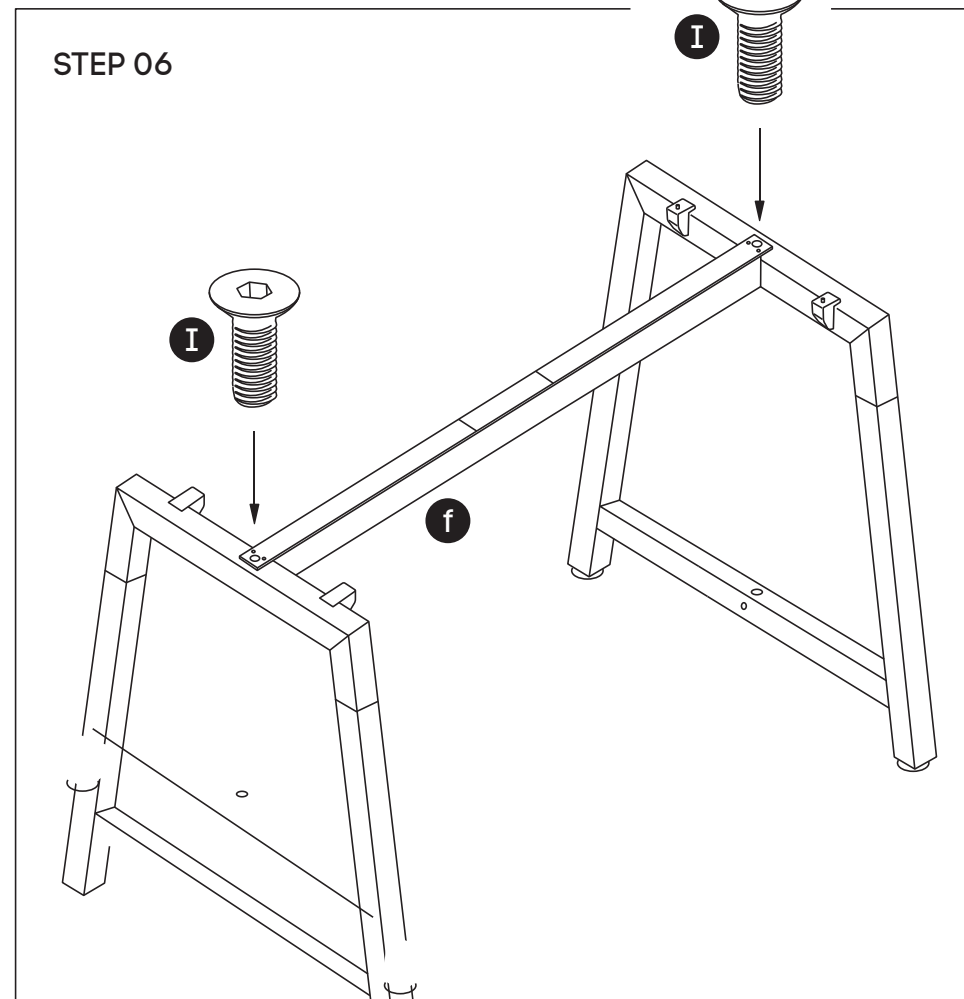
**Need help!**

Call us on **1300 527 665**

# Quadro A Wood Counter Table Frame

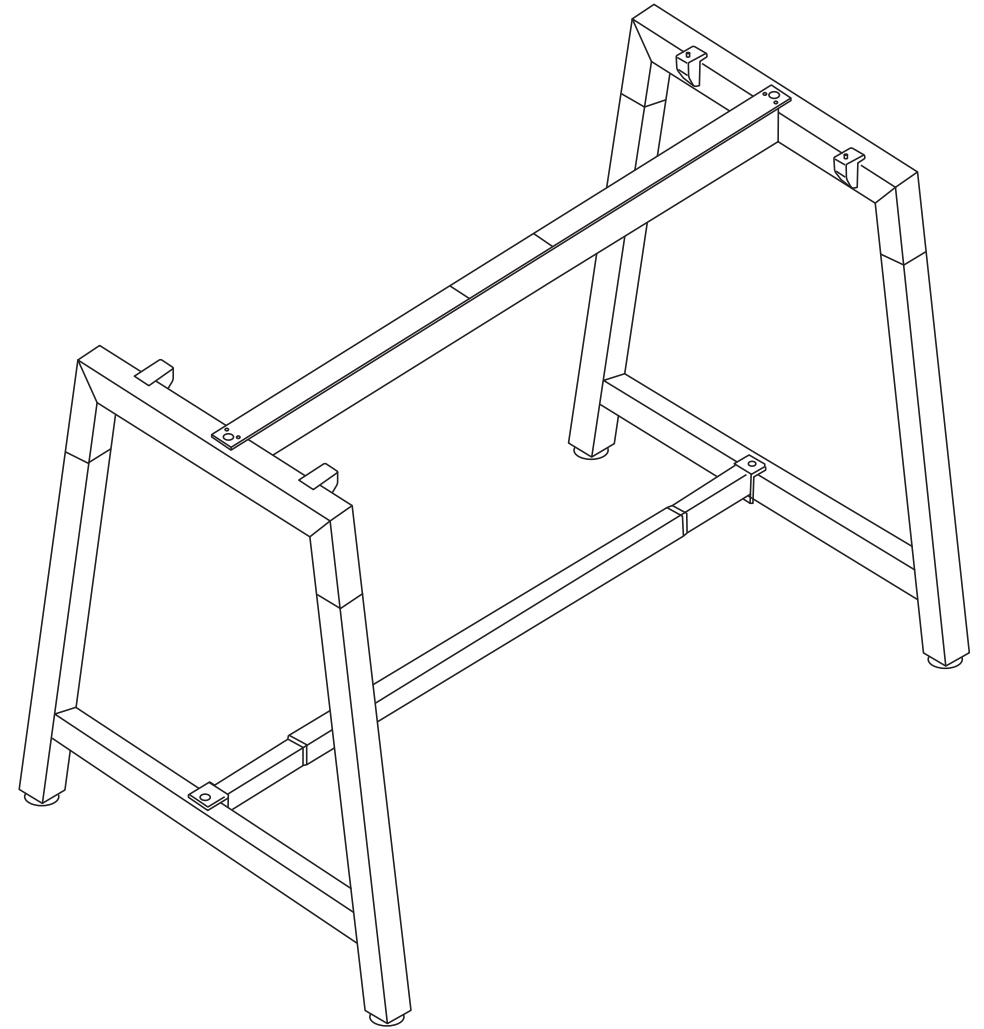
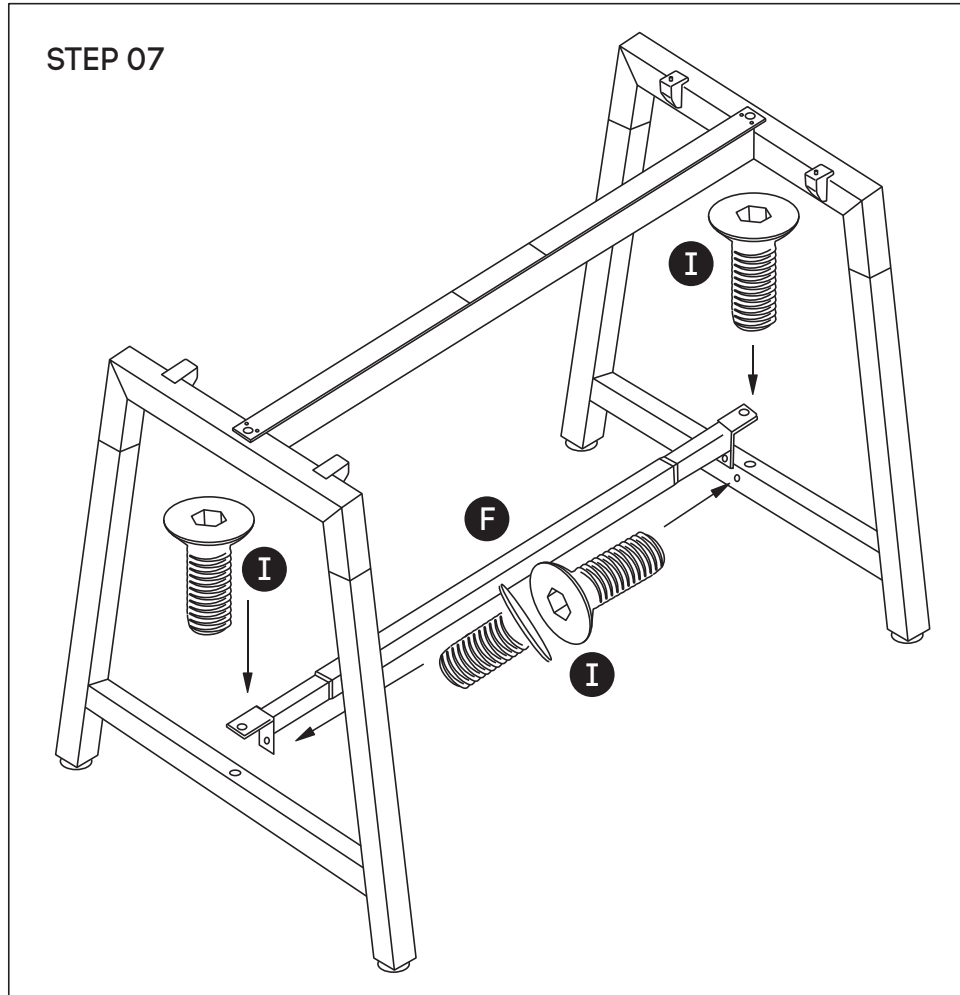


Attach Upper Beam **(F)** to legs using nut insert.  
See point attached



Frame looks like this. Using Allen Key, attach Upper Beam **(f)**  
with Sockets **(I)**.

# Quadro A Wood Counter Table Frame

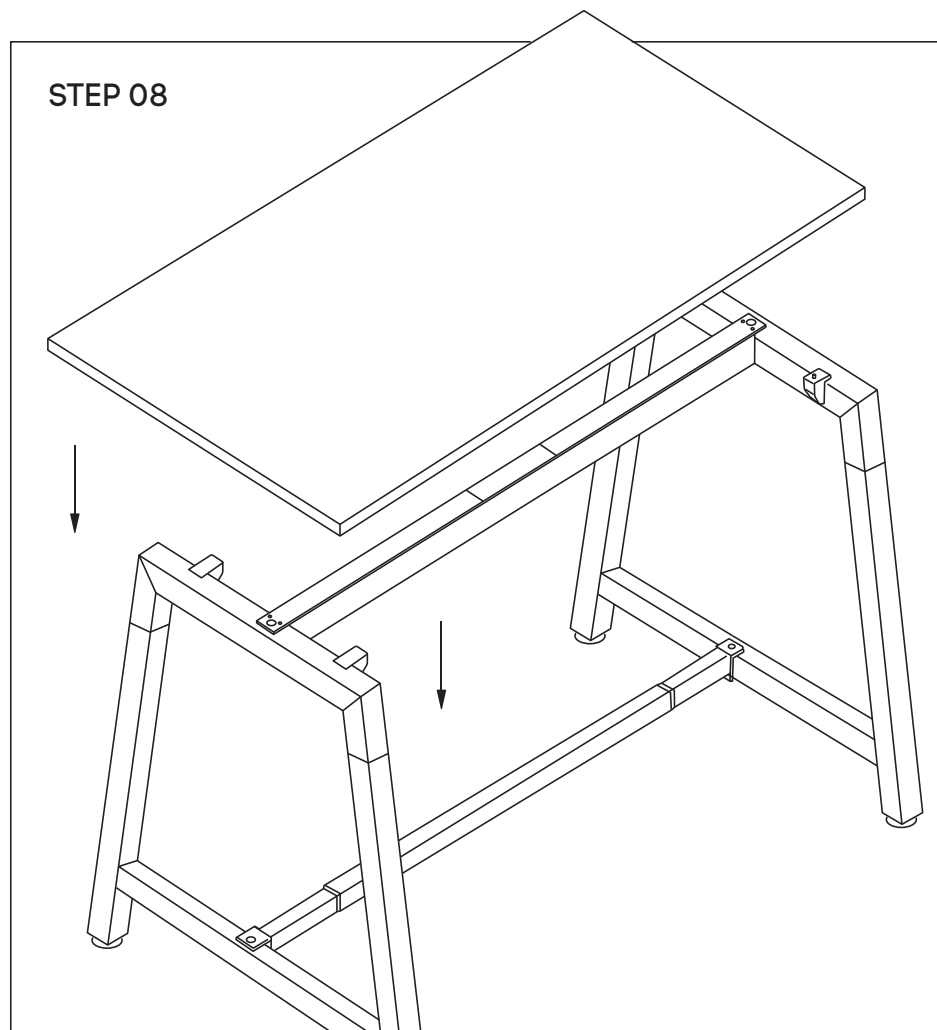


Frame looks like this. Using Allen Key. Tighen Sockets **(I)** on the Lower Beam **(F)** using Allen Key **(O)**. Insert plastic spacers to improve rigidity. Attach two Sockets **(I)** to the side of the lower side beams (as shown in the picture).

**Need help!**

Call us on **1300 527 665**

# Quadro A Wood Counter Table Frame



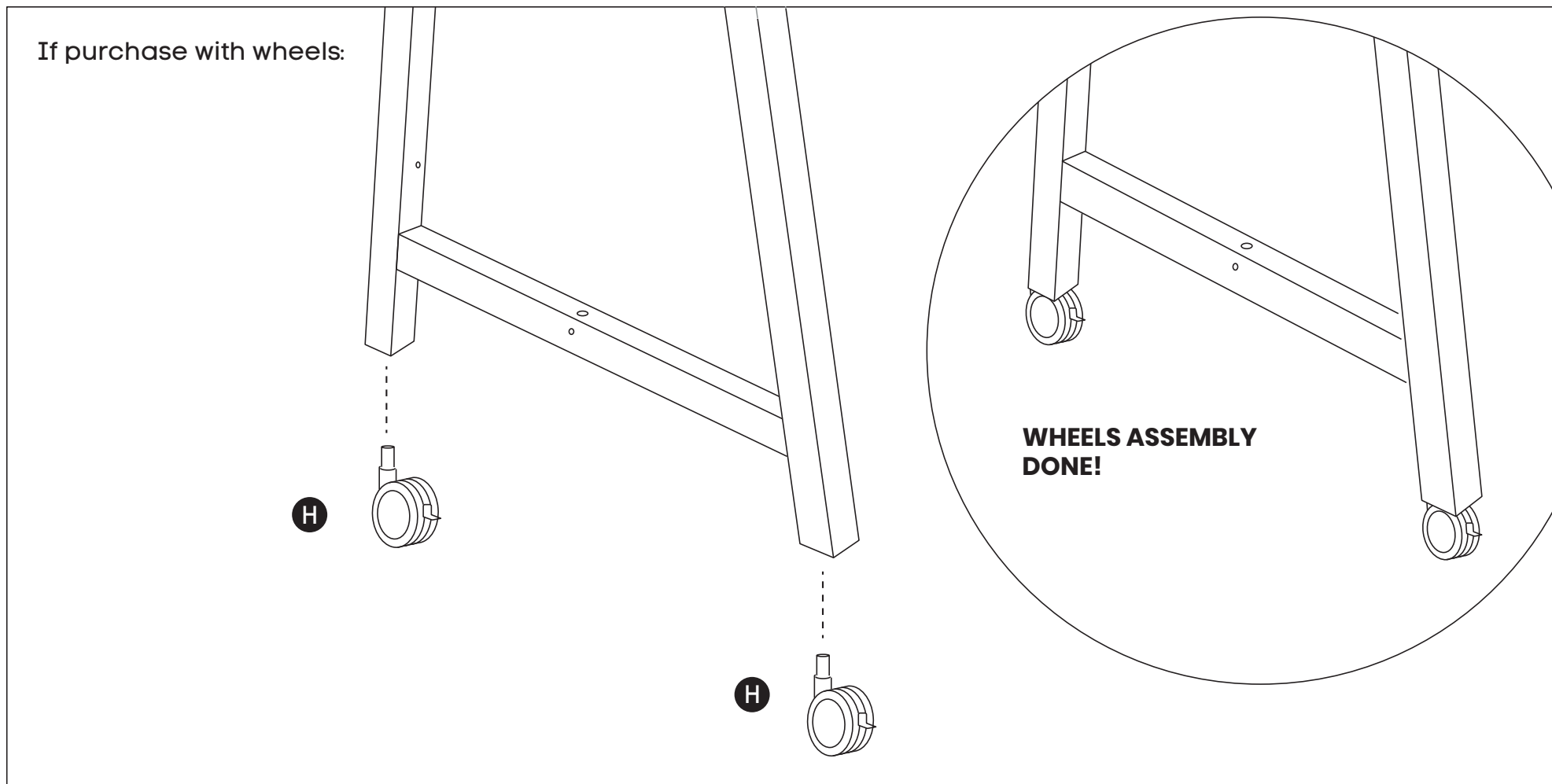
Place desktop on top of frame. Wood Screws to be drilled into the underneath Top.

**Need help!**

Call us on **1300 527 665**



# Quadro A Wood Counter Table Frame



Replace Feet on the bottom of each leg with wheels (H)

**Need help!**

Call us on **1300 527 665**