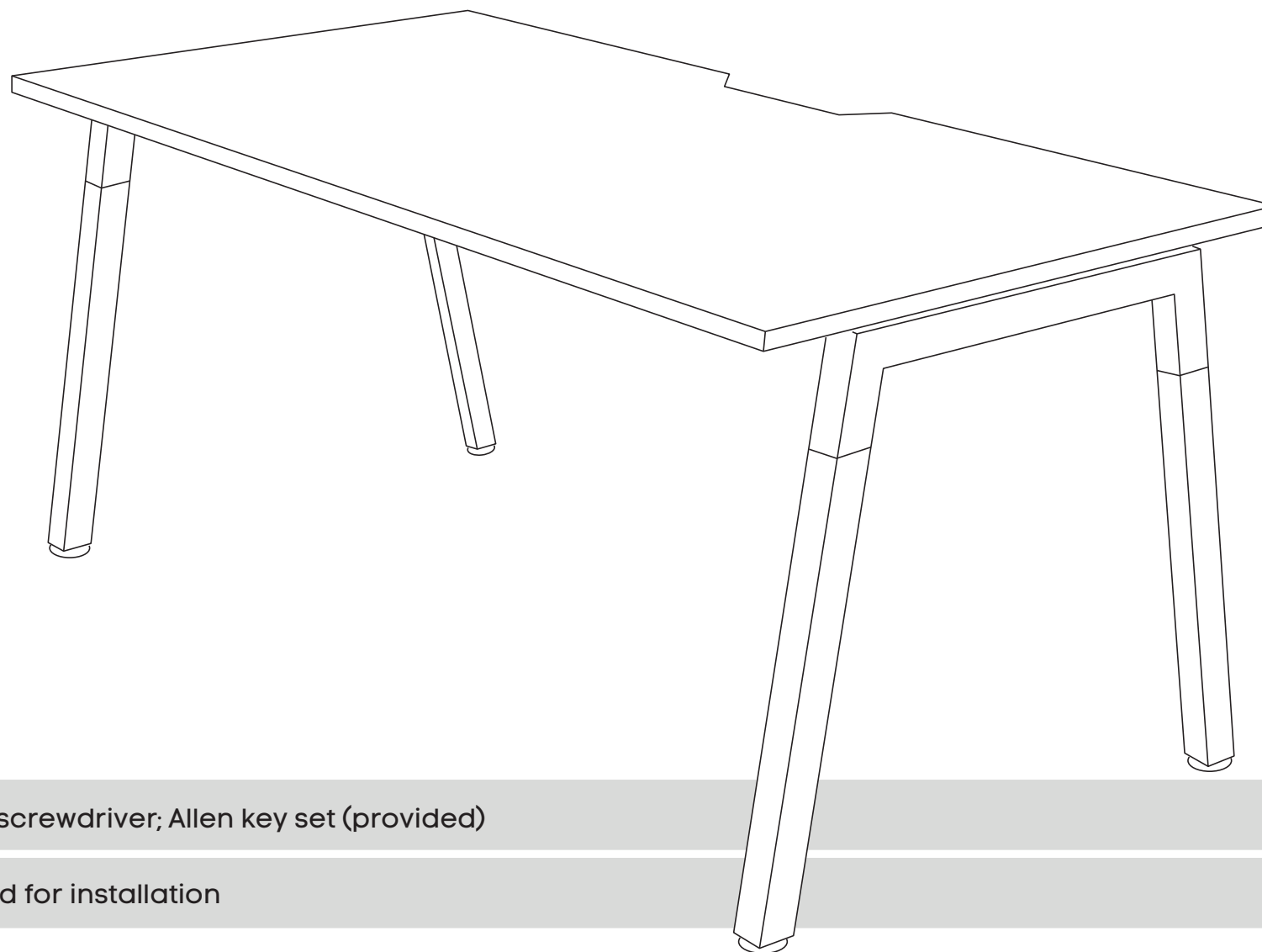


Quadro Wood Desk


Sizes:

1400x800

1600x800



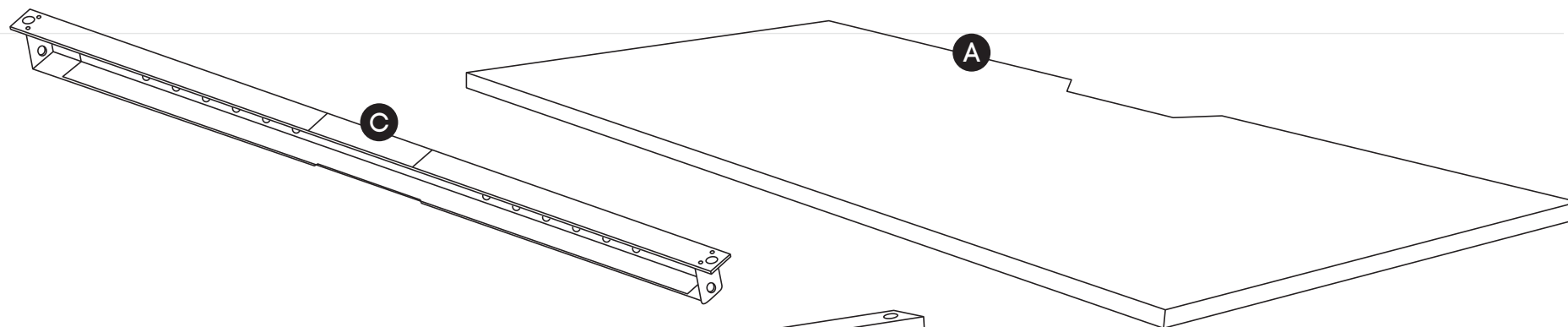
Tools Required: Power screwdriver; Allen key set (provided)

 2 persons required for installation

Need help!

Call us on **1300 527 665**

Quadro Wood Desk



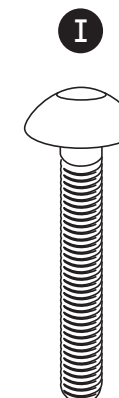
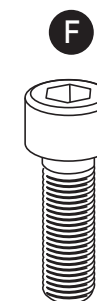
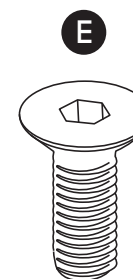
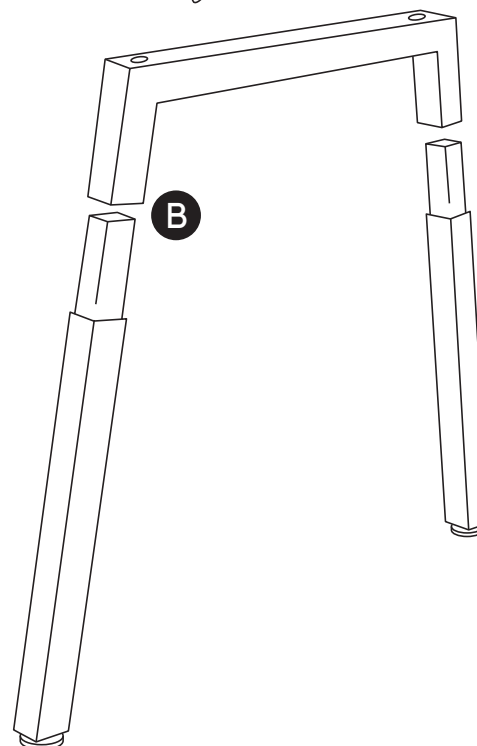
COMPONENTS

- A Table top x1
- B Legs Quadro A x2
- C Beam x1 *
- D Plastic bracket x4

SCREWS

- E M8x20MM CSK x2
- F M8x20MM Socket head x2
- G M6x20MM Socket head x4
- H M6x30MM Socket head x4
- I M6x30mm Mushroom head screw x4

- J Allen key x2



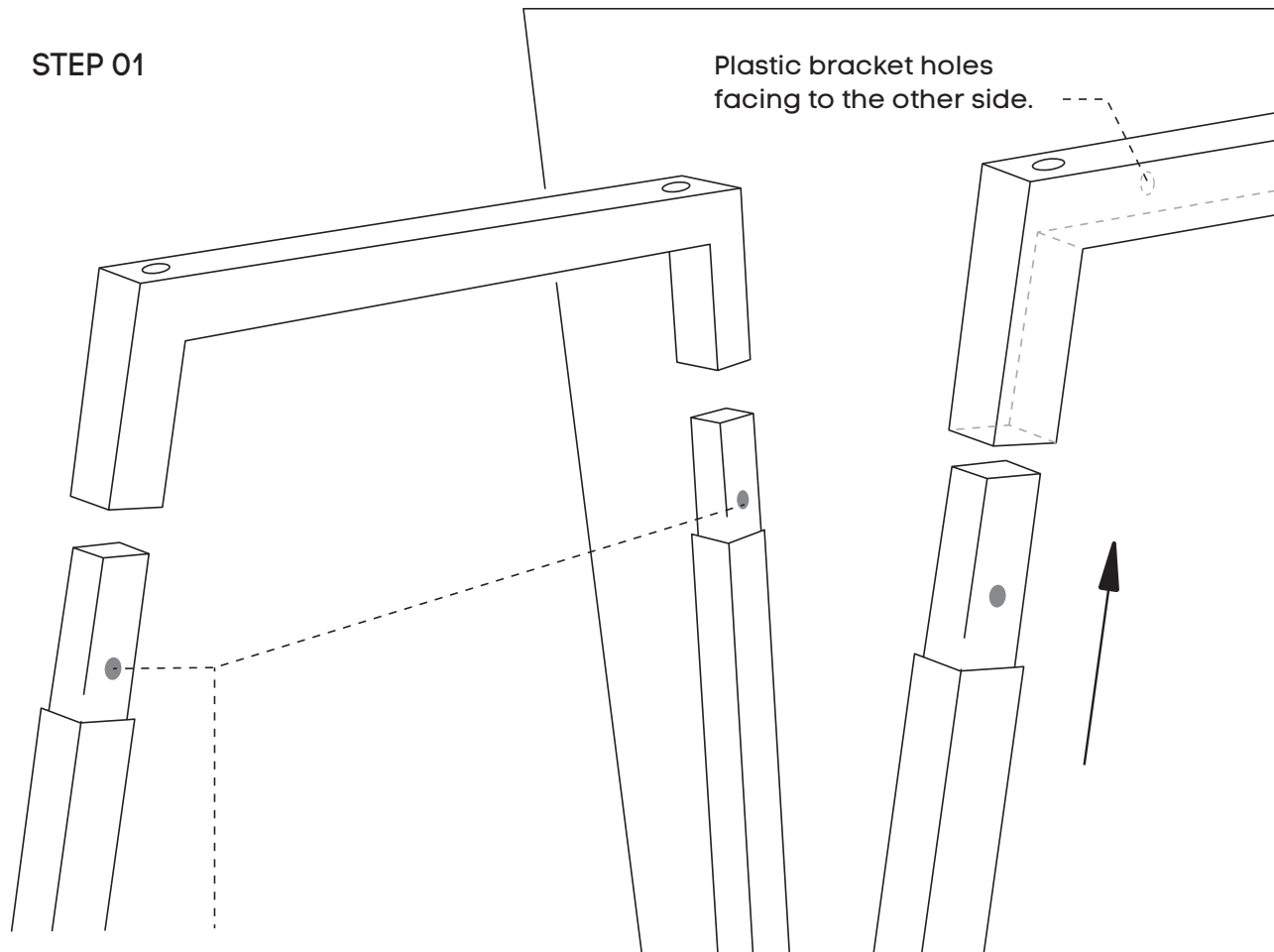
* Colour of the beam is always black, regardless desk frame colour.

Need help!

Call us on **1300 527 665**

Quadro Wood Desk

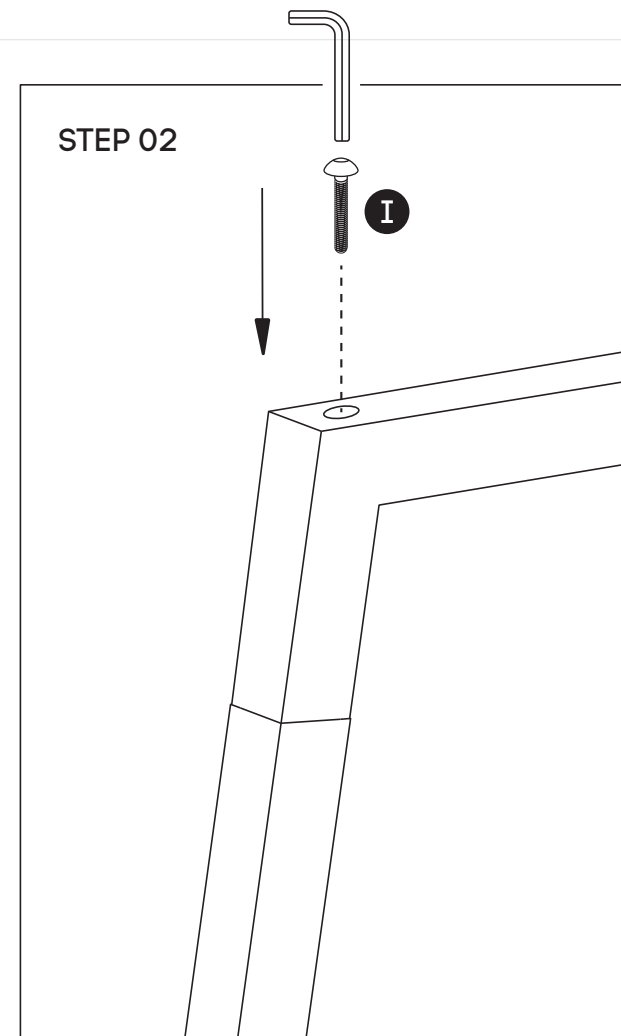
STEP 01



You will notice two colored stickers located on each leg.

Both legs must have the colour sticker facing away from where the plastic brackets are inserted.

STEP 02

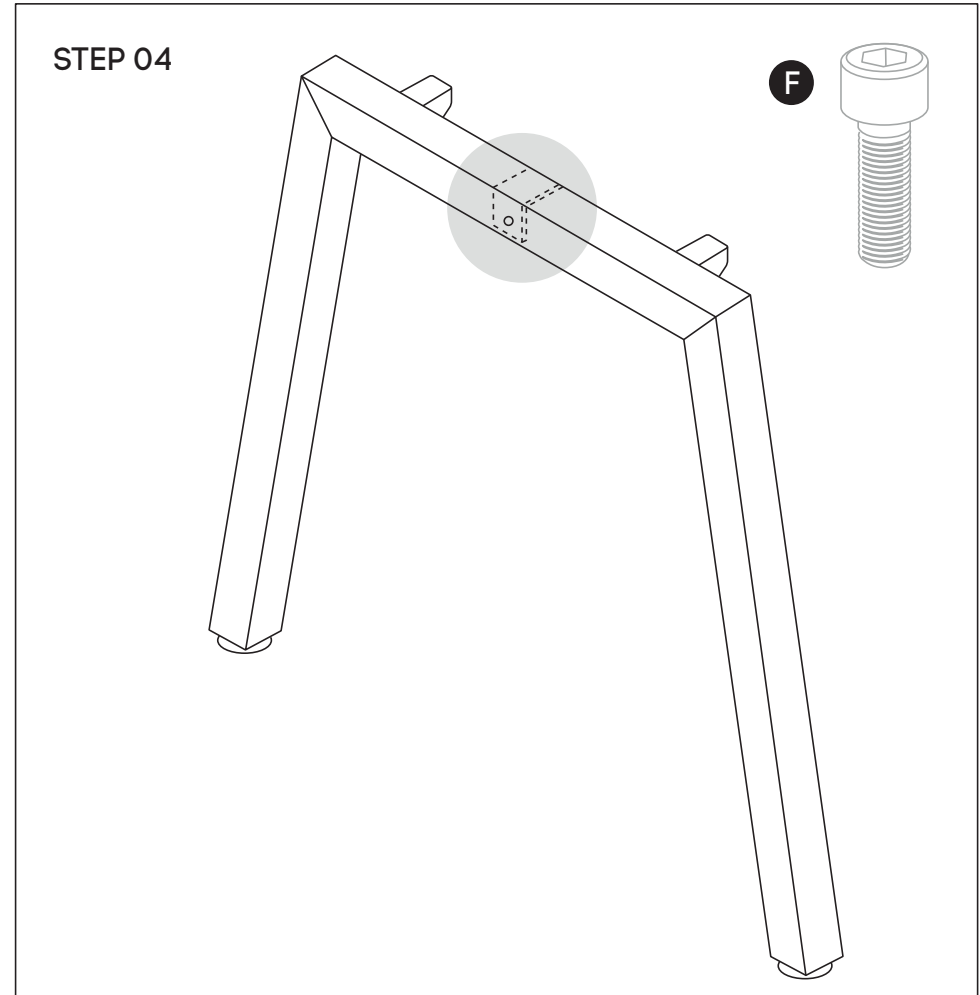


Insert the bottom of the legs as shown in the illustration. Using Allen Key provided, attach Mushroom Head Screw (I) - for all legs.

Quadro Wood Desk



Using Allen Key provided, attach 2 plastic brackets per leg **(D)** (as per picture above) using M6x20MM **(G)** Socket head screw

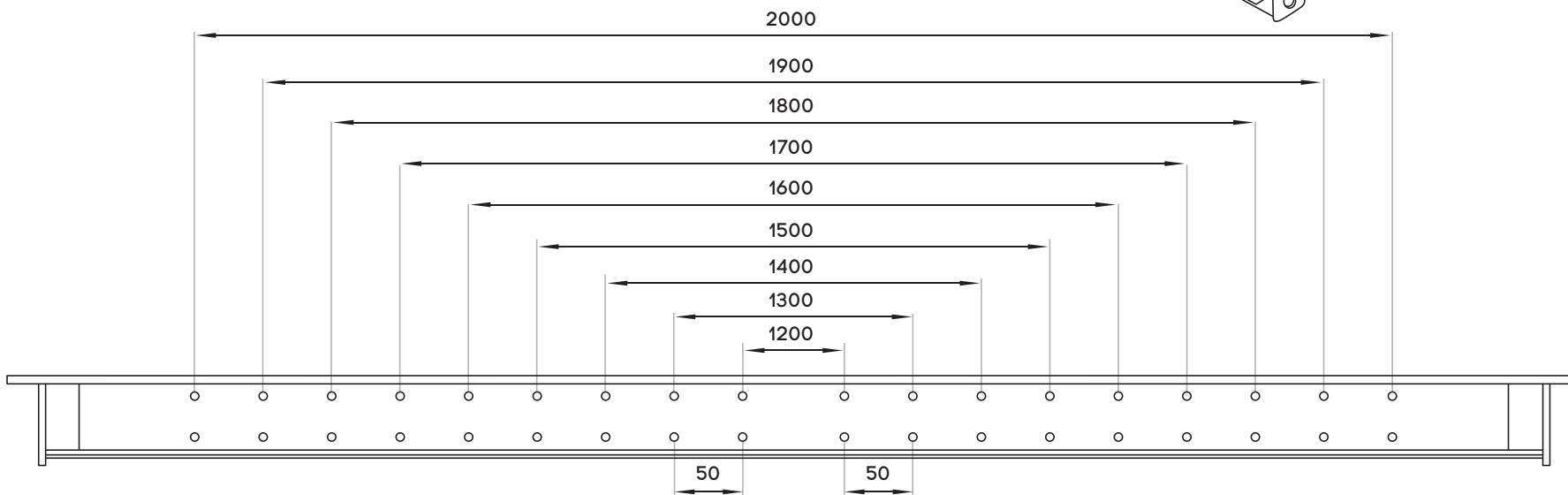
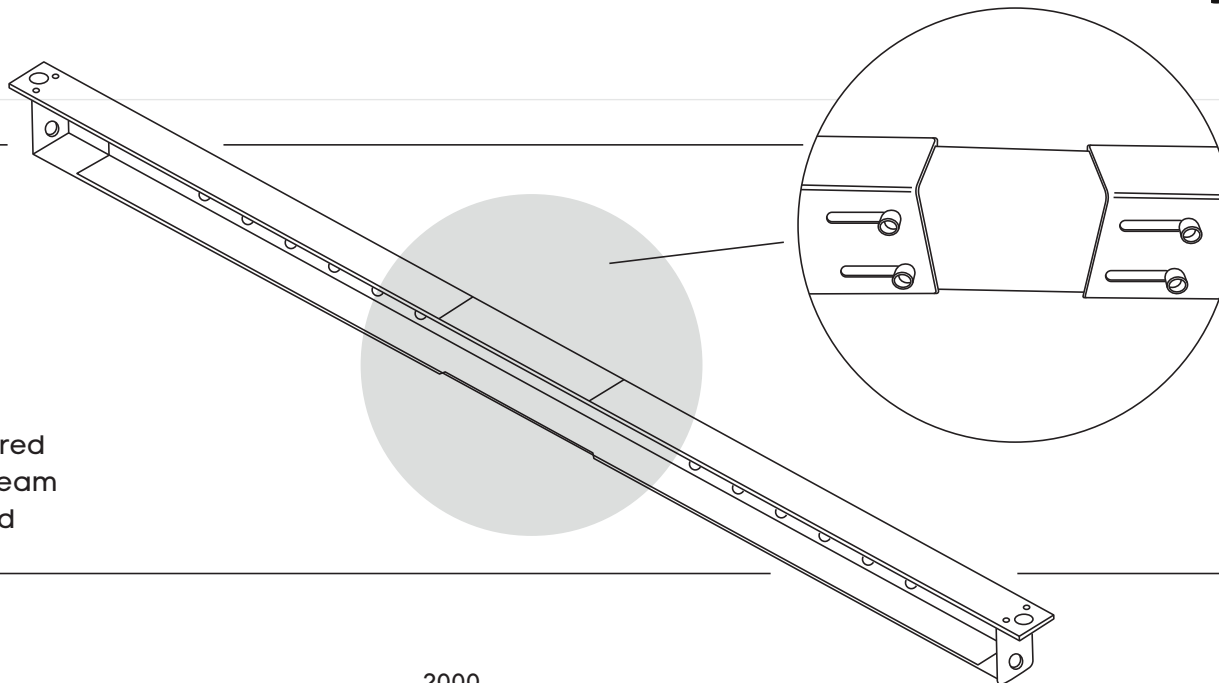


Using Allen Key provided, attach M8x20MM Socket head **(F)**-screw socket half way into leg for both legs **(B)**

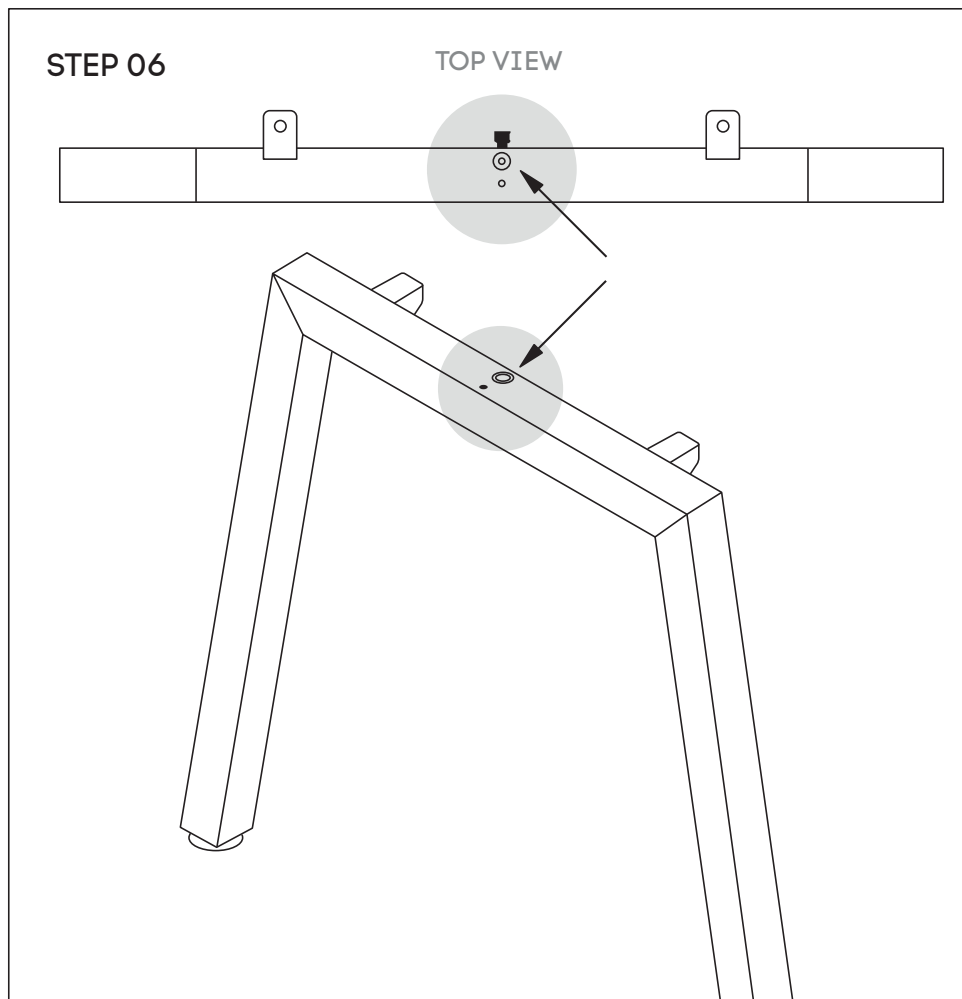
Quadro Wood Desk

STEP 05

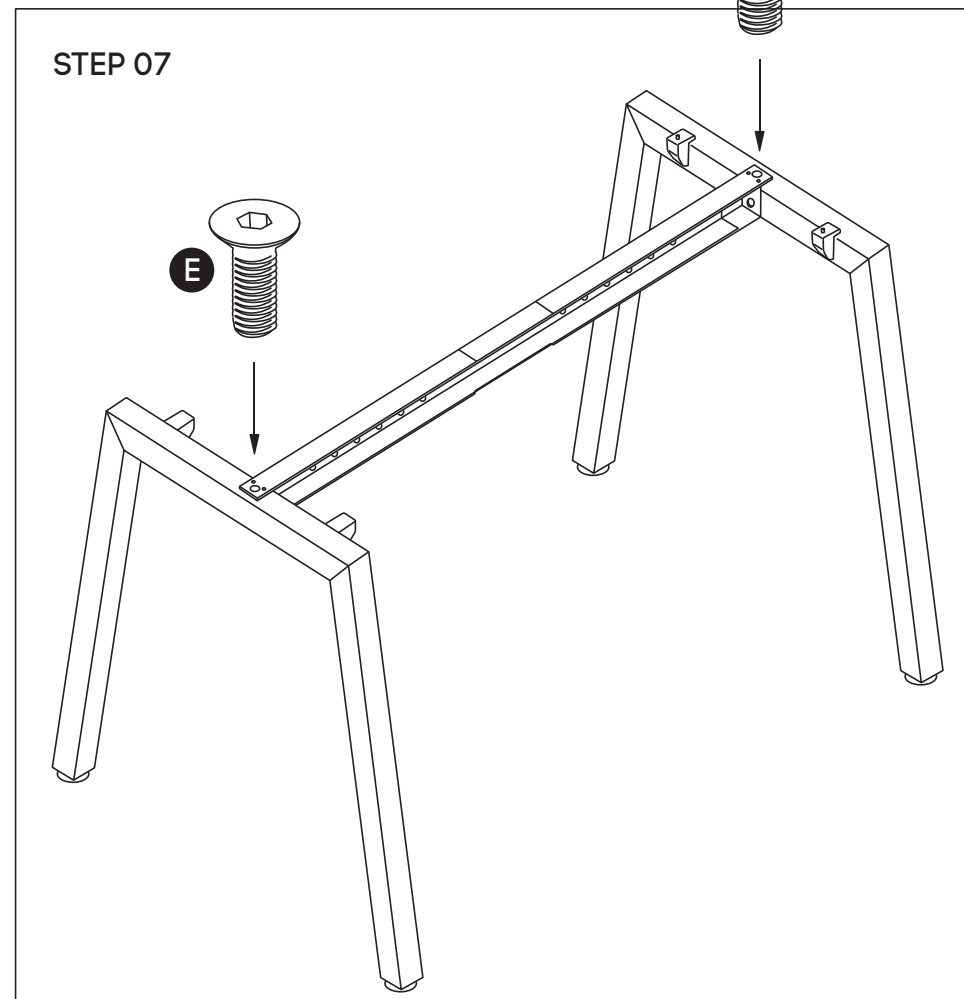
Adjust extendable beam (C) to desired length using markers and secure beam at that length using screws provided



Quadro Wood Desk



Attach beam **(C)** to legs **(B)** using nut insert in legs.
See point attached



Frame looks like this. Using Allen Key, attach beam **(C)** with Socket **(E)**

Need help!

Call us on **1300 527 665**

Quadro Wood Desk

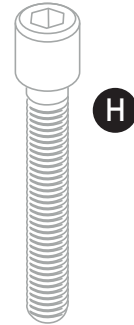
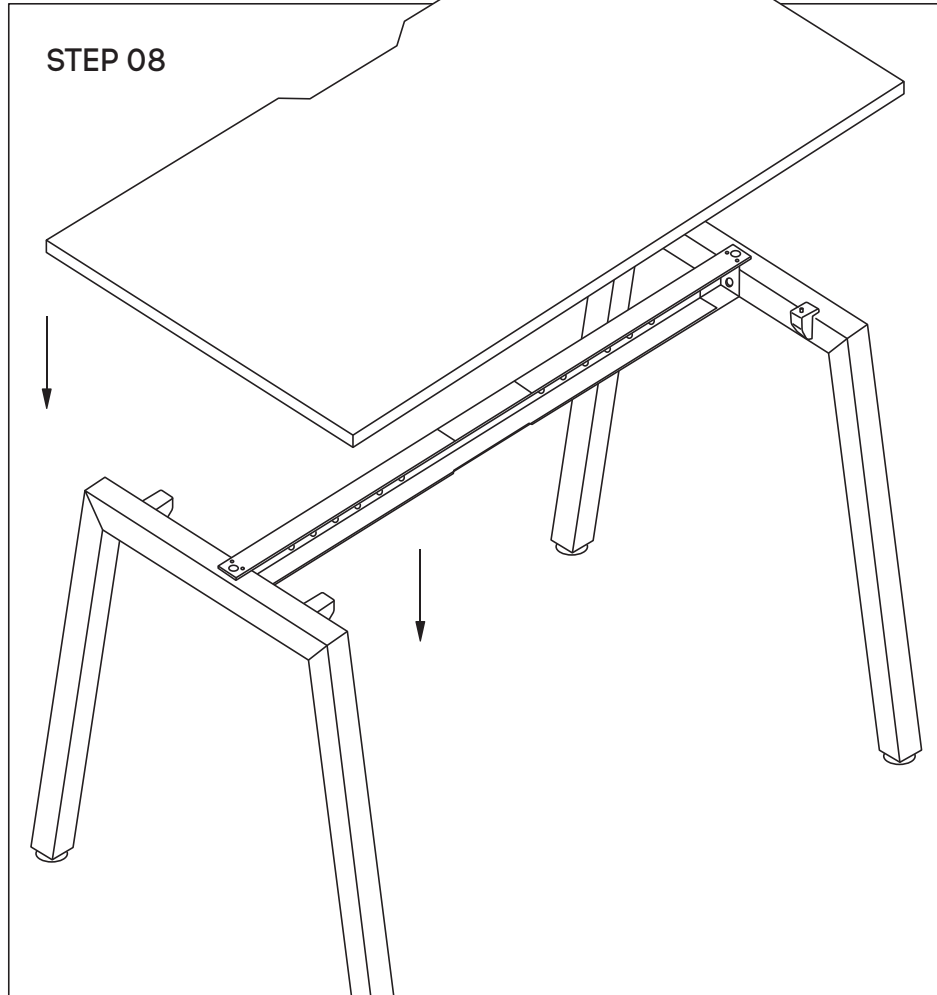
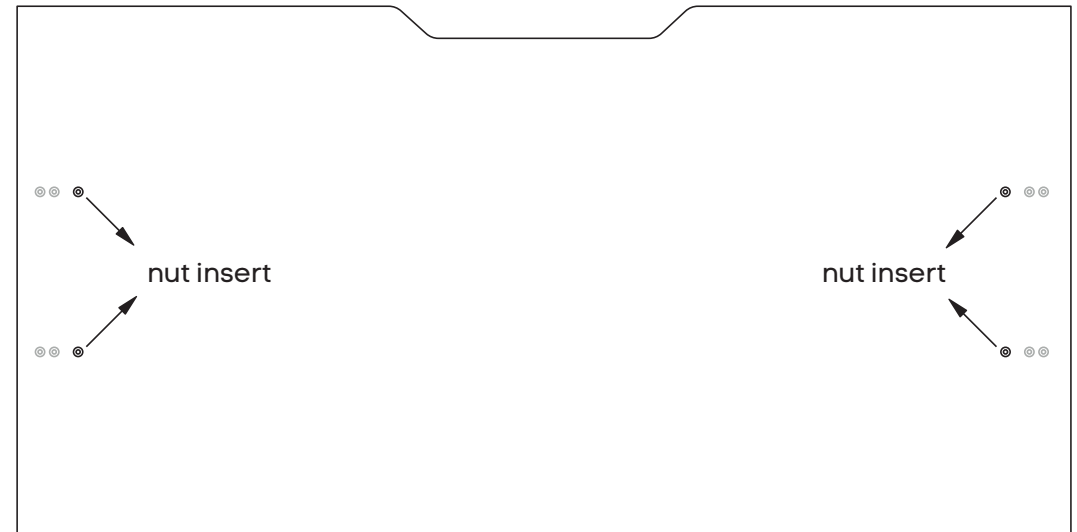


TABLE TOP
BOTTOM VIEW



Place desktop on top of frame - with cutout at the back of the desk. Nut inserts in top will align with plastic joiner brackets using M6x30MM (H) sockets attached top to frame.