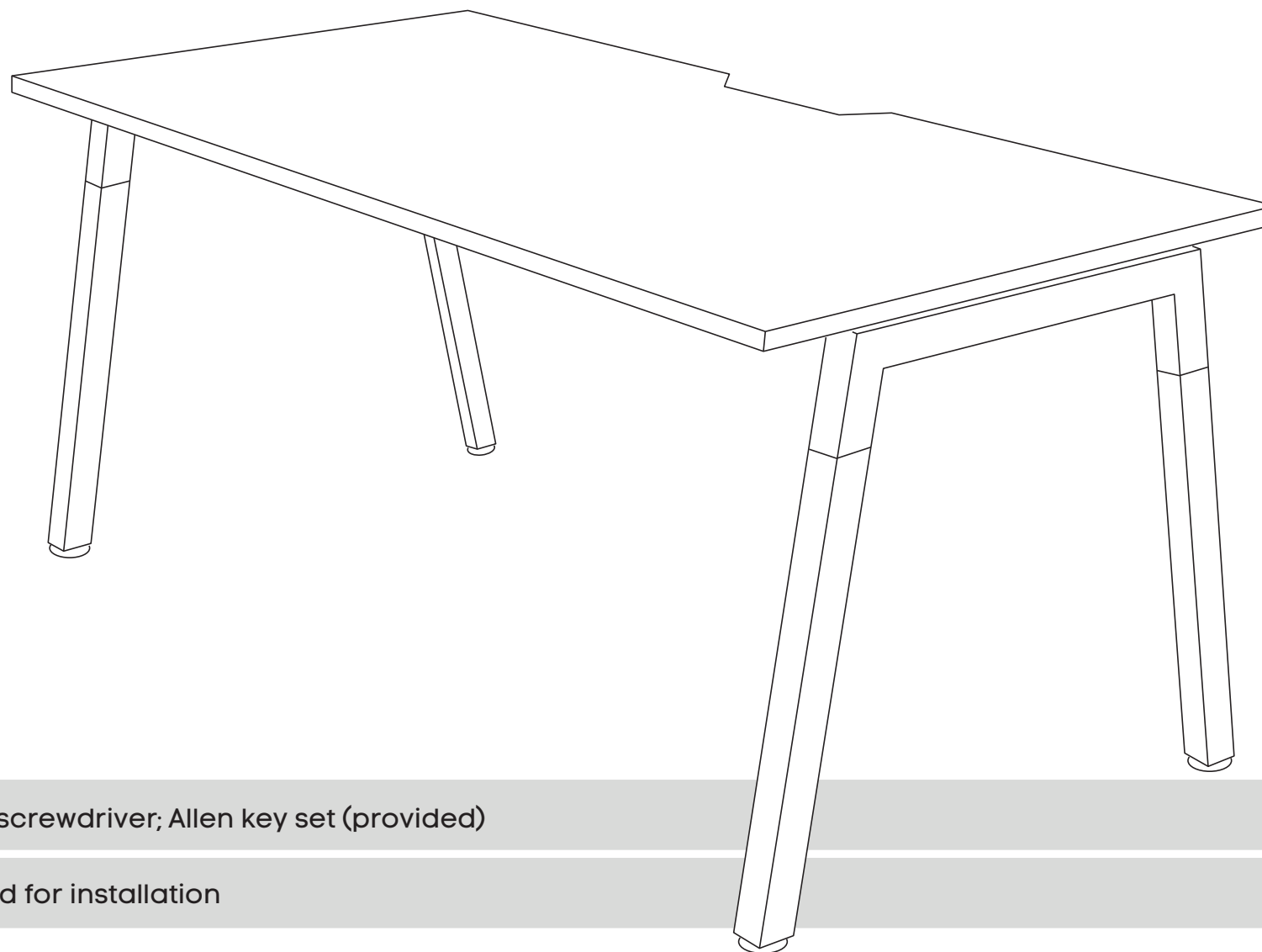


# Quadro Wood Desk


**Sizes:**

1200x800

1800x800



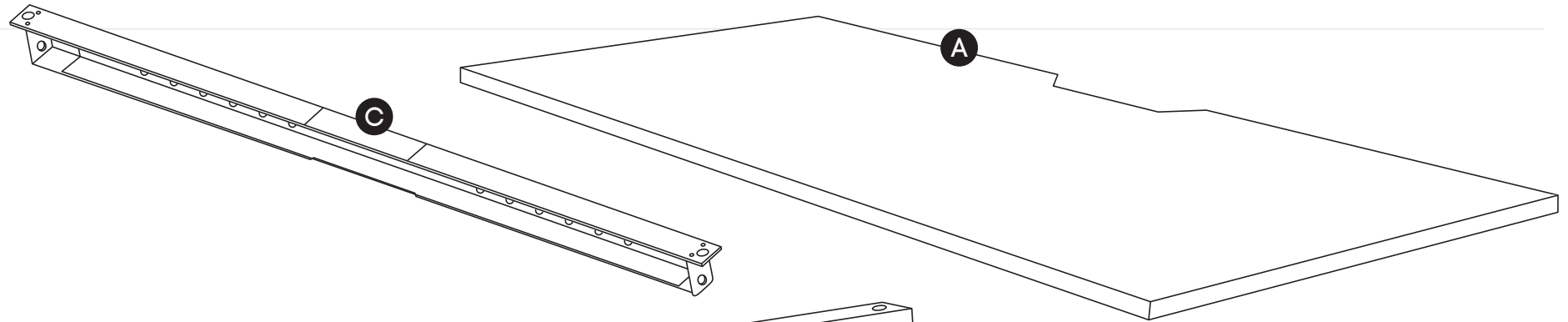
**Tools Required:** Power screwdriver; Allen key set (provided)

 2 persons required for installation

**Need help!**

Call us on **1300 527 665**

# Quadro Wood Desk



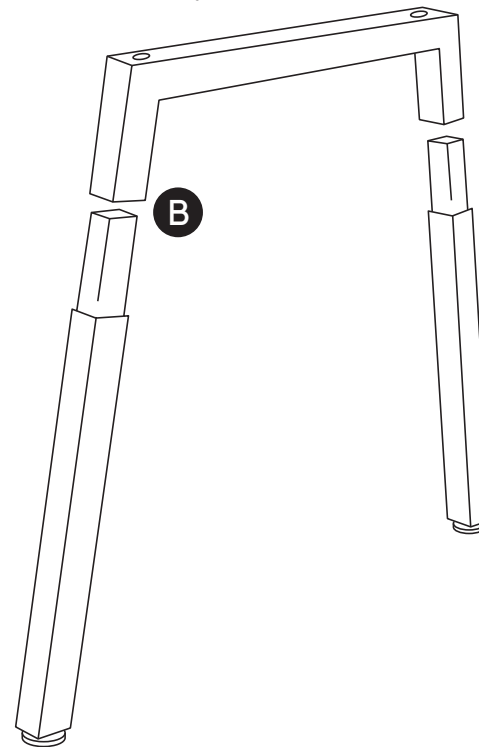
## COMPONENTS

- A Table top x1
- B Legs Quadro A x2
- C Beam x1 \*
- D Plastic bracket x4

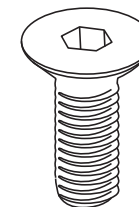
## SCREWS

- E M8x20MM CSK x2
- F M8x20MM Socket head x2
- G M6x20MM Socket head x4
- H M6x30MM Socket head x4
- I M6x30mm Mushroom head screw x4

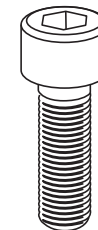
- J Allen key x2



E



F



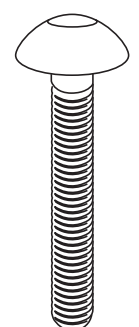
G



H



I



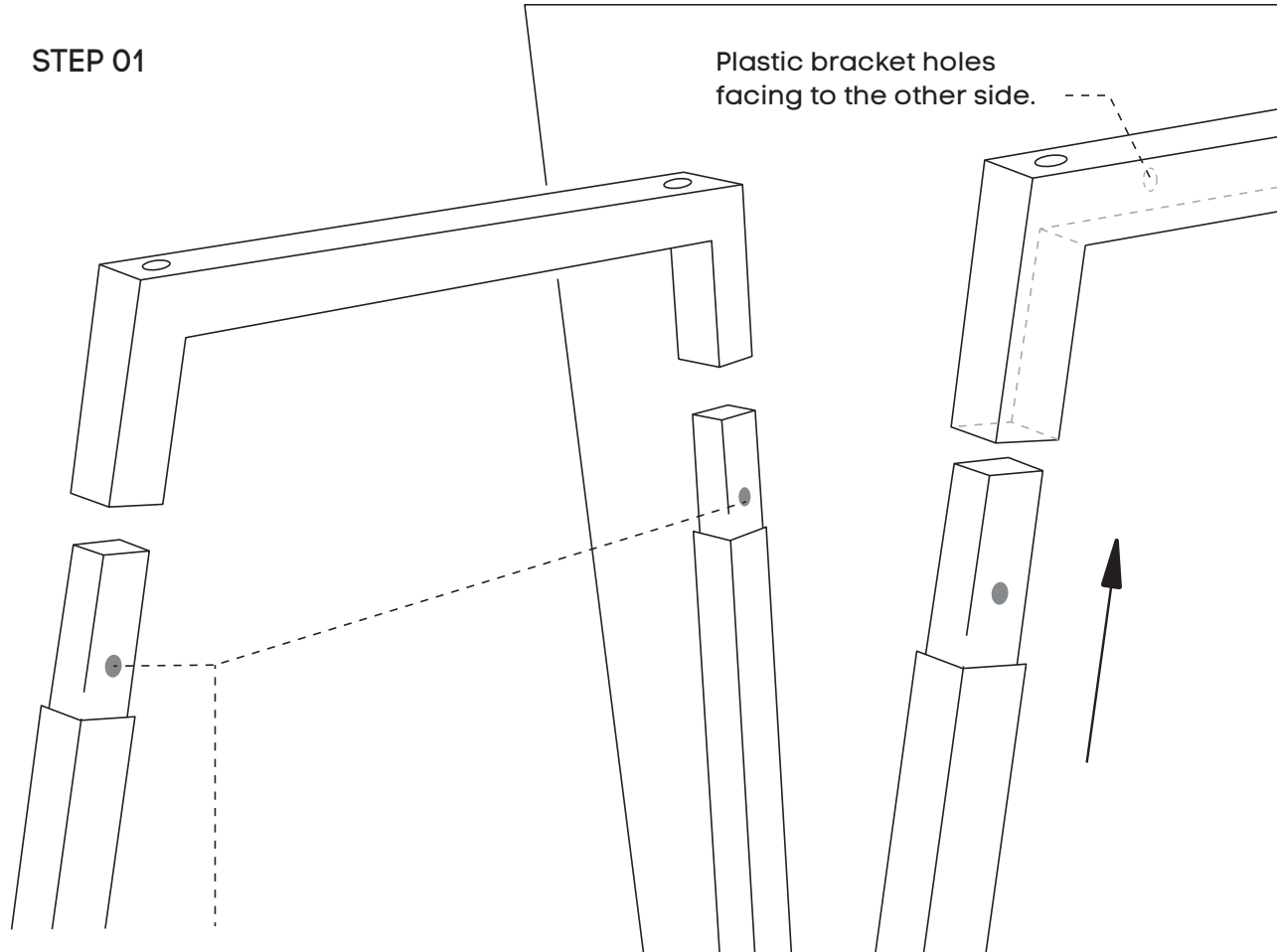
\* Colour of the beam is always black, regardless desk frame colour.

**Need help!**

Call us on **1300 527 665**

# Quadro Wood Desk

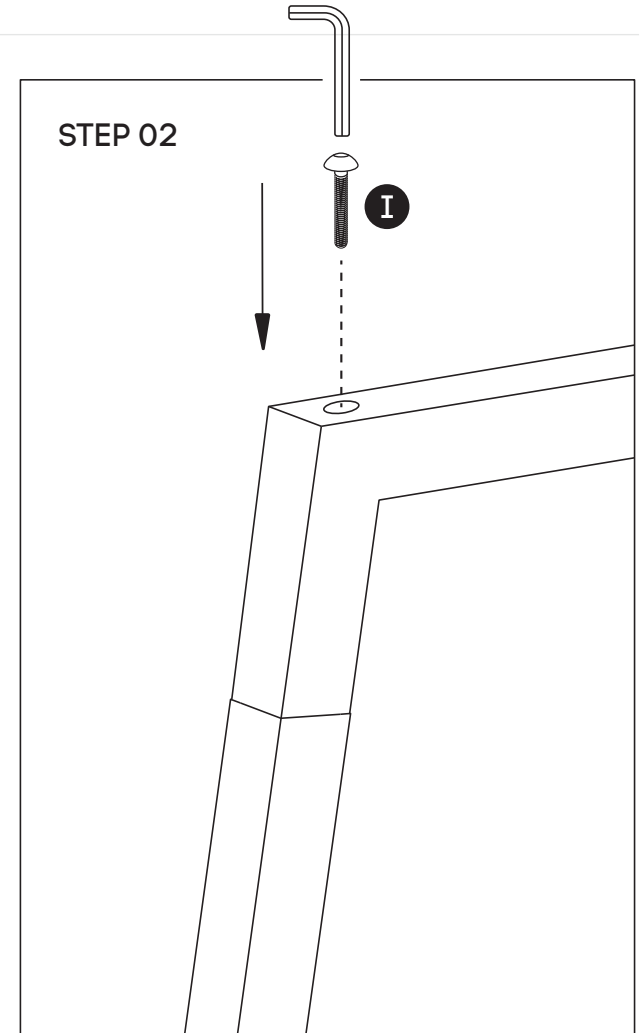
## STEP 01



You will notice two colored stickers located on each leg.

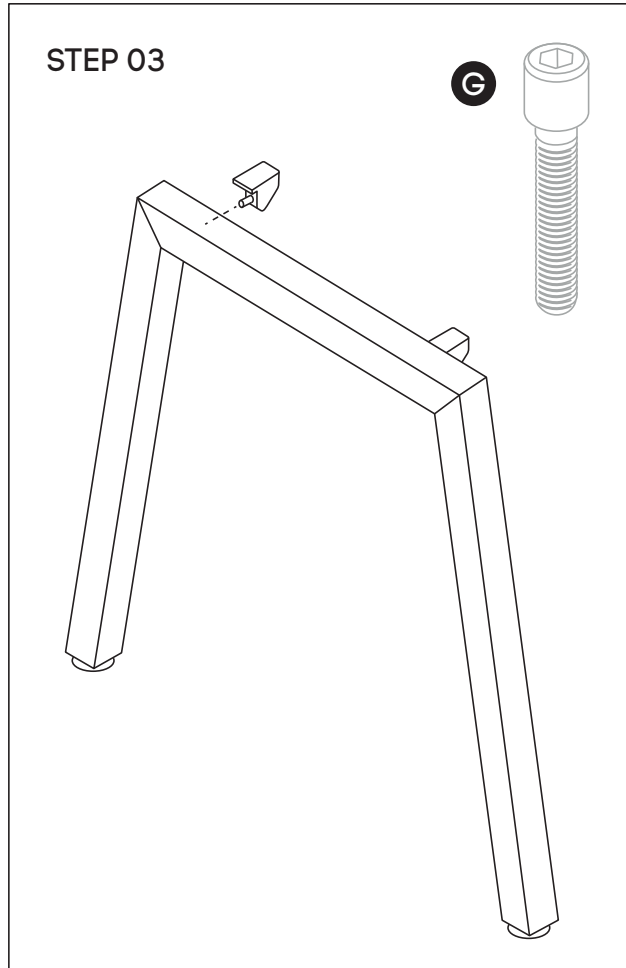
Both legs must have the colour sticker facing away from where the plastic brackets are inserted.

## STEP 02

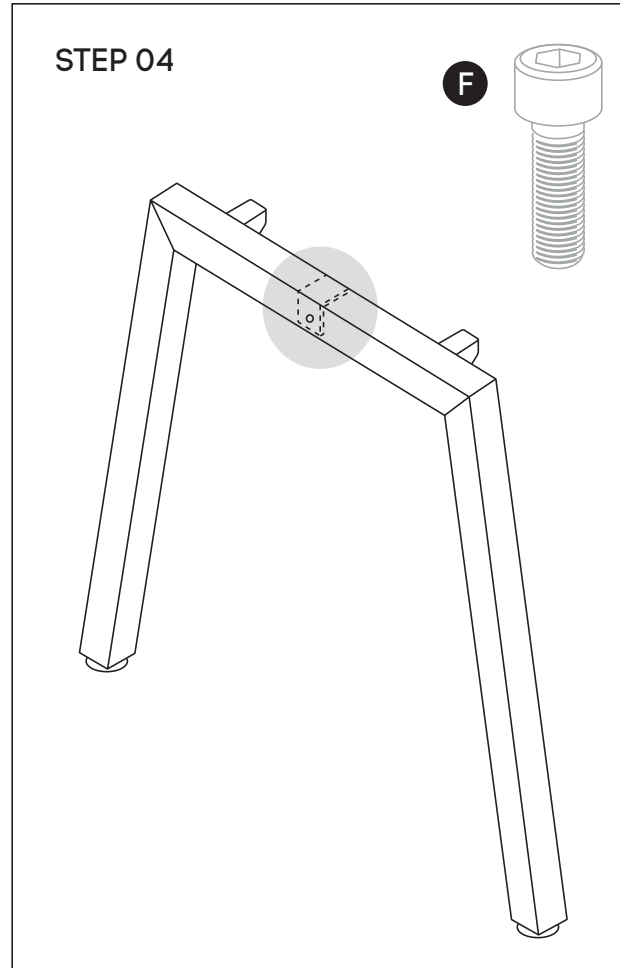


Insert the bottom of the legs as shown in the illustration. Using Allen Key provided, attach Mushroom Head Screw (I) - for all legs.

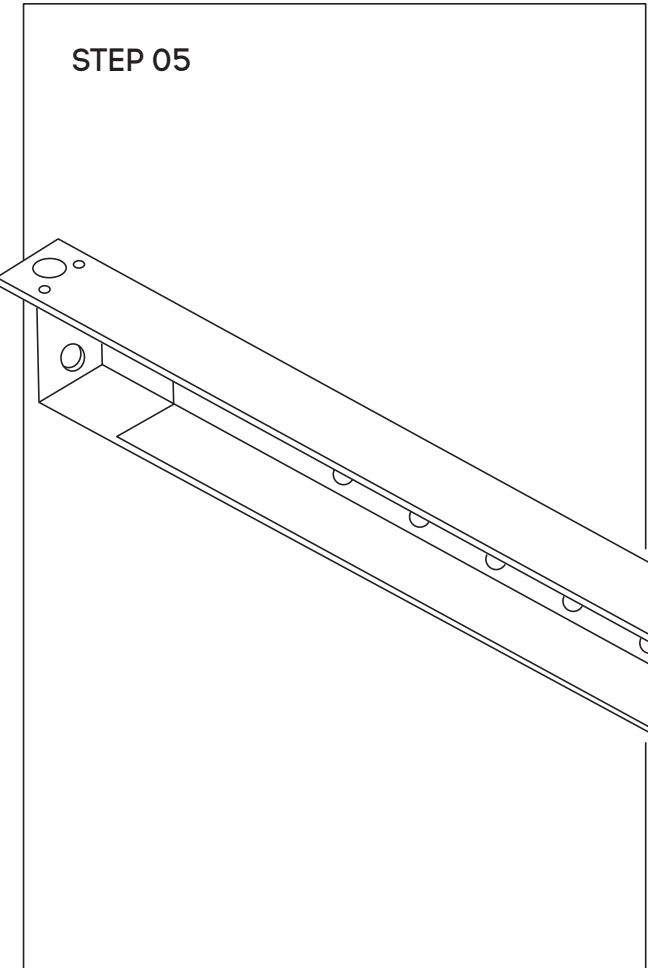
# Quadro Wood Desk



Using Allen Key provided, attach 2 plastic brackets per leg **(D)** (as per picture above) using M6x20MM **(G)** Socket head screw

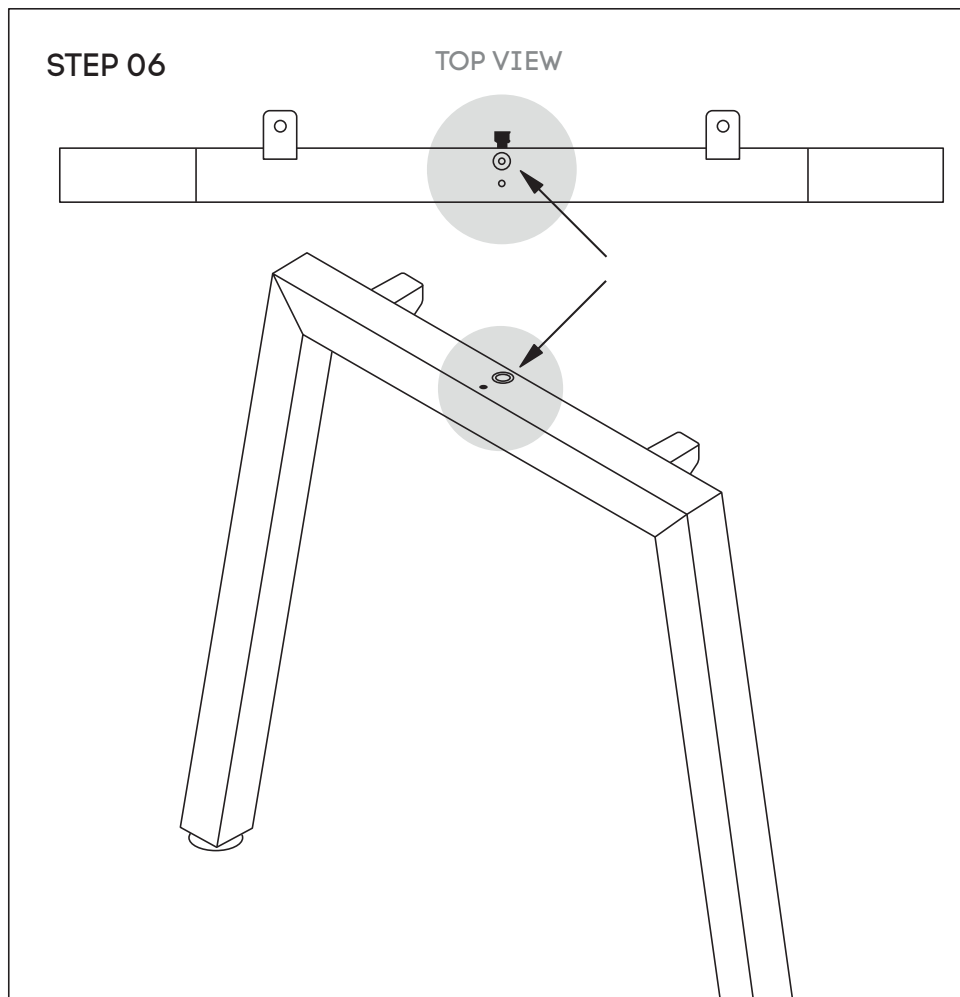


Using Allen Key provided, attach M8x20MM Socket head **(F)**- screw socket half way into leg for both legs **(B)**

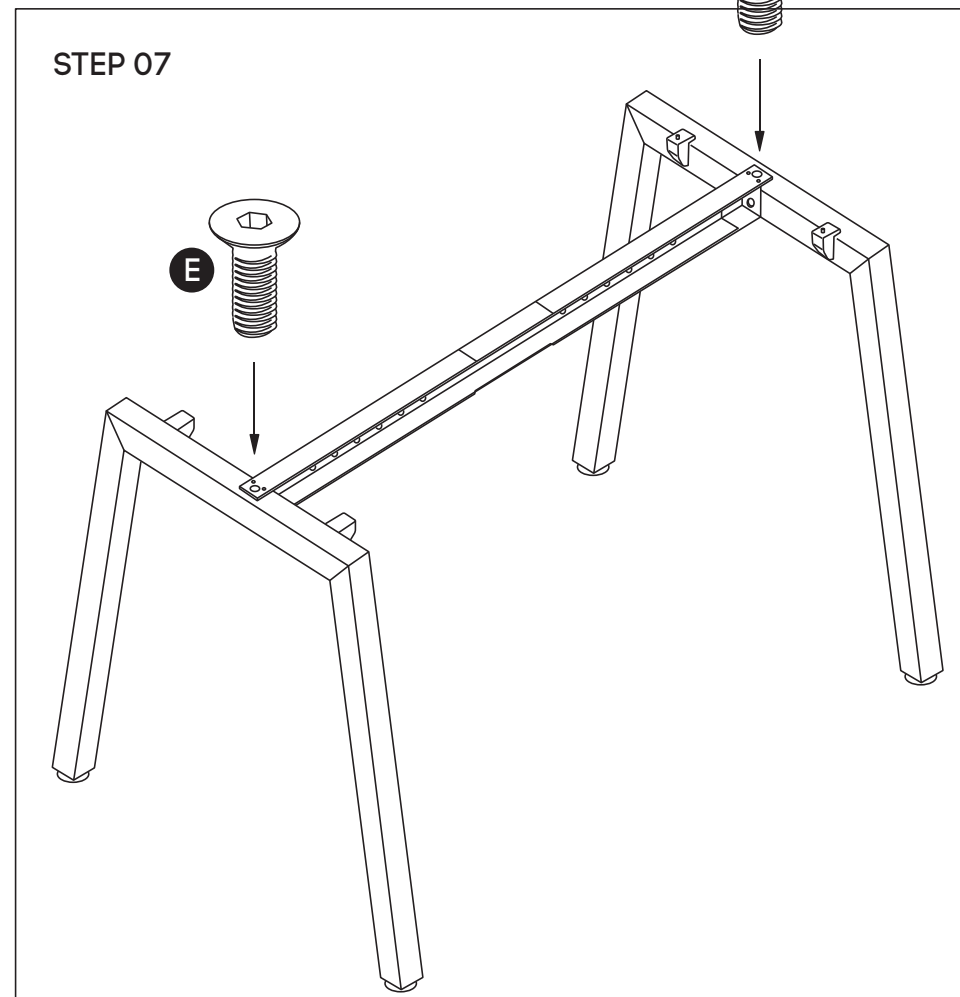


Use fixed beam **(C)** and secure beam using screws provided to suit desk

# Quadro Wood Desk



Attach beam **(C)** to legs **(B)** using nut insert in legs.  
See point attached



Frame looks like this. Using Allen Key, attach beam **(C)** with Socket **(E)**

**Need help!**

Call us on **1300 527 665**

# Quadro Wood Desk

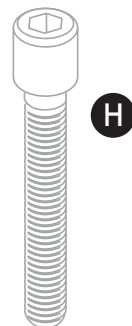
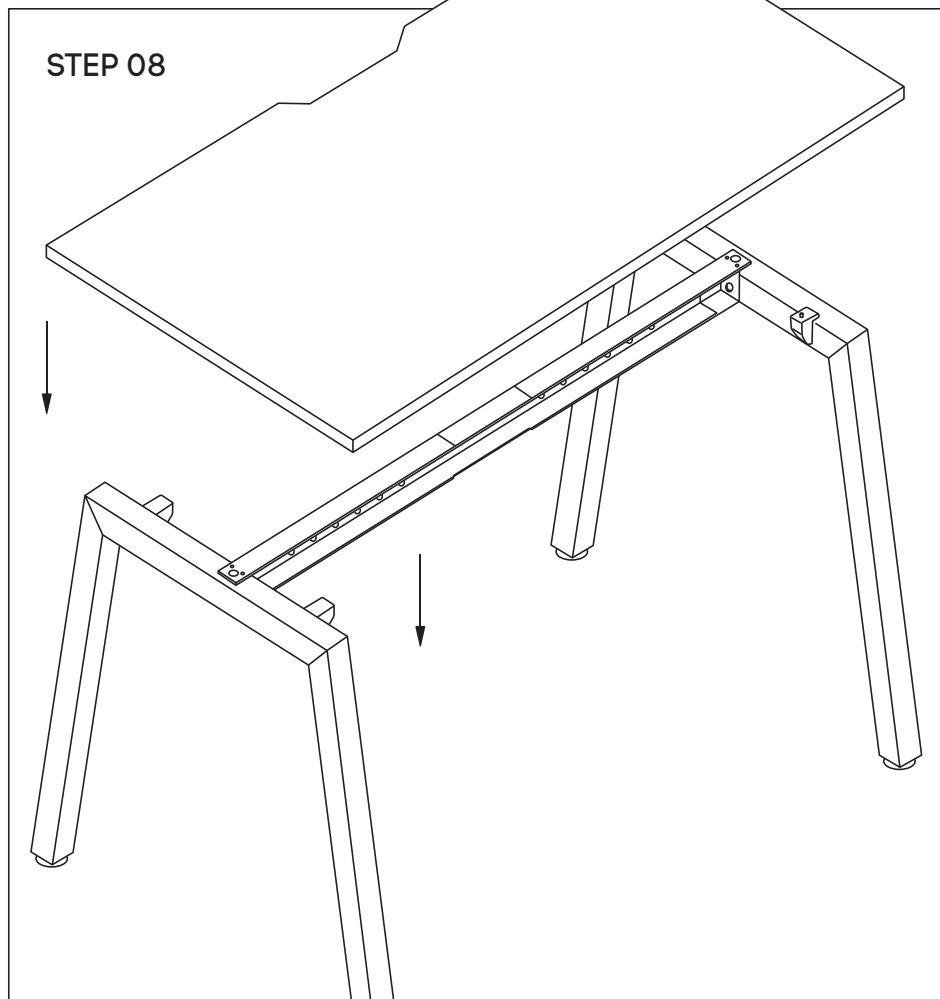


TABLE TOP  
BOTTOM VIEW



Place desktop on top of frame - with cutout at the back of the desk. Nut inserts in top will align with plastic joiner brackets using M6x30MM (H) sockets attached top to frame.