

ASSEMBLY INSTRUCTIONS
Quadro Wood A desk

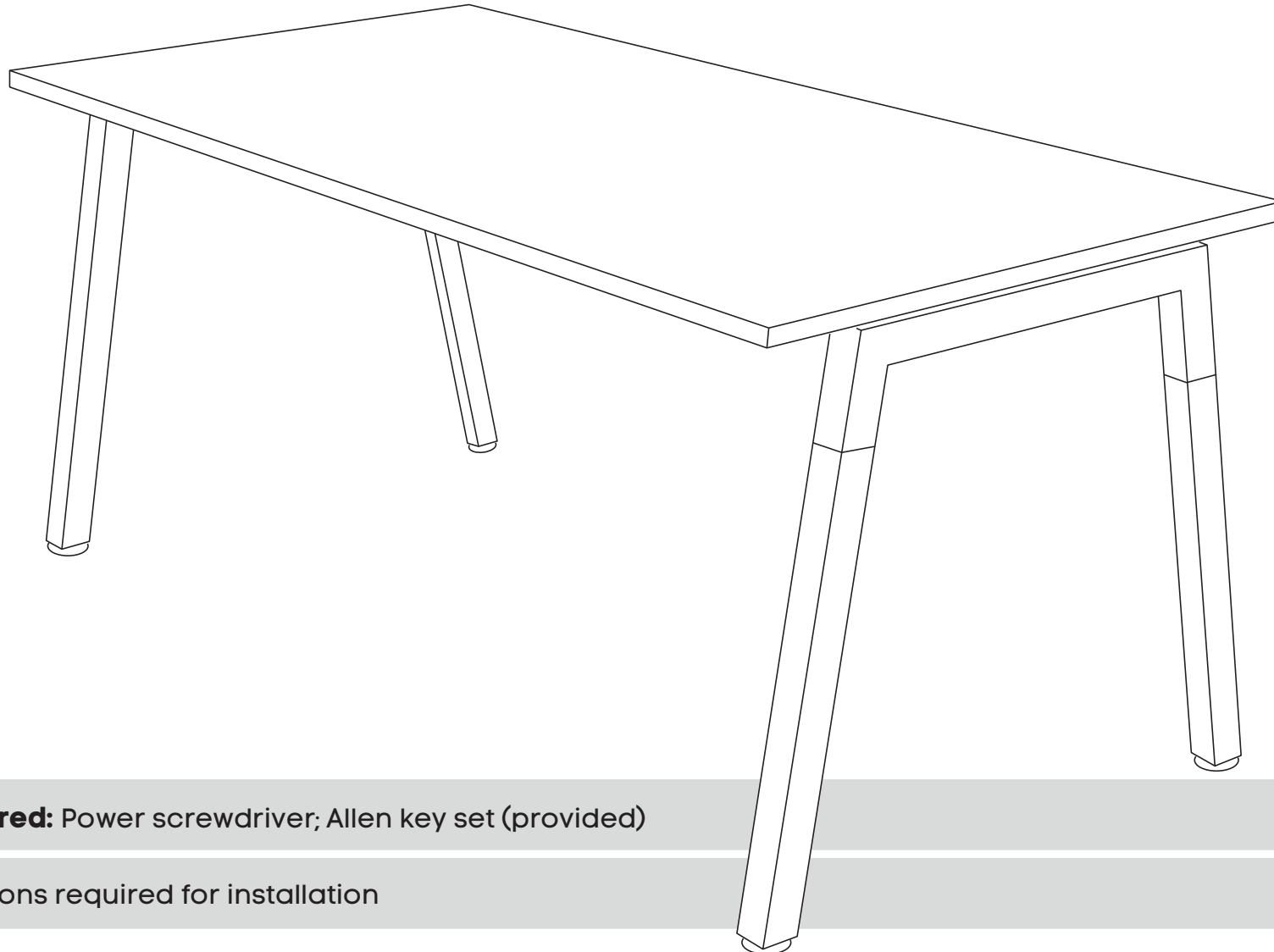
Size: 1000L x 600W mm

www.jasonl.com.au


Need help!

Call us on
1300 527 665

jason.l
your office furniture mate



Tools Required: Power screwdriver; Allen key set (provided)

 2 persons required for installation

ASSEMBLY INSTRUCTIONS

Quadro Wood A desk

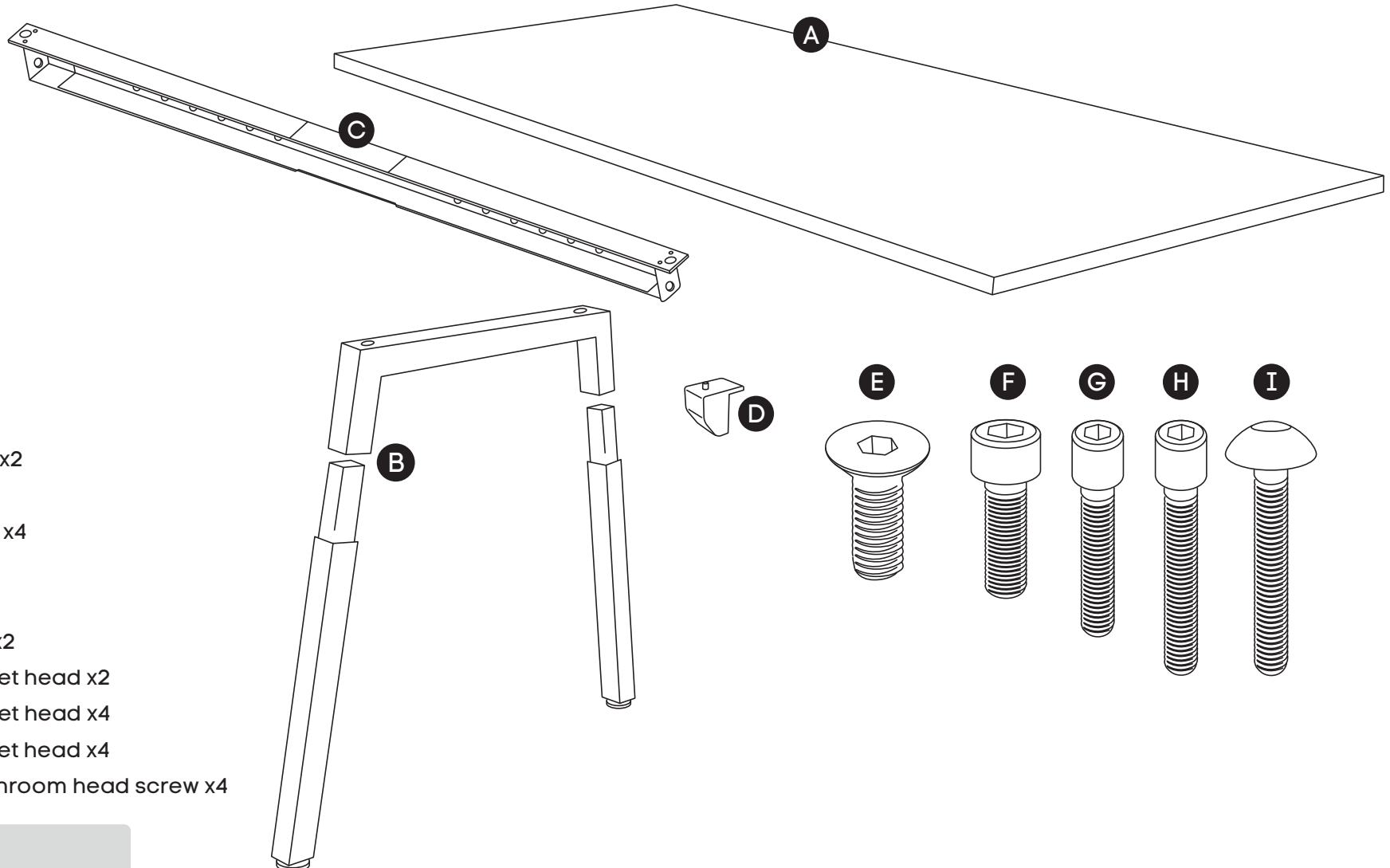
Size: 1000L x 600W mm

www.jasonl.com.au

Need help!

Call us on
1300 527 665

jason.l
your office furniture mate



COMPONENTS

- A Table top x1
- B Legs Quadro A x2
- C Beam x1 *
- D Plastic bracket x4

SCREWS

- E M8x20MM CSK x2
- F M8x20MM Socket head x2
- G M6x20MM Socket head x4
- H M6x30MM Socket head x4
- I M6x30mm Mushroom head screw x4

J Allen key x2

* Colour of the beam is always black, regardless desk frame colour.

ASSEMBLY INSTRUCTIONS

Quadro Wood A desk

Size: 1000L x 600W mm

www.jasonl.com.au

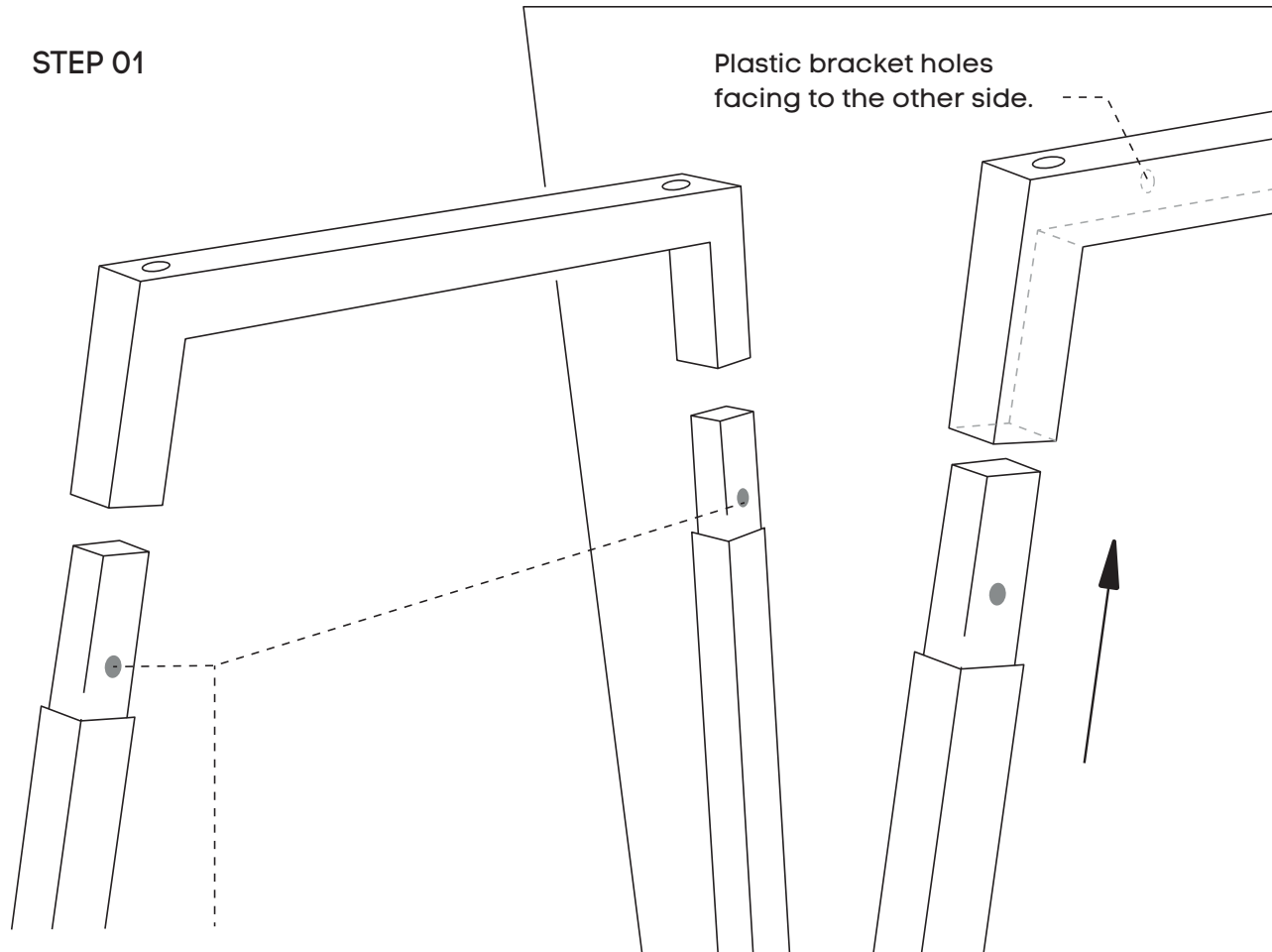
Need help!

Call us on
1300 527 665

jason.l
your office furniture mate



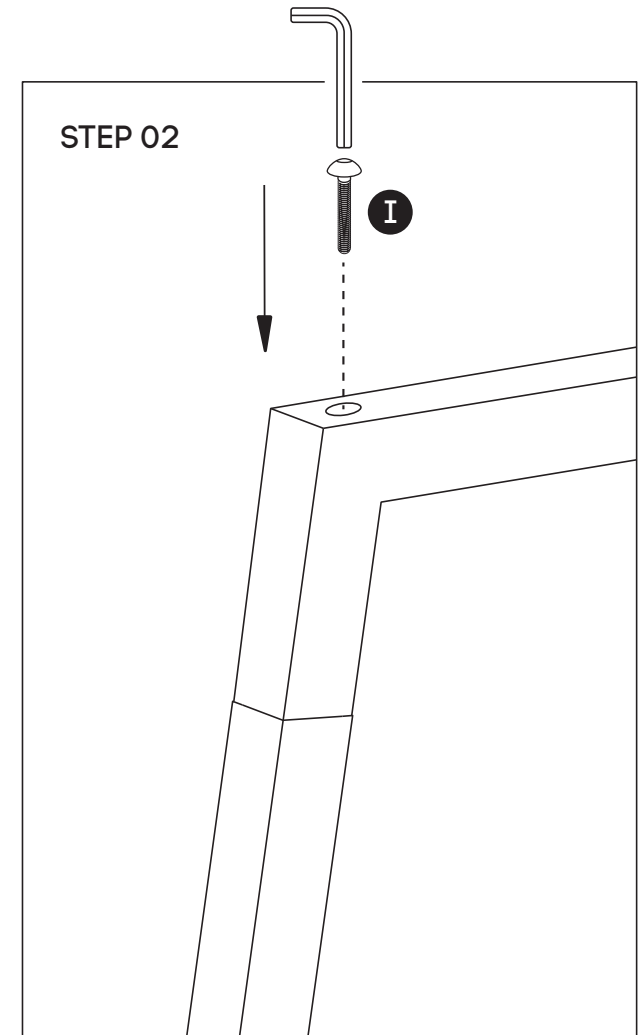
STEP 01



You will notice two colored stickers located on each leg.

Both legs must have the colour sticker facing away from where the plastic brackets are inserted.

STEP 02



Insert the bottom of the legs as shown in the illustration. Using Allen Key provided, attach Mushroom Head Screw (I) - for all legs.

ASSEMBLY INSTRUCTIONS

Quadro Wood A desk

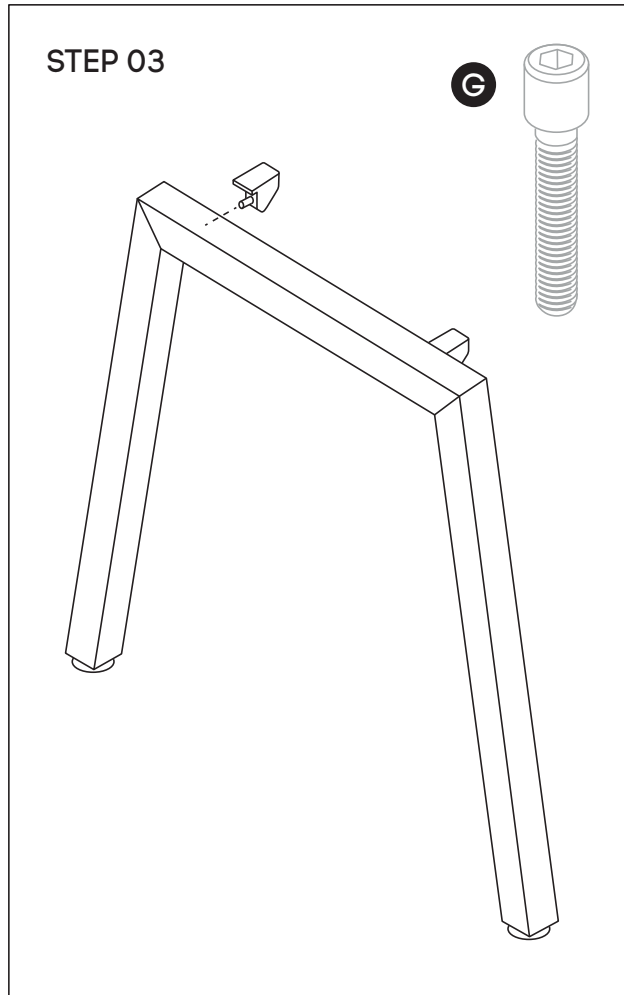
Size: 1000L x 600W mm

www.jasonl.com.au

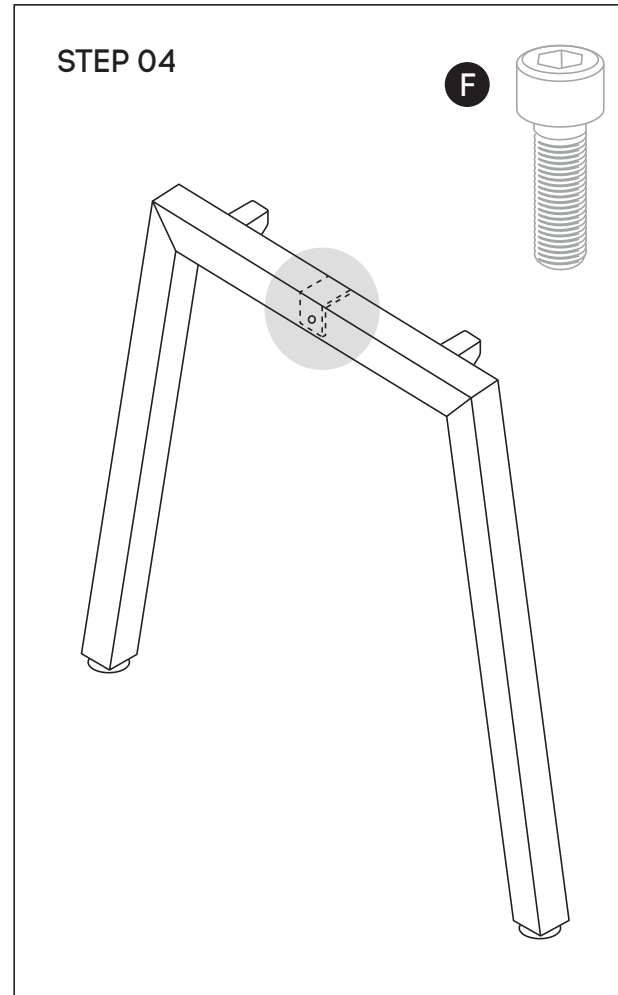
Need help!

Call us on
1300 527 665

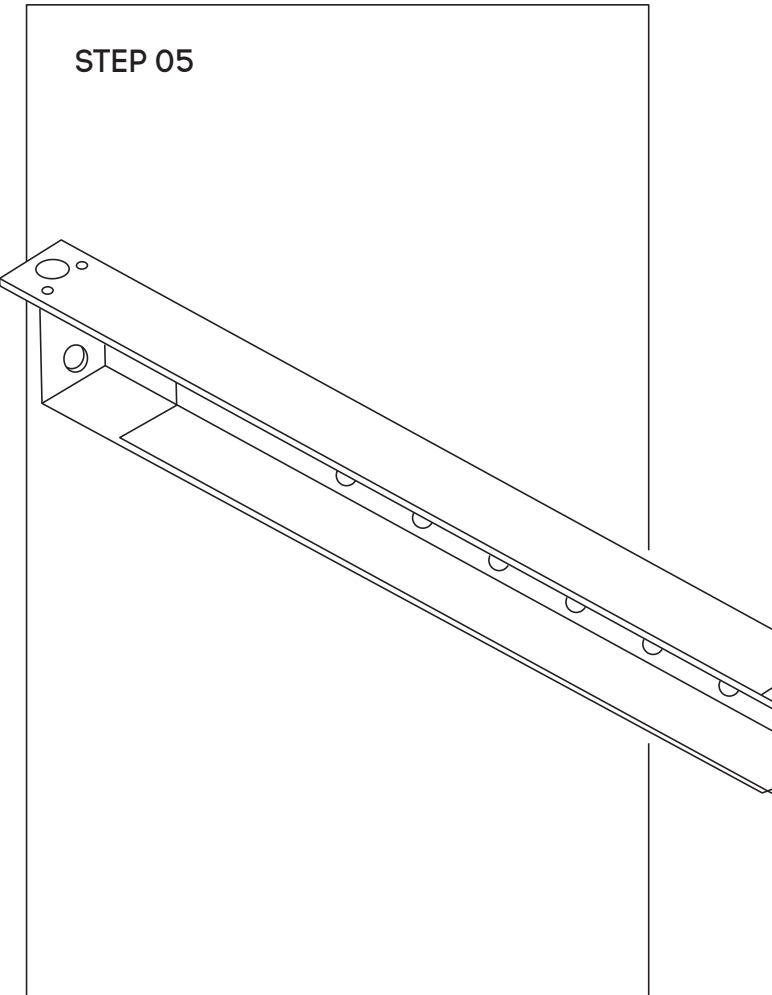
jason.l
your office furniture mate



Using Allen Key provided, attach 2 plastic brackets per leg **(D)** (as per picture above) using M6x20MM **(G)** Socket head screw



Using Allen Key provided, attach M8x20MM Socket head **(F)**- screw socket half way into leg for both legs **(B)**



Use fixed beam **(C)** 1000mm and secure beam using screws provided to suit 1000mm desk

ASSEMBLY INSTRUCTIONS

Quadro Wood A desk

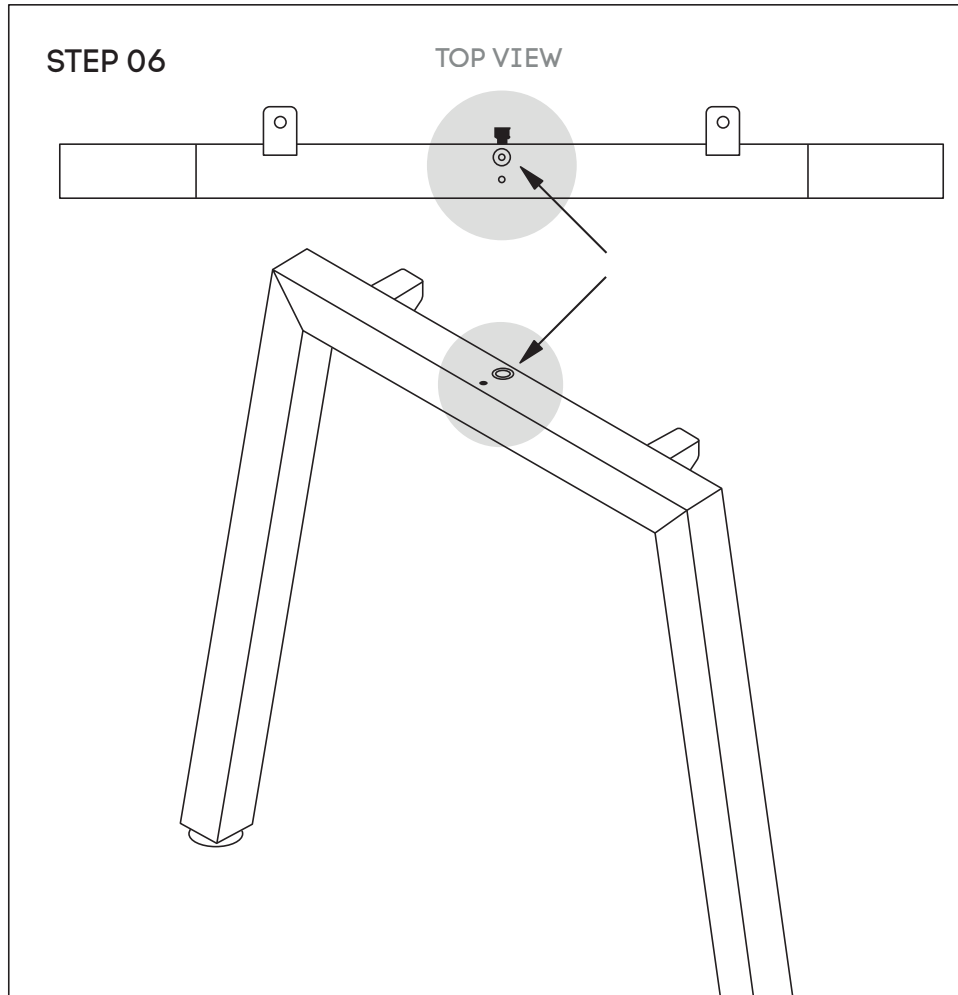
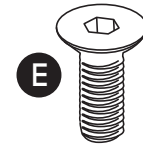
Size: 1000L x 600W mm

www.jasonl.com.au

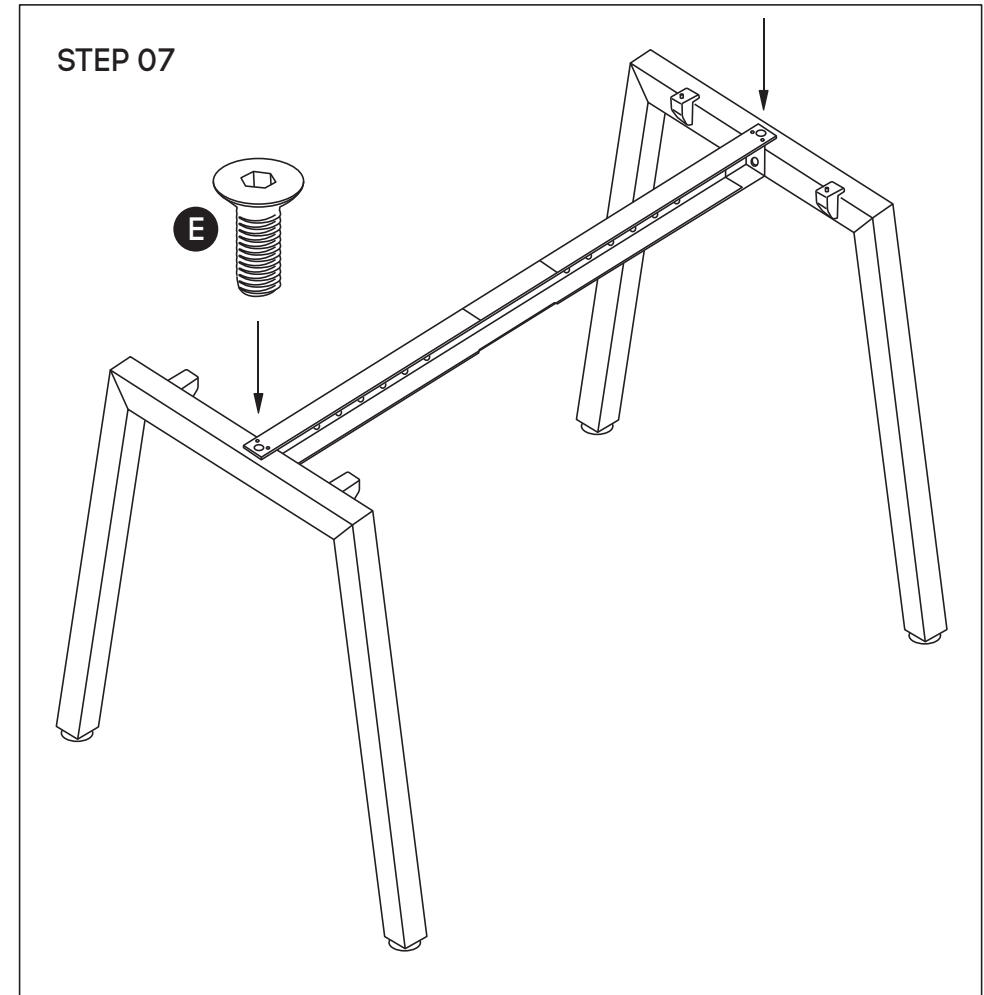
Need help!

Call us on
1300 527 665

jason.l
your office furniture mate



Attach beam **(C)** to legs **(B)** using nut insert in legs
See point attached



Frame looks like this. Using Allen Key, attach beam **(C)** with Socket **(E)**

ASSEMBLY INSTRUCTIONS

Quadro Wood A desk

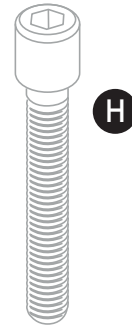
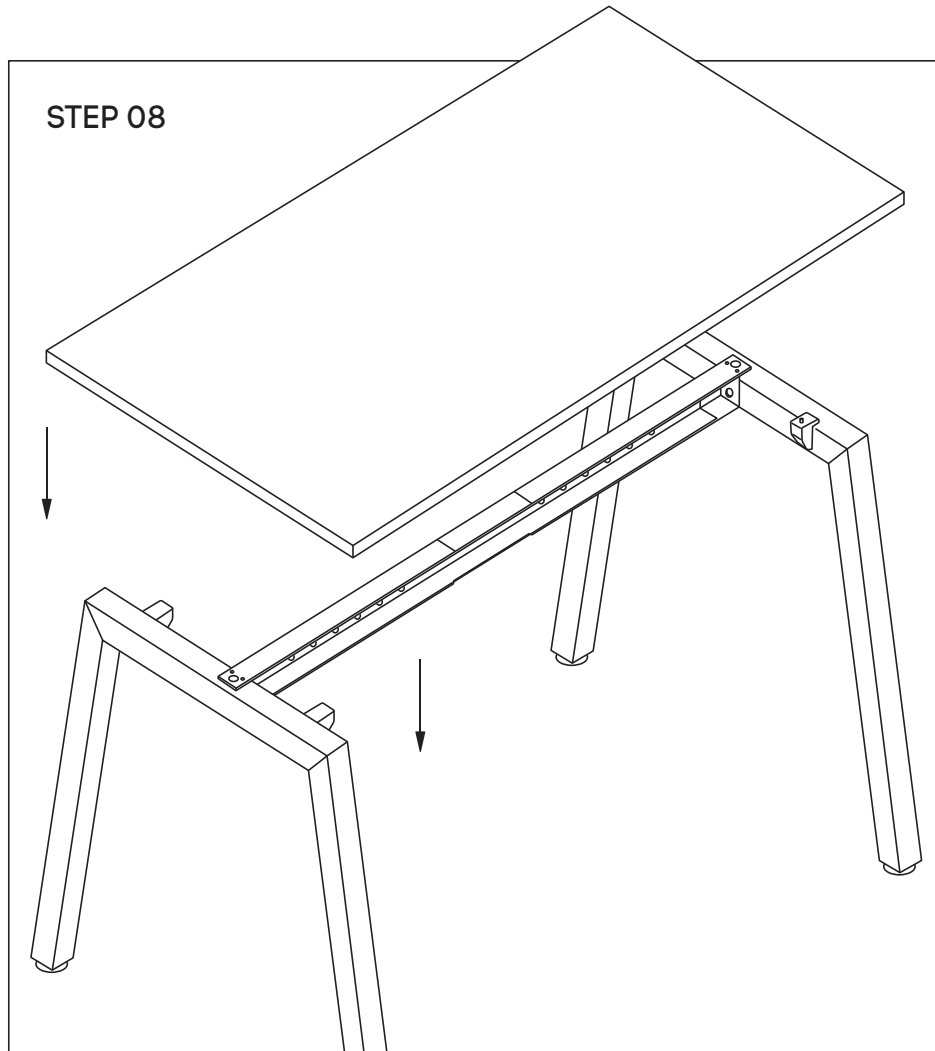
Size: 1000L x 600W mm

www.jasonl.com.au

Need help!

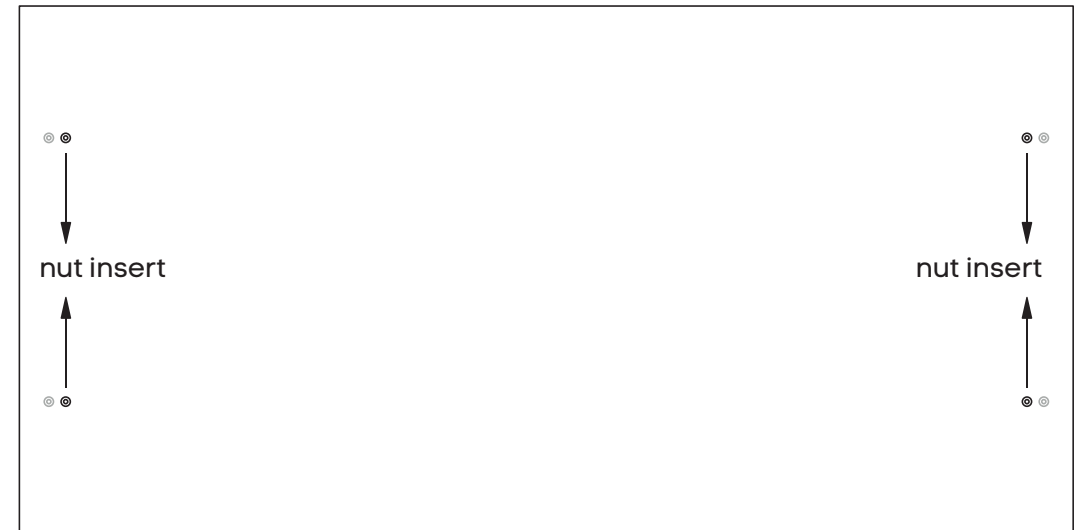
Call us on
1300 527 665

jason.l
your office furniture mate



H

TABLE TOP
BOTTOM VIEW



Place desktop on top of frame. Nut inserts in top will align with plastic joiner brackets using M6x30MM (H) sockets attached top to frame.