

Quadro A Leg Counter Table

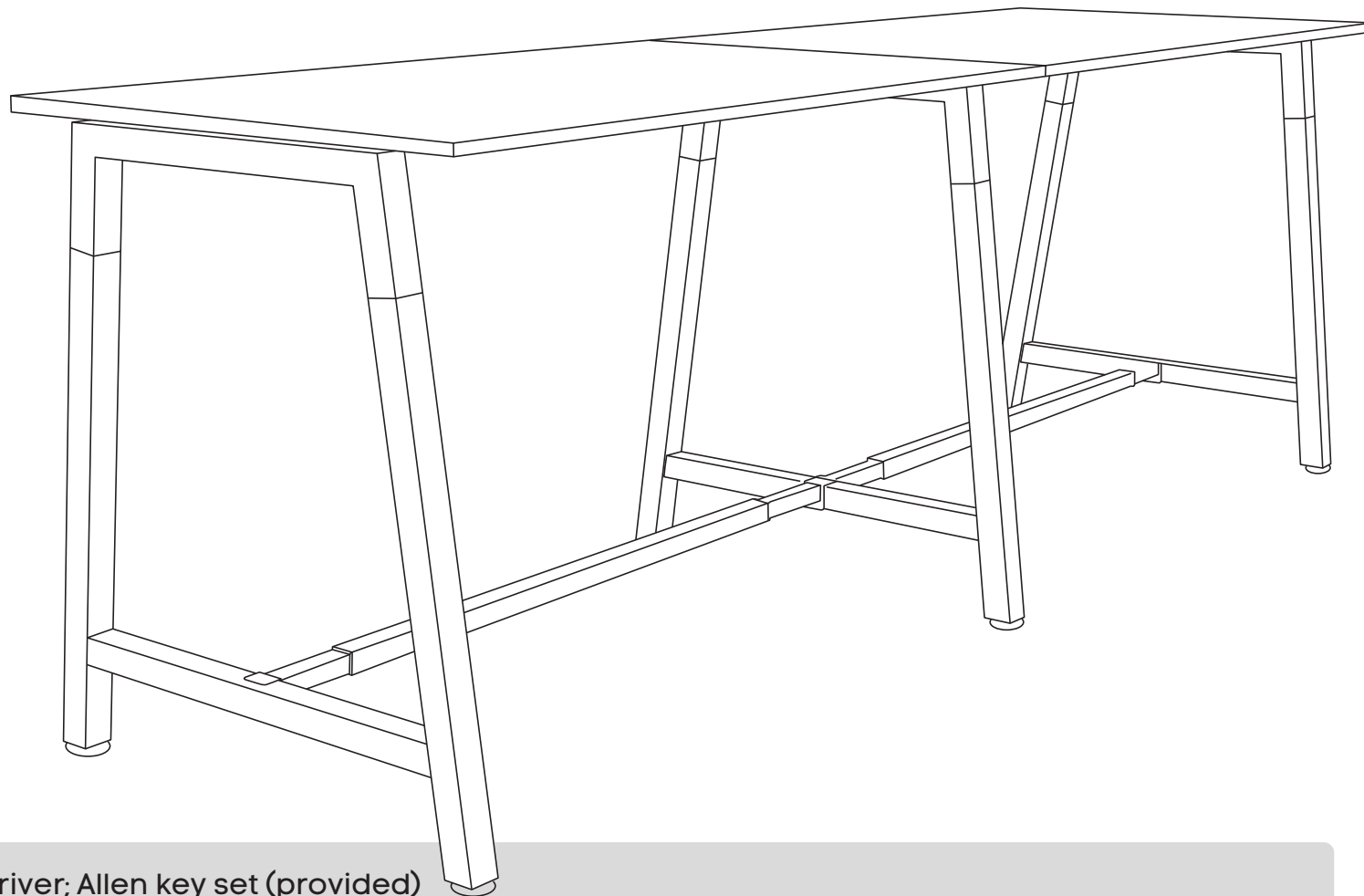
Sizes:

2400L x 700D mm


2800L x 700D mm

3200L x 700D mm

3600L x 700D mm



Tools Required: Power screwdriver; Allen key set (provided)

 2 persons required for installation

Need help!

Call us on **1300 527 665**

Quadro A Leg Counter Table

COMPONENTS

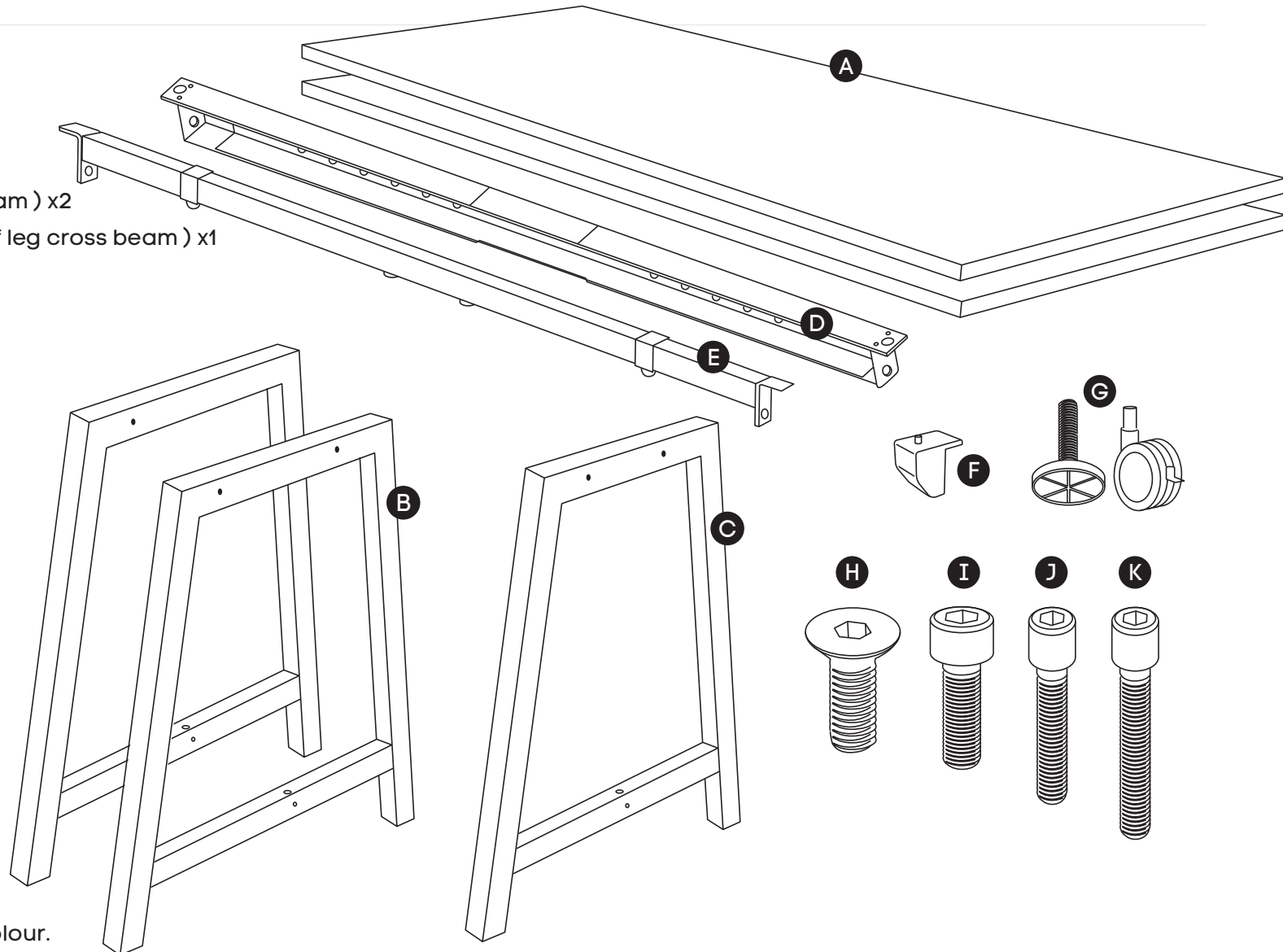
- A Table top x2
- B Leg Quadro A (Half leg cross beam) x2
- C Intermediate Leg Quadro A (Half leg cross beam) x1
- D Leg wood add on x6
- E Leg bottom beam x3
- F Upper beam x2 *
- G Lower beam x2
- H Plastic bracket x8
- I Feets or Wheels x6 **

SCREWS

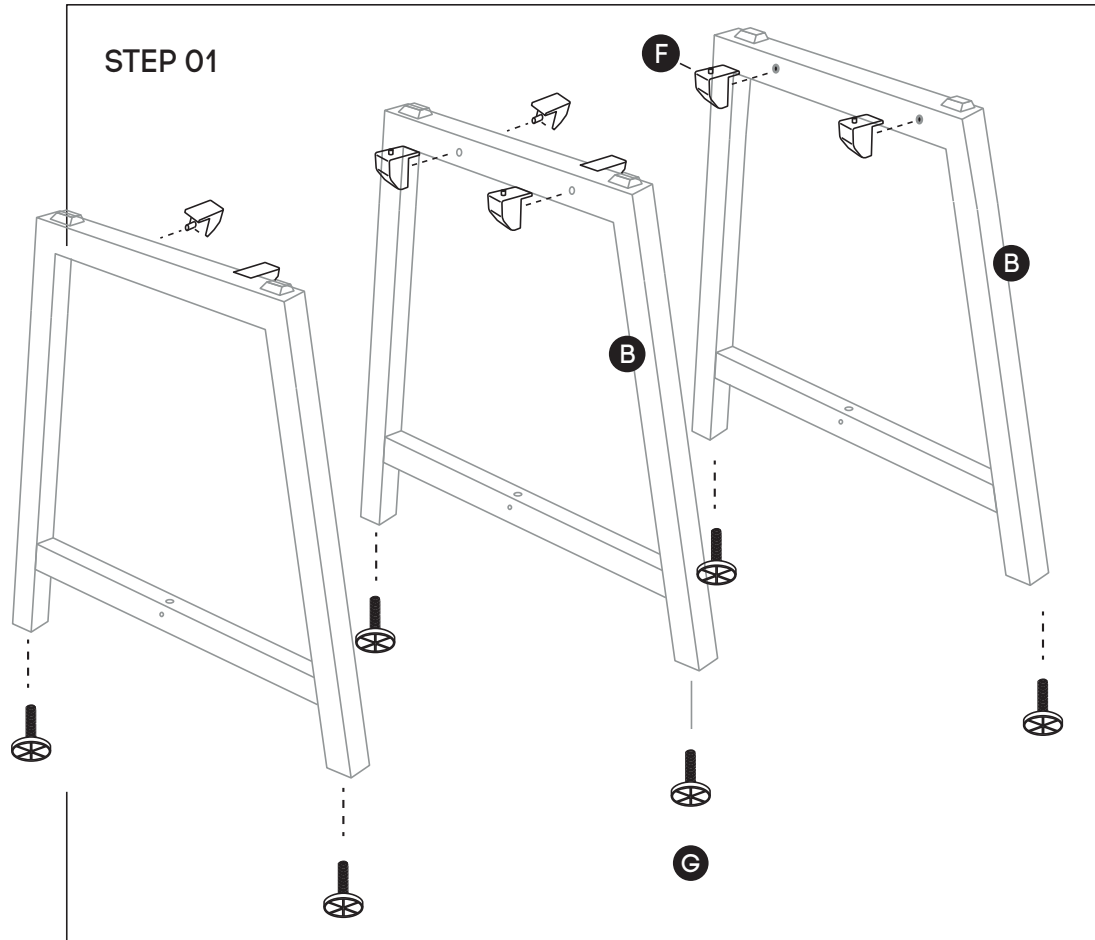
- J M8x20MM CSK x12
- K M8x20MM socket head x4
- L M6x20MM socket head x8
- M M6x30MM socket head x8
- N Pins x4
- O Corner pads x6
- P Mushroom head M6x30 x6

Q Allen key x2

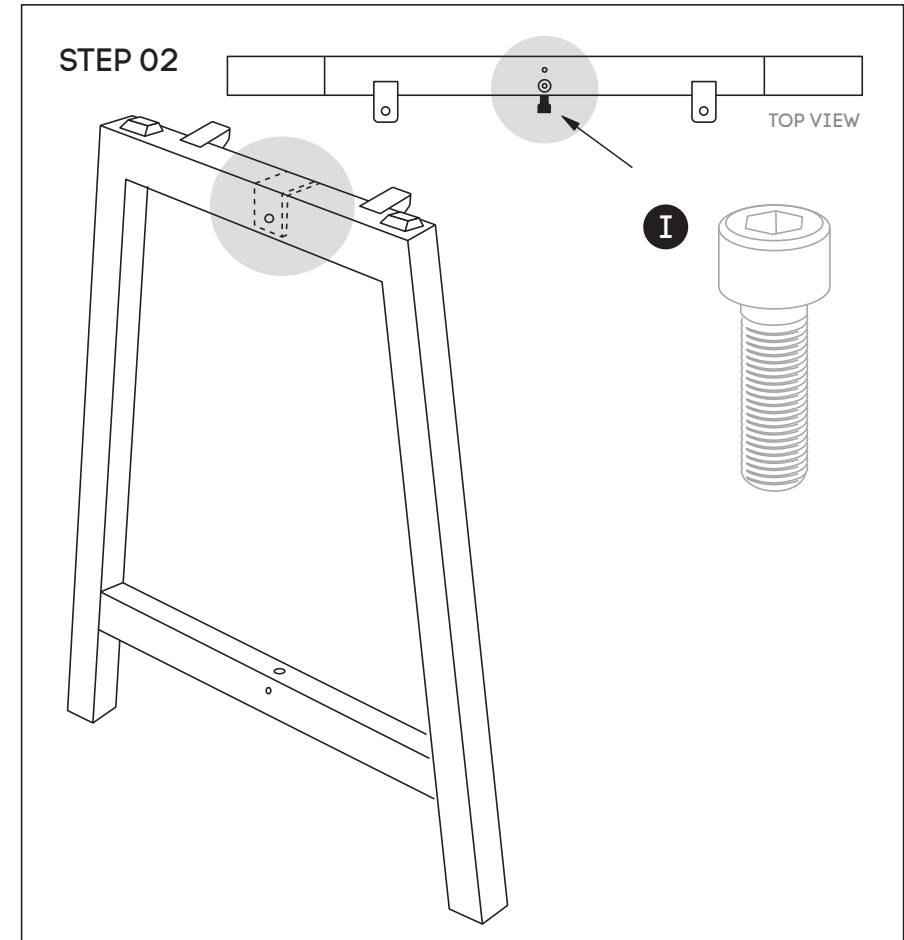
* Colour of the beam is always black, regardless desk frame colour.



Quadro A Leg Counter Table



Using Allen Key provided, attach 2 plastic brackets (F) per exterior leg (B) (as per picture above) using M6x20MM (J) Socket head screw. Attach 4 plastic brackets (F) to the Intermediate leg (C) using M6x20MM (J). Screw the feet or wheels (if you purchase with wheels option) (G) to the bottom of each Leg.



Using Allen Key provided, attach M8x20MM Socket head (I)-screw socket half way into legs.

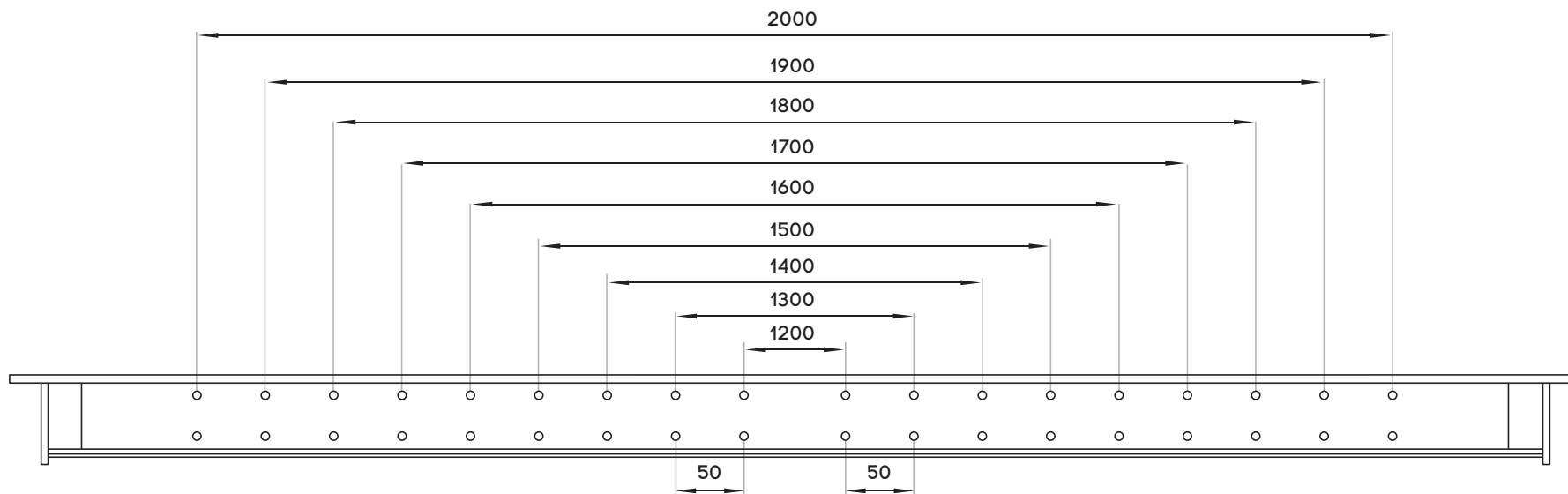
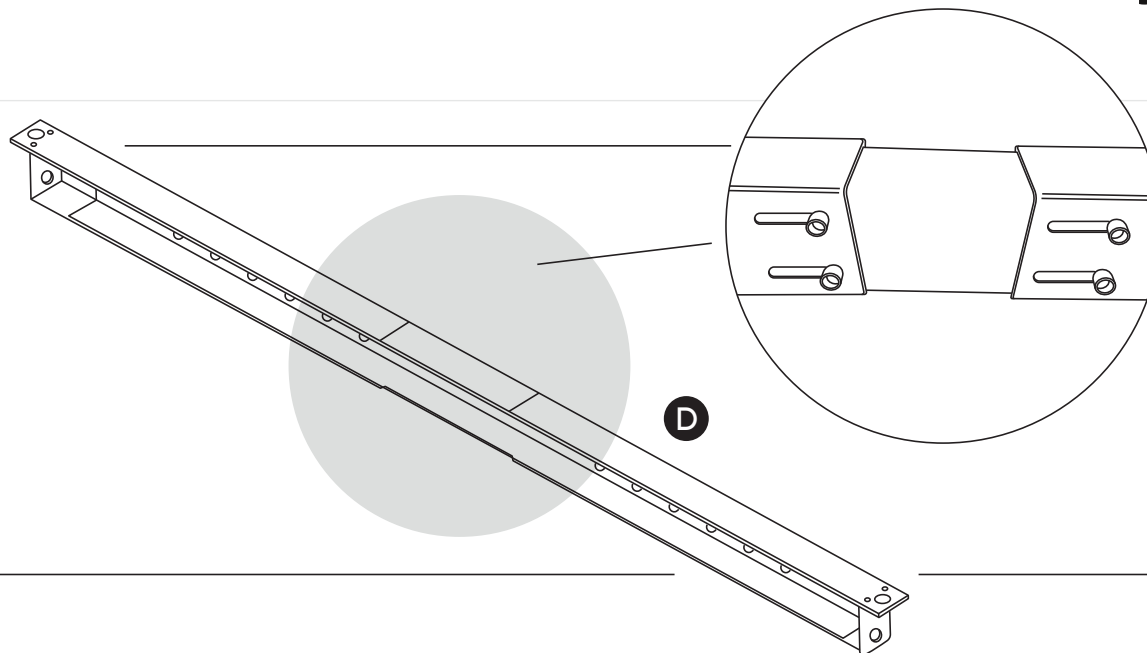
Need help!

Call us on **1300 527 665**

Quadro A Leg Counter Table

STEP 03

Adjust extendable beams **(D)** to desired length using markers and secure beams at that length using screws provided.

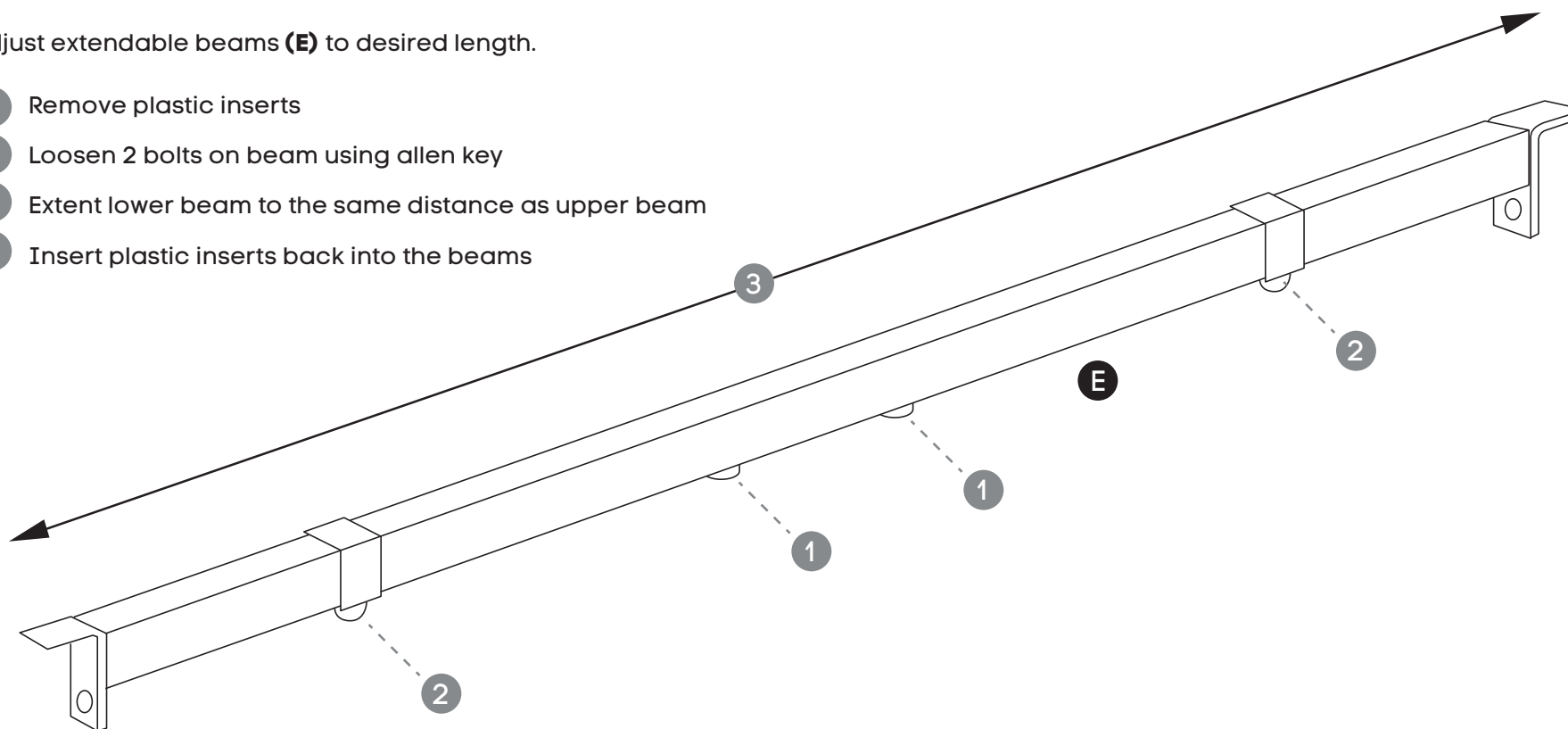


Quadro A Leg Counter Table

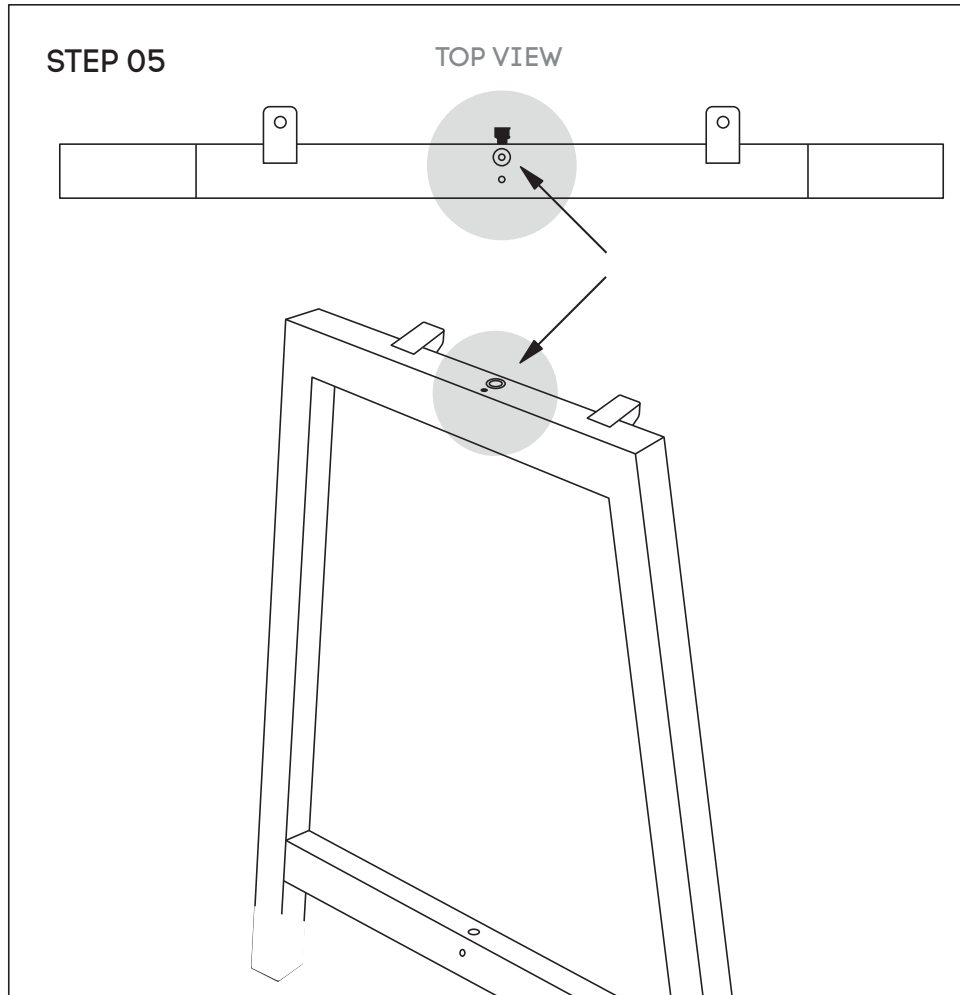
STEP 04

Adjust extendable beams (**E**) to desired length.

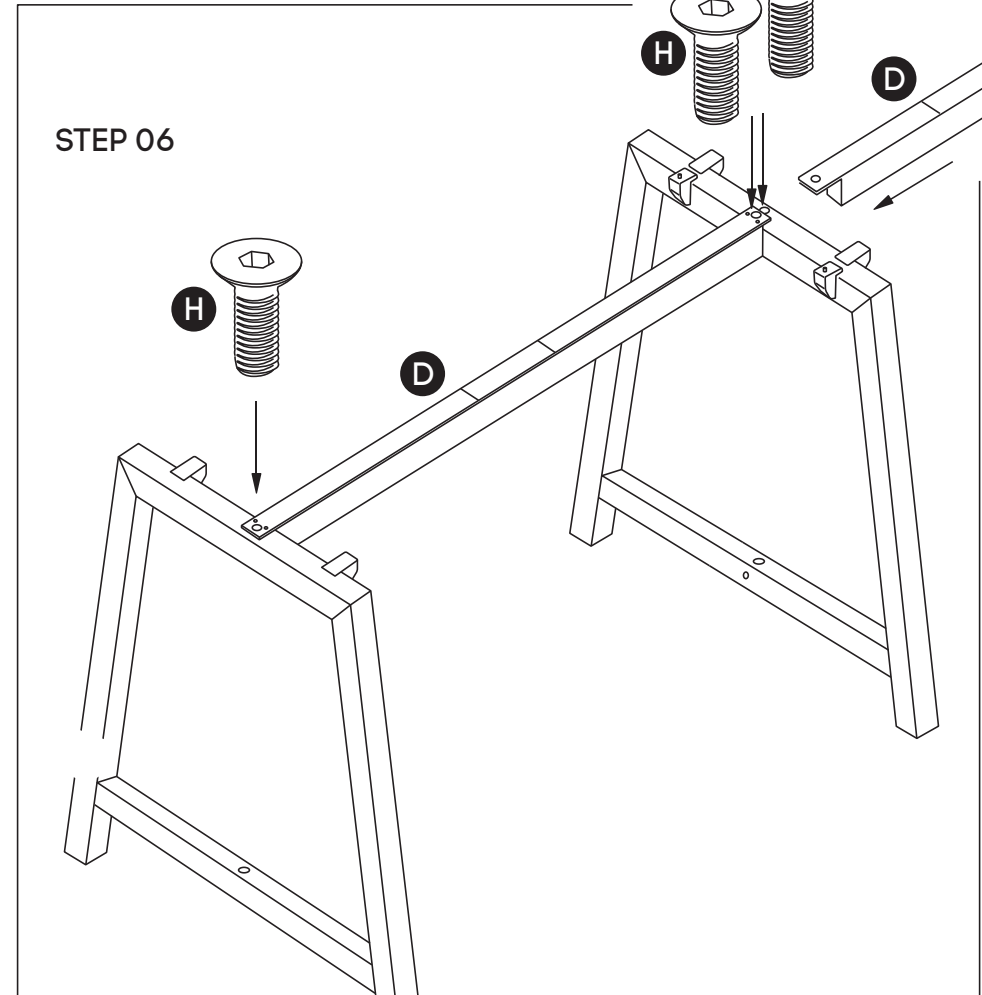
- 1 Remove plastic inserts
- 2 Loosen 2 bolts on beam using allen key
- 3 Extent lower beam to the same distance as upper beam
- 4 Insert plastic inserts back into the beams



Quadro A Leg Counter Table



Attach Upper Beams **(D)** to legs using nut insert.
See point attached



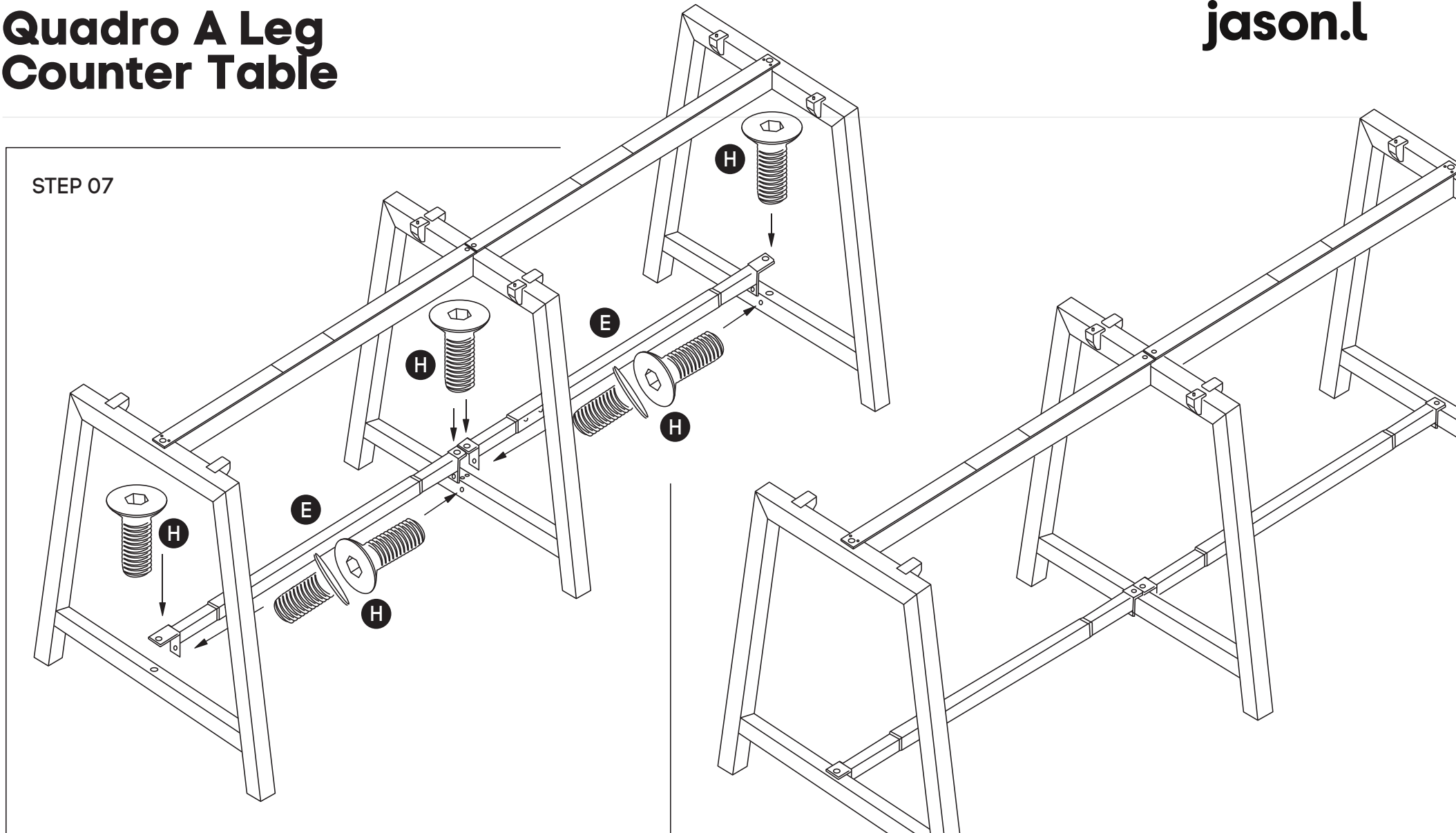
Frame looks like this. Using Allen Key, attach Upper Beams **(D)** with Sockets **(H)**.

Need help!

Call us on **1300 527 665**

Quadro A Leg Counter Table

STEP 07



Using Allen Key. Tighen Sockets **(H)** on the Lower Beam **(E)** using Allen Key **(L)**. Insert plastic spacers to improve rigidity. Attach two Sockets **(I)** to the side of the lower side beams (as shown in the picture).

Frame looks like this.

Need help!

Call us on **1300 527 665**

Quadro A Leg Counter Table

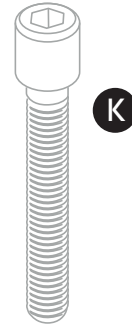
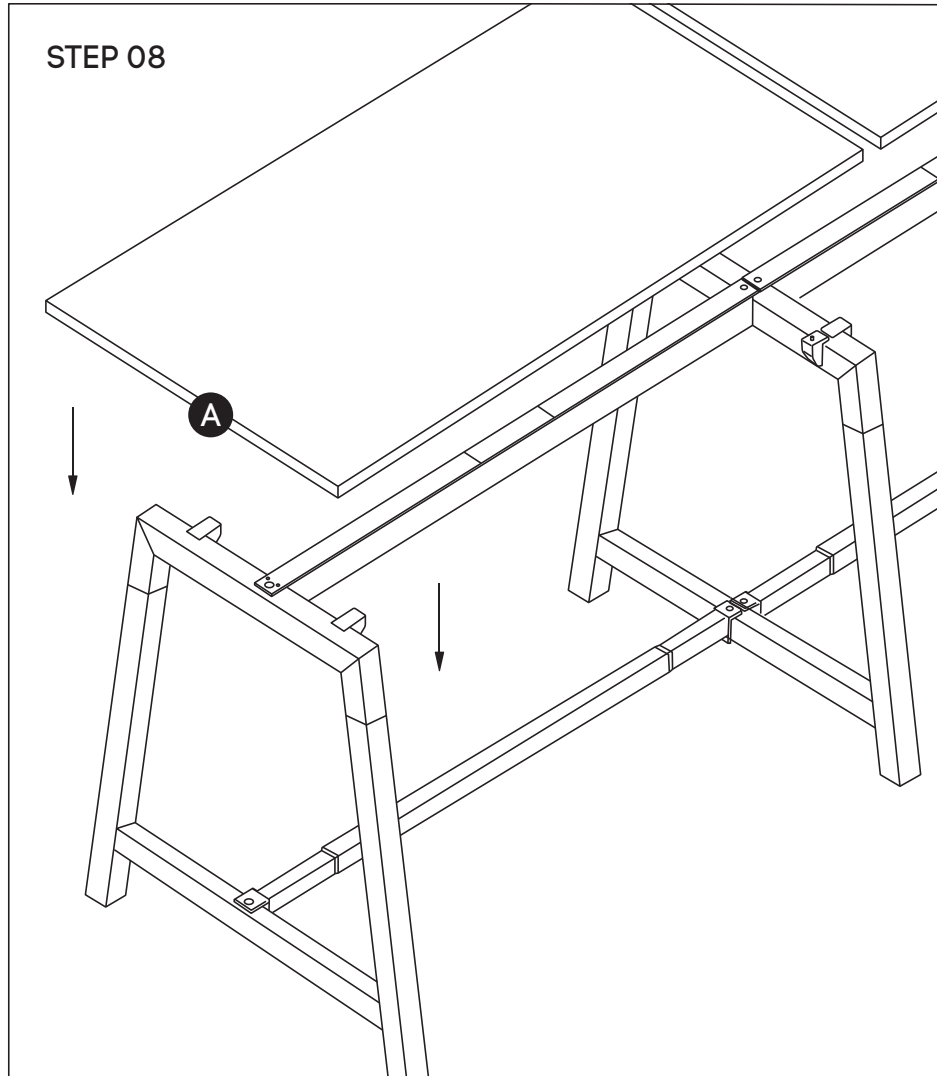
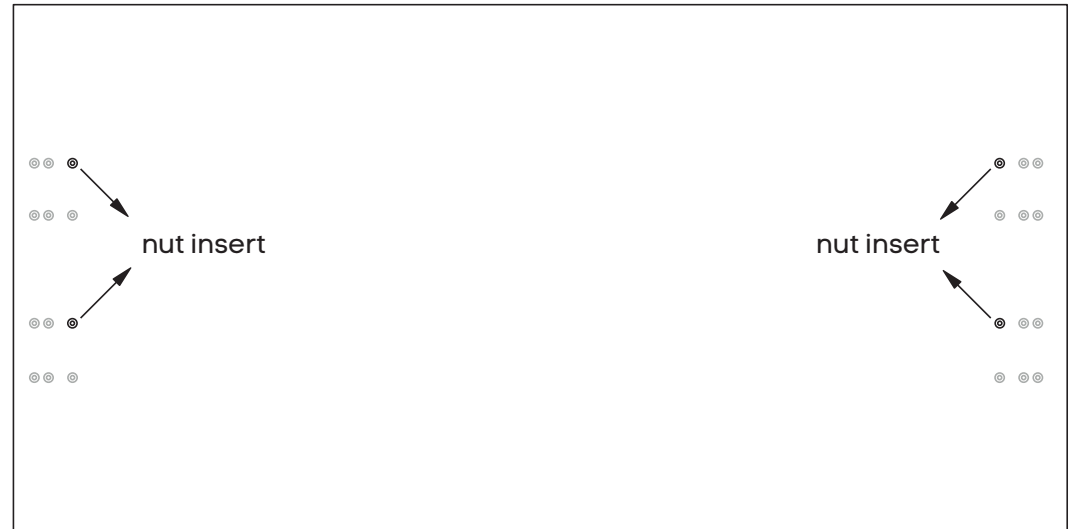
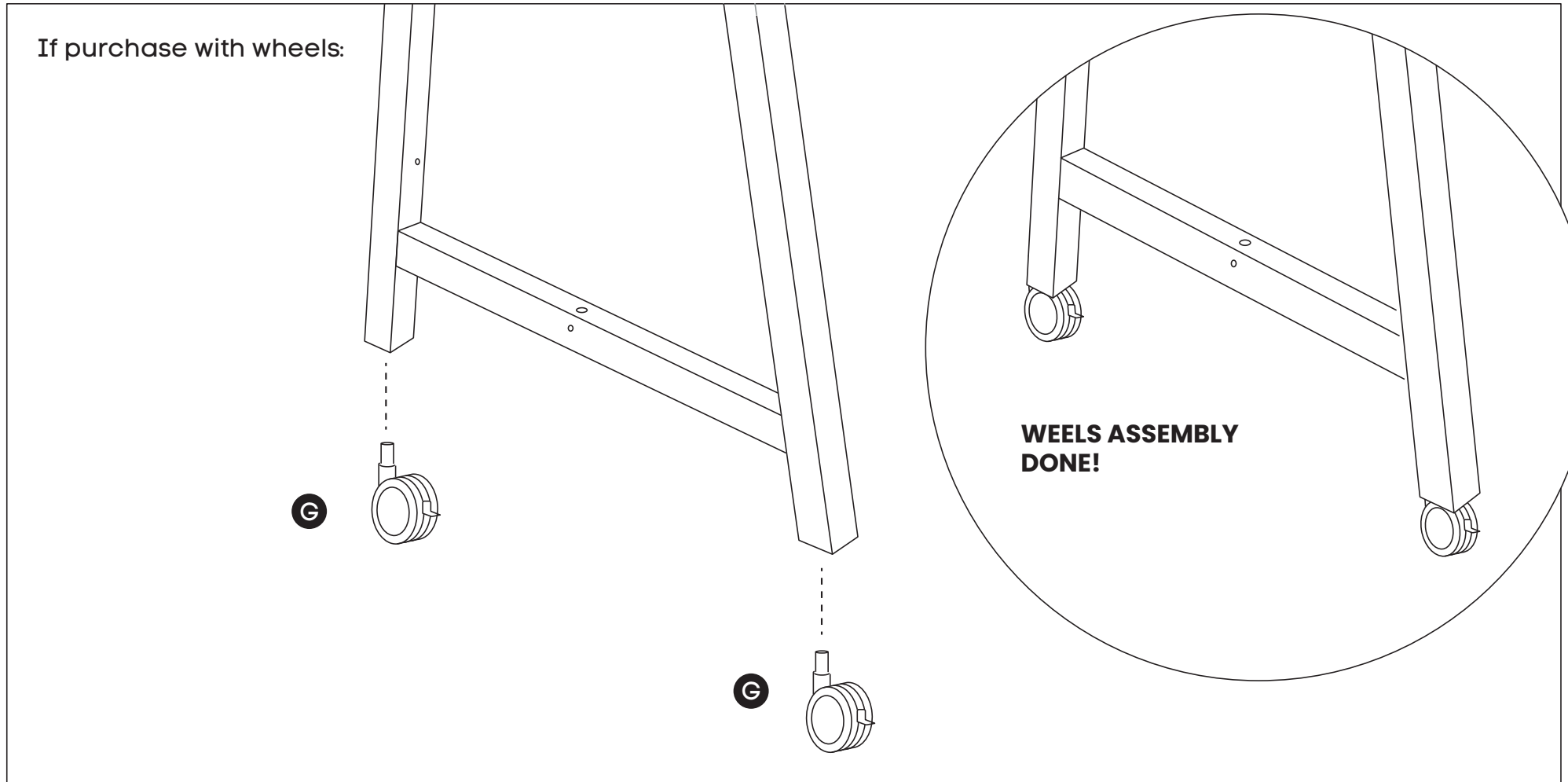


TABLE TOP
BOTTOM VIEW



Place desktops **(A)** ontop of frames. Nut inserts in top will align with plastic joiner brackets using M6x30MM **(K)** sockets attached tops to frames.

Quadro A Leg Counter Table



Replace Feet on the bottom of each leg with wheels **(G)**

Need help!

Call us on **1300 527 665**