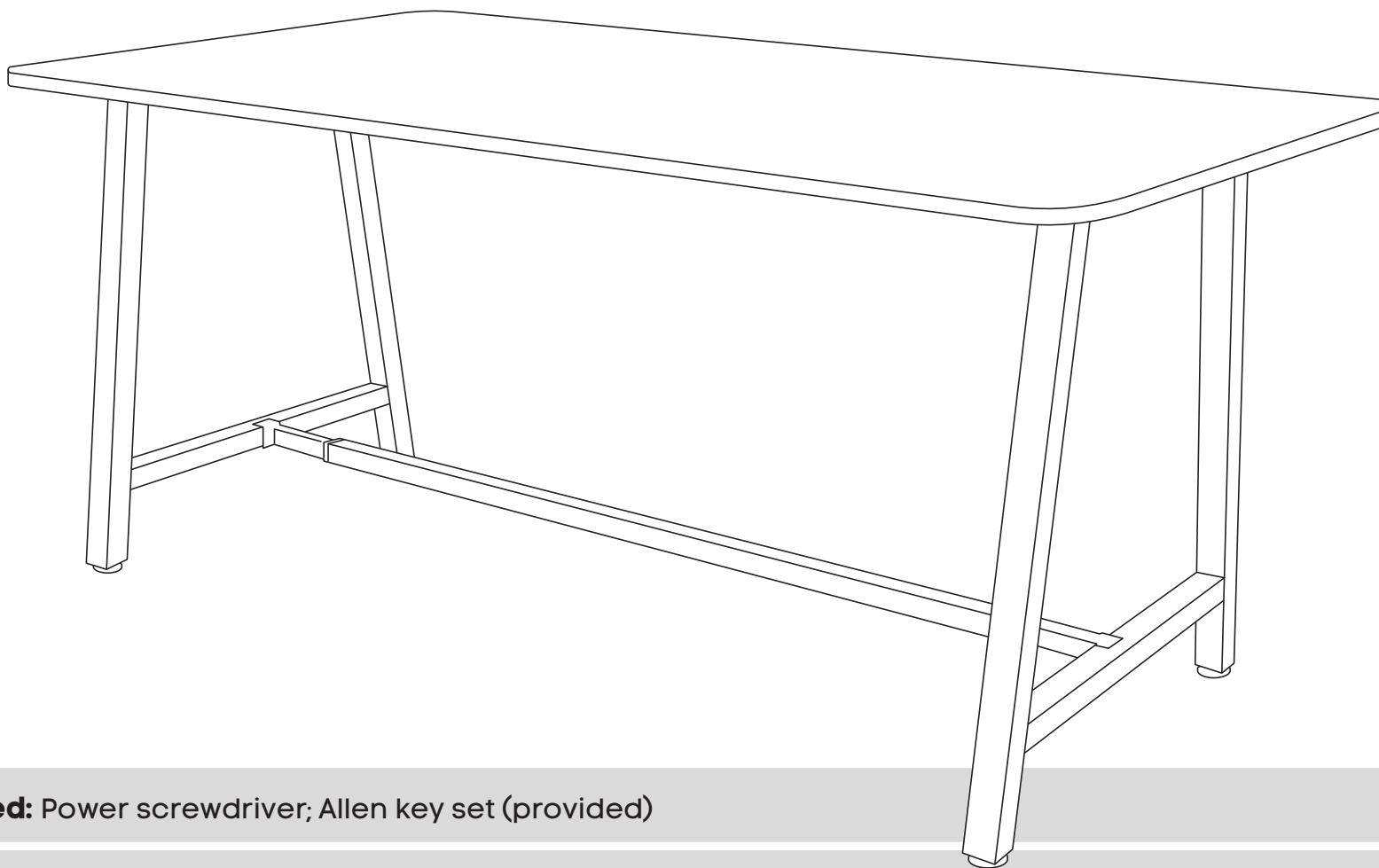



Quadro A Leg Radius Corners Counter Table



Size:
1800x1100

Tools Required: Power screwdriver; Allen key set (provided)

 2 persons required for installation

Need help!

Call us on **1300 527 665**

Quadro A Leg Radius Corners Counter Table

COMPONENTS

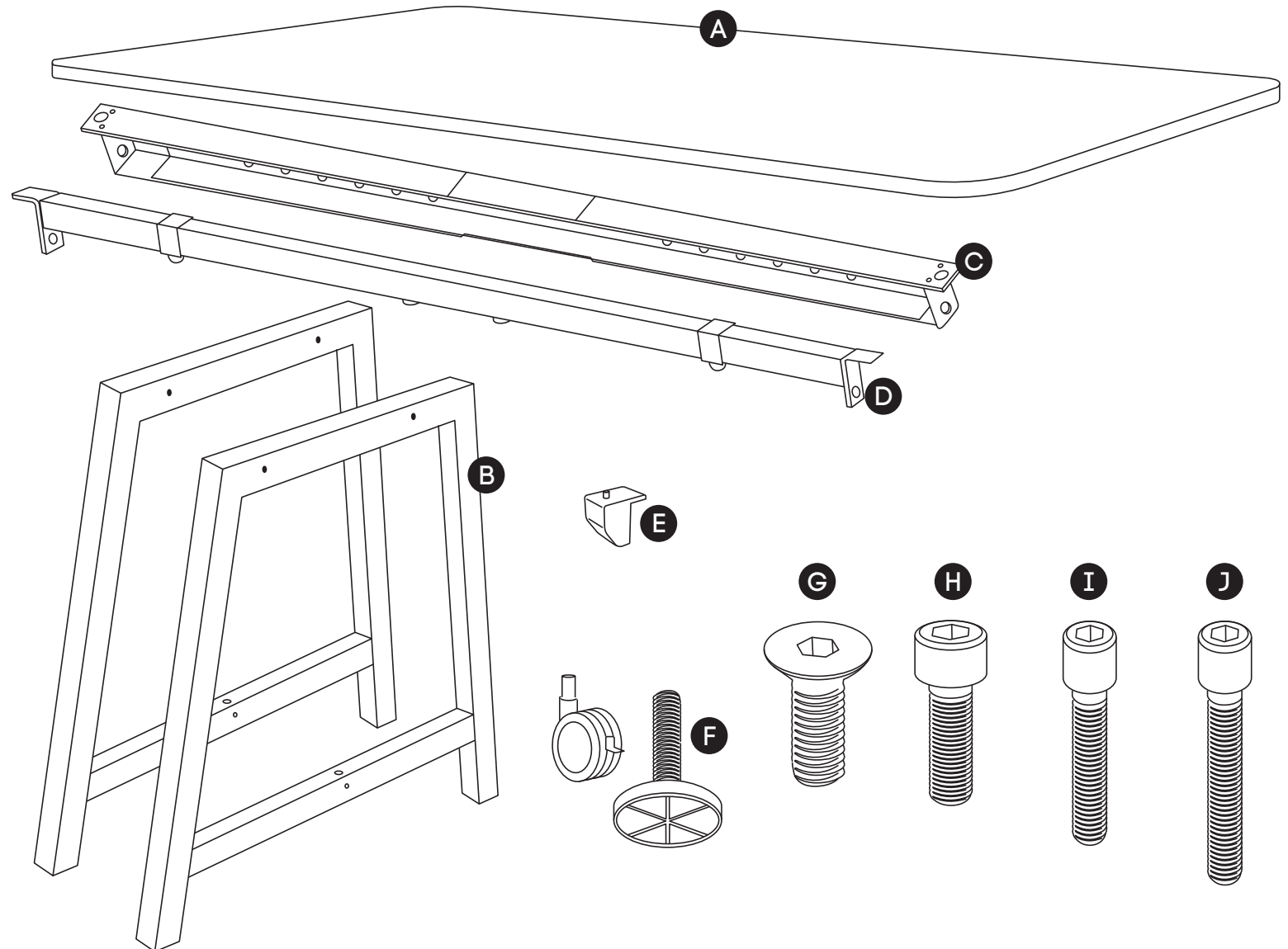
- A Table top x1
- B Leg Quadro A x2
- C Upper Beam x1 *
- D Lower Beam x1
- E Plastic bracket x4
- F Feet x4

SCREWS

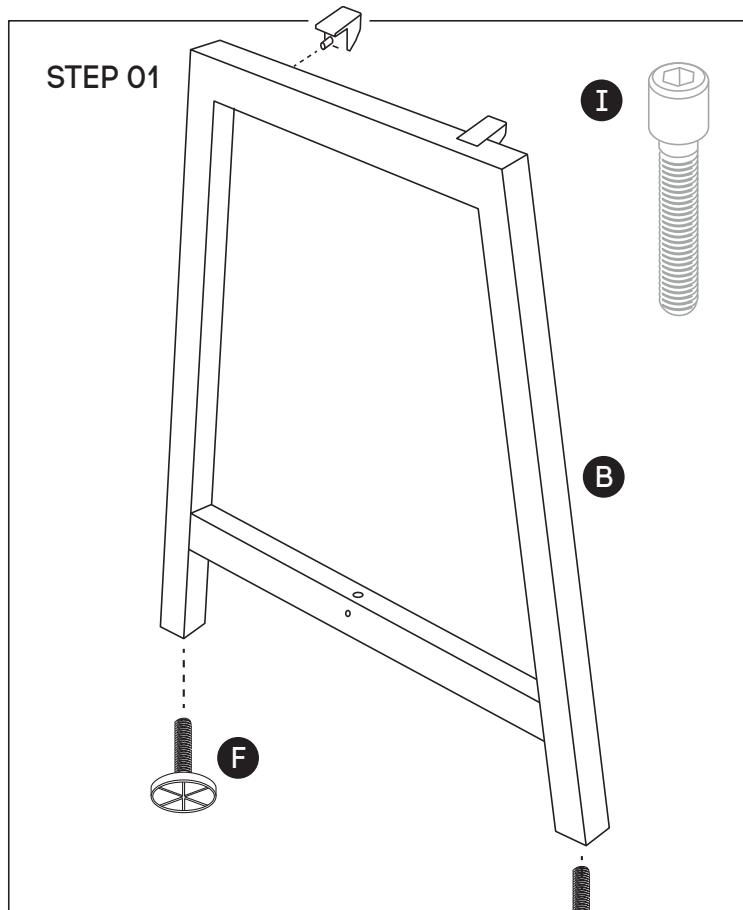
- G M8x20MM CSK x4
- H M8x20MM Socket head x4
- I M6x20MM Socket head x4
- J M6x30MM Socket head x4

- K Allen key x2

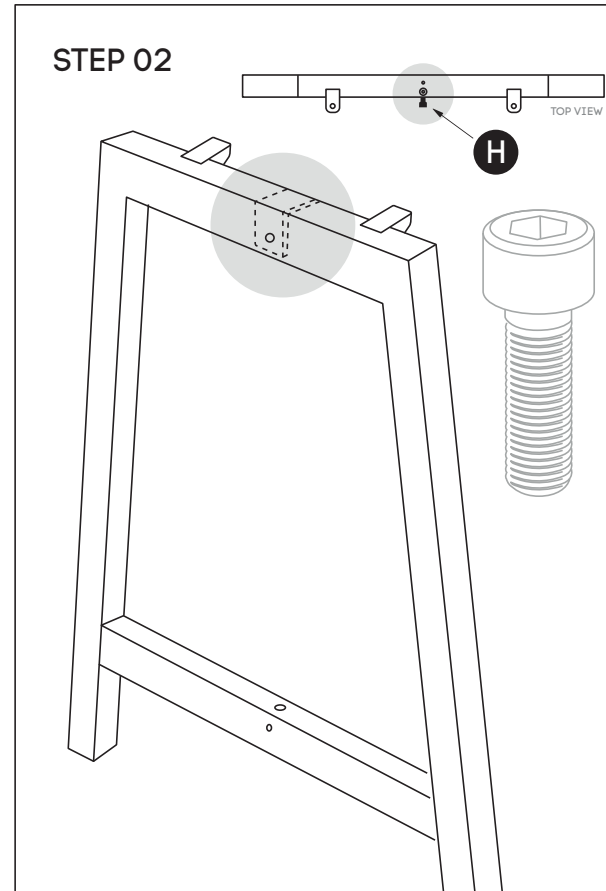
* Colour of the beam is always black, regardless desk frame colour.



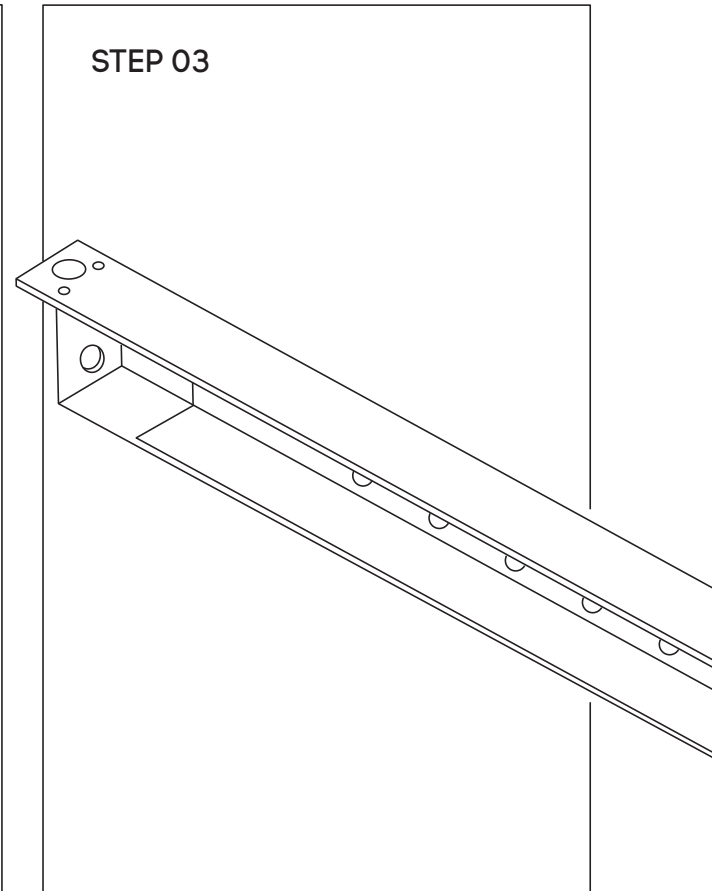
Quadro A Leg Radius Corners Counter Table



Using Allen Key provided, attach 2 plastic brackets per leg (D) (as per picture above) using M6x20MM (I) Socket head screw. Screw the feet (F) to the bottom of each leg (B)



Using Allen Key provided, attach M8x20MM Socket head (H)- screw socket half way into leg for both legs (B)

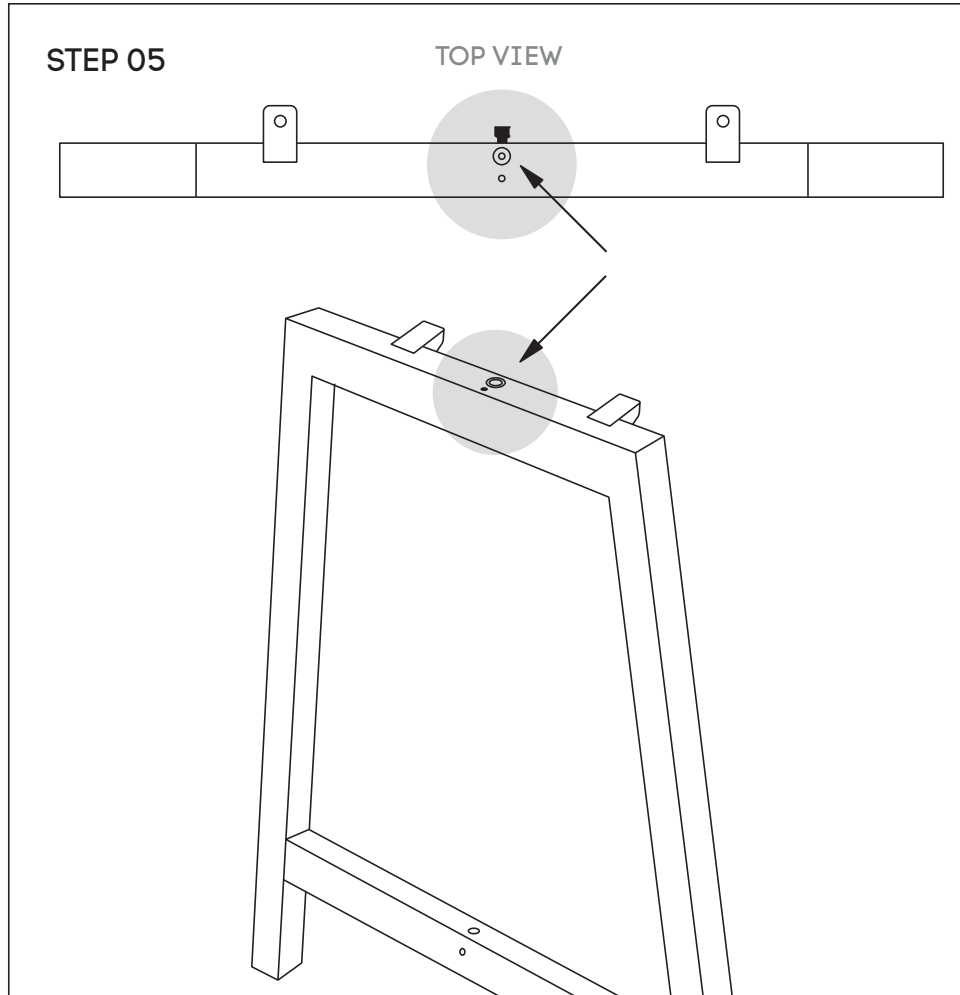


Use fixed beam (C) and secure beam using screws provided to suit desk

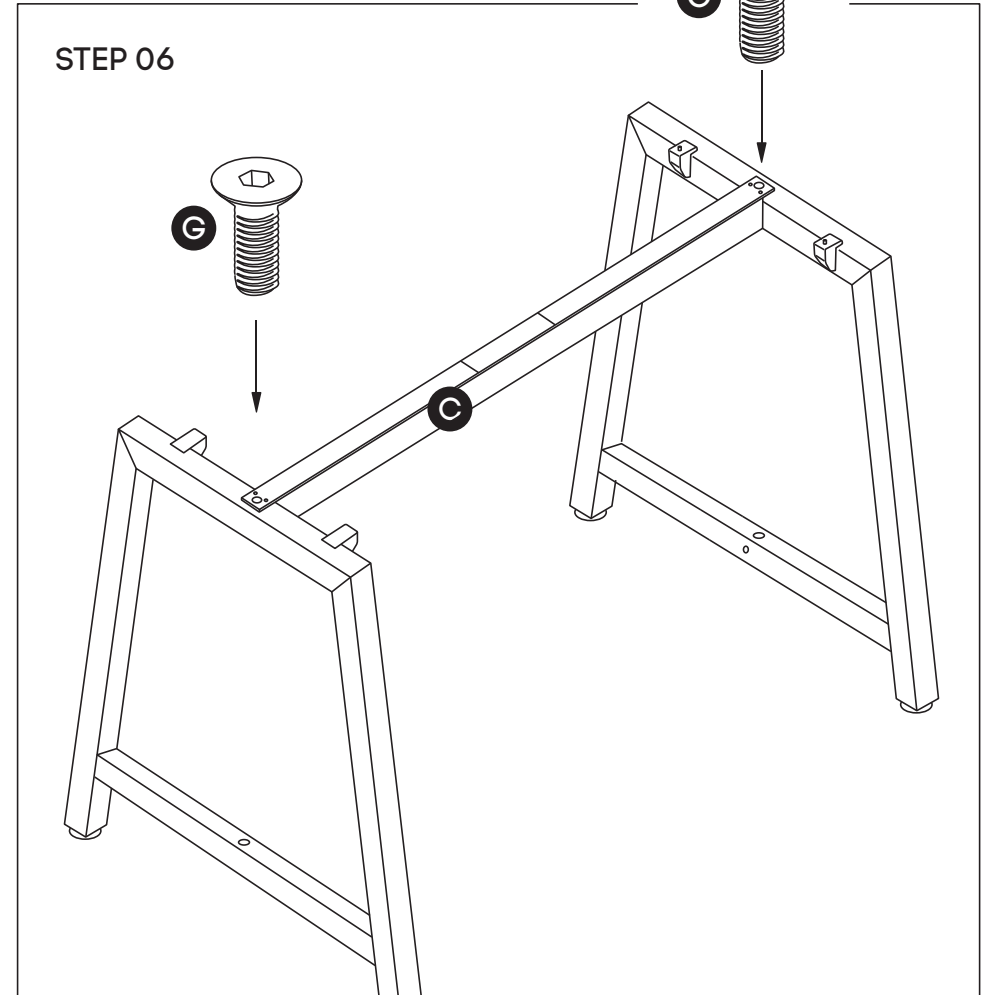
Need help!

Call us on **1300 527 665**

Quadro A Leg Radius Corners Counter Table



Attach Upper Beam (C) to legs (B) using nut insert in legs.
See point attached

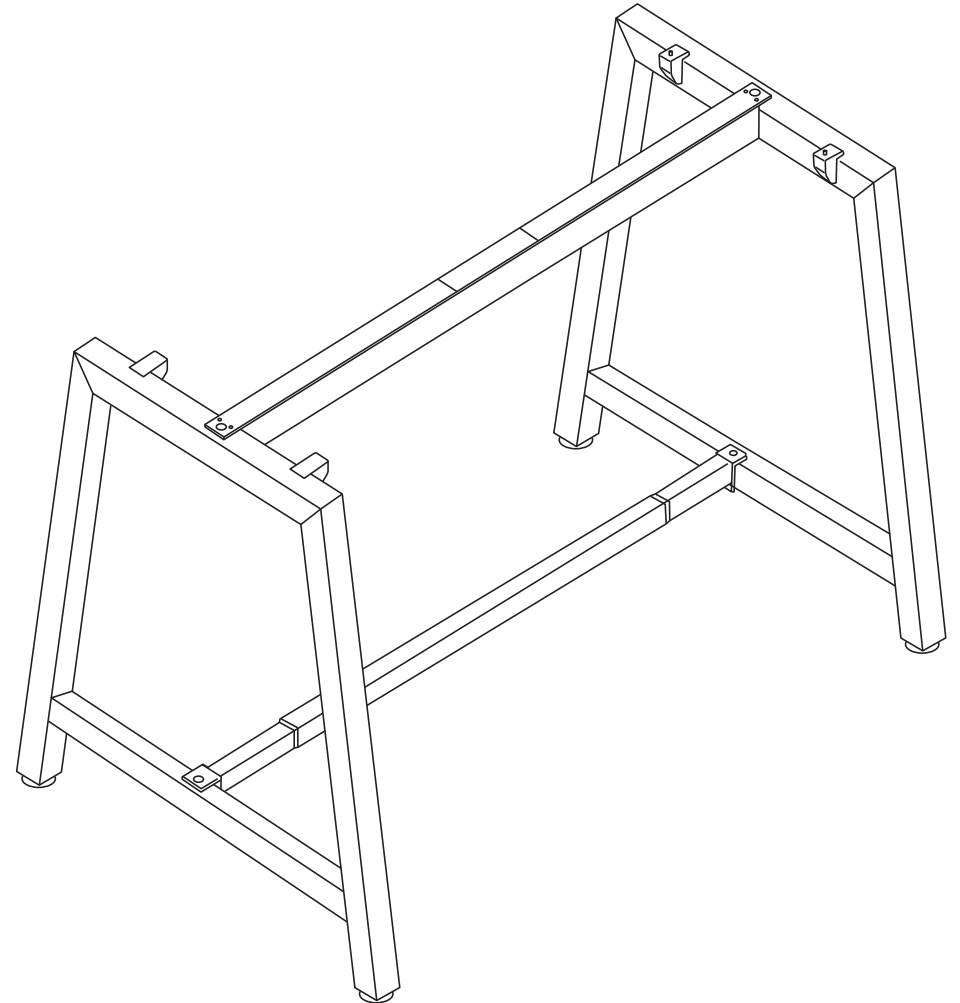
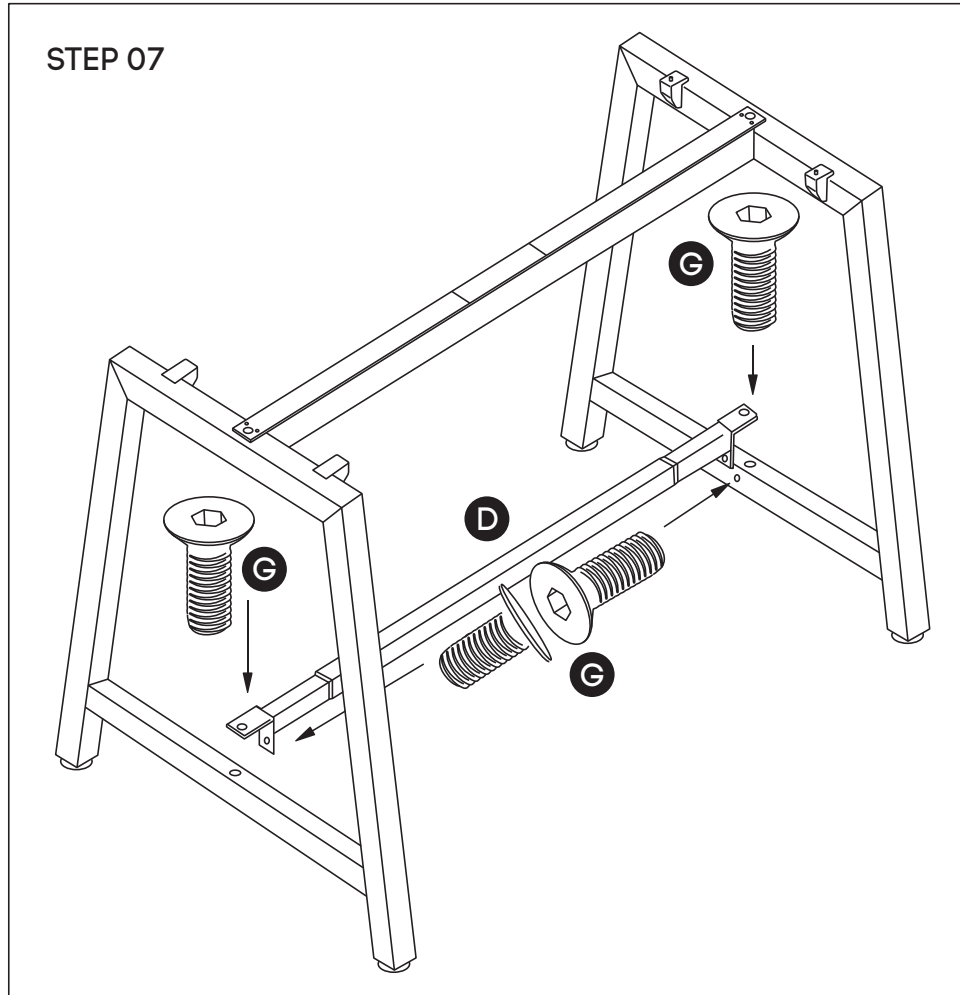


Frame looks like this. Using Allen Key, attach Upper Beam (C)
with Sockets (G).

Need help!

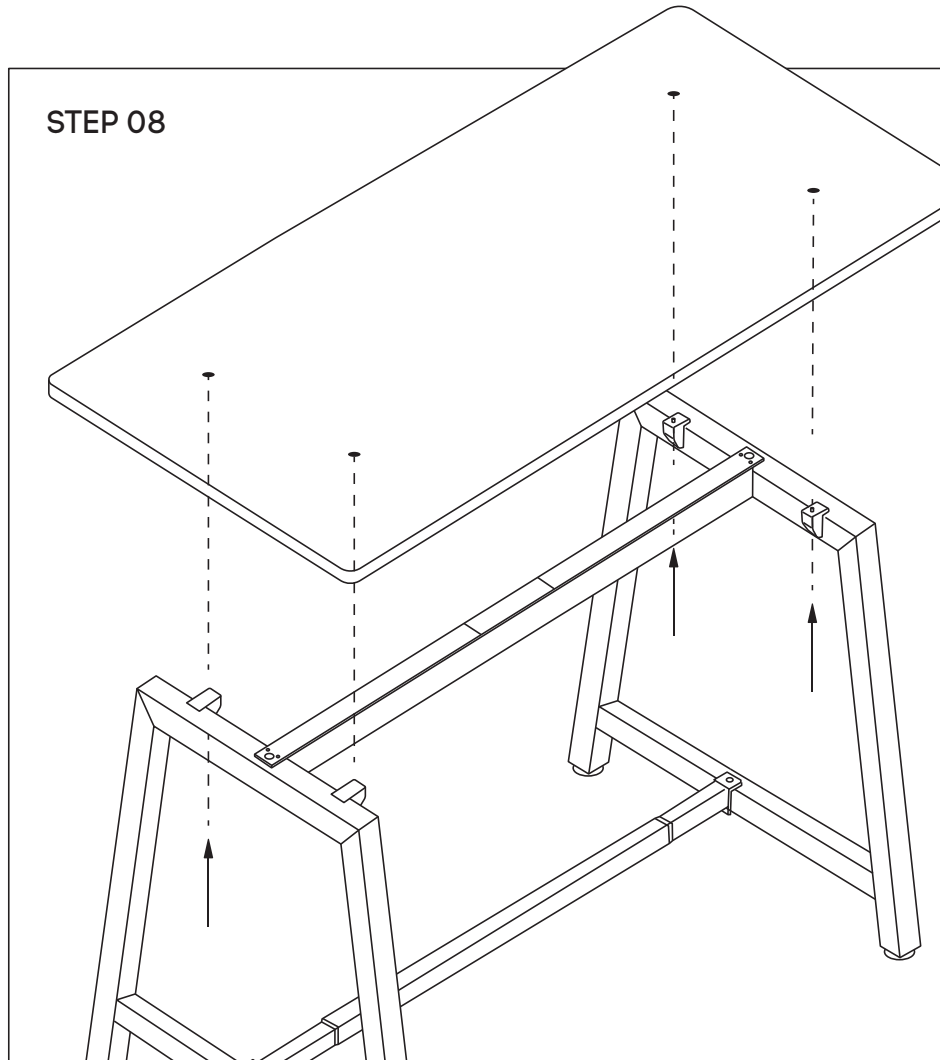
Call us on **1300 527 665**

Quadro A Leg Radius Corners Counter Table



Frame looks like this. Using Allen Key. Tighen Sockets (G) on the Lower Beam (D) using Allen Key (J). Insert plastic spacers to improve regidity. Attach two Sockets (G) to the side of the lower side beams (as shown in the picture).

Quadro A Leg Radius Corners Counter Table



STEP 08

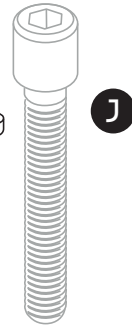
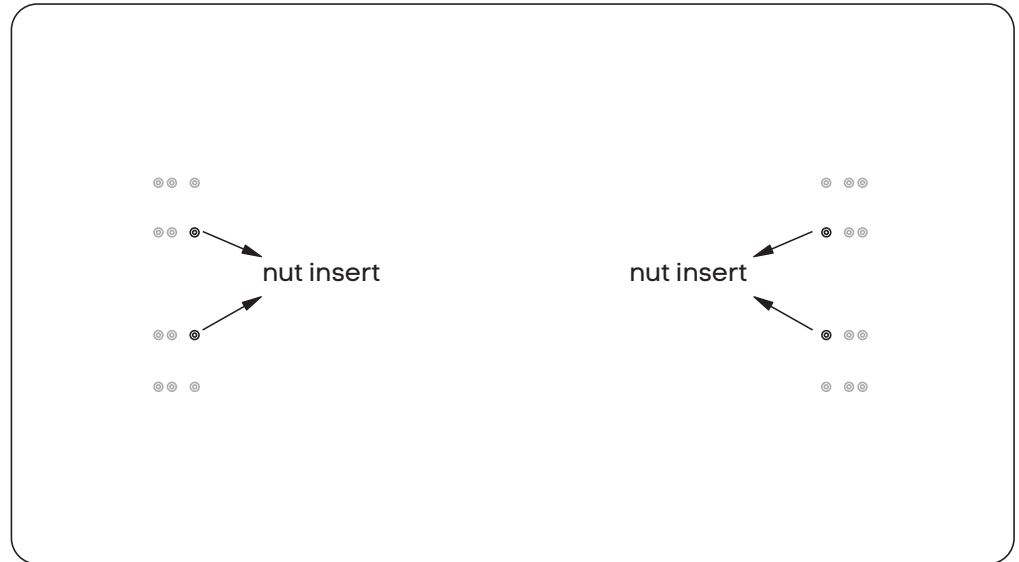
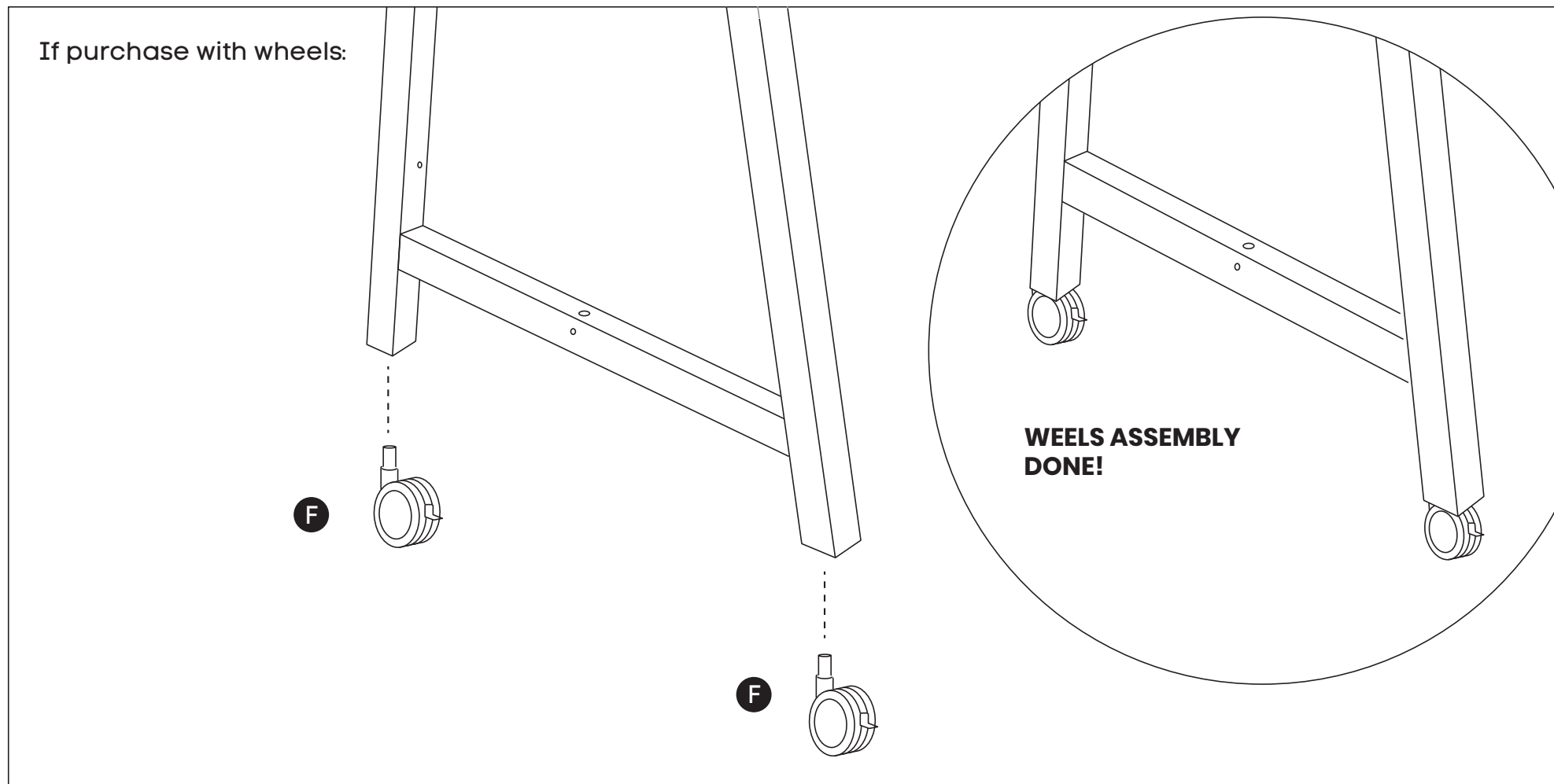


TABLE TOP
BOTTOM VIEW



Place desktop on top of frame. Please tighten screws using M6x30MM (J) into the underneath of the tops.

Quadro A Leg Radius Corners Counter Table



Replace Feet on the bottom of each leg with wheels **(Fa)**

Need help!

Call us on **1300 527 665**