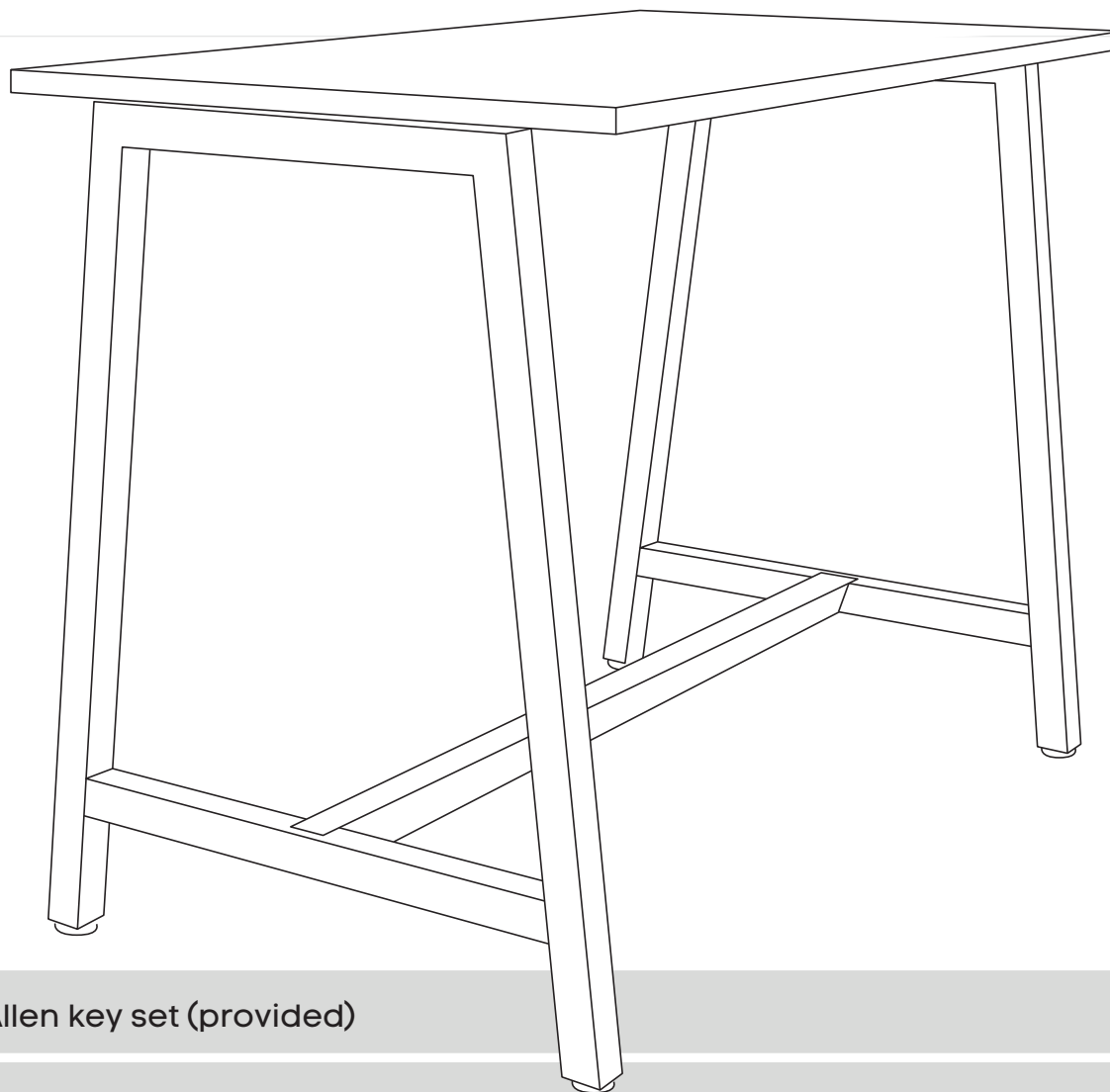


# Quadro A Leg Counter Table


**Sizes:**

1400x700

1600x700



**Tools Required:** Power screwdriver; Allen key set (provided)

 2 persons required for installation

**Need help!**

Call us on **1300 527 665**

# Quadro A Leg Counter Table

## COMPONENTS

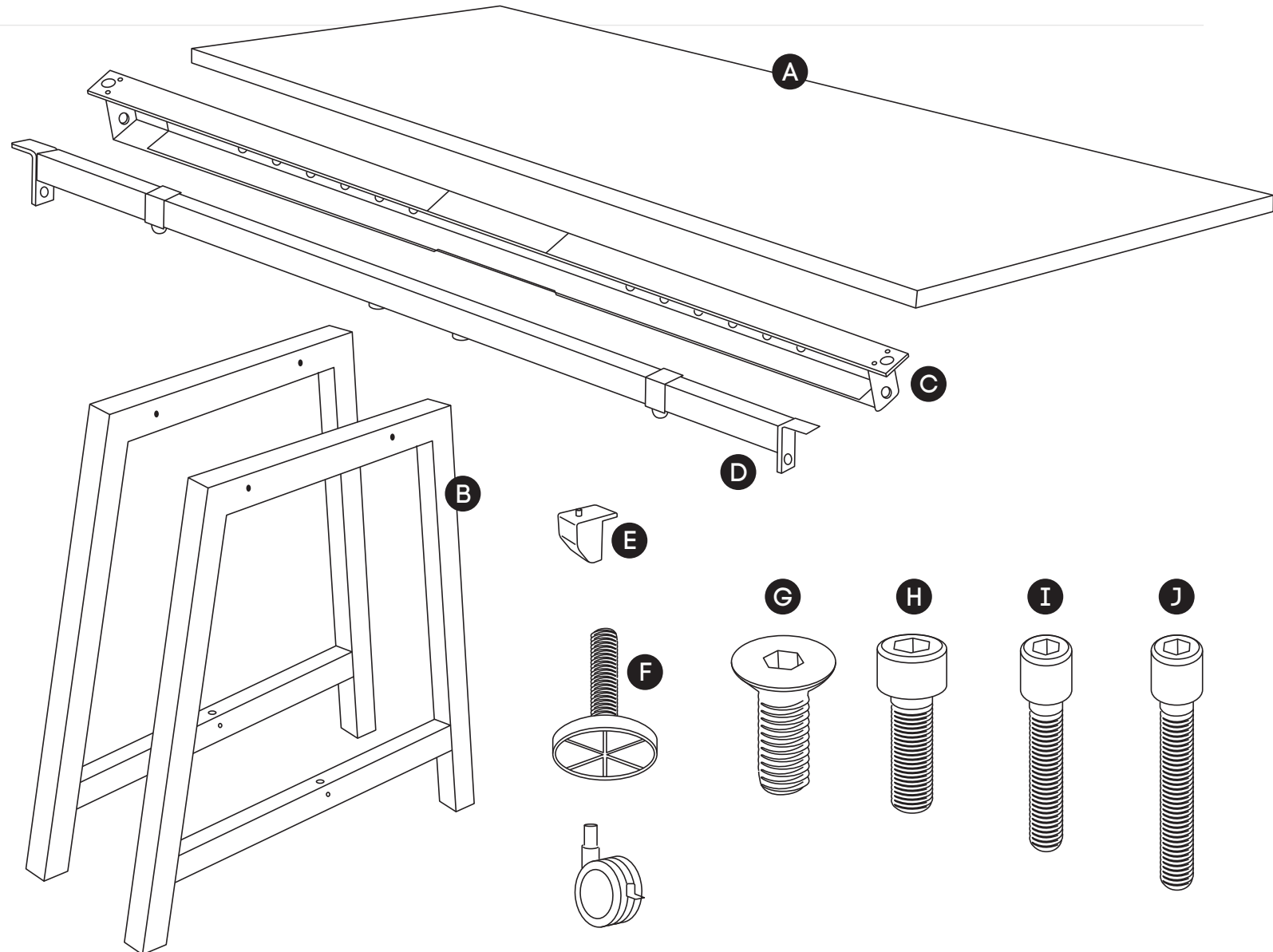
- A Table top x1
- B Leg Quadro A x2
- C Upper Beam x1 \*
- D Lower Beam x1
- E Plastic bracket x4
- F Feet x4

## SCREWS

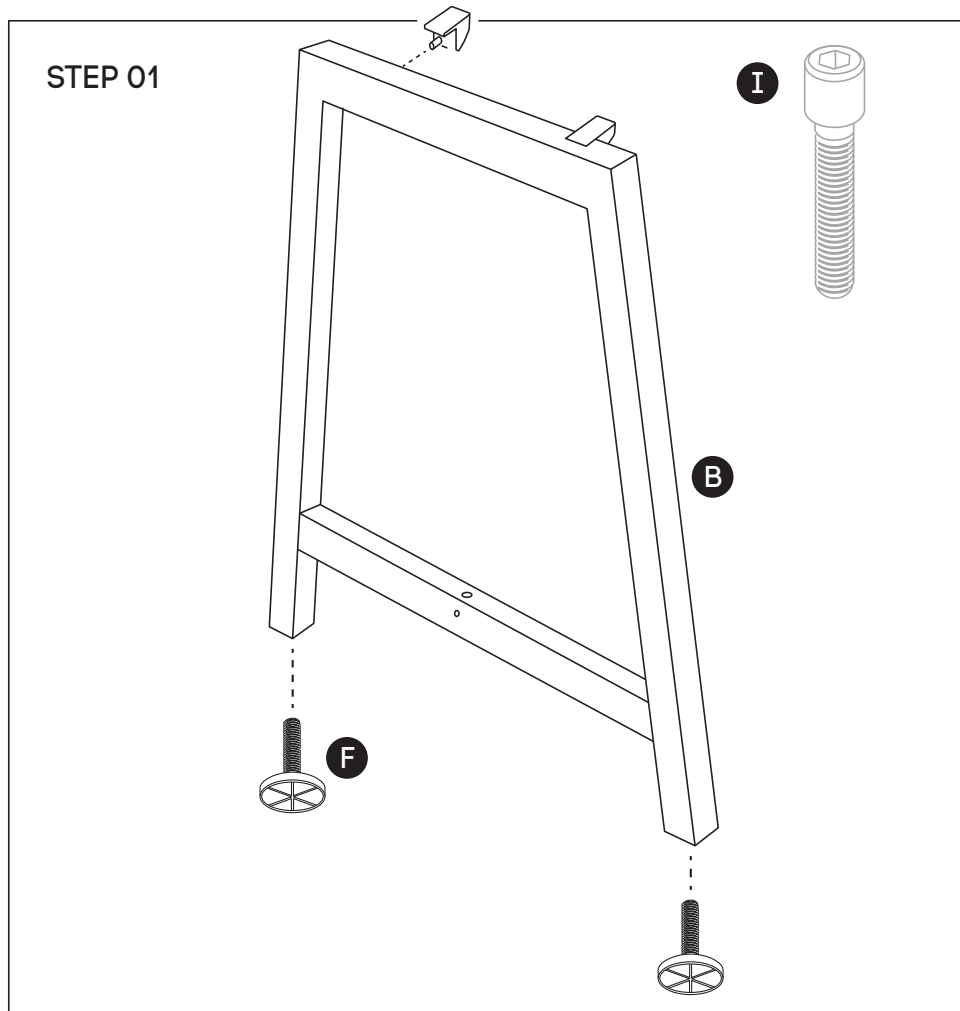
- G M8x20MM CSK x4
- H M8x20MM Socket head x4
- I M6x20MM Socket head x4
- J M6x30MM Socket head x4

- K Allen key x2

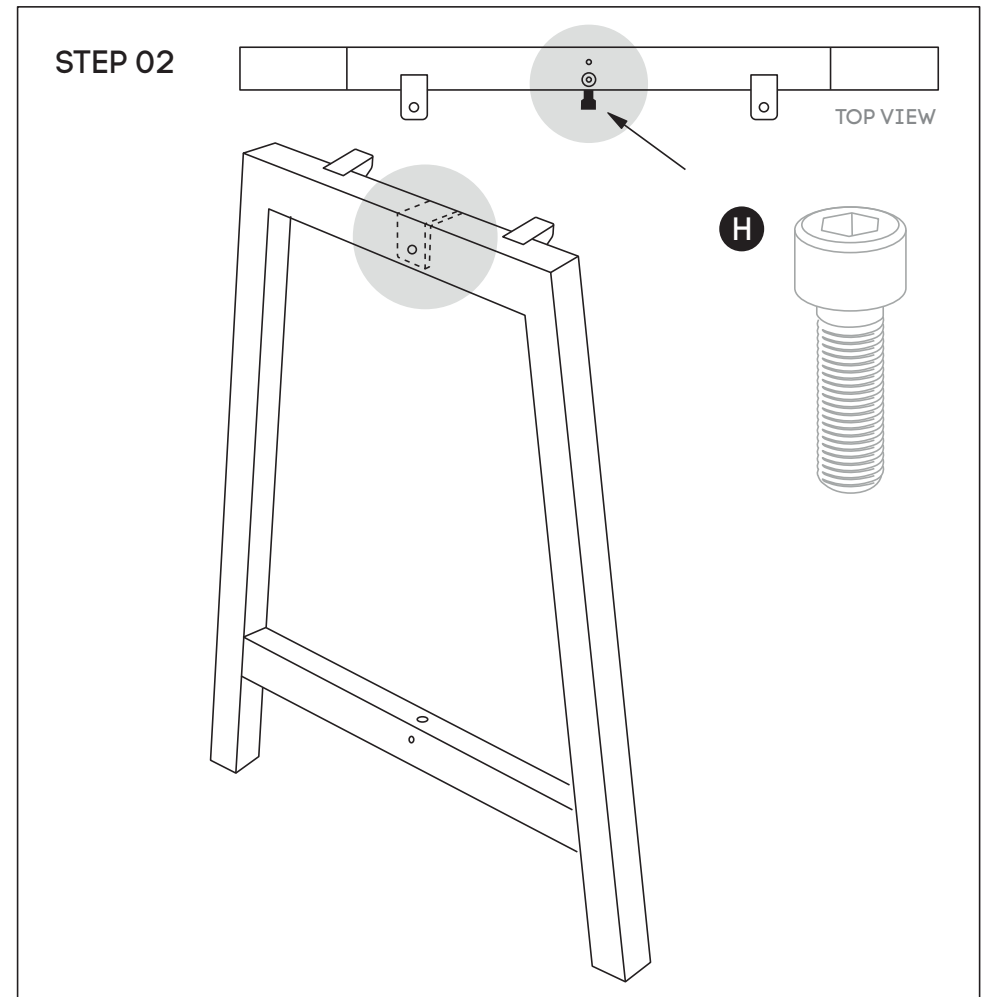
\* Colour of the beam is always black, regardless desk frame colour.



# Quadro A Leg Counter Table



Using Allen Key provided, attach 2 plastic brackets per leg (D) (as per picture above) using M6x20MM (I) Socket head screw. Screw the feet (F) to the bottom of each leg (B)

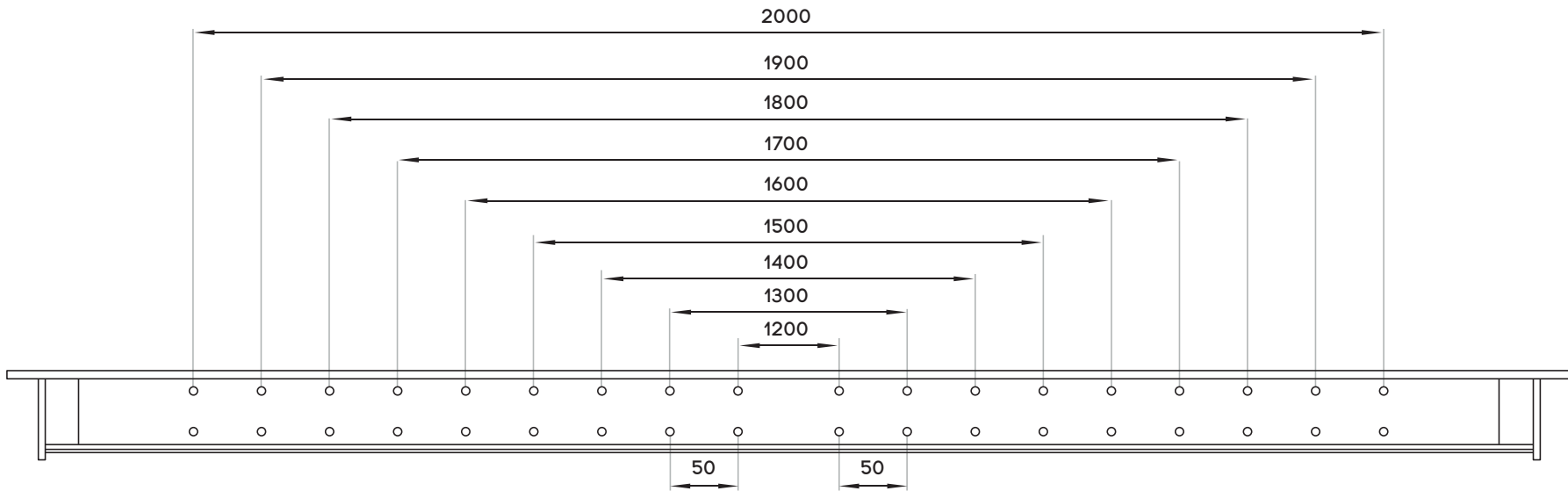
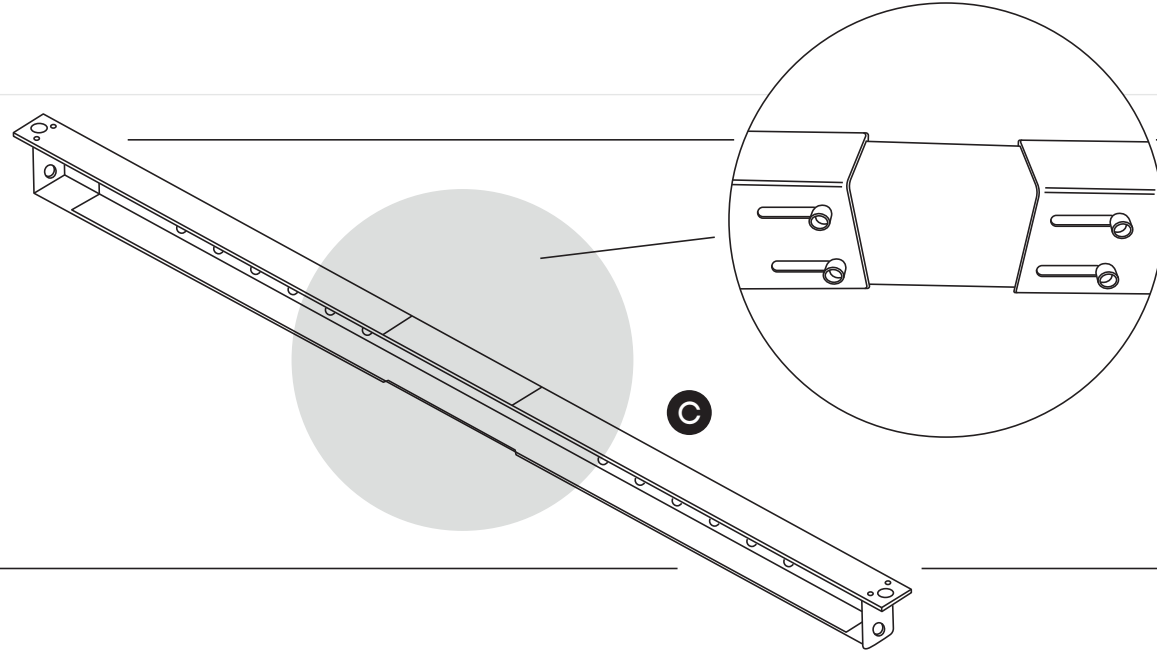


Using Allen Key provided, attach M8x20MM Socket head (H)- screw socket half way into leg for both legs (B)

# Quadro A Leg Counter Table

## STEP 03

Adjust extendable beam (C) to desired length using markers and secure beam at that length using screws provided

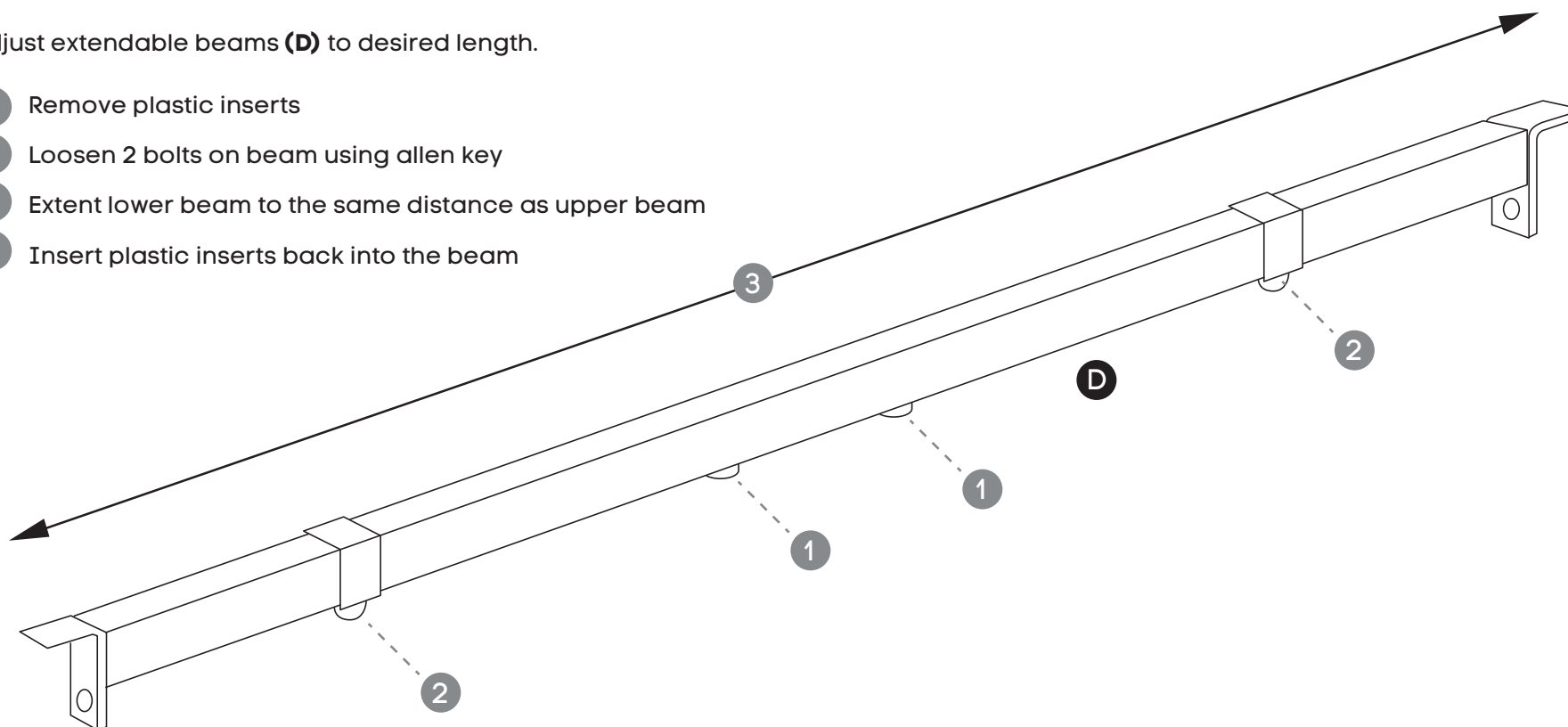


# Quadro A Leg Counter Table

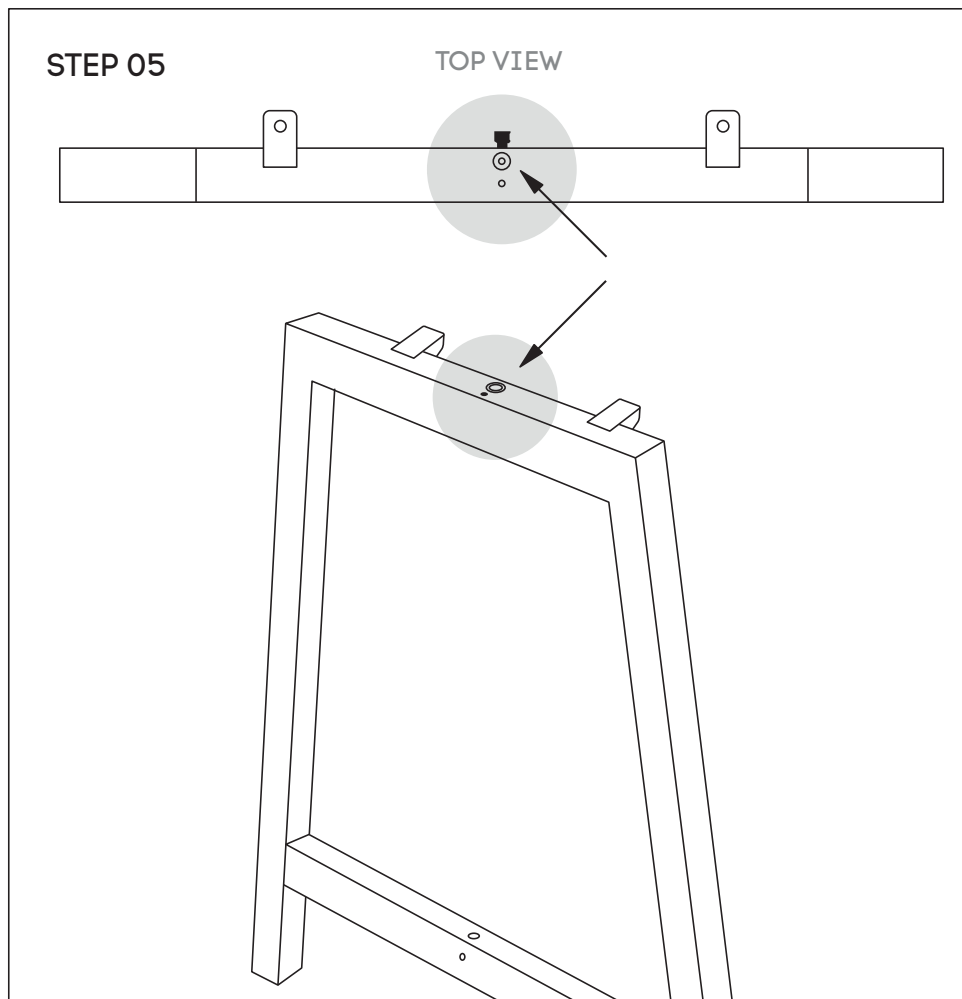
## STEP 04

Adjust extendable beams (**D**) to desired length.

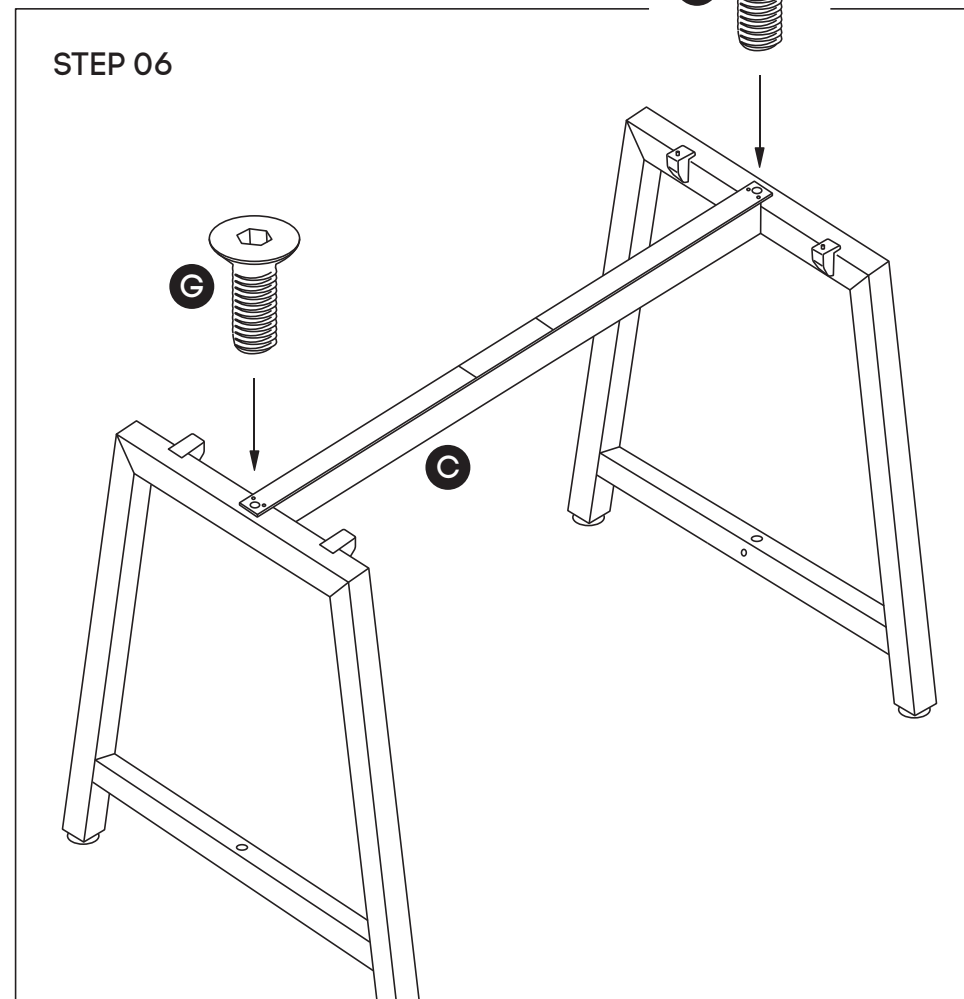
- 1 Remove plastic inserts
- 2 Loosen 2 bolts on beam using allen key
- 3 Extent lower beam to the same distance as upper beam
- 4 Insert plastic inserts back into the beam



# Quadro A Leg Counter Table

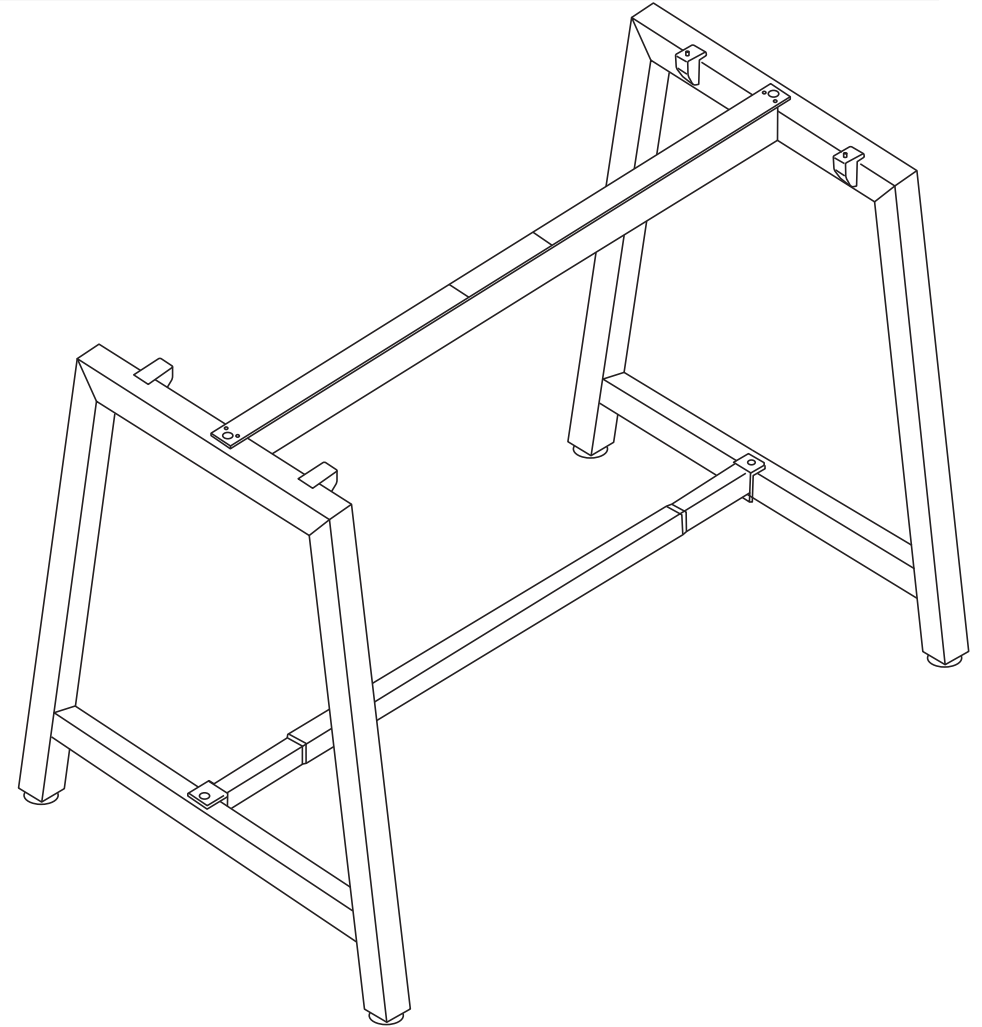
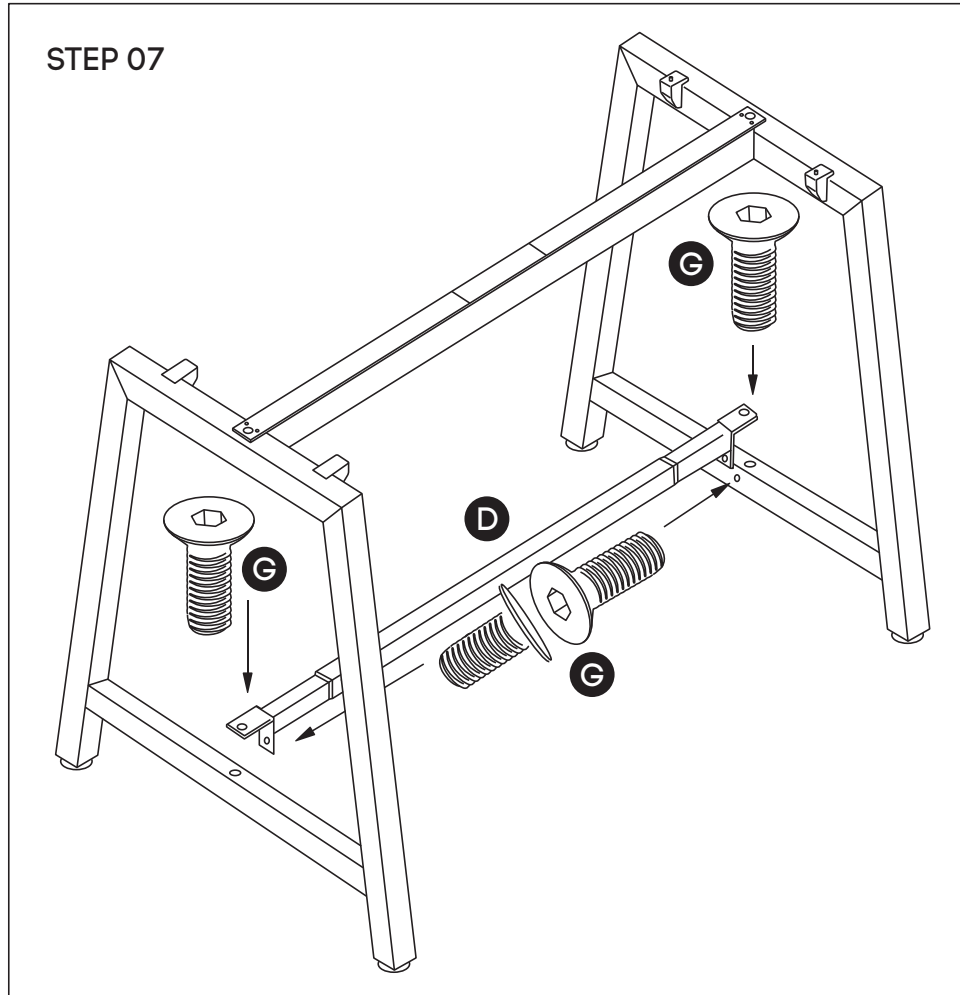


Attach Upper Beam (C) to legs (B) using nut insert in legs. See point attached



Frame looks like this. Using Allen Key, attach Upper Beam (C) with Sockets (G).

# Quadro A Leg Counter Table



Frame looks like this. Using Allen Key. Tighen Sockets (G) on the Lower Beam (D) using Allen Key (J). Insert plastic spacers to improve regidity. Attach two Sockets (G) to the side of the lower side beams (as shown in the picture).

**Need help!**

Call us on **1300 527 665**

# Quadro A Leg Counter Table

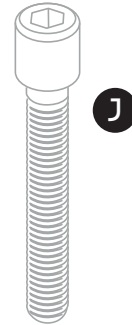
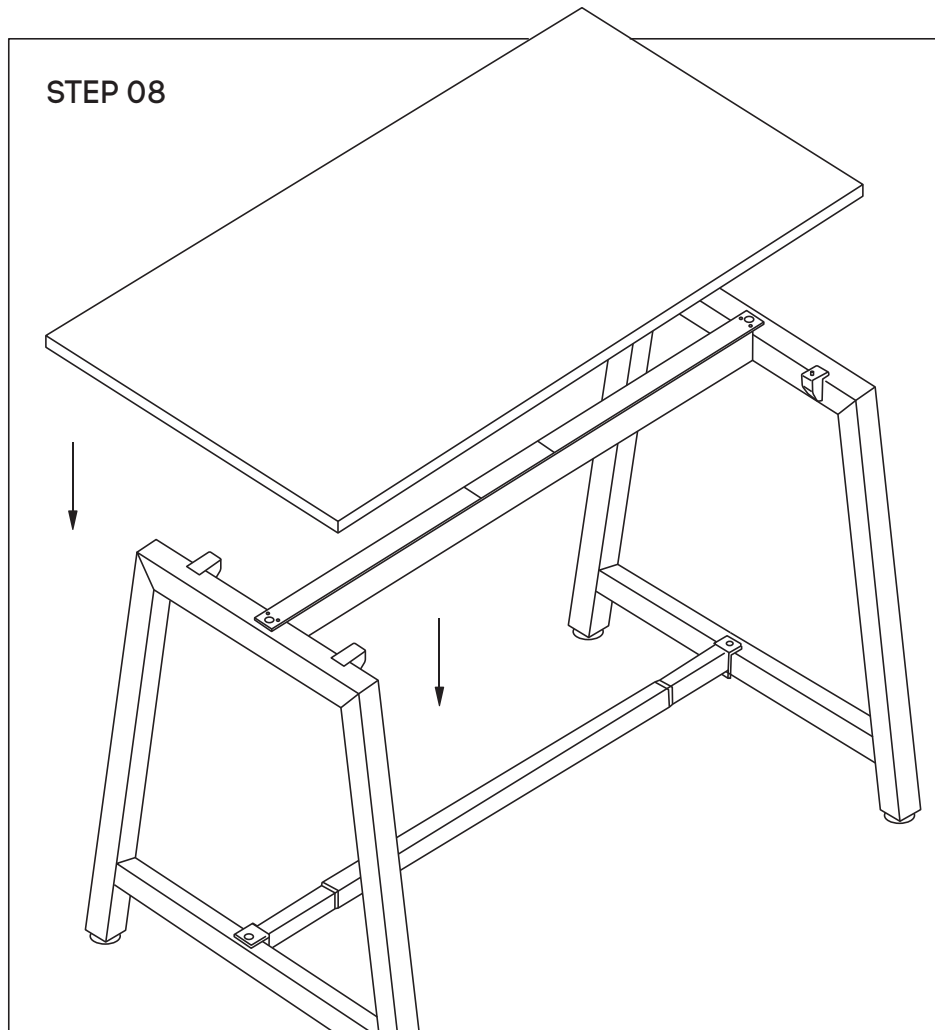
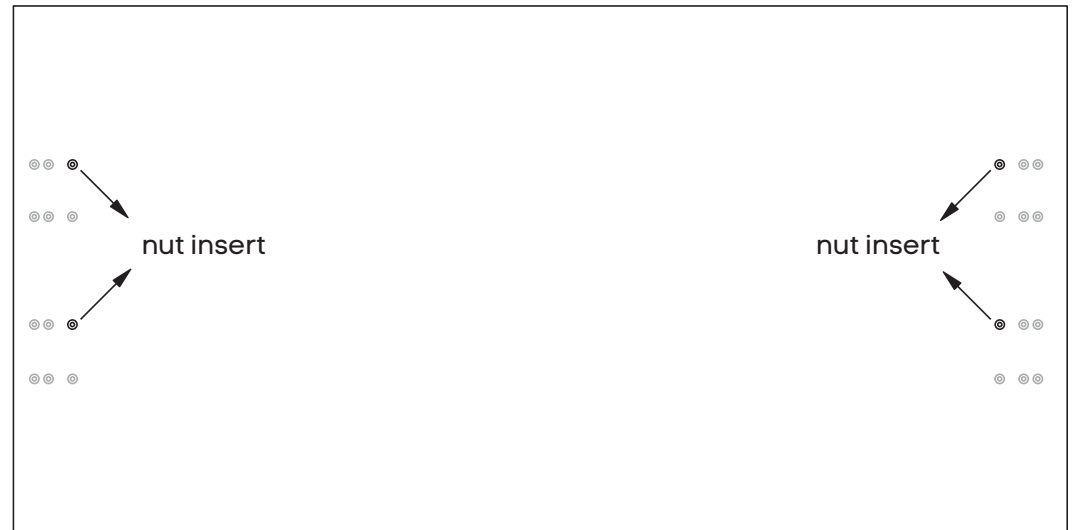


TABLE TOP  
BOTTOM VIEW

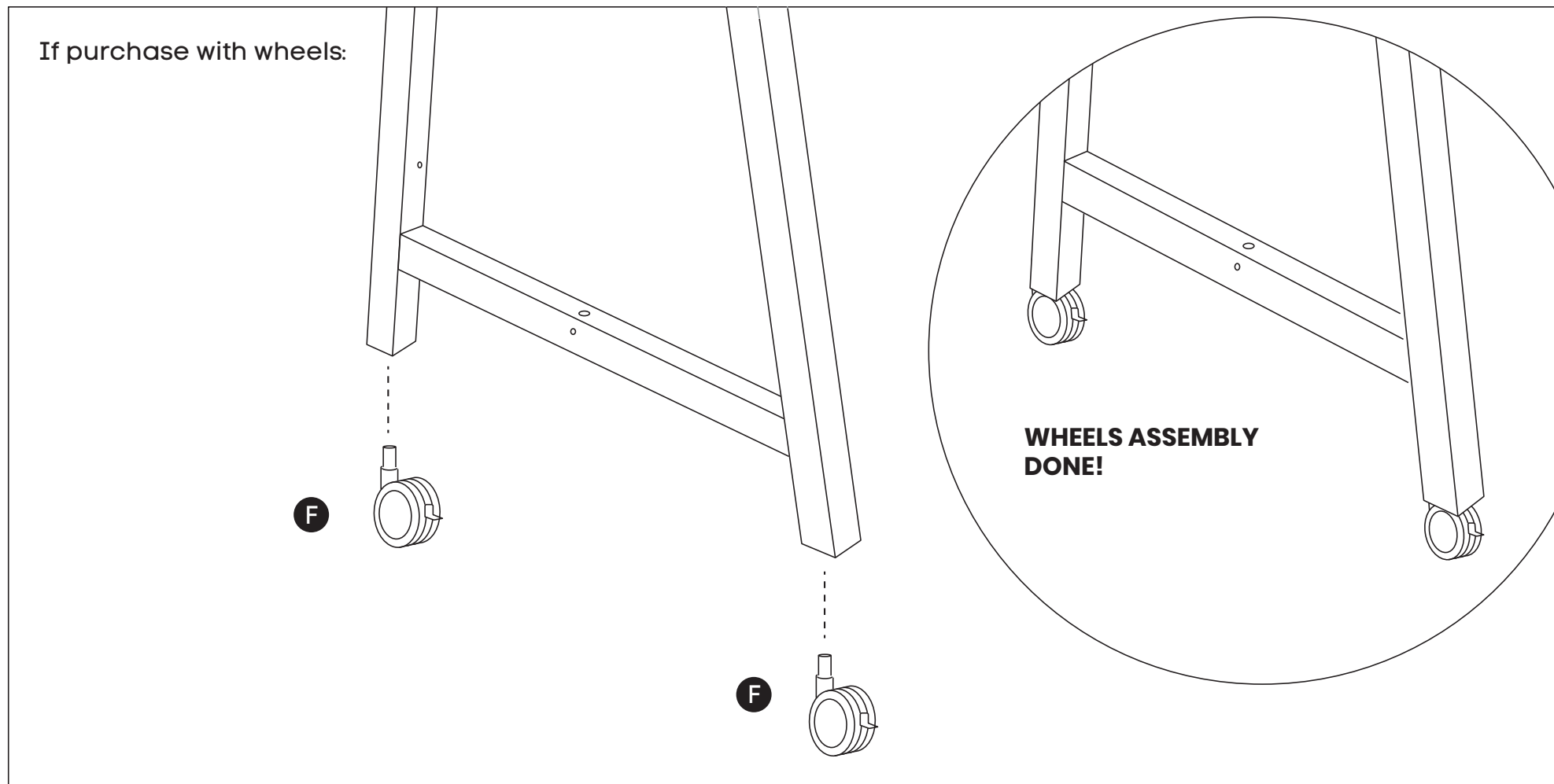


Place desktop on top of frame. Nut inserts in top will align with plastic joiner brackets using M6x30MM (J) sockets attached top to frame.

**Need help!** Call us on **1300 527 665**



# Quadro A Leg Counter Table



Replace Feet on the bottom of each leg with wheels **(F)**

**Need help!**

Call us on **1300 527 665**