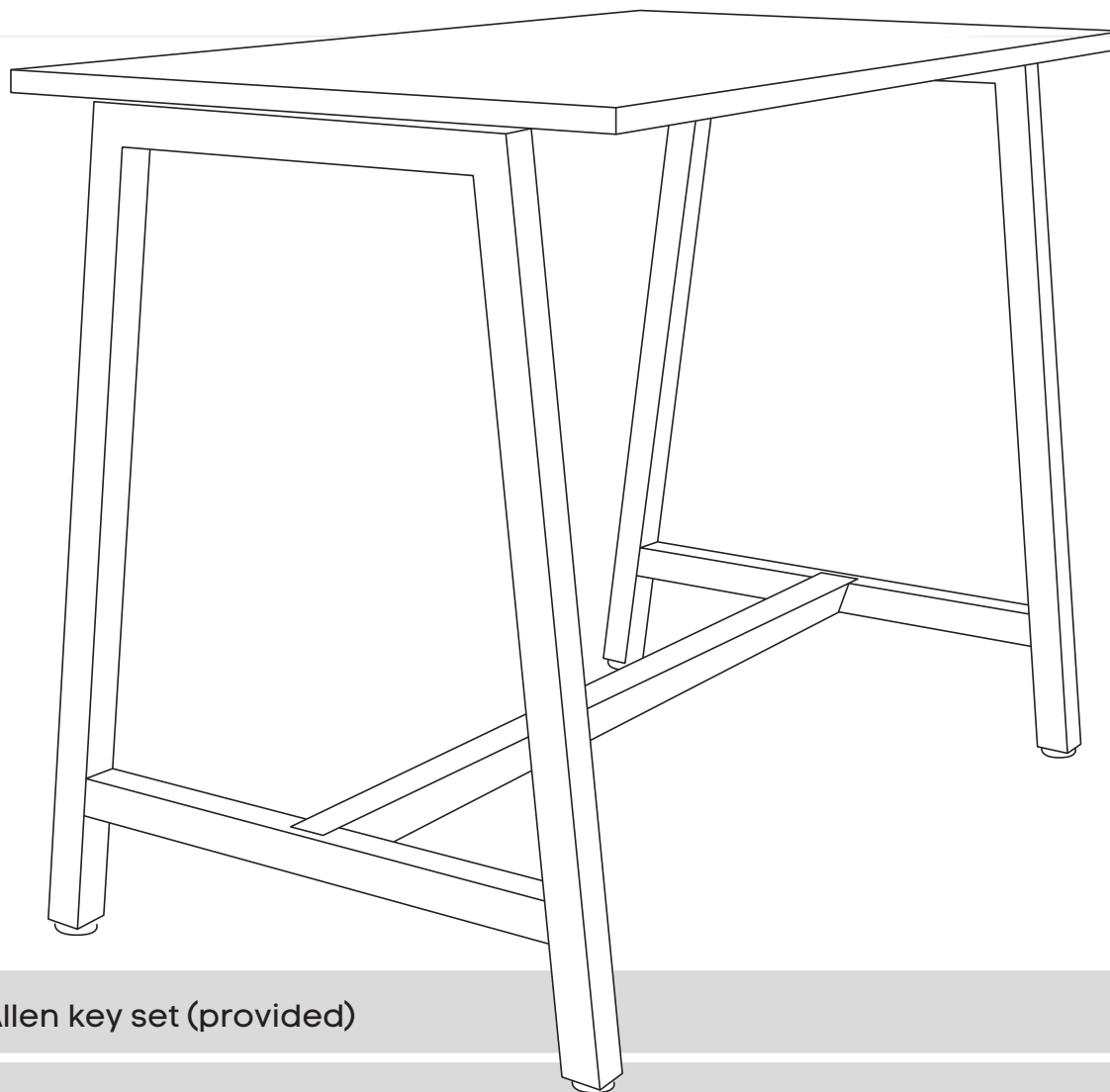


Quadro A Leg Counter Table


Sizes:

1200x700

1800x700



Tools Required: Power screwdriver; Allen key set (provided)

 2 persons required for installation

Need help!

Call us on **1300 527 665**

Quadro A Leg Counter Table

COMPONENTS

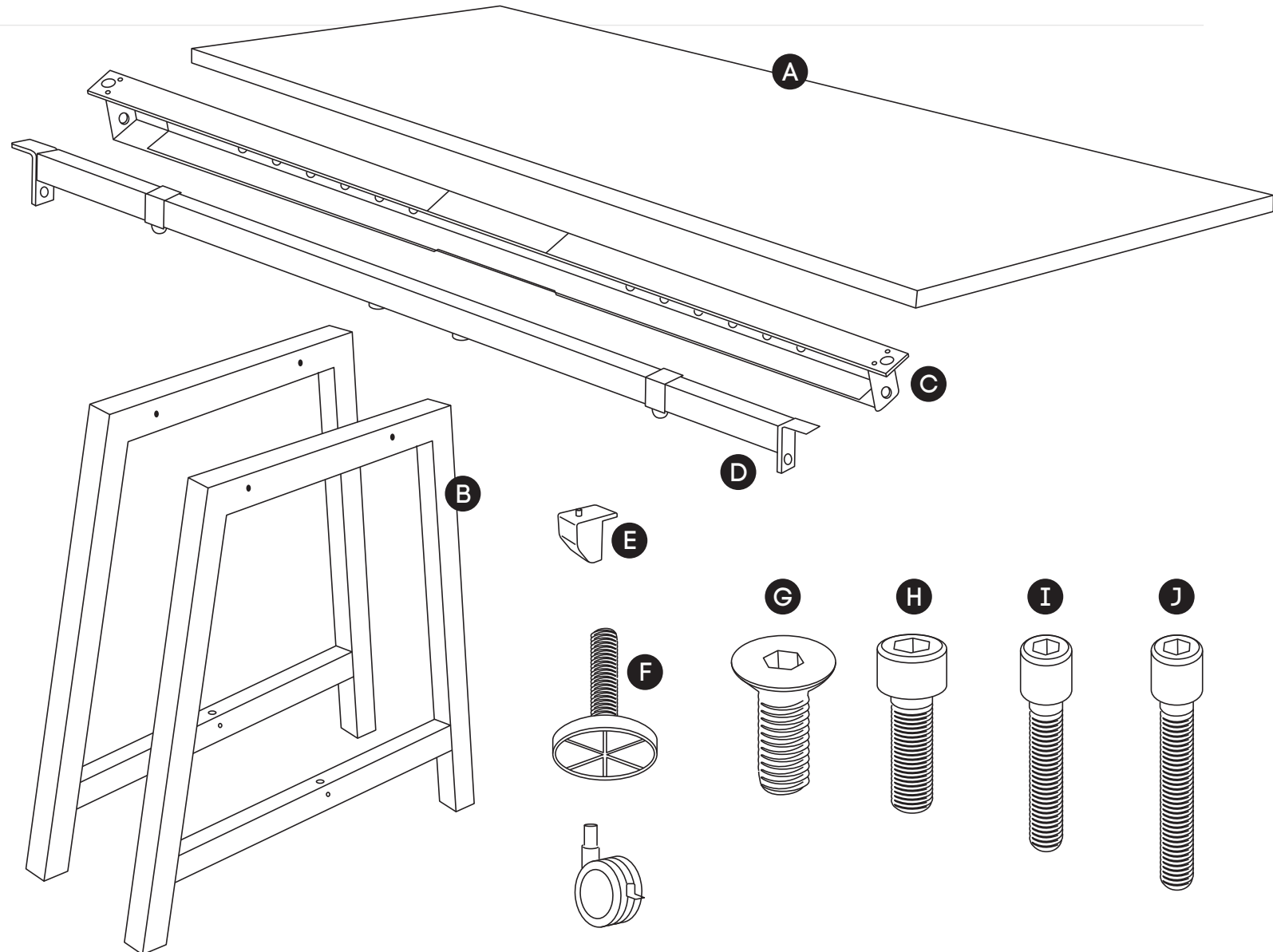
- A Table top x1
- B Leg Quadro A x2
- C Upper Beam x1 *
- D Lower Beam x1
- E Plastic bracket x4
- F Feet x4

SCREWS

- G M8x20MM CSK x4
- H M8x20MM Socket head x4
- I M6x20MM Socket head x4
- J M6x30MM Socket head x4

- K Allen key x2

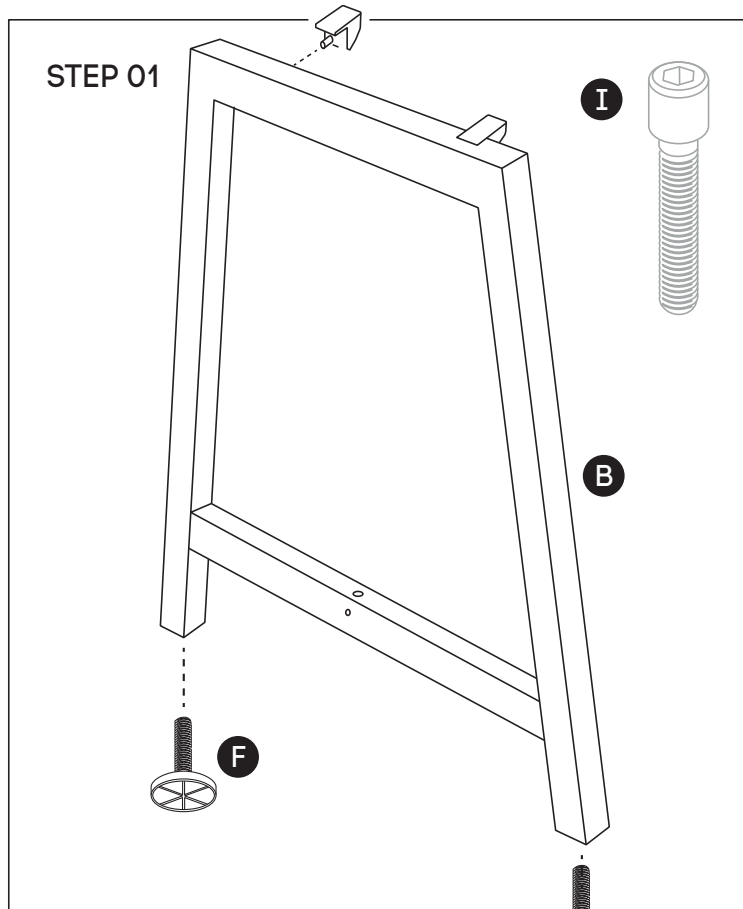
* Colour of the beam is always black, regardless desk frame colour.



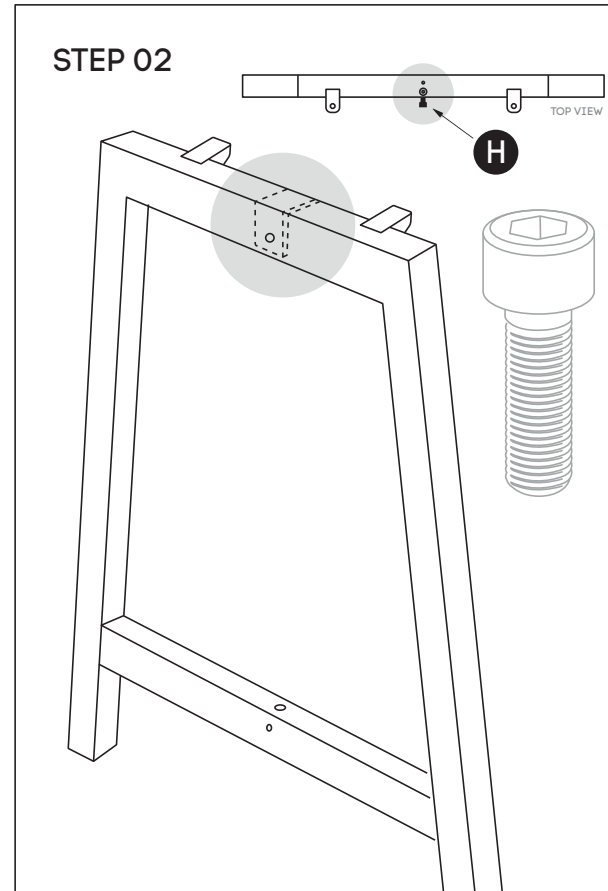
Need help!

Call us on **1300 527 665**

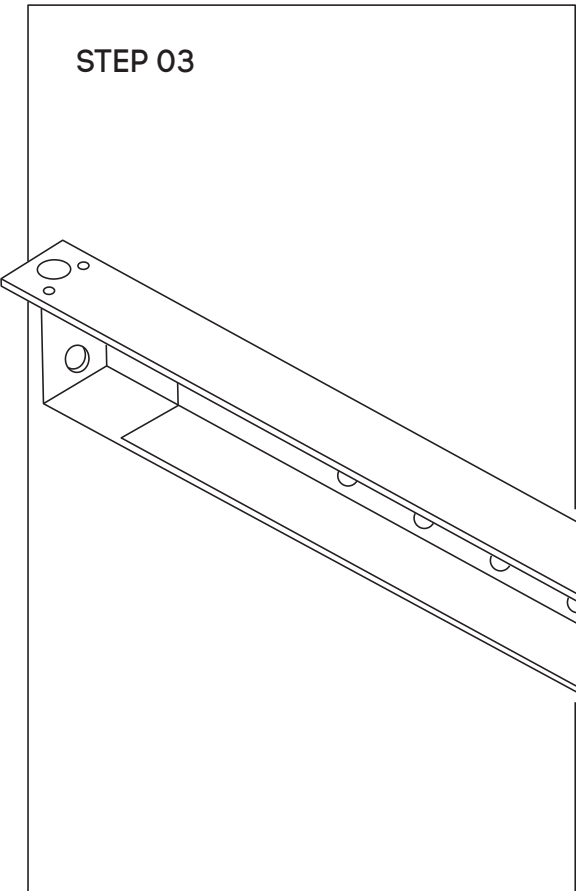
Quadro A Leg Counter Table



Using Allen Key provided, attach 2 plastic brackets per leg (D) (as per picture above) using M6x20MM (I) Socket head screw. Screw the feet (F) to the bottom of each leg (B)



Using Allen Key provided, attach M8x20MM Socket head (H)- screw socket half way into leg for both legs (B)

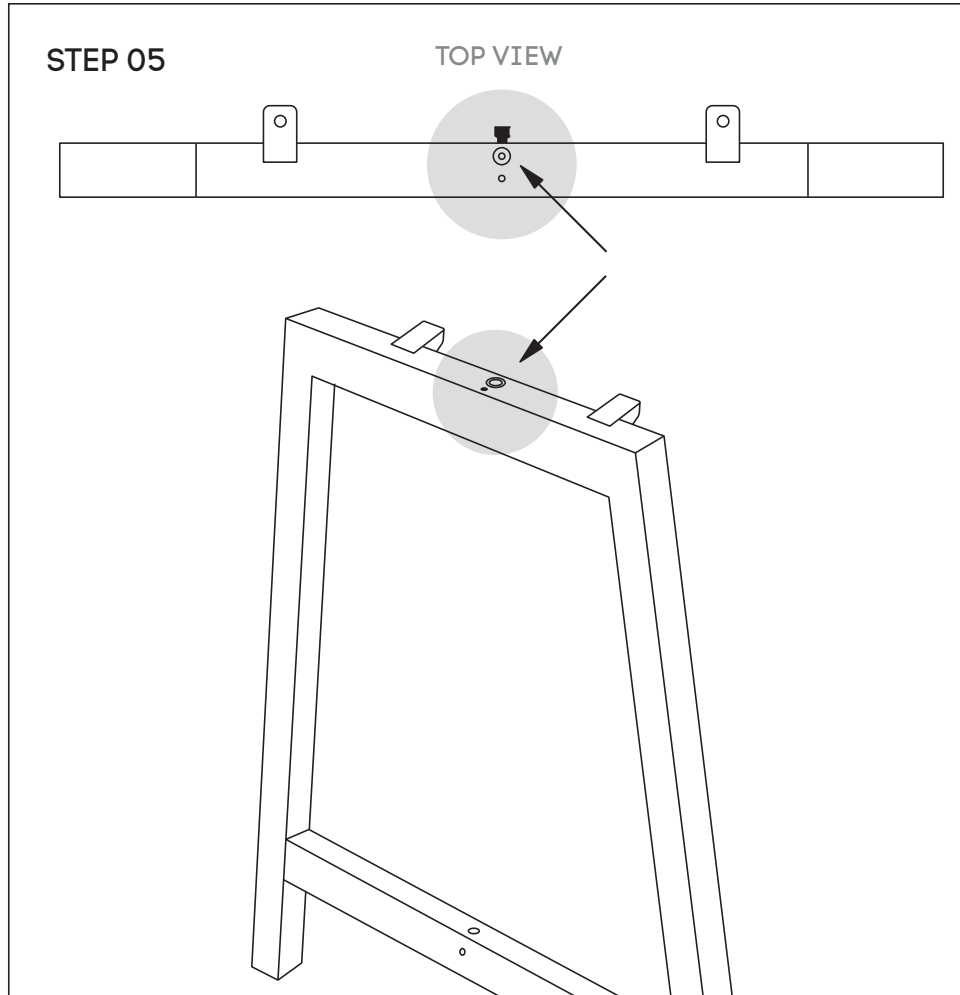


Use fixed beam (C) and secure beam using screws provided to suit desk

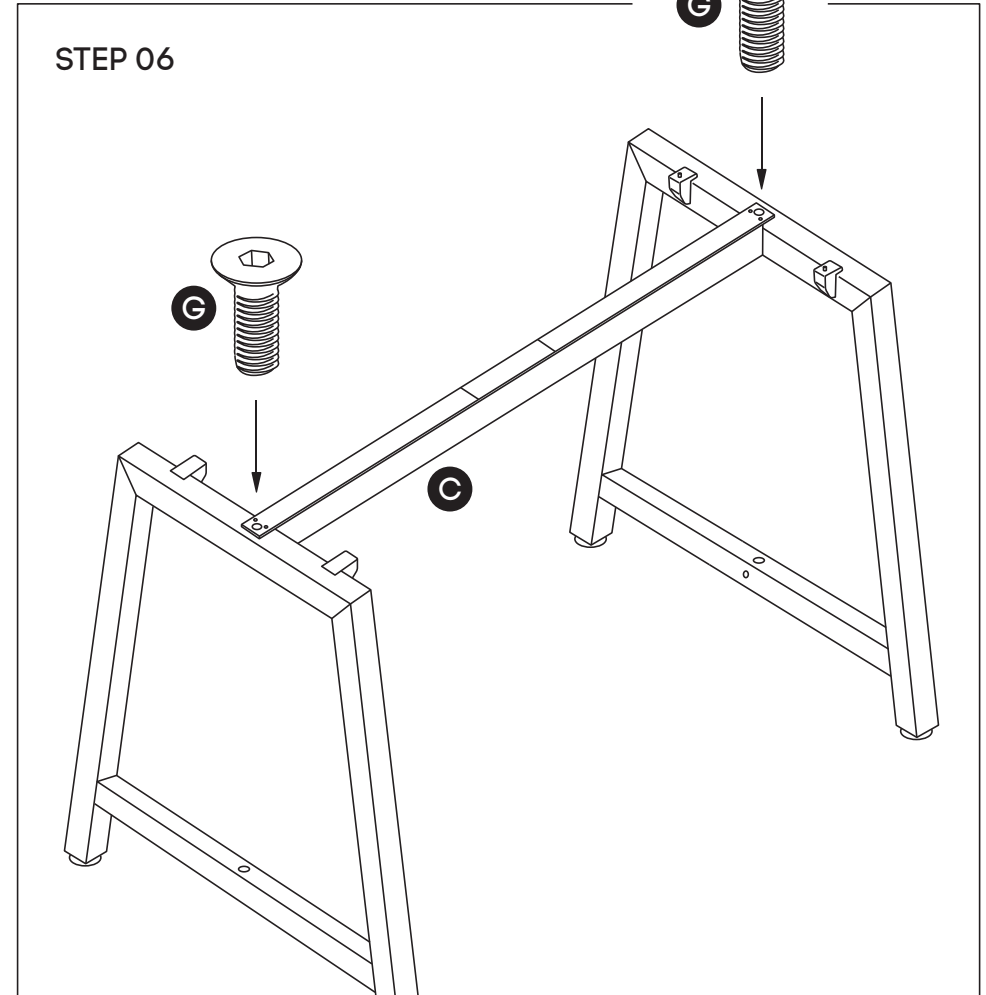
Need help!

Call us on **1300 527 665**

Quadro A Leg Counter Table



Attach Upper Beam (C) to legs (B) using nut insert in legs. See point attached

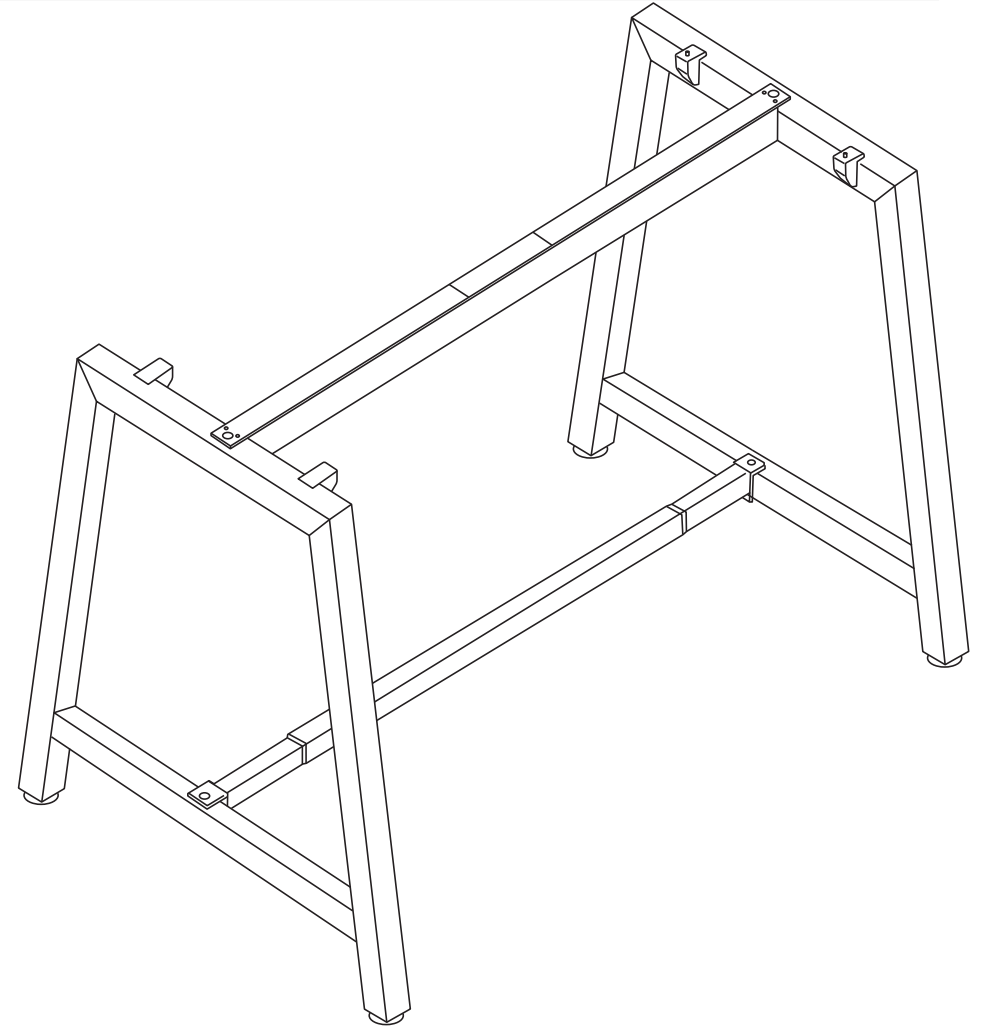
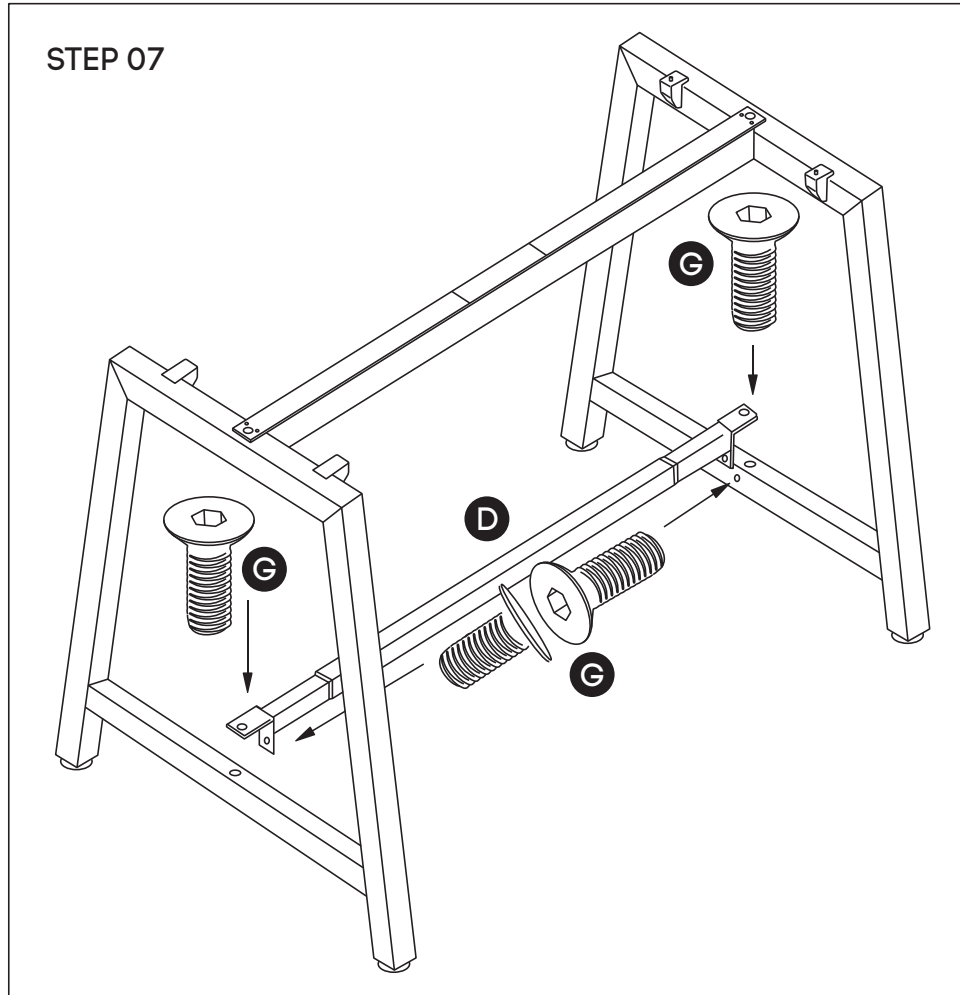


Frame looks like this. Using Allen Key, attach Upper Beam (C) with Sockets (G).

Need help!

Call us on **1300 527 665**

Quadro A Leg Counter Table



Frame looks like this. Using Allen Key. Tighten Sockets (G) on the Lower Beam (D) using Allen Key (J). Insert plastic spacers to improve rigidity. Attach two Sockets (G) to the side of the lower side beams (as shown in the picture).

Need help!

Call us on **1300 527 665**

Quadro A Leg Counter Table

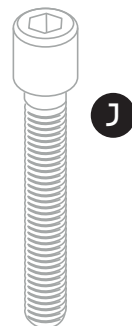
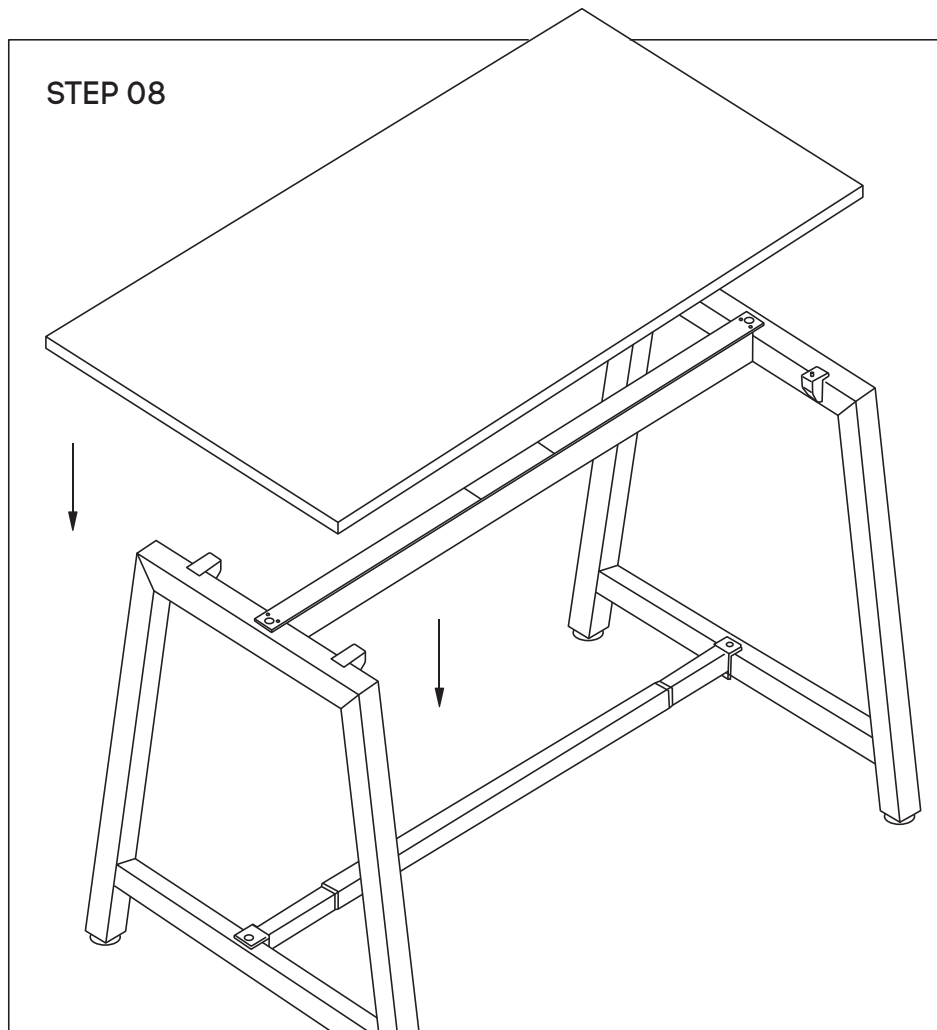
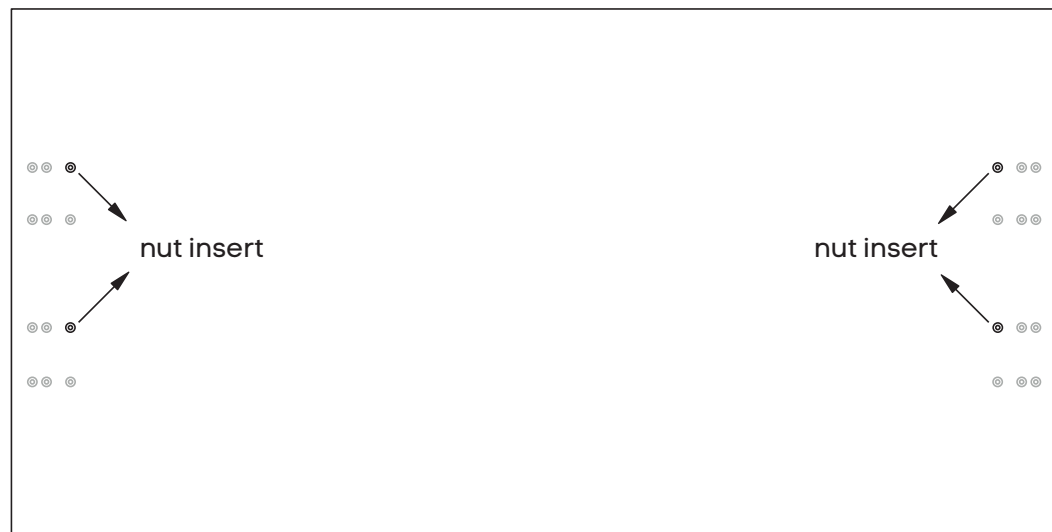


TABLE TOP
BOTTOM VIEW

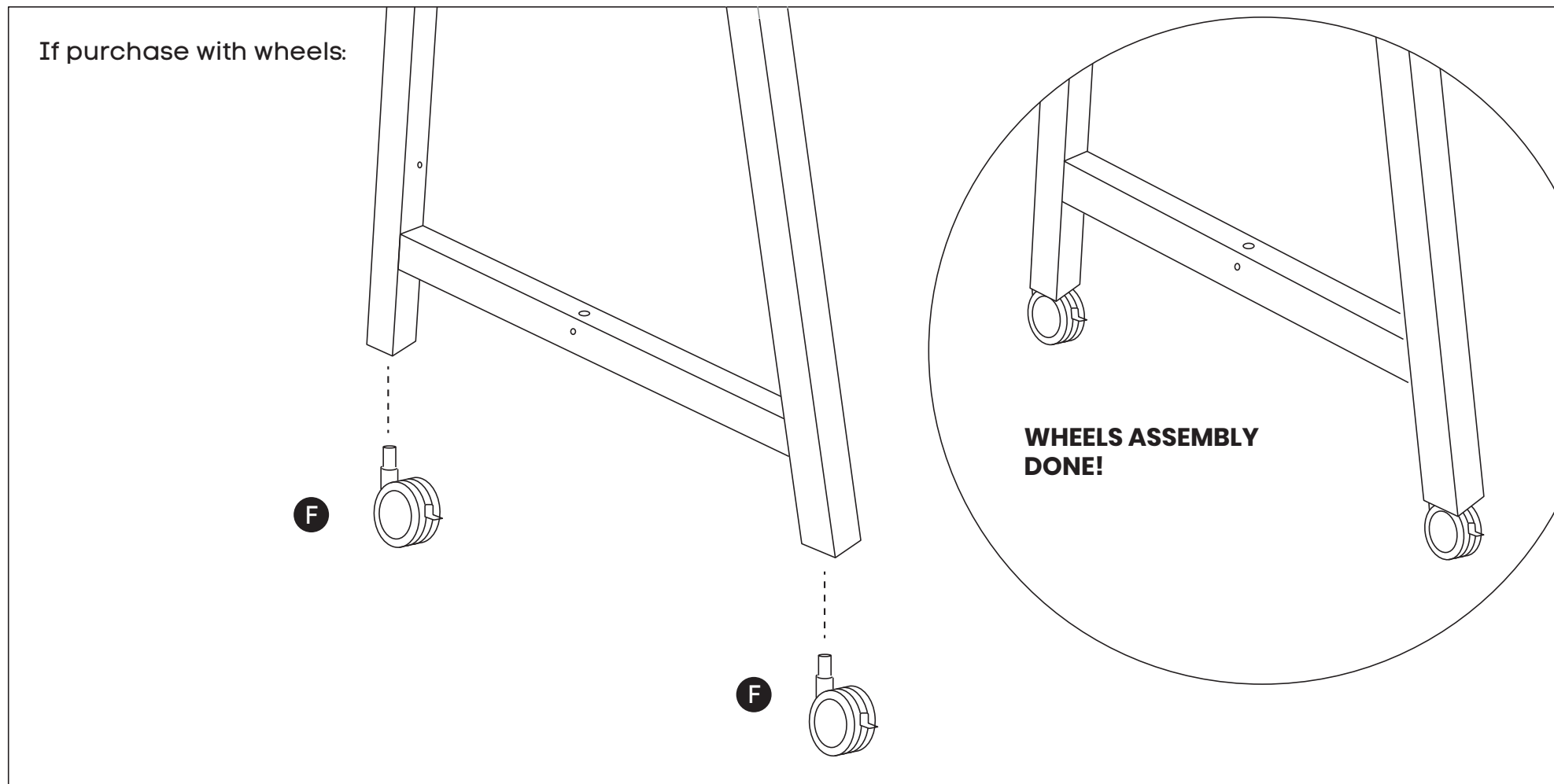


Place desktop on top of frame. Nut inserts in top will align with plastic joiner brackets using M6x30MM (J) sockets attached top to frame.

Need help!

Call us on **1300 527 665**

Quadro A Leg Counter Table



Replace Feet on the bottom of each leg with wheels **(F)**

Need help!

Call us on **1300 527 665**