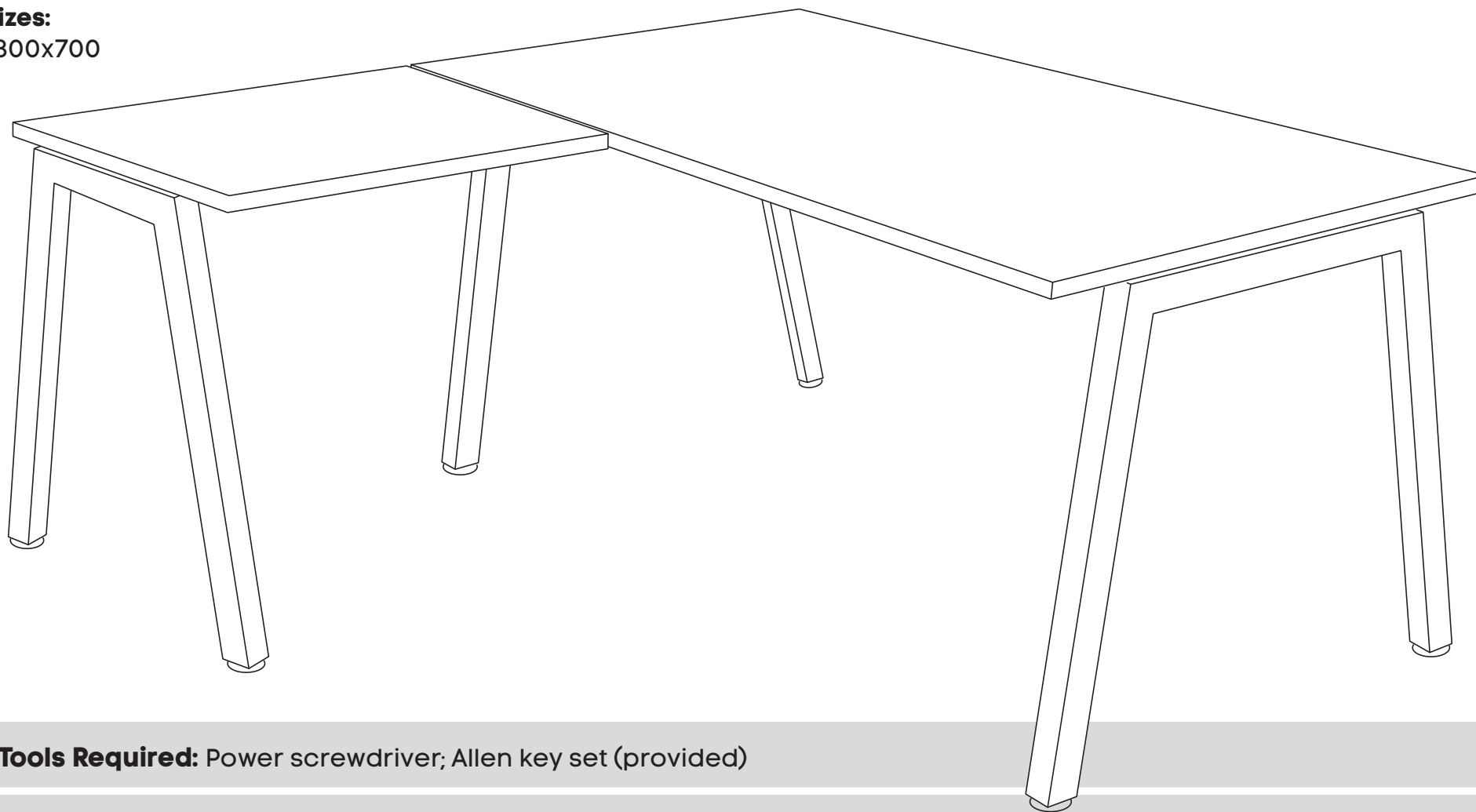



# Quadro A L-Shaped Desk

**Sizes:**  
1800x700



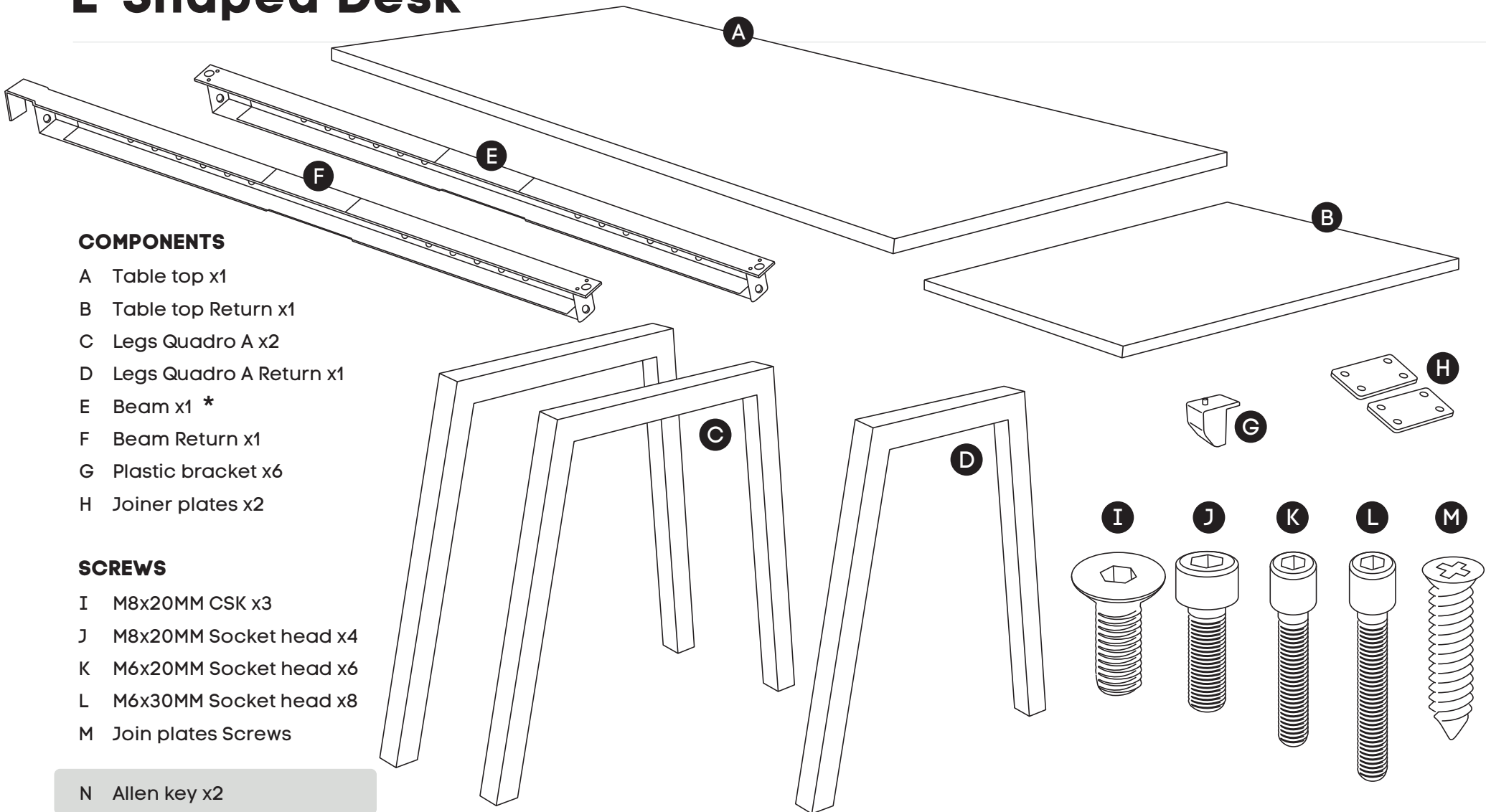
**Tools Required:** Power screwdriver; Allen key set (provided)

 2 persons required for installation

**Need help!**

Call us on **1300 527 665**

# Quadro A L-Shaped Desk



## COMPONENTS

- A Table top x1
- B Table top Return x1
- C Legs Quadro A x2
- D Legs Quadro A Return x1
- E Beam x1 \*
- F Beam Return x1
- G Plastic bracket x6
- H Joiner plates x2

## SCREWS

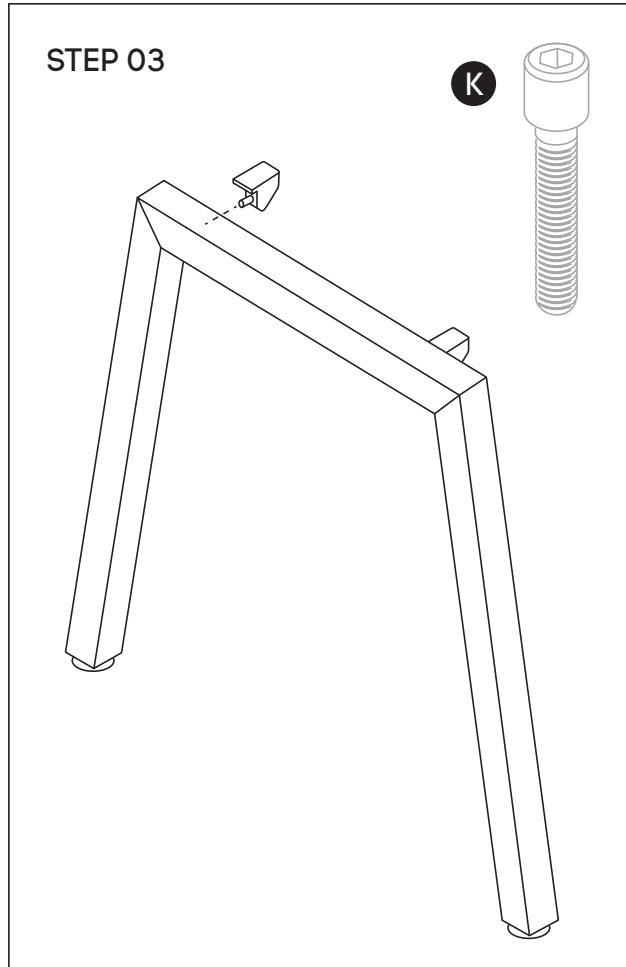
- I M8x20MM CSK x3
- J M8x20MM Socket head x4
- K M6x20MM Socket head x6
- L M6x30MM Socket head x8
- M Join plates Screws

N Allen key x2

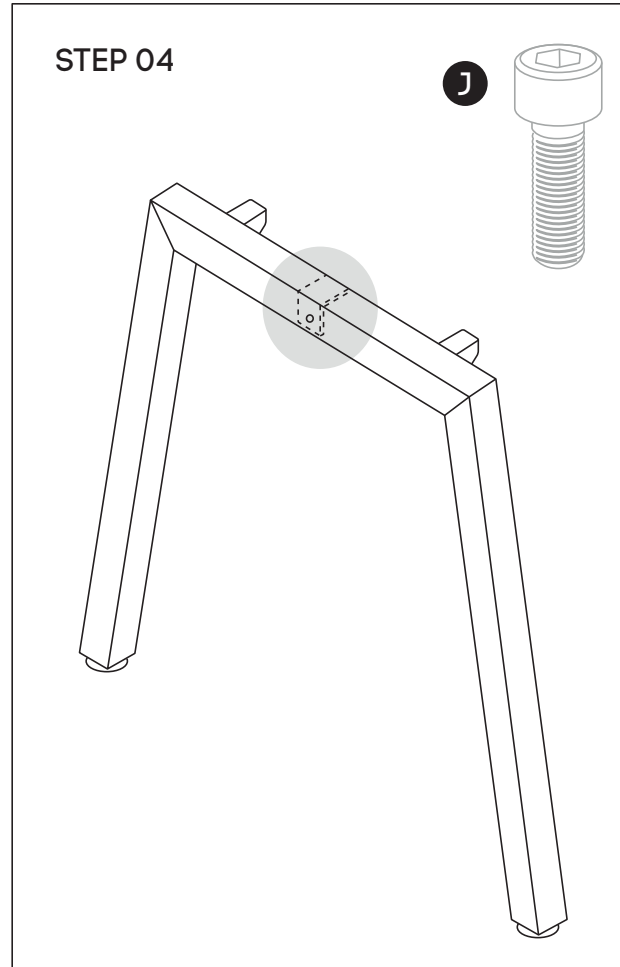
\* Colour of the beam is always black, regardless desk frame colour.

**Need help!** Call us on **1300 527 665**

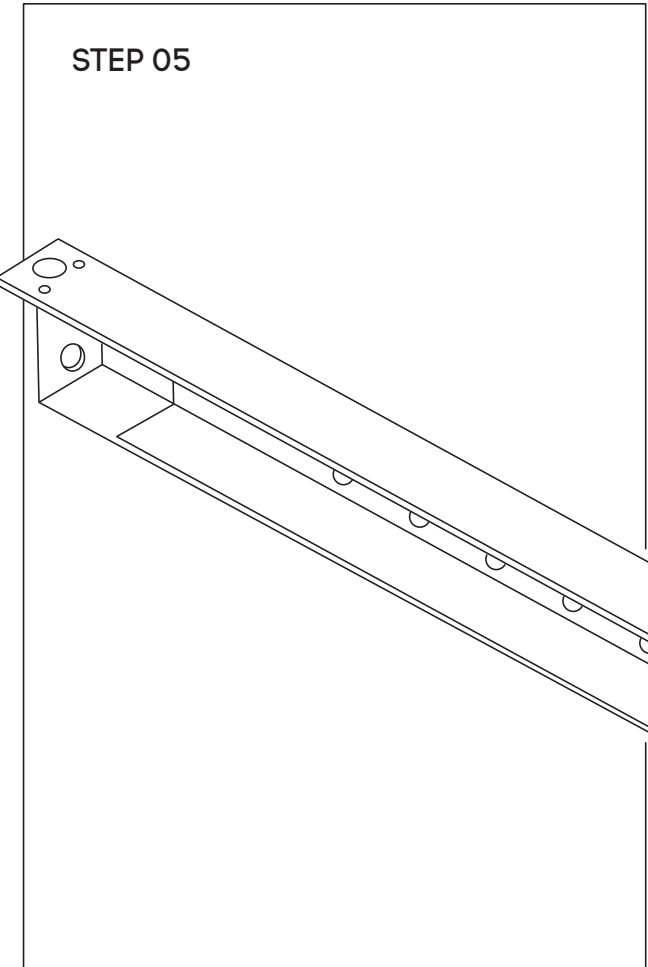
# Quadro A L-Shaped Desk



Using Allen Key provided, attach 2 plastic brackets per leg **(G)** (as per picture above) using M6x20MM **(K)** Socket head screw

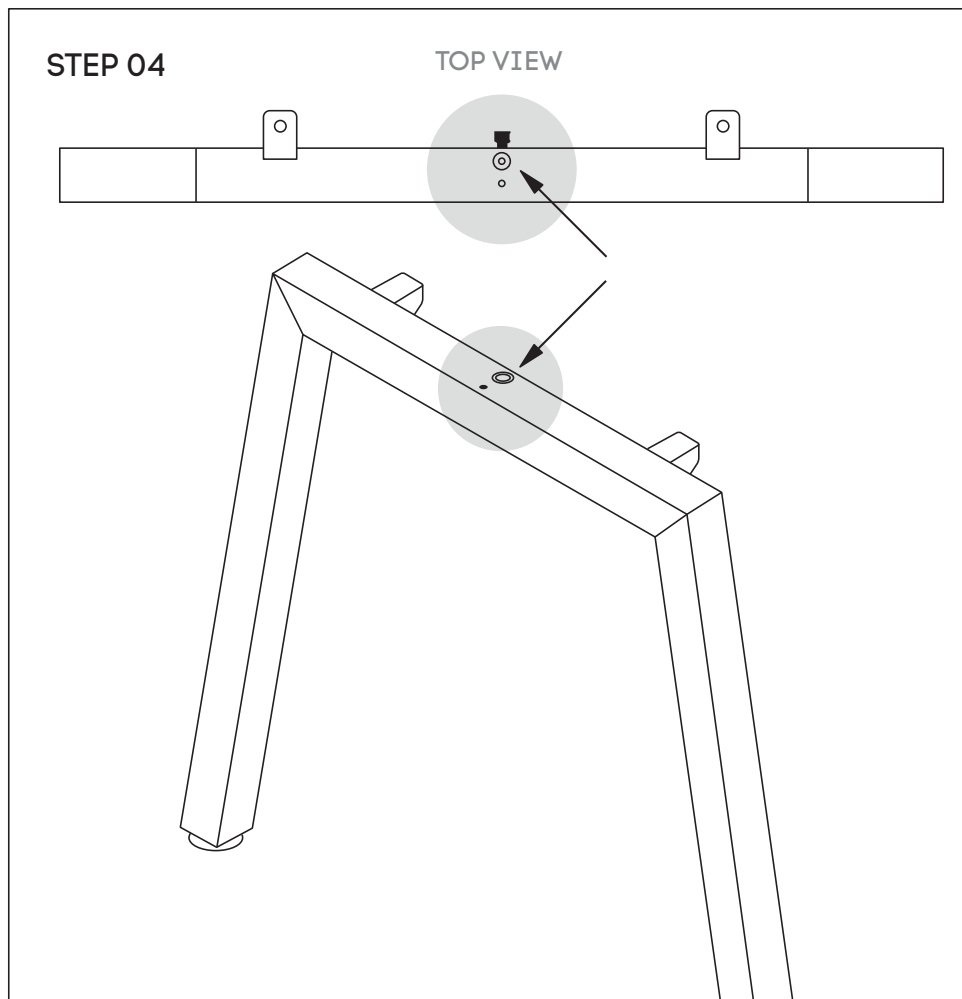


Using Allen Key provided, attach M8x20MM Socket head **(J)**- screw socket half way into leg for both legs **(C)**

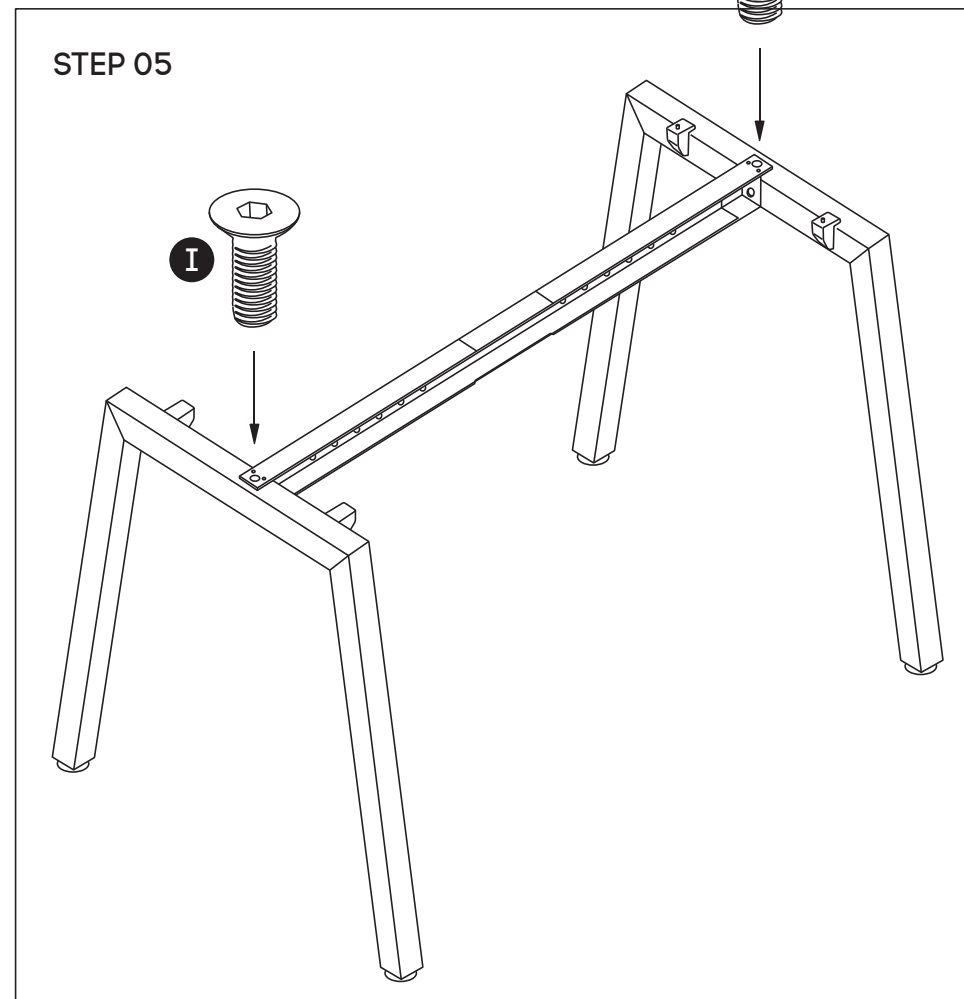


Use fixed beam **(E)** and secure beam using screws provided.

# Quadro A L-Shaped Desk



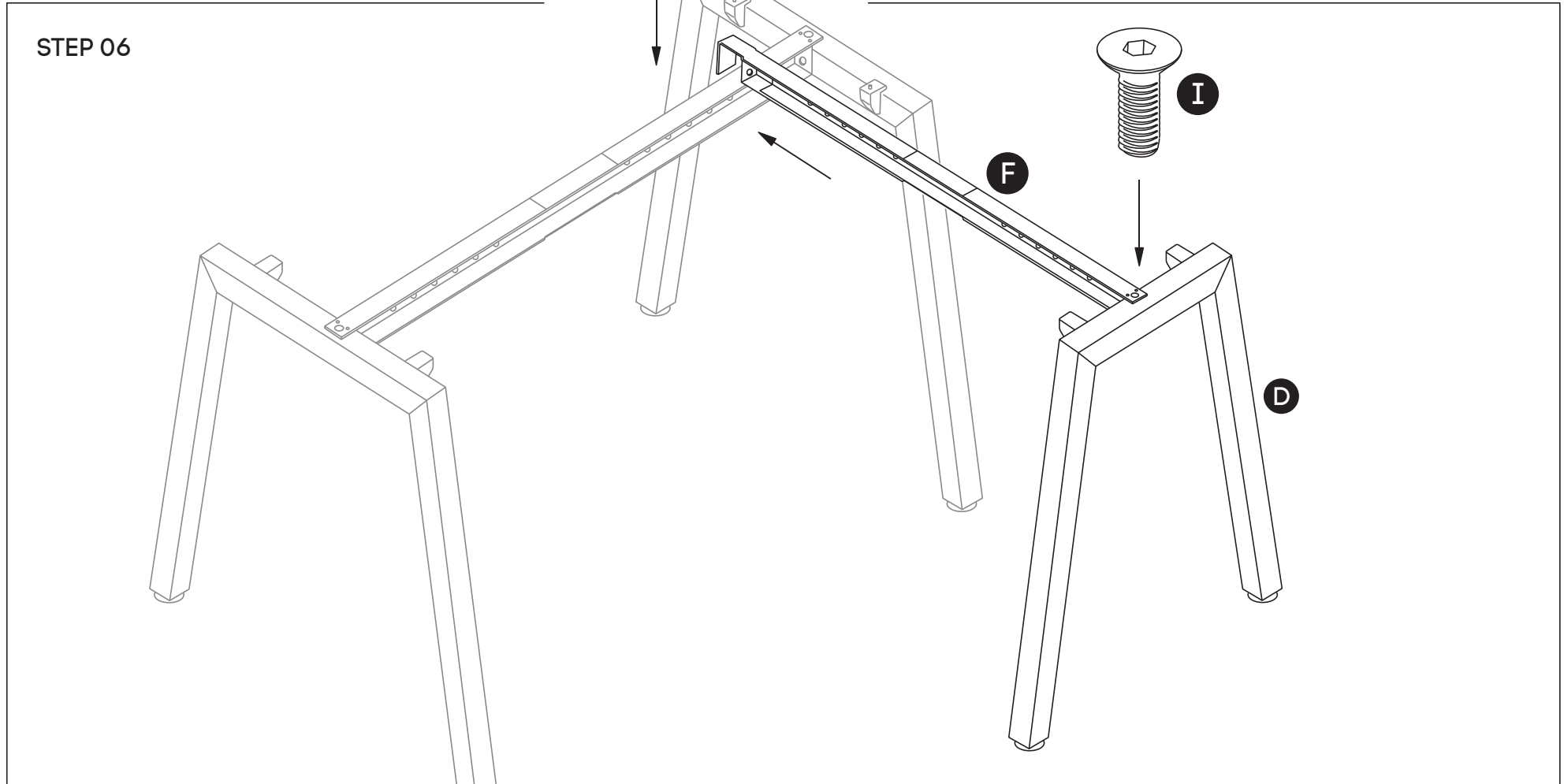
Attach beam **(E)** to legs **(C)** using nut insert in legs.  
See point attached



Frame looks like this. Using Allen Key, attach beam **(E)** with Socket **(I)**

**Need help!** Call us on **1300 527 665**

# Quadro A L-Shaped Desk



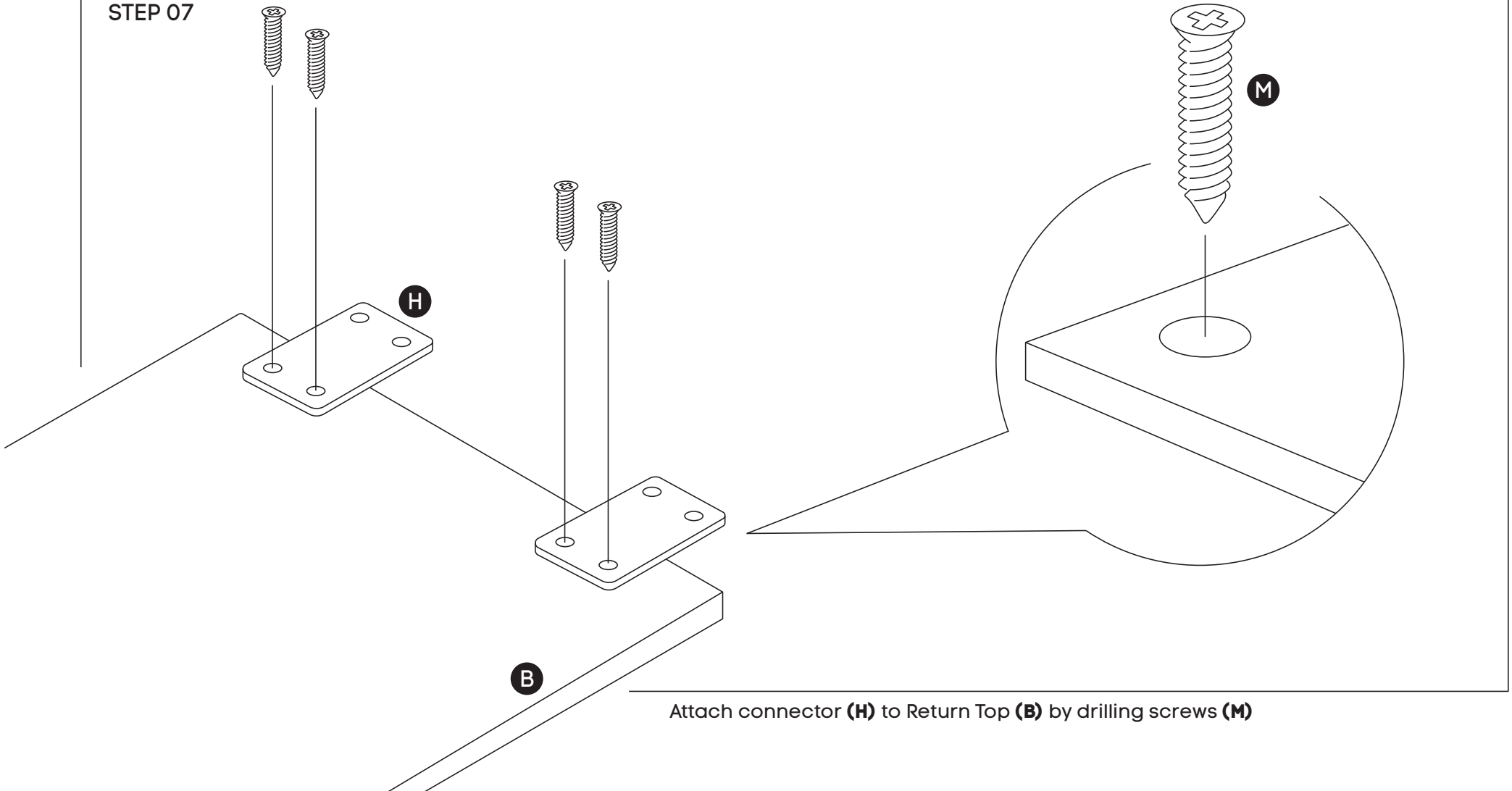
Now attach the return beam **(F)** to return leg **(D)** using nut insert in legs. See point attached.  
Then, connect the hook of the return beam to the beam of the main structure.

**Need help!**

Call us on **1300 527 665**

# Quadro A L-Shaped Desk

STEP 07

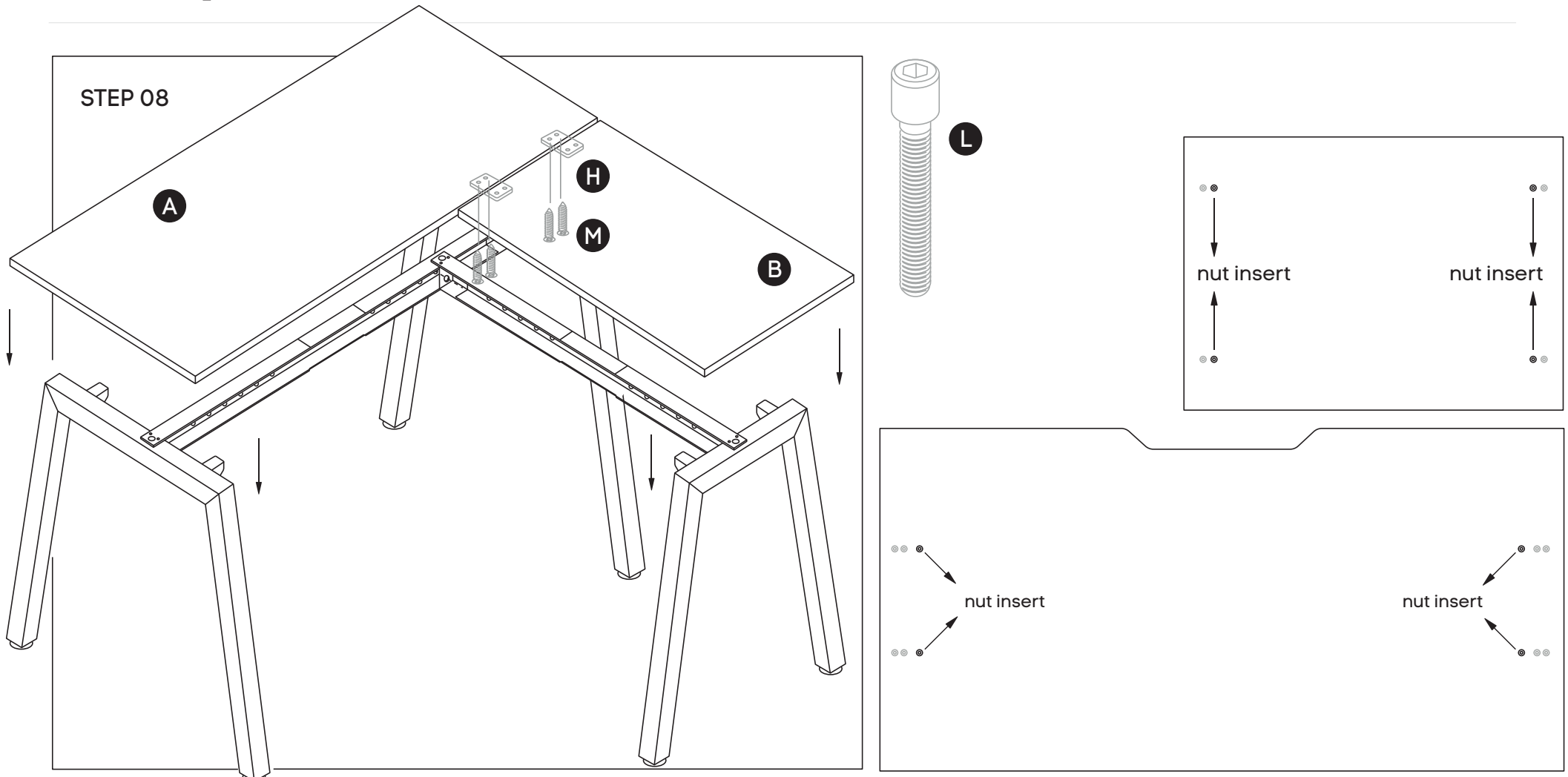


Attach connector (H) to Return Top (B) by drilling screws (M)

**Need help!**

Call us on **1300 527 665**

# Quadro A L-Shaped Desk



Place table top **(A)** on top of frame - with cutout at the back of the desk. Using nut inserts in the desk, use M6x30mm socket **(L)** and attach desktop to the frame. Using nut inserts in the desktop, use M6x30mm socket **(L)** and attach desktop **(B)** to the frame. Once desktop are attached and secure to the frame, use woods screws and secure joiner plates to the underside of desktop A.

TABLE TOP  
BOTTOM VIEW

**Need help!** Call us on **1300 527 665**