

ASSEMBLY INSTRUCTIONS

Quadro A leg 4 person corner workstation H configuration

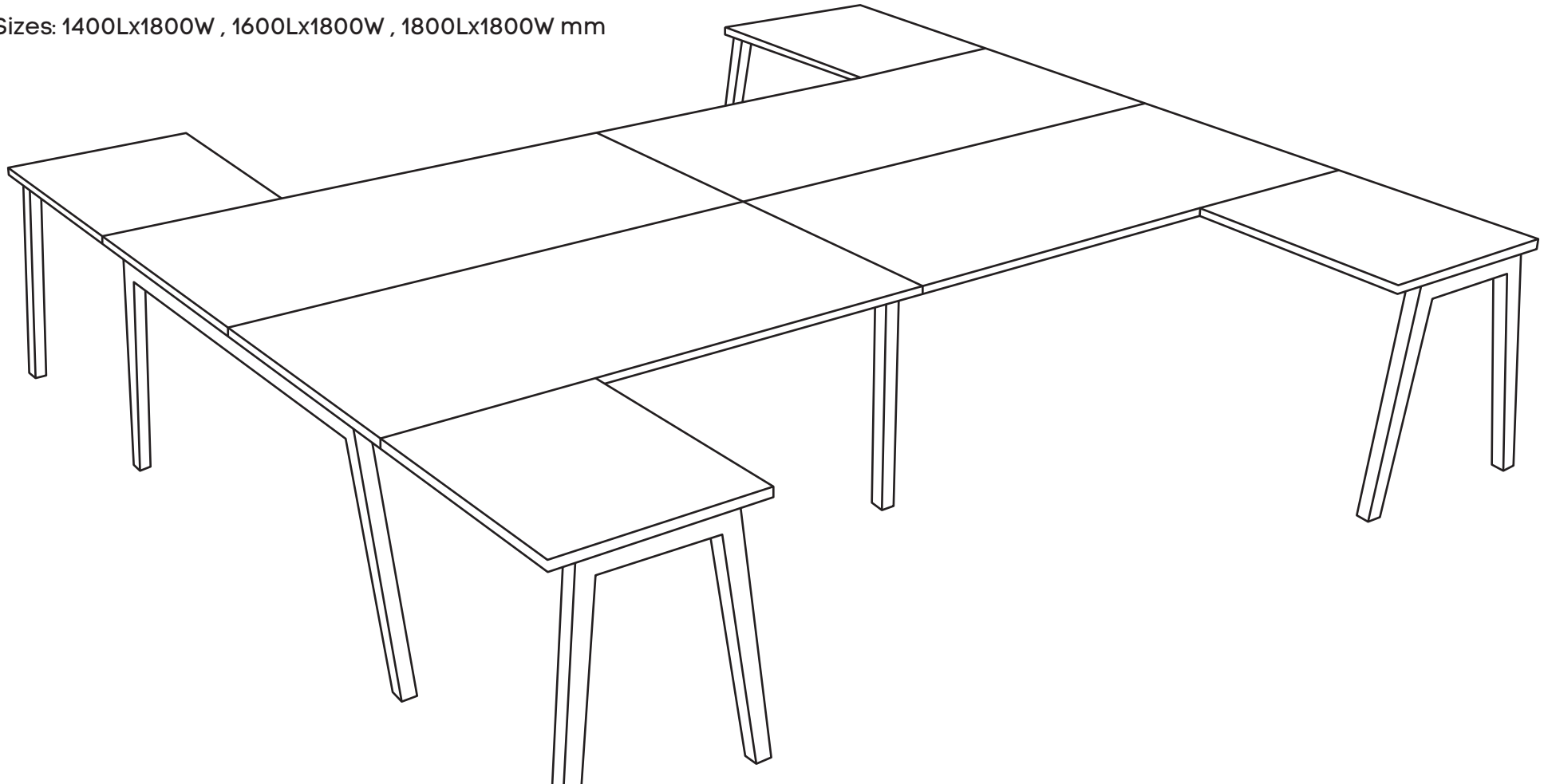
Sizes: 1400Lx1800W , 1600Lx1800W , 1800Lx1800W mm

www.jasonl.com.au


Need help!

Call us on
1300 527 665

jason.l
your office furniture mate



Tools Required: Power screwdriver; Allen key set (provided)

 2 persons required for installation

ASSEMBLY INSTRUCTIONS

Quadro A leg 4 person corner workstation

H configuration

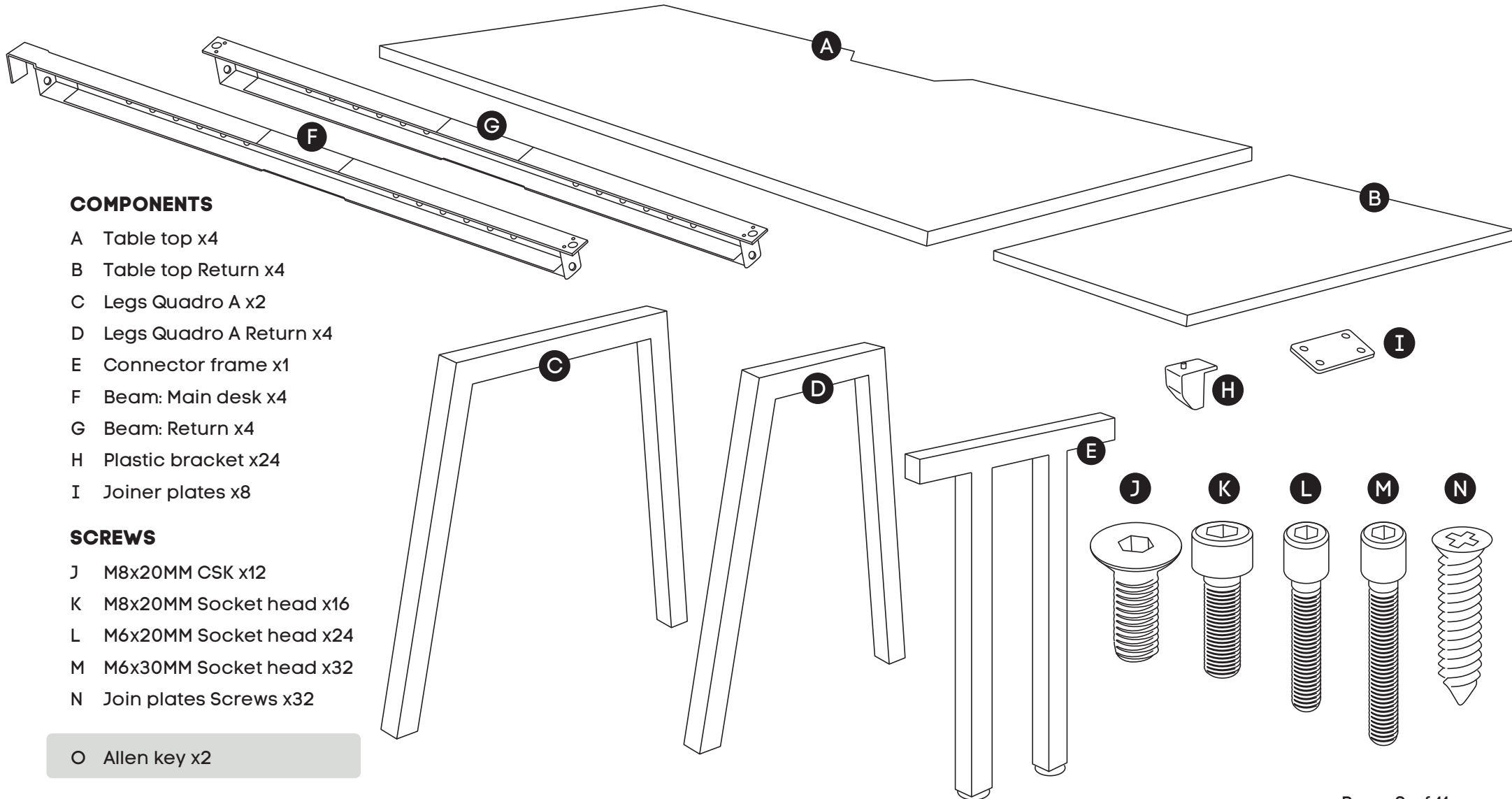
www.jasonl.com.au

Need help!
Call us on
1300 527 665

jason.l
your office furniture mate



Sizes: 1400Lx1800W , 1600Lx1800W , 1800Lx1800W mm



COMPONENTS

- A Table top x4
- B Table top Return x4
- C Legs Quadro A x2
- D Legs Quadro A Return x4
- E Connector frame x1
- F Beam: Main desk x4
- G Beam: Return x4
- H Plastic bracket x24
- I Joiner plates x8

SCREWS

- J M8x20MM CSK x12
- K M8x20MM Socket head x16
- L M6x20MM Socket head x24
- M M6x30MM Socket head x32
- N Join plates Screws x32

○ Allen key x2

ASSEMBLY INSTRUCTIONS

Quadro A leg 4 person corner workstation H configuration

Sizes: 1400Lx1800W , 1600Lx1800W , 1800Lx1800W mm

www.jasonl.com.au

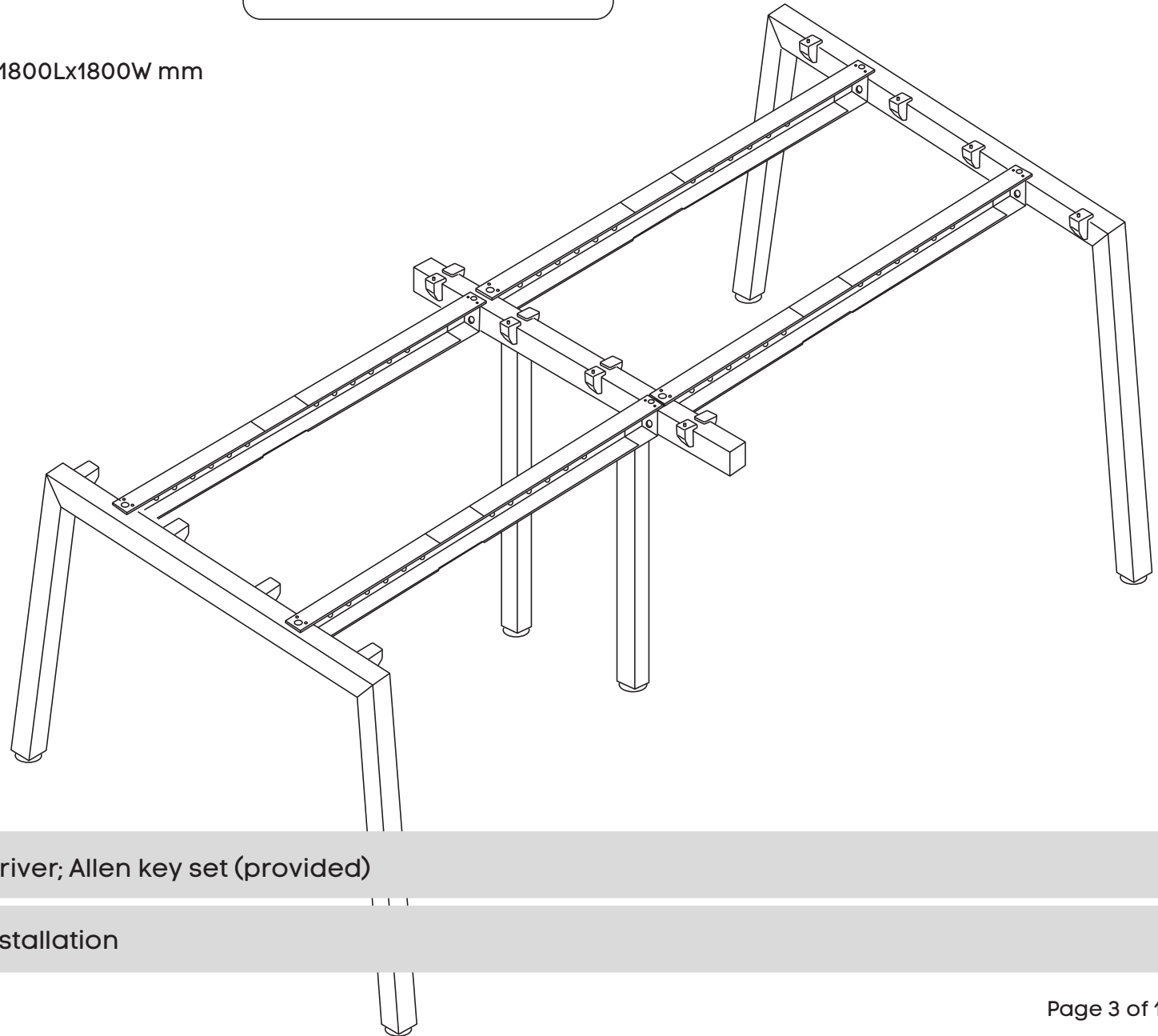
Need help!

Call us on
1300 527 665


jason.l
your office furniture mate



**First we will set up the
workstation frame
without the returns**



Tools Required: Power screwdriver; Allen key set (provided)

 2 persons required for installation

ASSEMBLY INSTRUCTIONS

Quadro A leg 4 person corner workstation

H configuration

www.jasonl.com.au

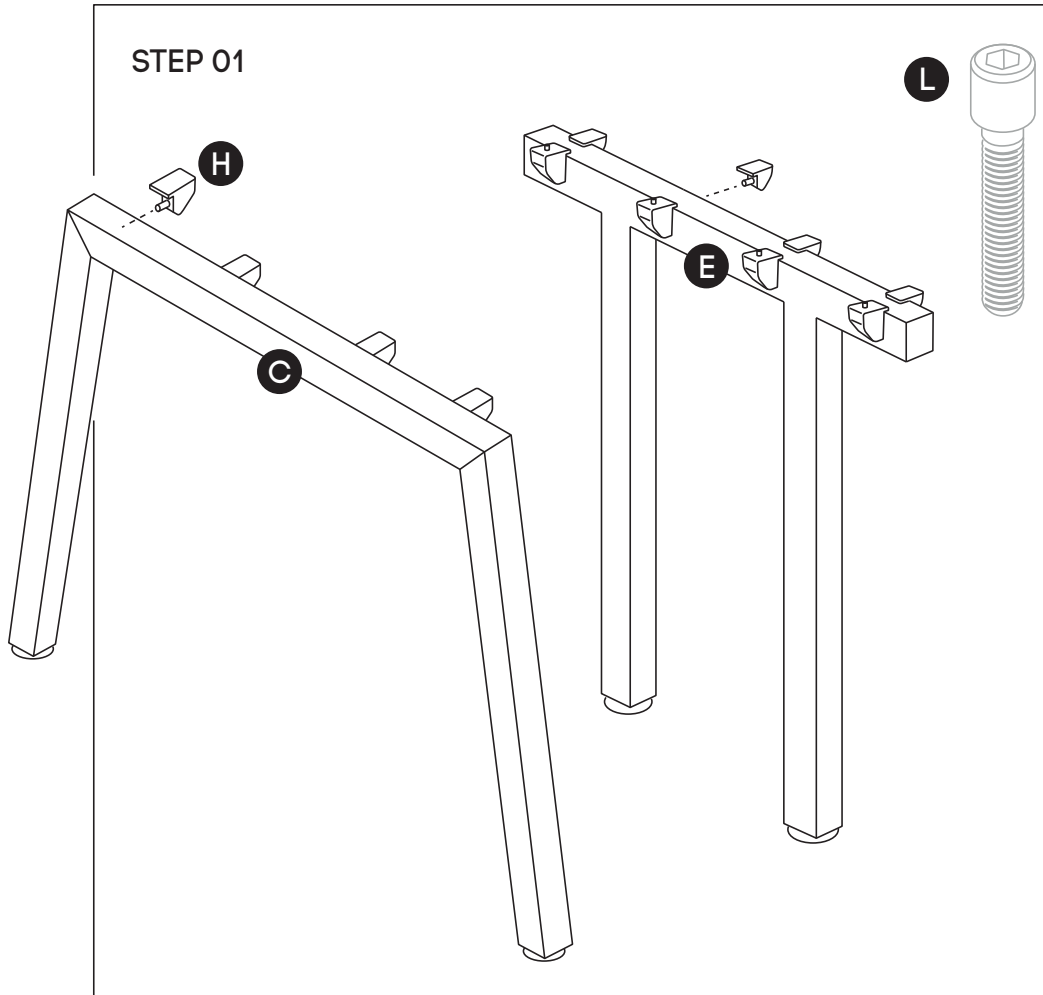
Need help!

Call us on
1300 527 665

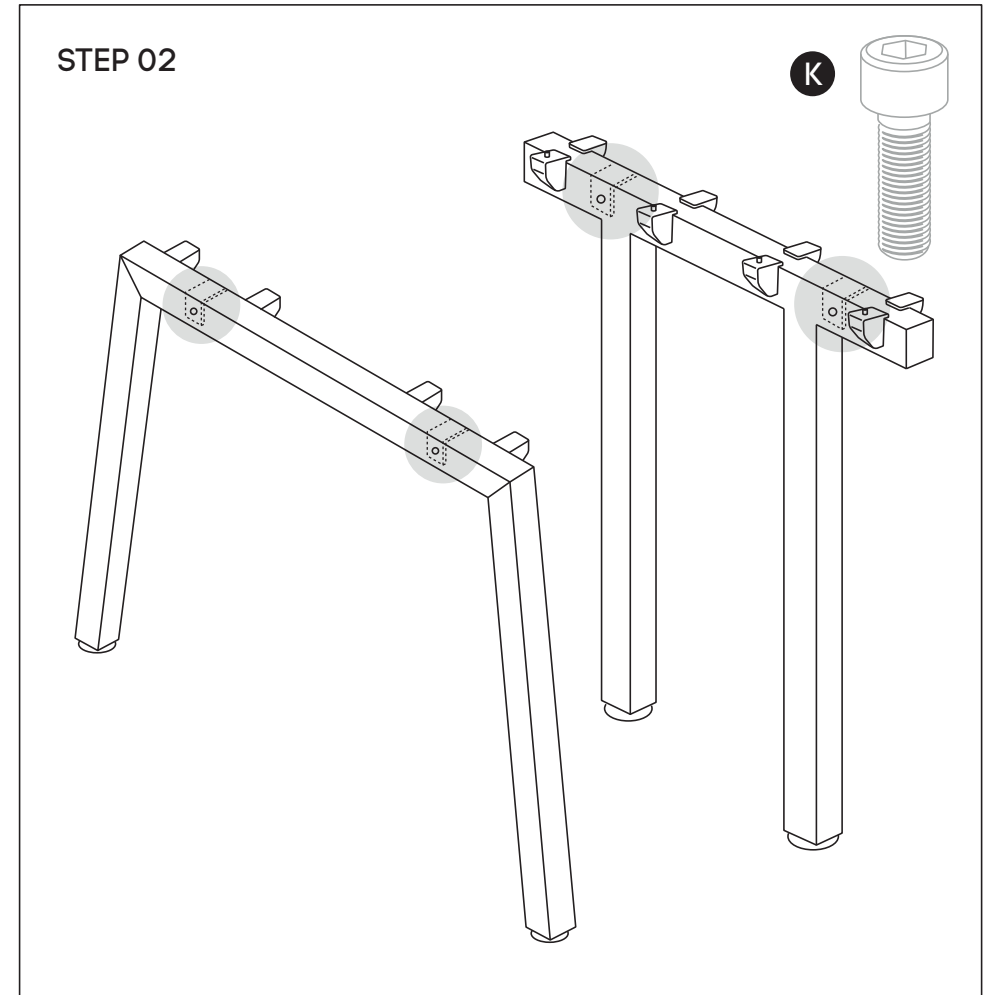
jason.l
your office furniture mate



Sizes: 1400Lx1800W , 1600Lx1800W , 1800Lx1800W mm



Using Allen Key provided, attach 4 plastic brackets (H) per leg (C) (as per picture above) using M6x20MM (L) Socket head screw. Do the same with Connector frame (E).



Using Allen Key provided, attach M8x20MM Socket head (K)-screw socket half way into leg for both legs (C) and into Connector frame (E).

ASSEMBLY INSTRUCTIONS

Quadro A leg 4 person corner workstation H configuration

www.jasonl.com.au

Need help!

Call us on
1300 527 665

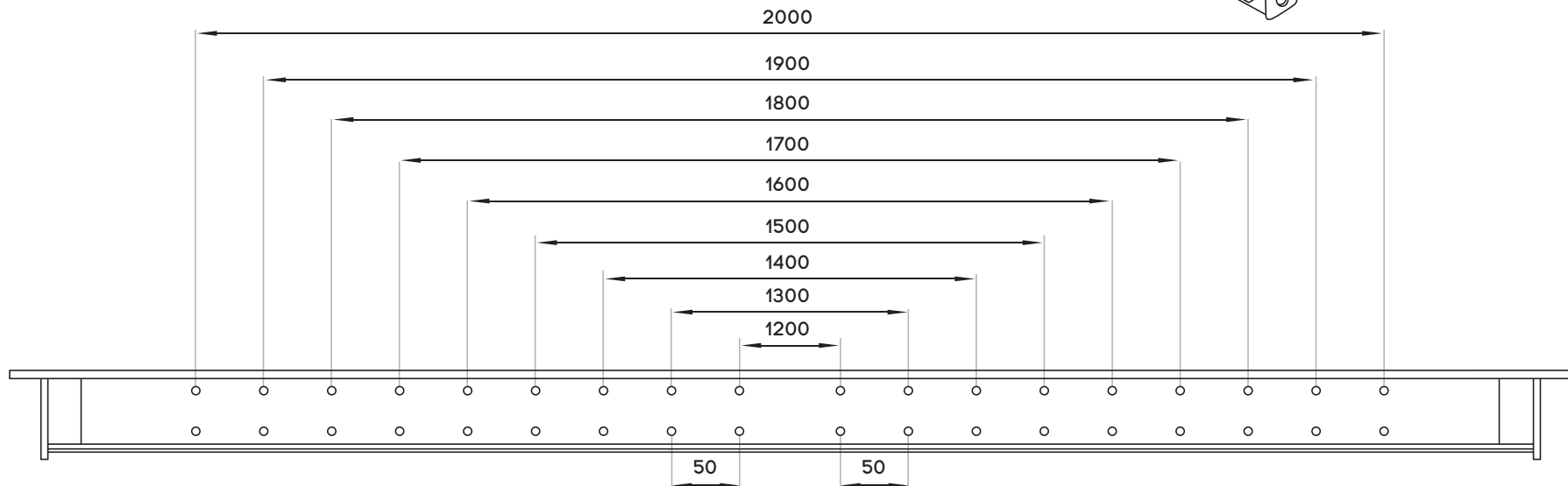
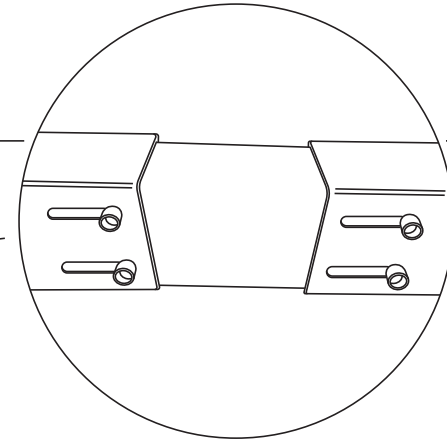
jason.l
your office furniture mate



Sizes: 1400Lx1800W , 1600Lx1800W , 1800Lx1800W mm

STEP 03

Adjust extendable beam **(F)** to desired length using markers and secure beam at that length using screws provided



ASSEMBLY INSTRUCTIONS

Quadro A leg 4 person corner workstation

H configuration

www.jasonl.com.au

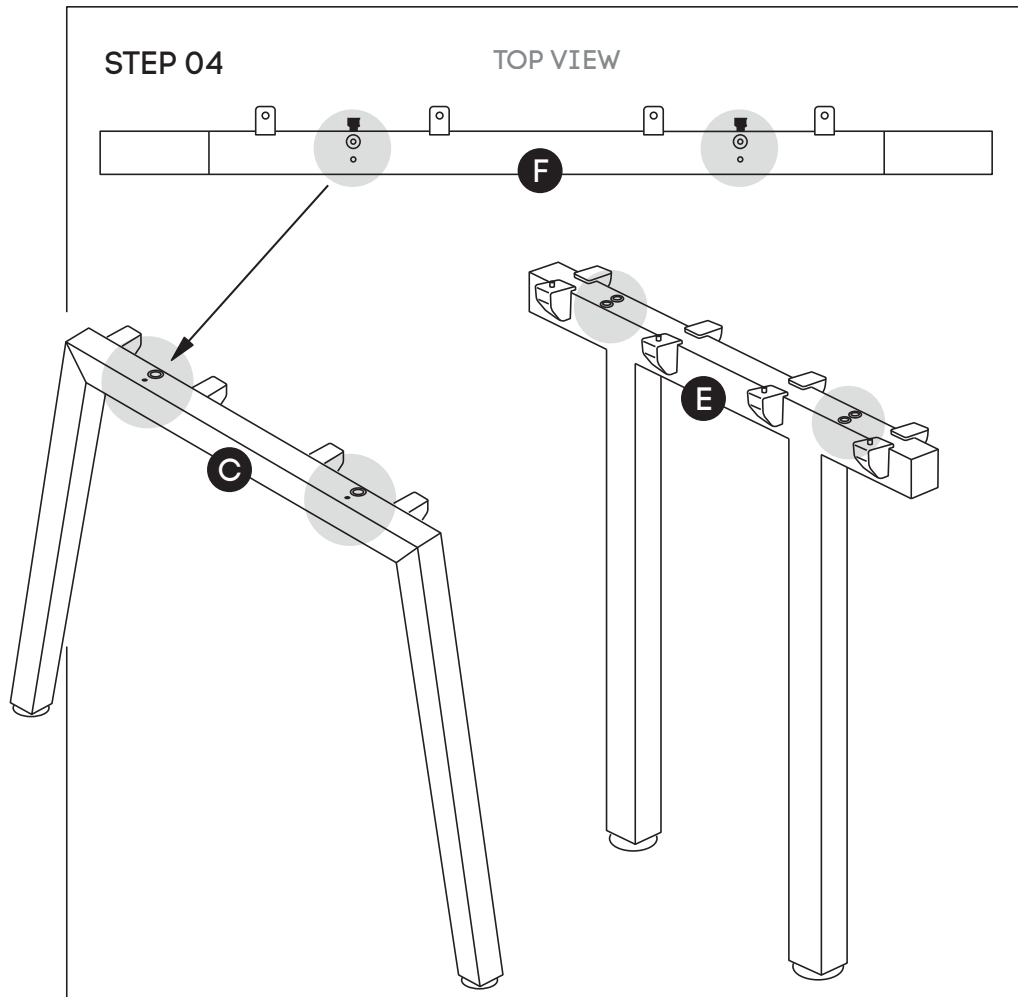
Need help!

Call us on
1300 527 665

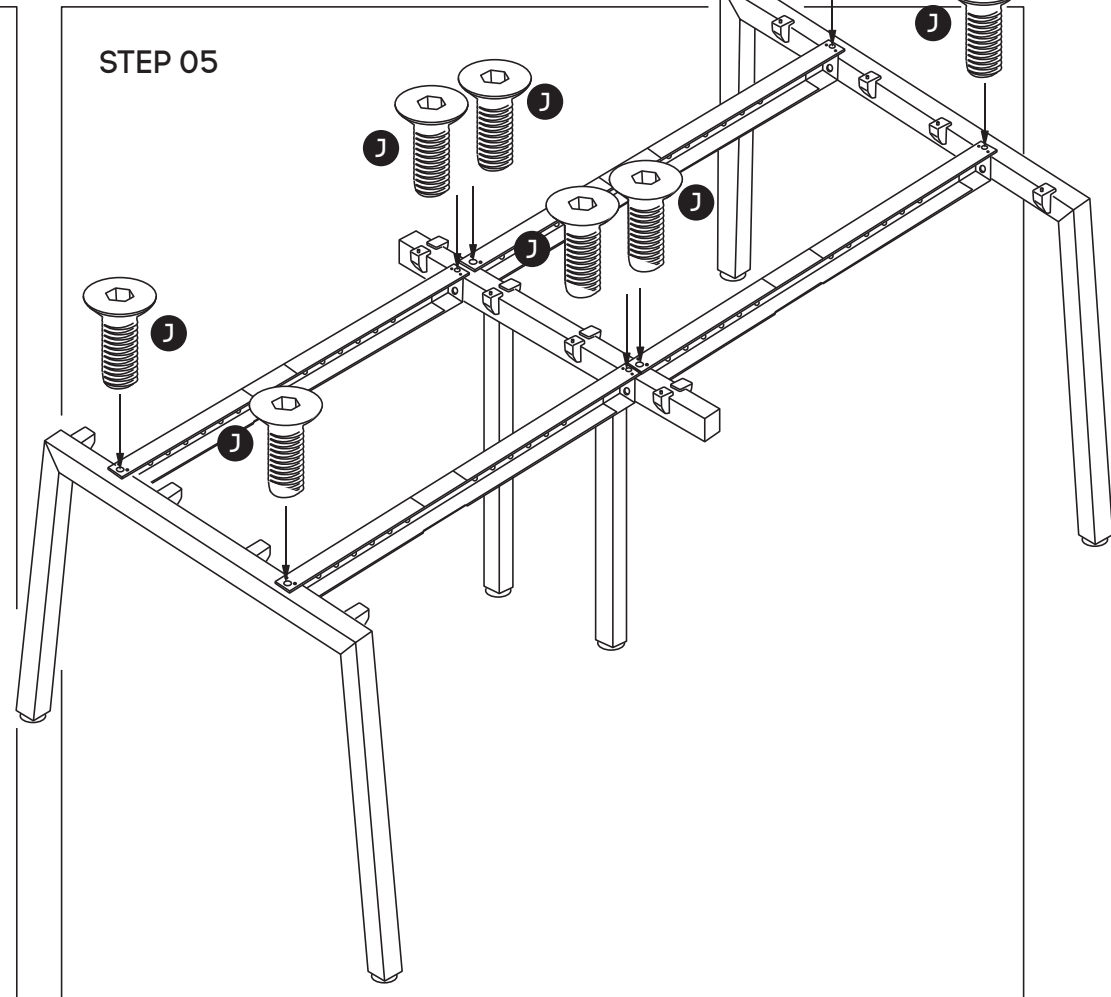
jason.l
your office furniture mate



Sizes: 1400Lx1800W , 1600Lx1800W , 1800Lx1800W mm



Attach beam (**F**) to legs (**C**) and Connector frame (**E**) using nut insert in legs. See point attached



Frame looks like this. Using Allen Key, attach beam (**F**) with Socket (**J**)

ASSEMBLY INSTRUCTIONS

Quadro A leg 4 person corner workstation H configuration

Sizes: 1400Lx1800W , 1600Lx1800W , 1800Lx1800W mm

www.jasonl.com.au

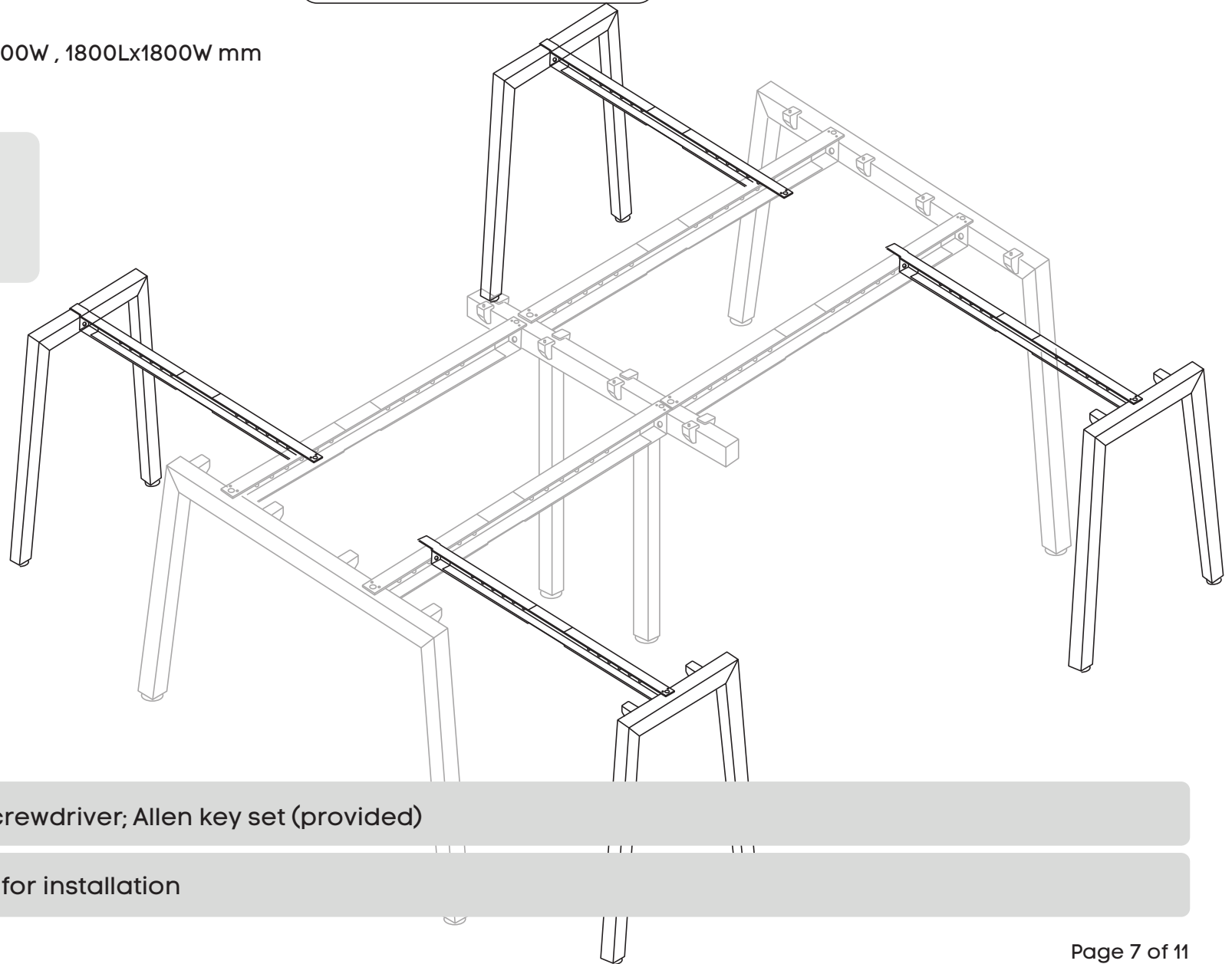
Need help!

Call us on
1300 527 665


jason.l
your office furniture mate



**We can now add the
return frames to the
main workstation**



Tools Required: Power screwdriver; Allen key set (provided)

 2 persons required for installation

ASSEMBLY INSTRUCTIONS

Quadro A leg 4 person corner workstation H configuration

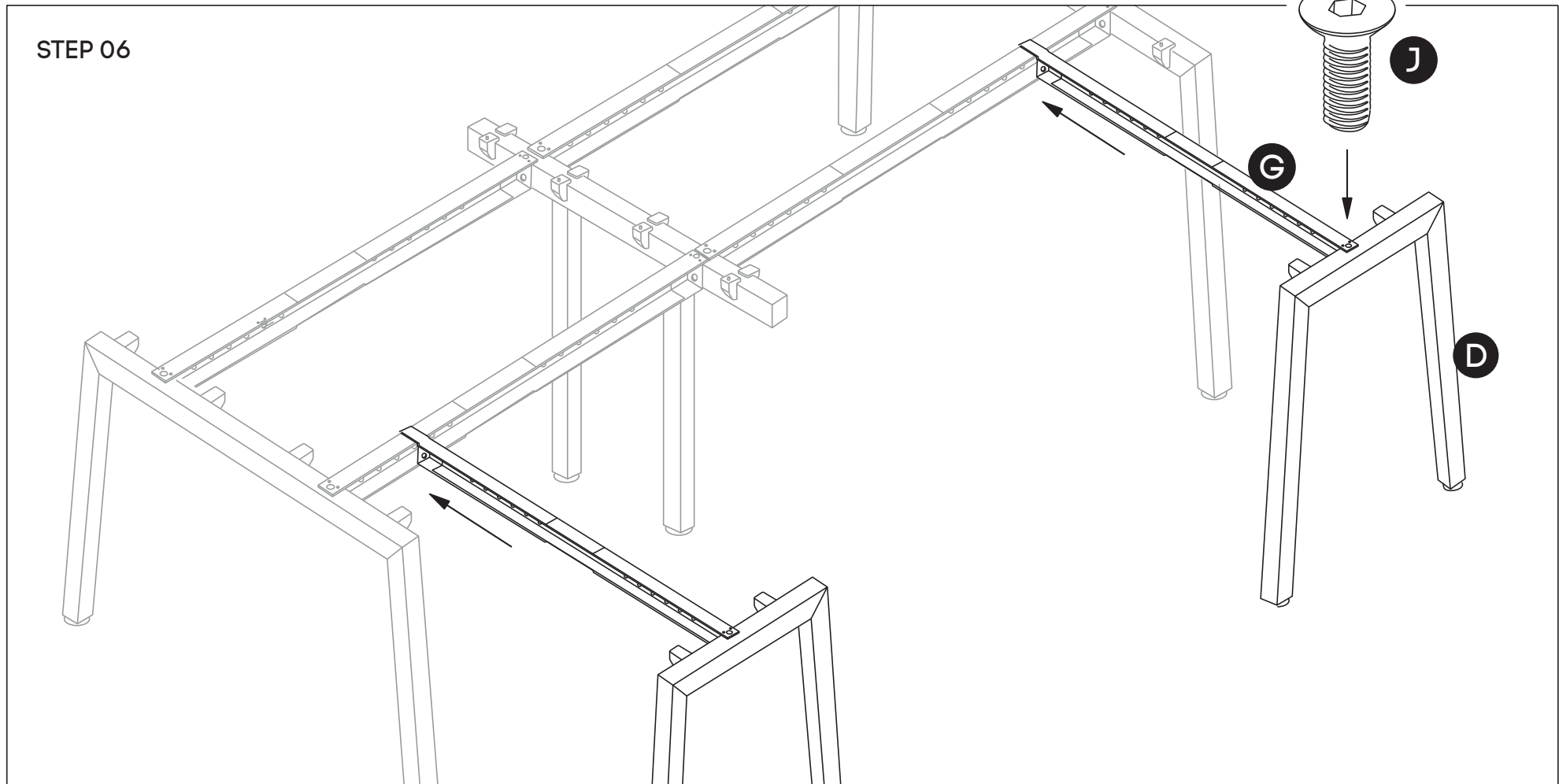
www.jasonl.com.au

Need help!
Call us on
1300 527 665

jason.l
your office furniture mate



Sizes: 1400Lx1800W , 1600Lx1800W , 1800Lx1800W mm



Now attach the return beams (**G**) to return legs (**D**) using nut insert in legs. See point attached.
Then, connect the hook of the return beam to the beam of the main structure.

ASSEMBLY INSTRUCTIONS

Quadro A leg 4 person corner workstation H configuration

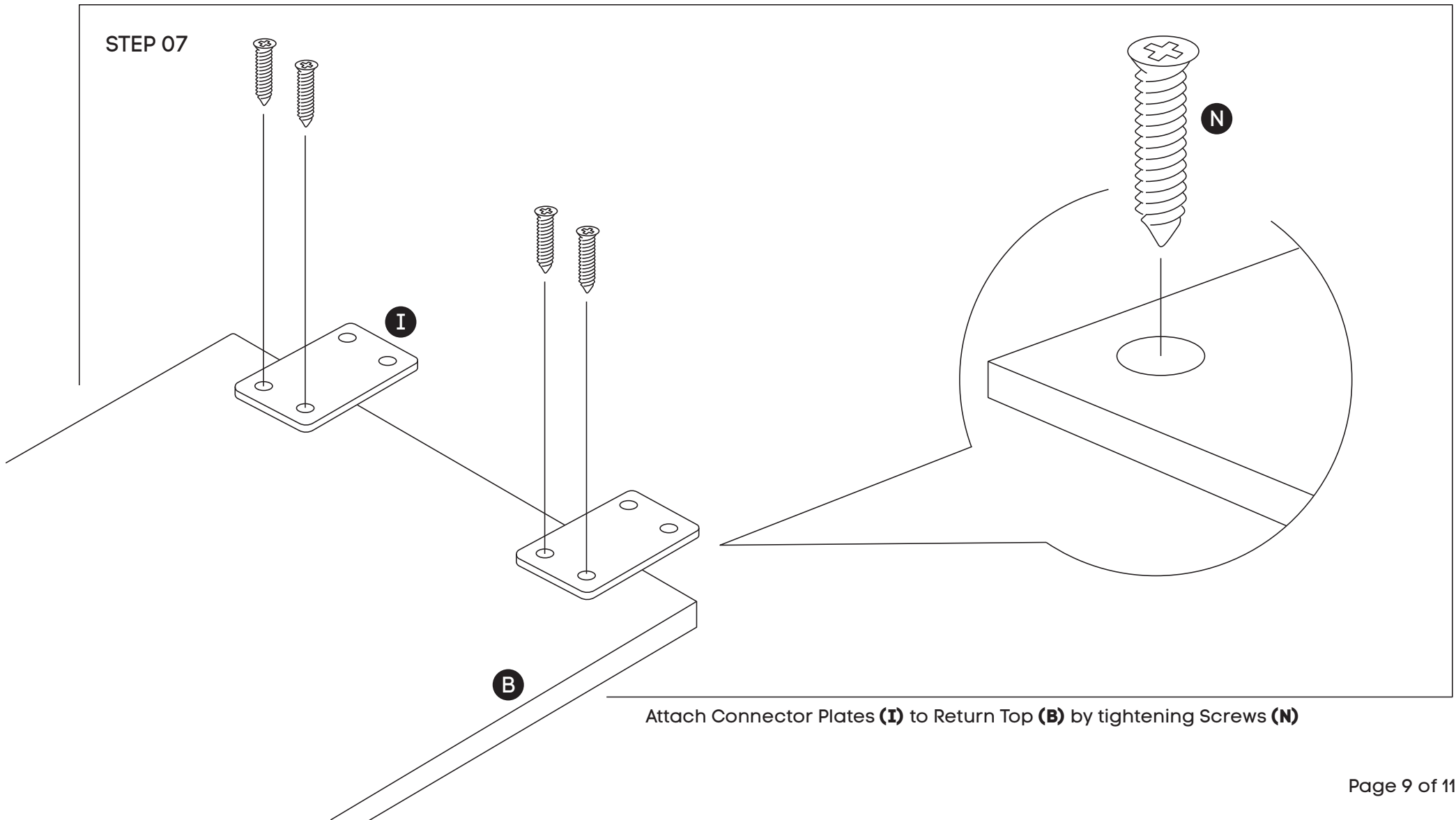
www.jasonl.com.au

Need help!
Call us on
1300 527 665

jason.l
your office furniture mate



Sizes: 1400Lx1800W , 1600Lx1800W , 1800Lx1800W mm



ASSEMBLY INSTRUCTIONS

Quadro A leg 4 person corner workstation

H configuration

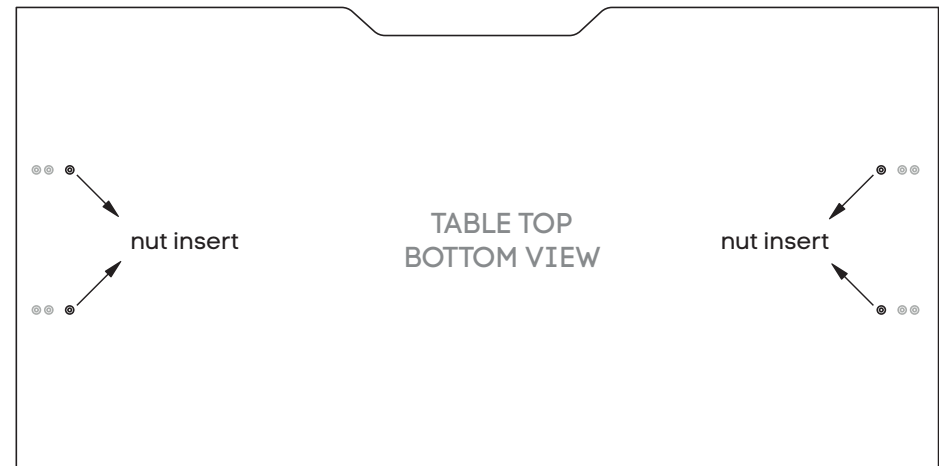
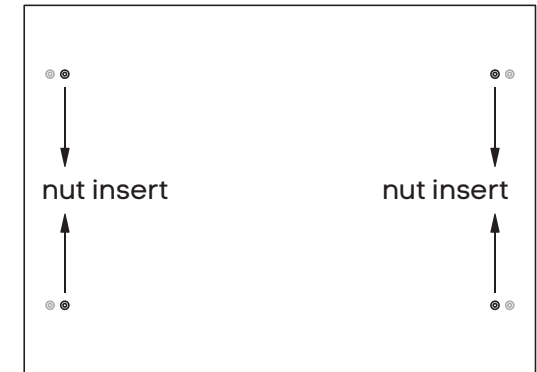
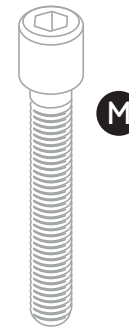
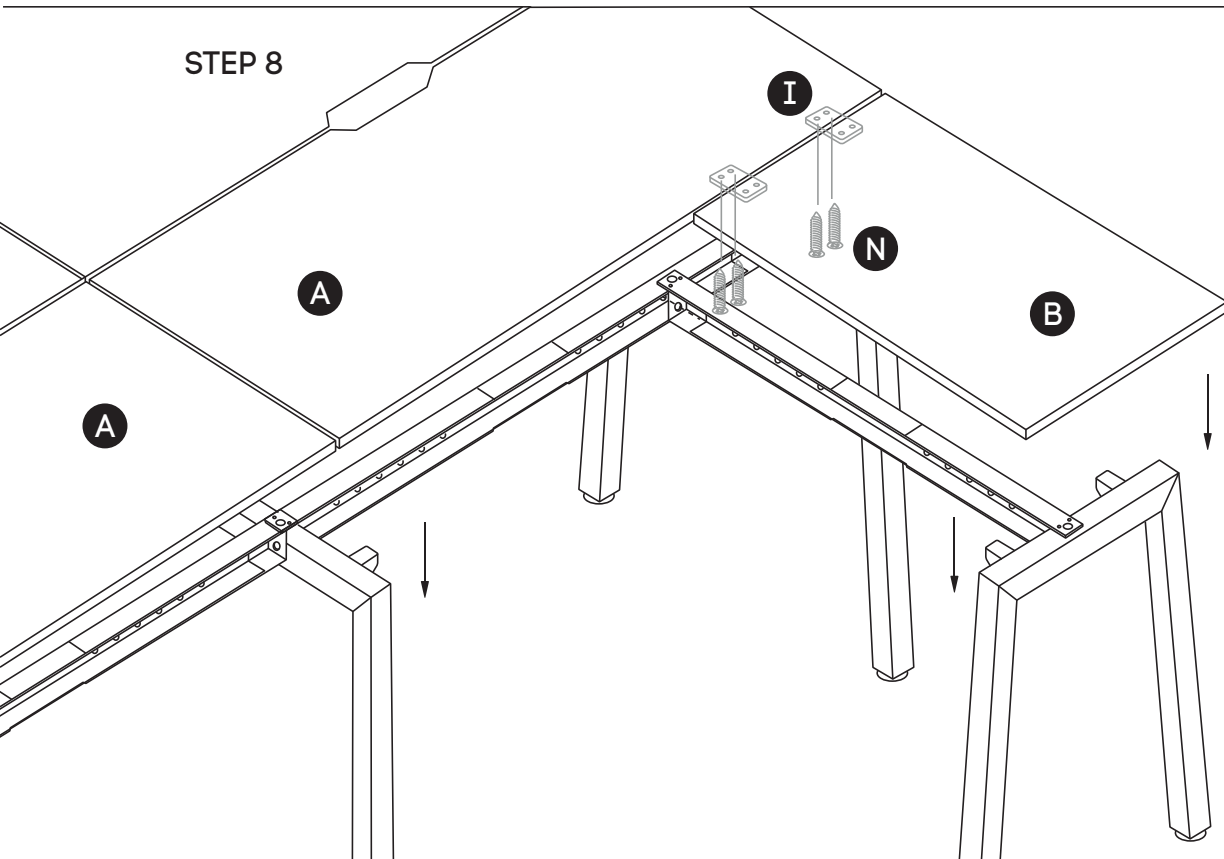
www.jasonl.com.au

Need help!
Call us on
1300 527 665

jason.l
your office furniture mate



Sizes: 1400Lx1800W , 1600Lx1800W , 1800Lx1800W mm



- Place table tops **(A)** on top of frame - with cutout at the back of the desk.
- Using nut inserts in the desktop, use M6x30mm socket **(M)** and attach desktop to the frame.
- Using nut inserts in the desktop, use M6x30mm socket **(M)** and attach return desktops **(B)** to the frame.
- Once desktop are attached and secure to the frame, use woods screws **(N)** and secure joiner plates **(I)** to the underside of desktop A.

ASSEMBLY INSTRUCTIONS

Quadro A leg 4 person corner workstation H configuration

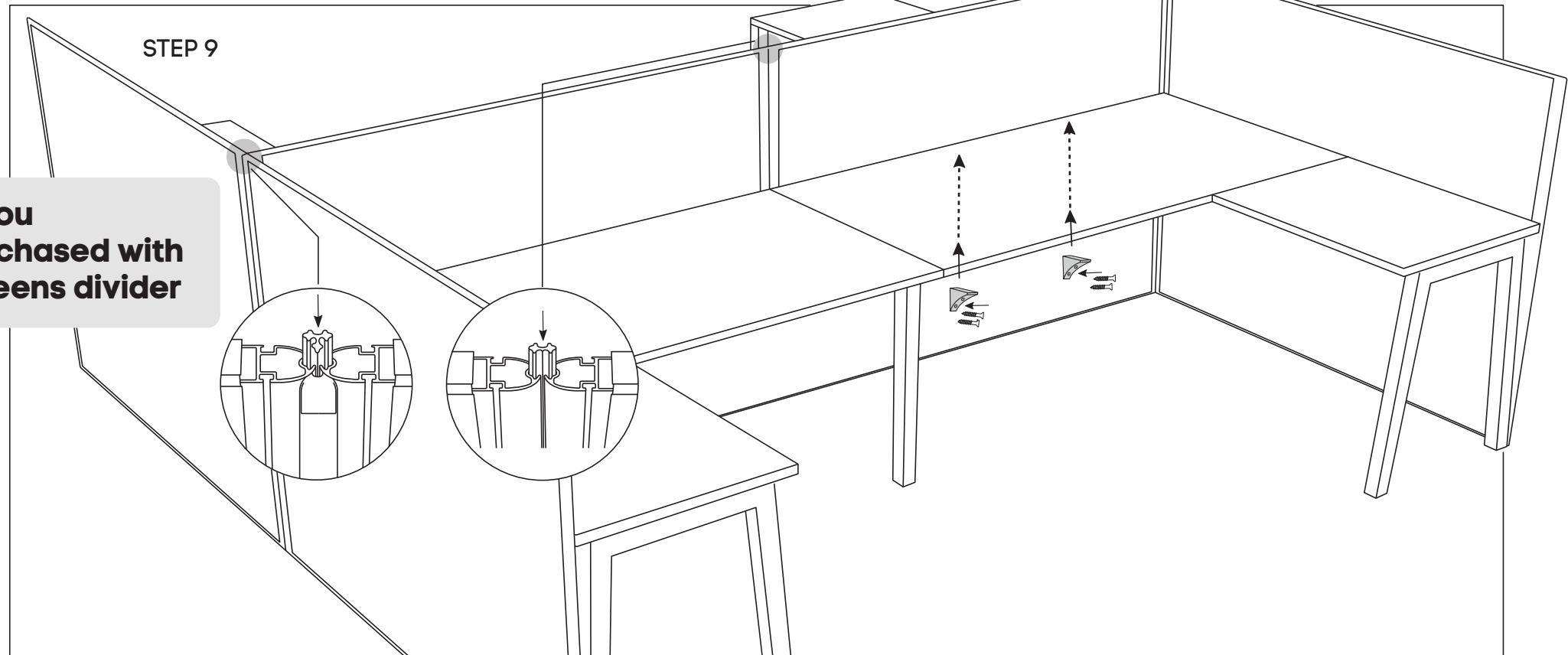
Sizes: 1400Lx1800W , 1600Lx1800W , 1800Lx1800W mm

www.jasonl.com.au

Need help!

Call us on
1300 527 665

jason.l
your office furniture mate



Floor based screen divider assembly instruction:

- Bring partition towards one another as on the picture. Using an Allen key remove top caps from the four screens uprights where they meet (circles painted in gray).
- Slide 2 way connectors rod - down between the 2 centre screens and slide the 3 way 90 degree connector rod -down between the end screens.
- Under the desktops, use I-shaped panel brackets to secure the screens to the table tops **(A)(B)**. Place two brackets in each screen.