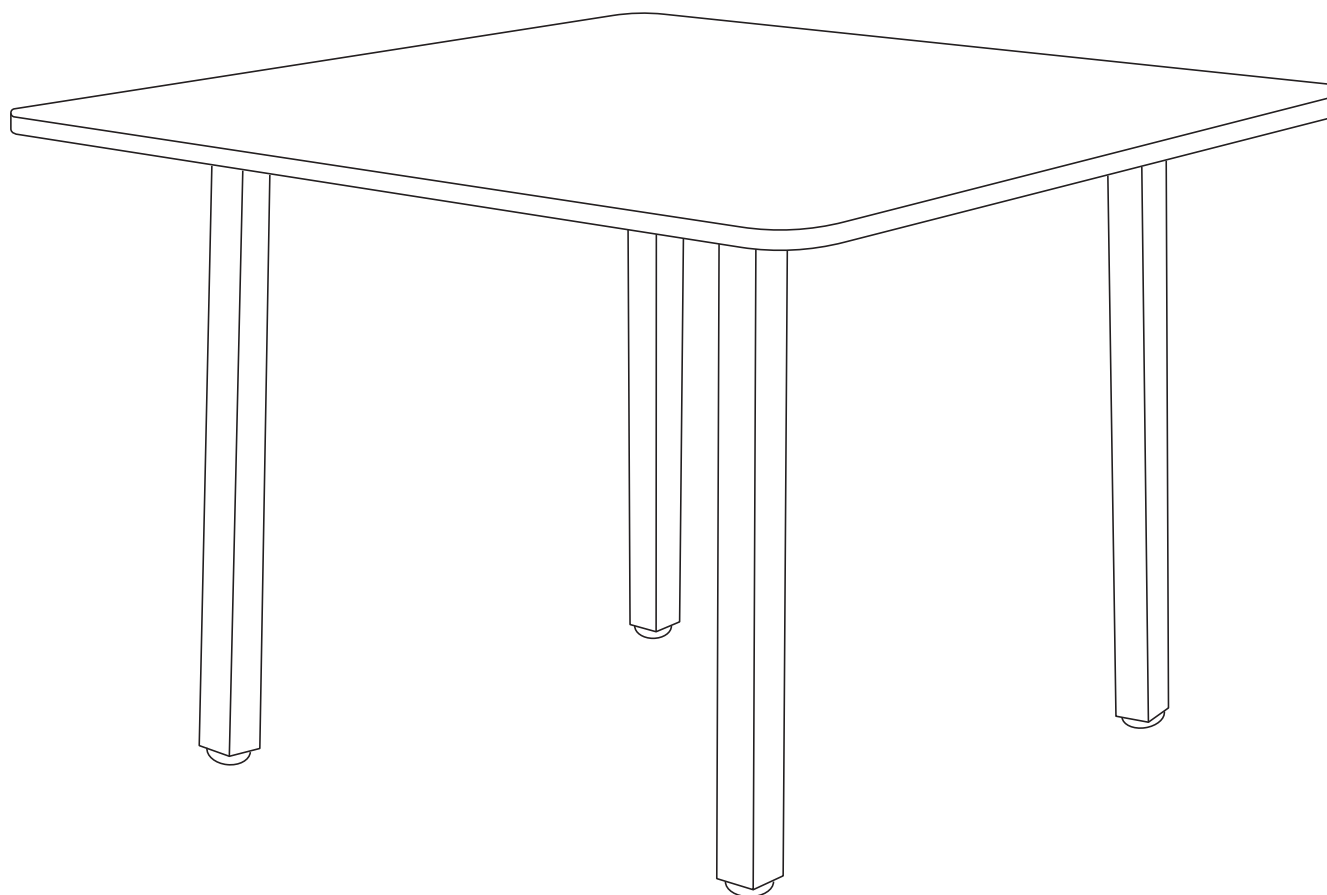



Quadro Square Boardroom table



Sizes:
1100x1100

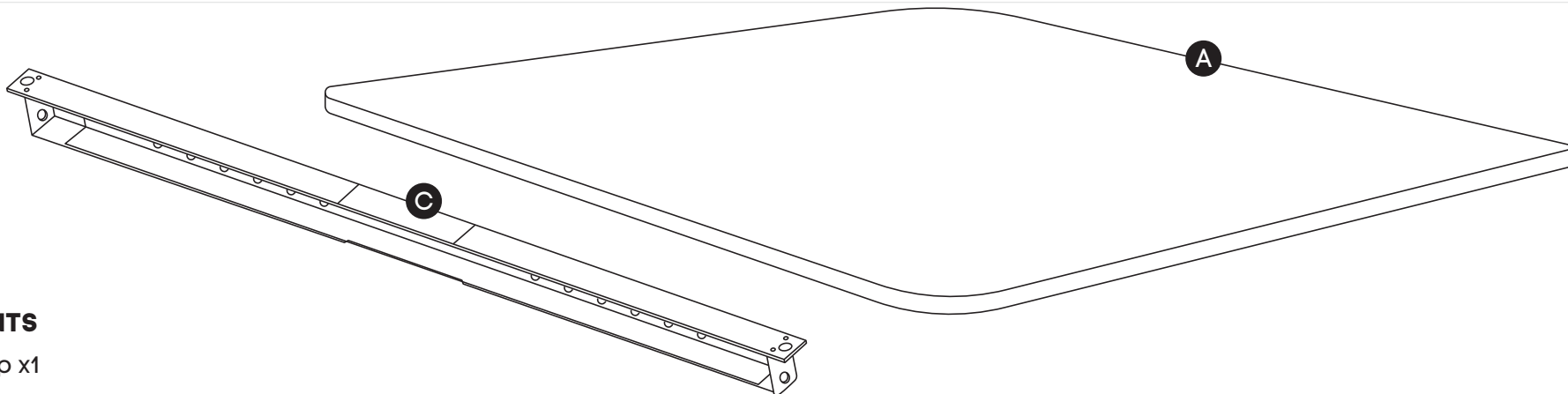
Tools Required: Power screwdriver; Allen key set (provided)

 2 persons required for installation

Need help!

Call us on **1300 527 665**

Quadro Square Boardroom table



COMPONENTS

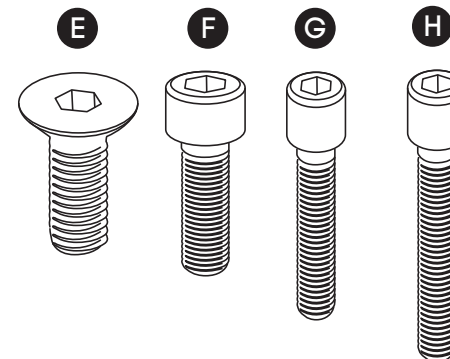
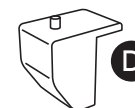
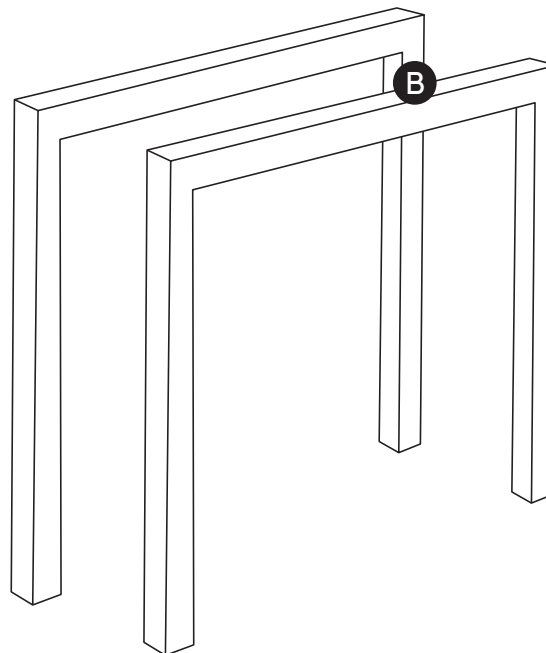
- A Table top x1
- B Leg Quadro Square x2
- C Beam x1 *
- D Plastic bracket x4

SCREWS

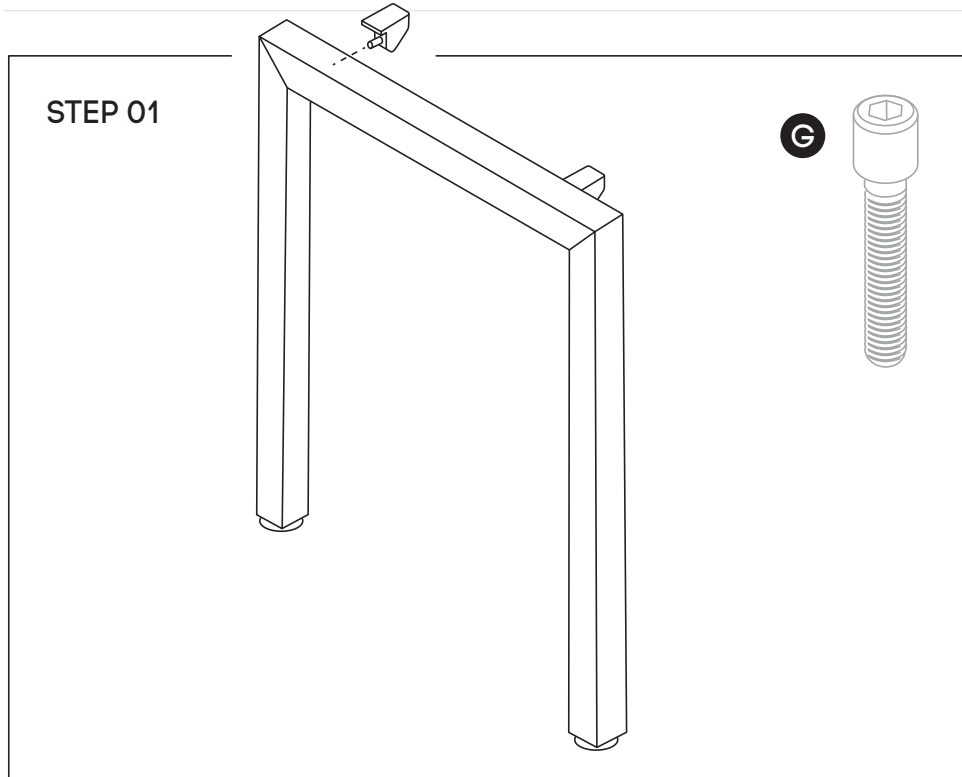
- E M8x20MM CSK x2
- F M8x20MM Socket head x2
- G M6x20MM Socket head x4
- H M6x30mm Socket head x 4
or M6x30 Wood screws x 4 and washers

- I Allen key x2

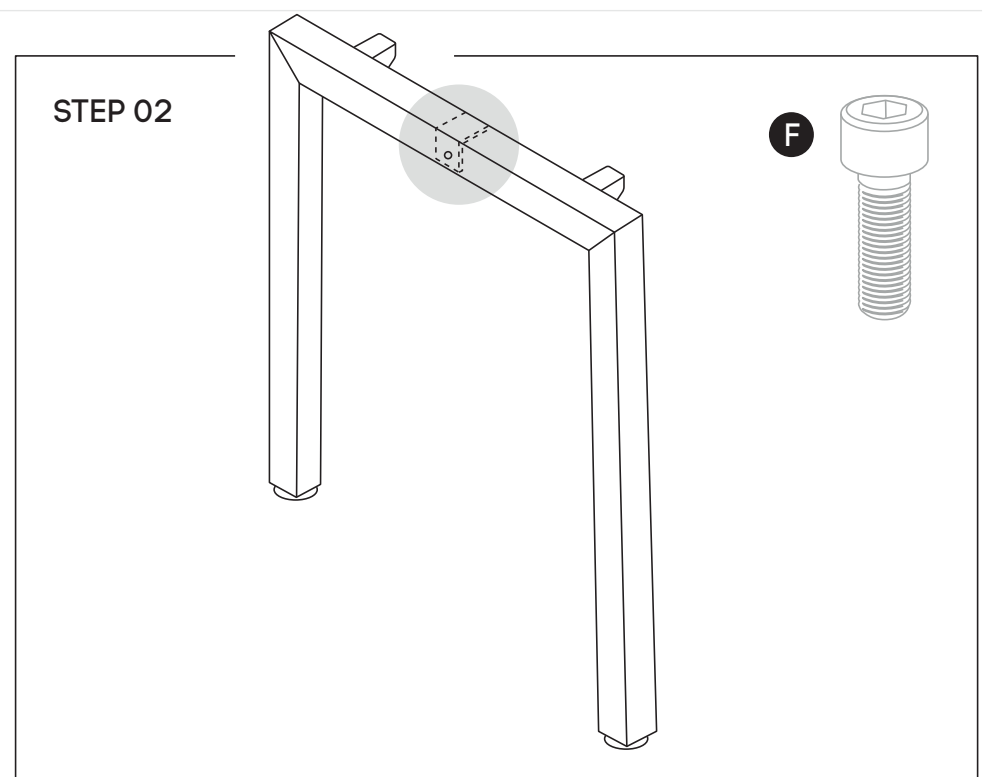
* Colour of the beam is always black, regardless desk frame colour.



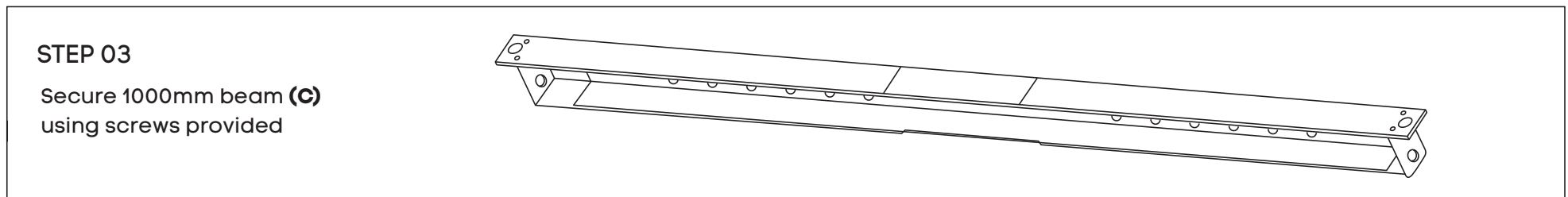
Quadro Square Boardroom table



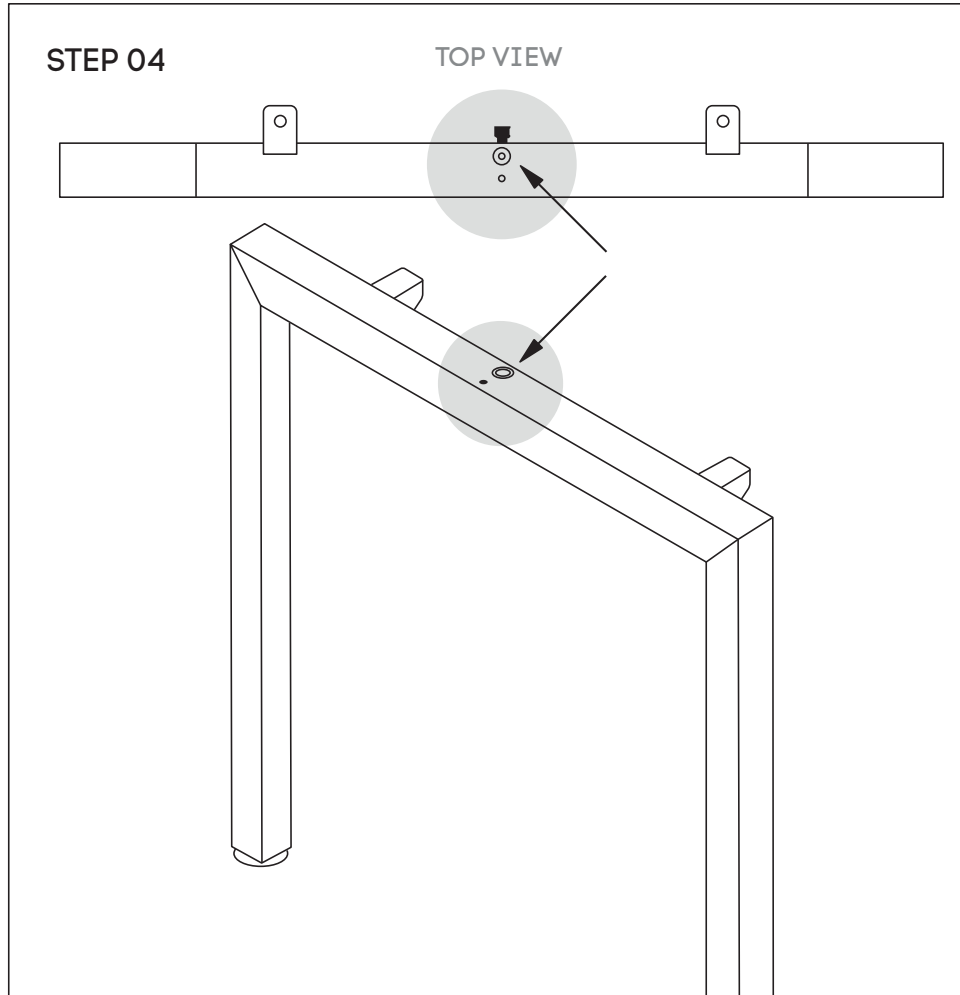
Using Allen Key provided, attach 2 plastic brackets per leg **(D)** (as per picture above) using M6x20MM **(G)** Socket head screw



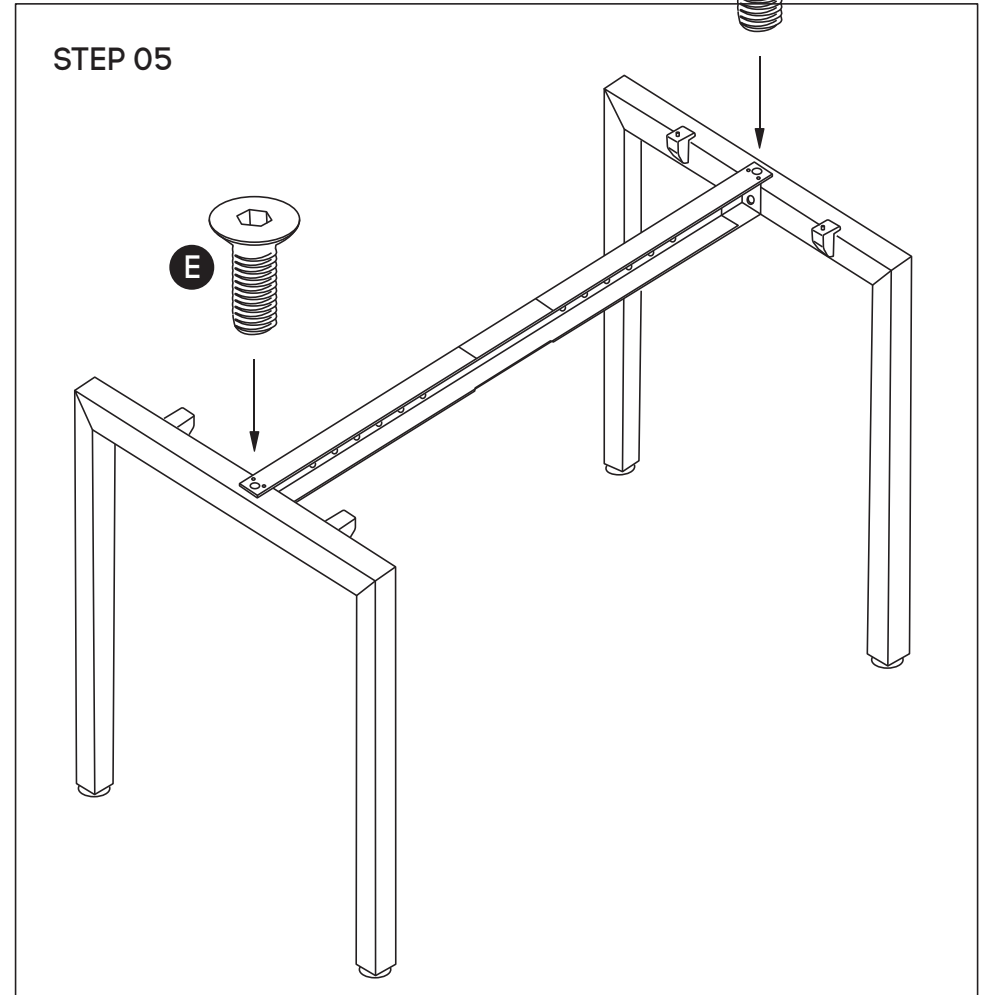
Using Allen Key provided, attach M8x20MM Socket head **(F)**-screw socket half way into leg for both legs **(B)**



Quadro Square Boardroom table



Attach beam (C) to legs (B) using nut insert in legs.
See point attached

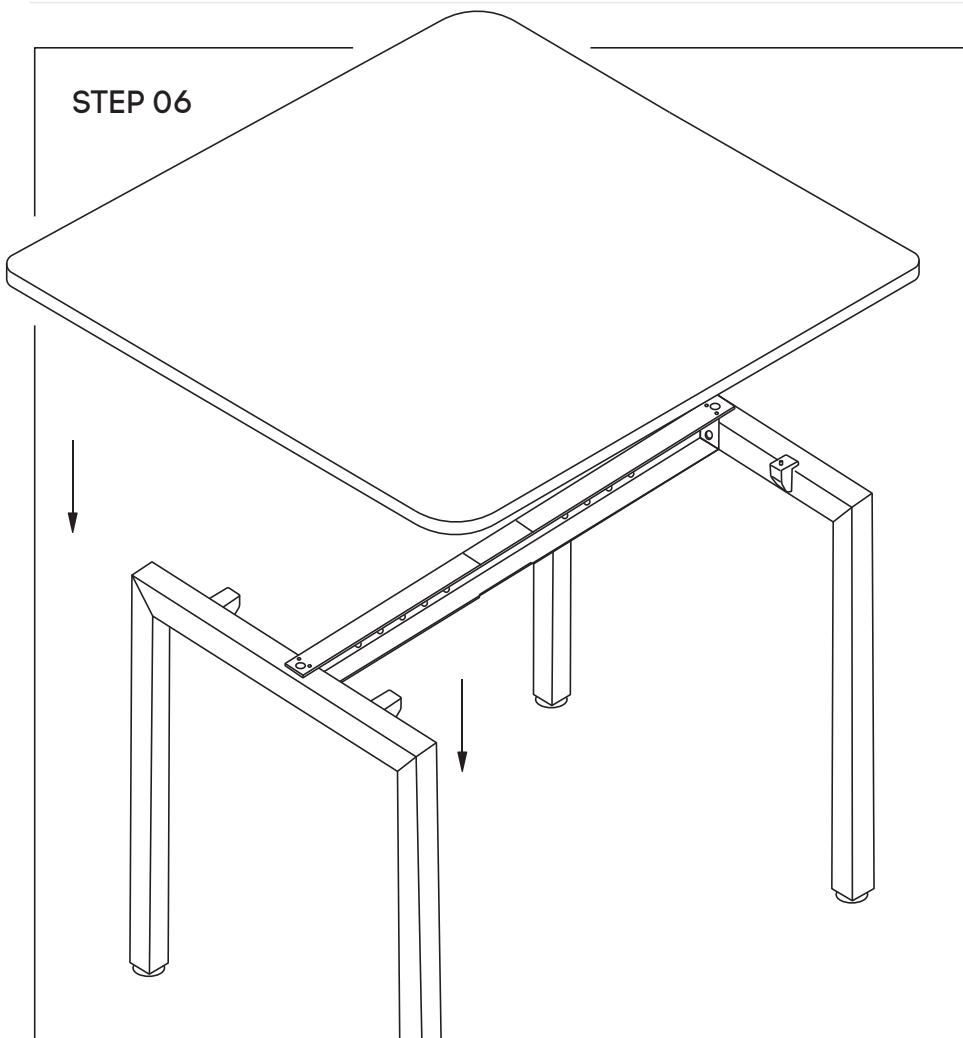


Frame looks like this. Using Allen Key, attach beam (C) with Socket (E)

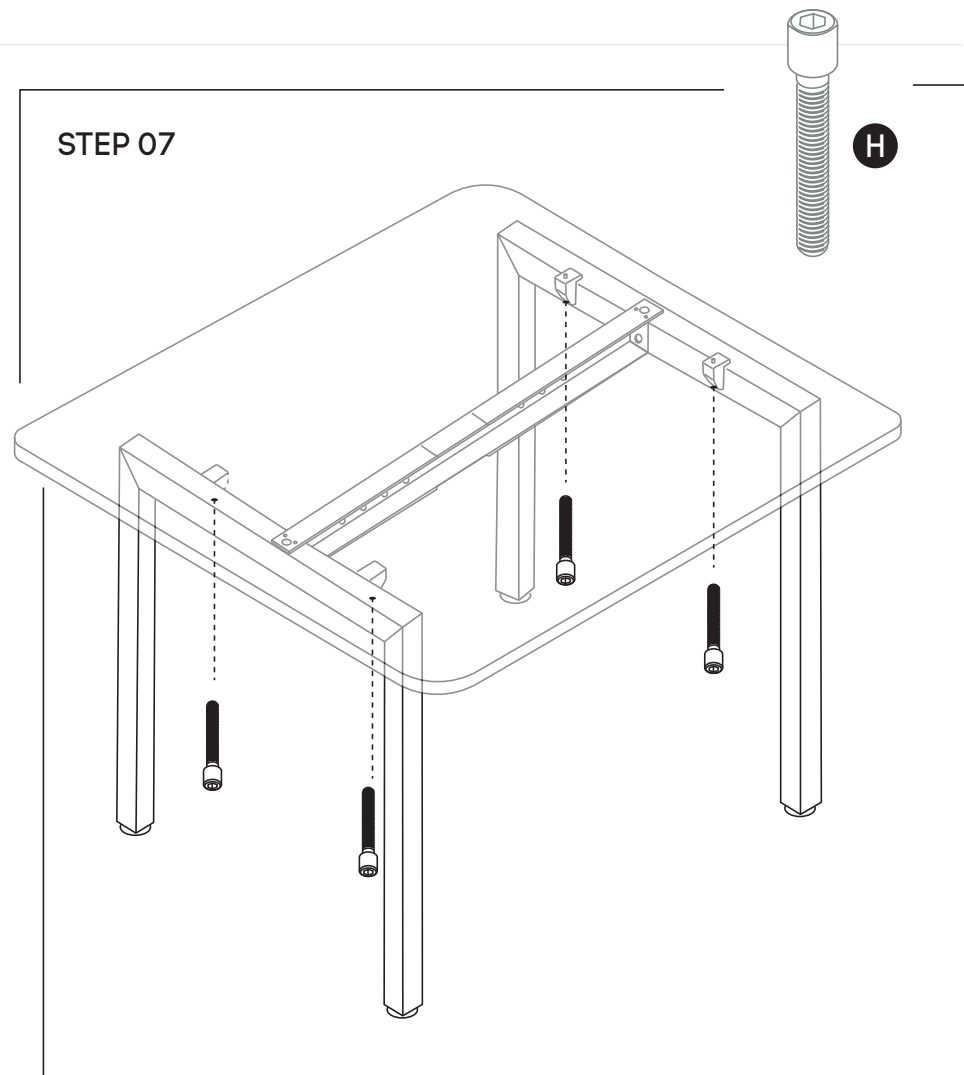
Need help!

Call us on **1300 527 665**

Quadro Square Boardroom table



Place desktop on top of the frame. Please place the top equally centred at the same distance from left and right of the leg frame and make sure that front and back of the top will have the same distance from the legs frame as well.



Please tighten screws **(H)** through the plastic brackets into the underneath of the Tops.

Need help!

Call us on **1300 527 665**