


# Quadro Square Boardroom table



**Sizes:**  
1800x1100

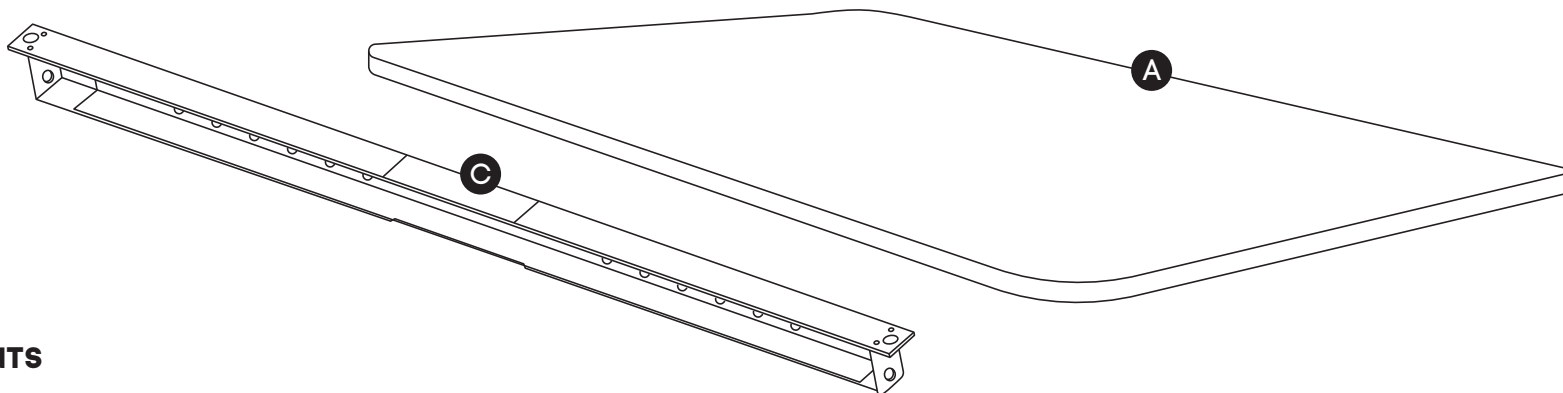
**Tools Required:** Power screwdriver; Allen key set (provided)

 2 persons required for installation

**Need help!**

Call us on **1300 527 665**

# Quadro Square Boardroom table



## COMPONENTS

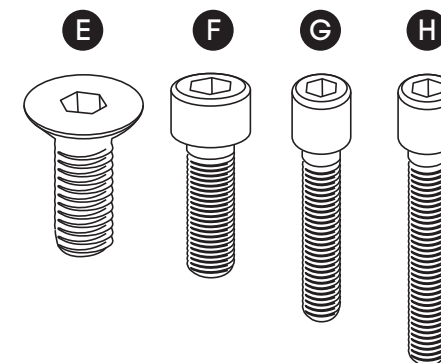
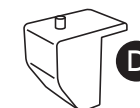
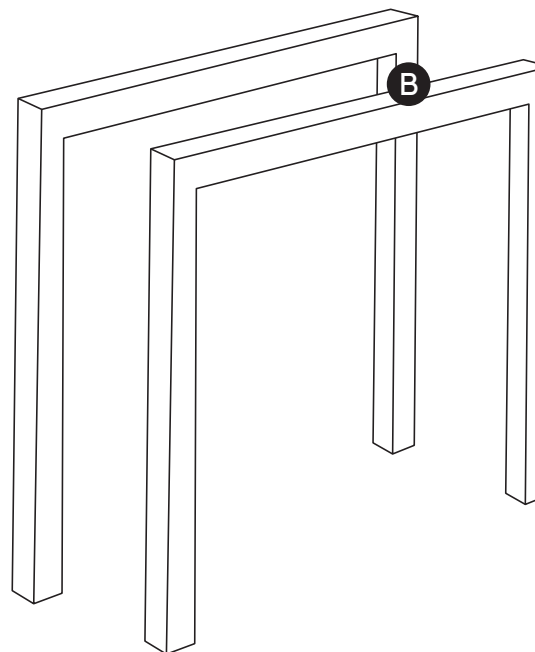
- A Table top x1
- B Leg Quadro Square x2
- C Beam x1 \*
- D Plastic bracket x4

## SCREWS

- E M8x20MM CSK x2
- F M8x20MM Socket head x2
- G M6x20MM Socket head x4
- H M6x30mm Socket head x 4

- I Allen key x2

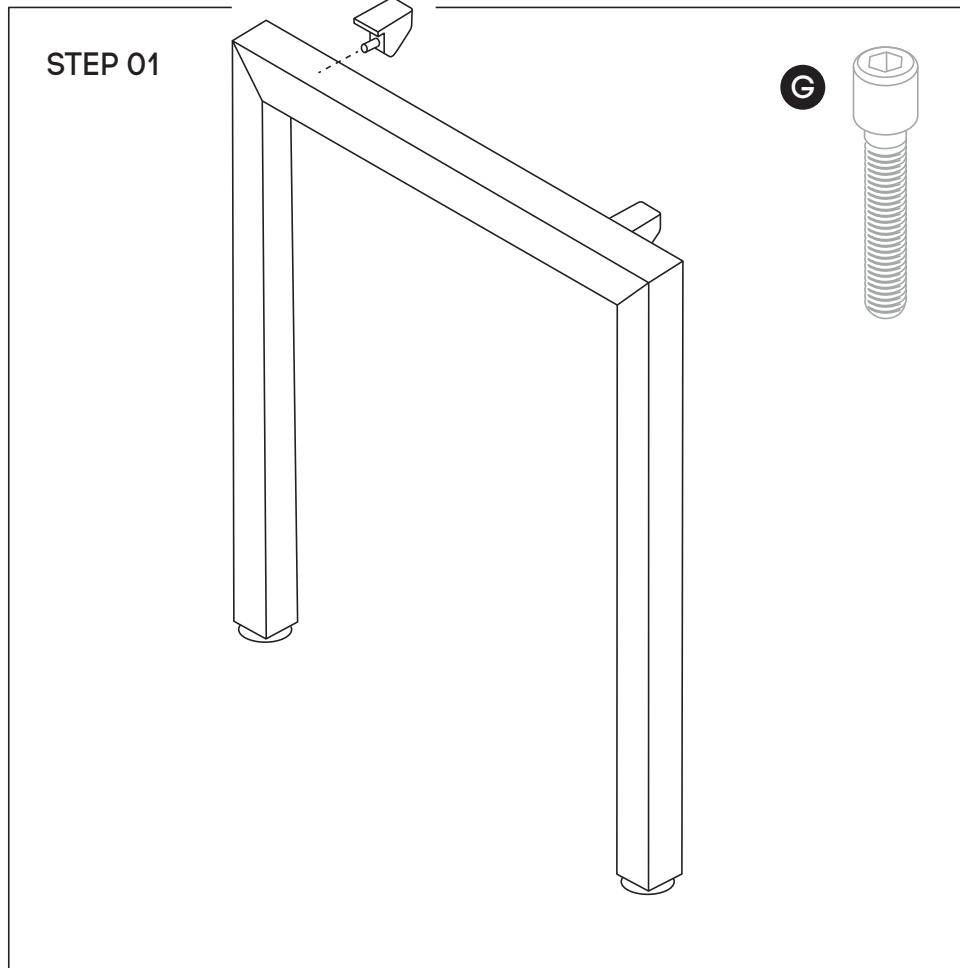
\* Colour of the beam is always black, regardless desk frame colour.



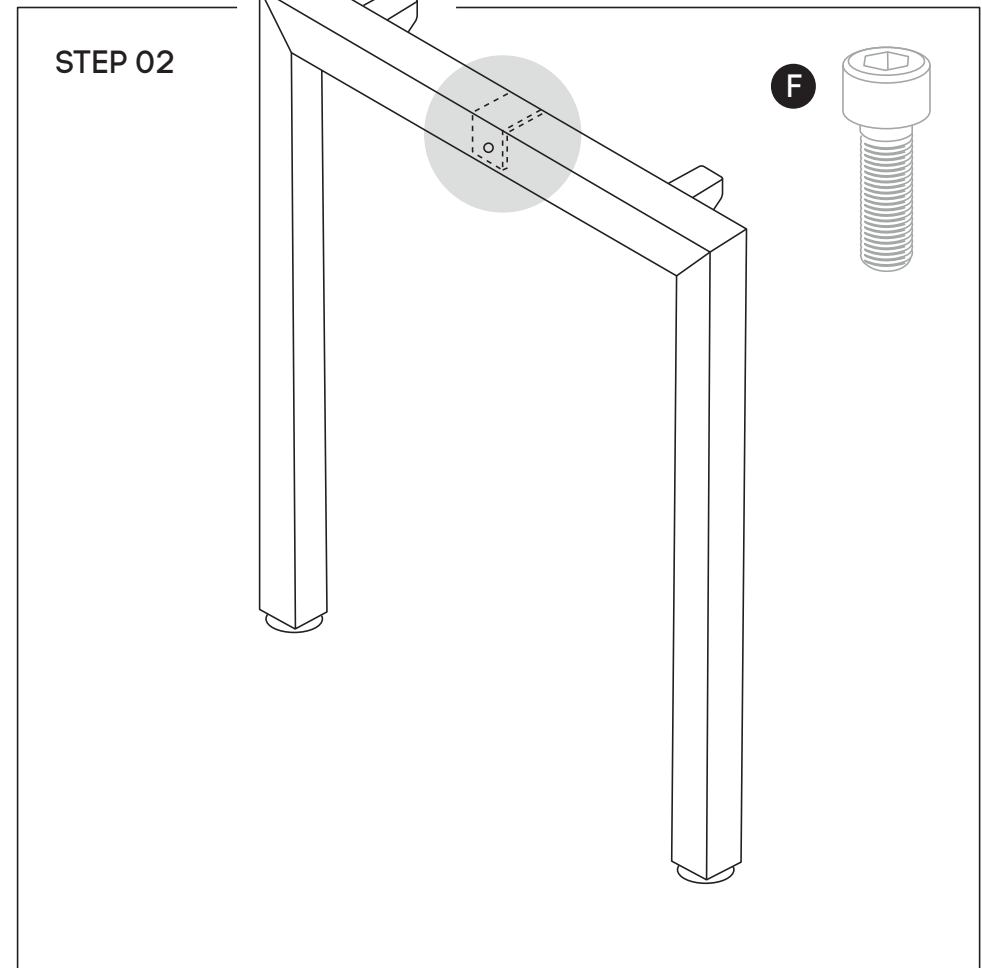
**Need help!**

Call us on **1300 527 665**

# Quadro Square Boardroom table



Using Allen Key provided, attach 2 plastic brackets per leg **(D)** (as per picture above) using M6x20MM **(G)** Socket head screw



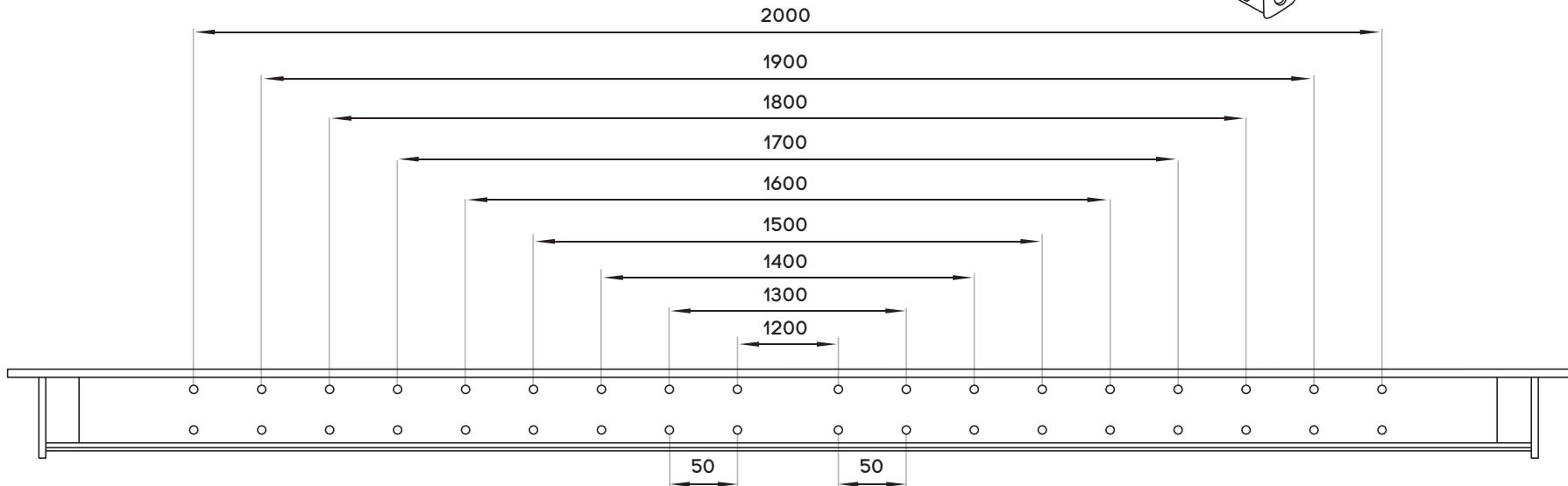
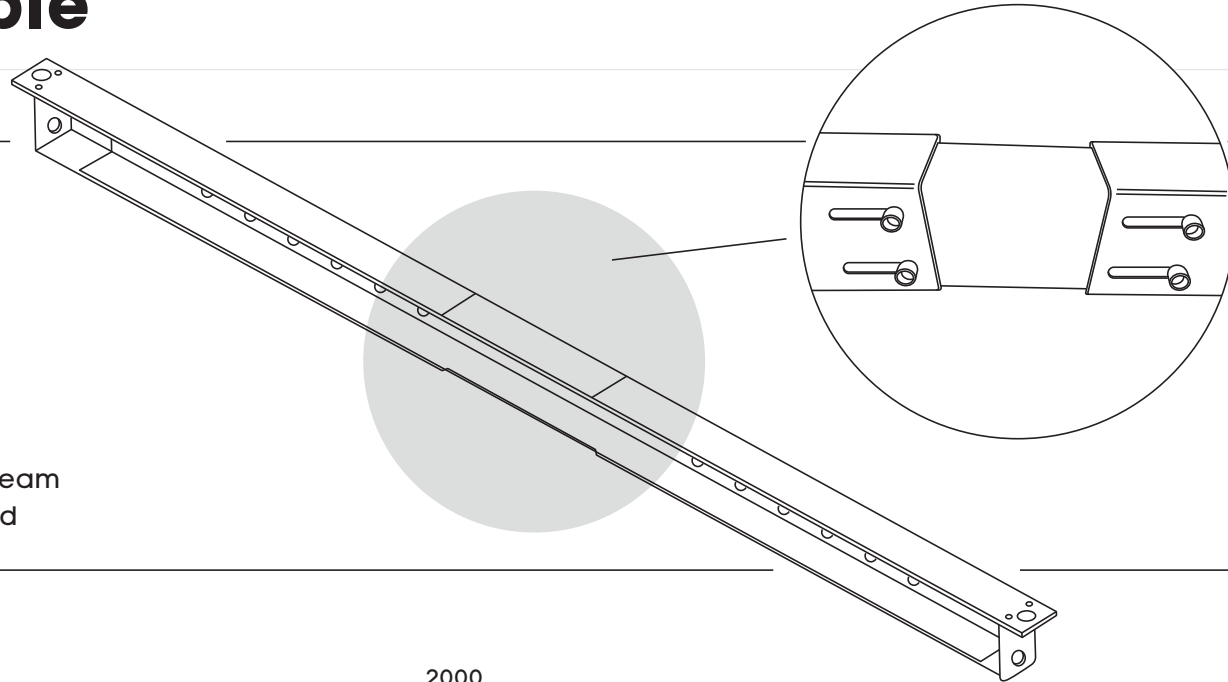
Using Allen Key provided, attach M8x20MM Socket head **(F)**-screw socket half way into leg for both legs **(B)**

# Quadro Square Boardroom table

## STEP 03

Secure 1200mm beam (C)

Adjust extendable beam to desired length using markers and secure beam at that length using screws provided

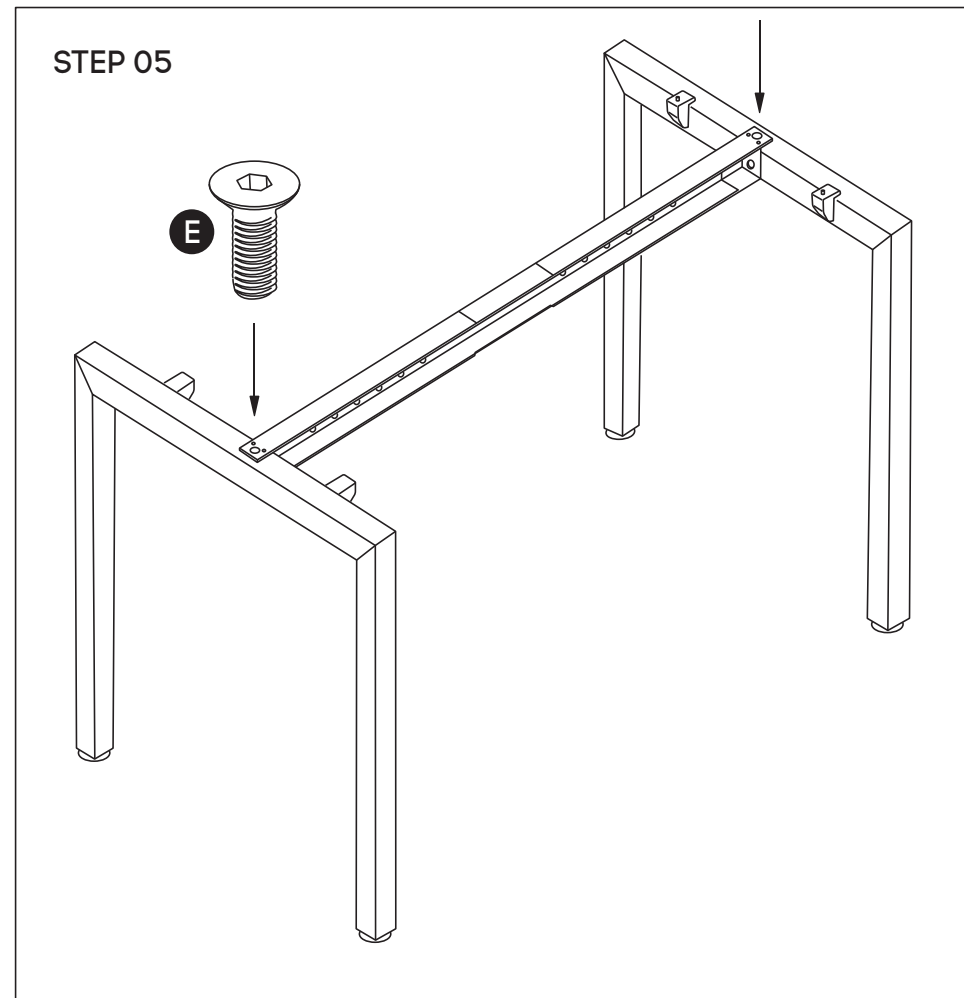
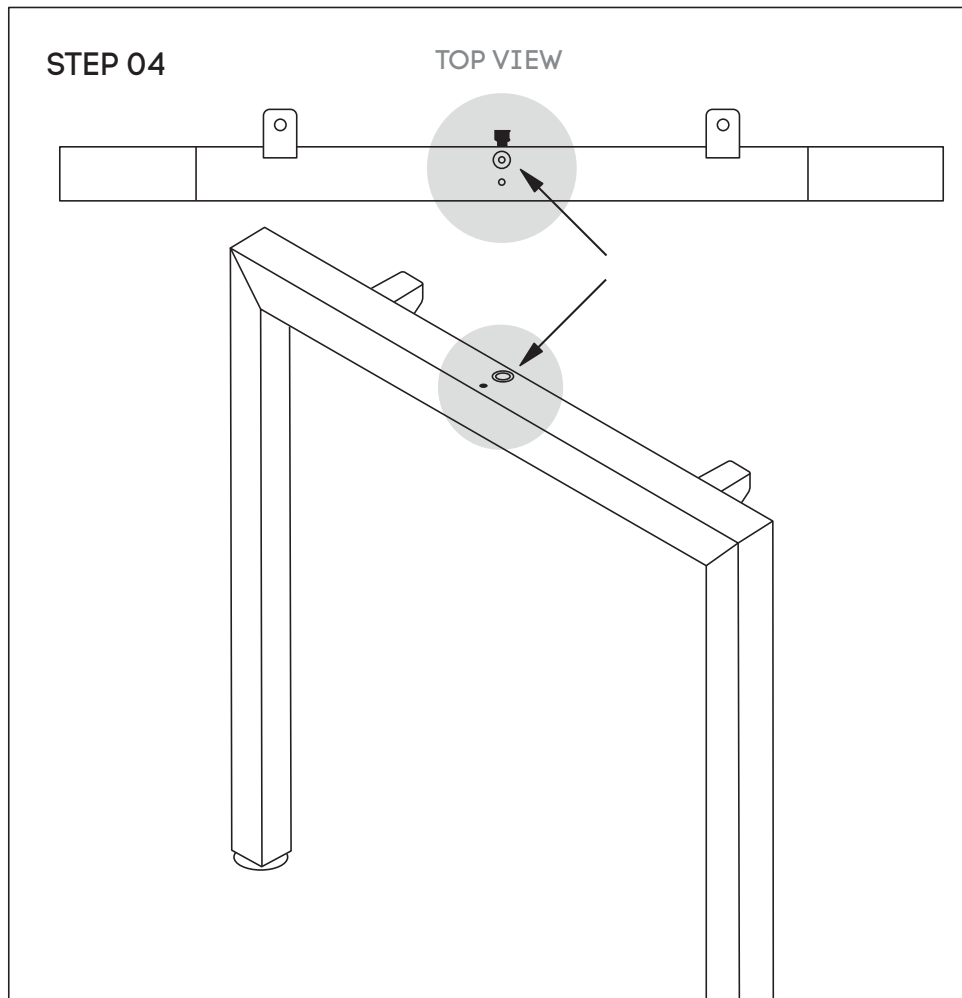


**Need help!**

Call us on **1300 527 665**

# Quadro Square Boardroom table

jason.l



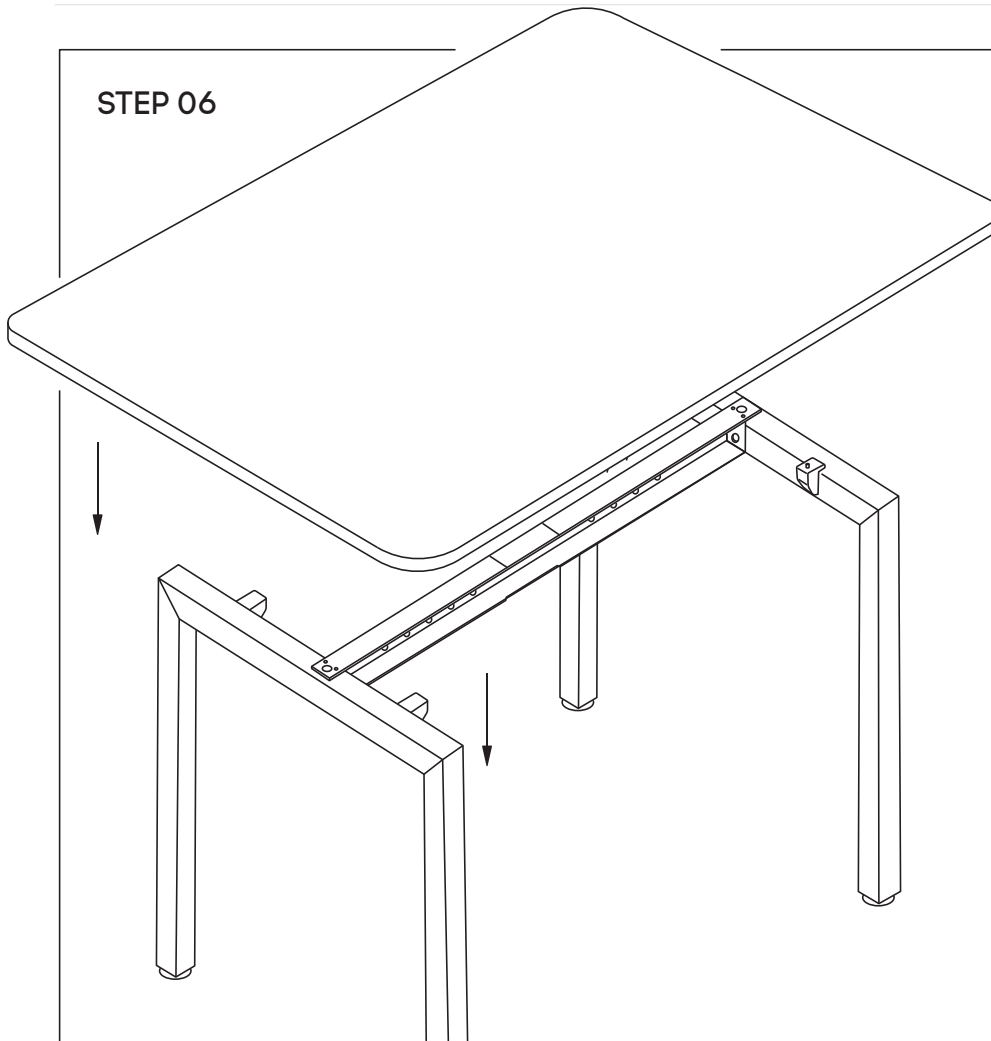
Attach beam **(C)** to legs **(B)** using nut insert in legs.  
See point attached

Frame looks like this. Using Allen Key, attach beam **(C)** with Socket **(E)**

**Need help!**

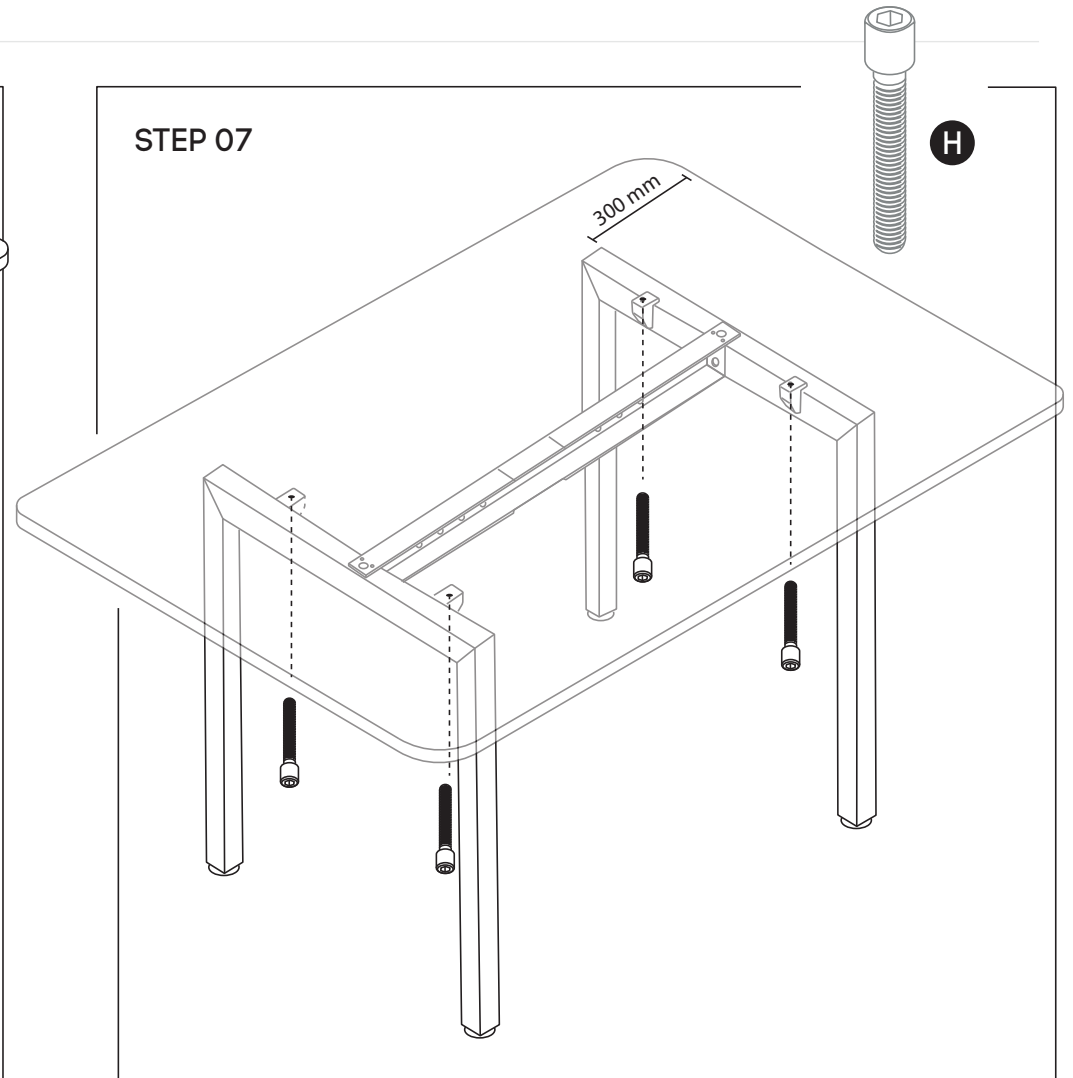
Call us on **1300 527 665**

# Quadro Square Boardroom table



STEP 06

Place the desktop on top of the frame. Please place the legs ideally indented around 300mm from each end left and right of the Tops, Place the legs centred at the same distance equally from the front and back of the top.



STEP 07

Please tighten M6x30MM Socket head (H) through the plastic brackets into the underneath of the tops.

**Need help!**

Call us on **1300 527 665**