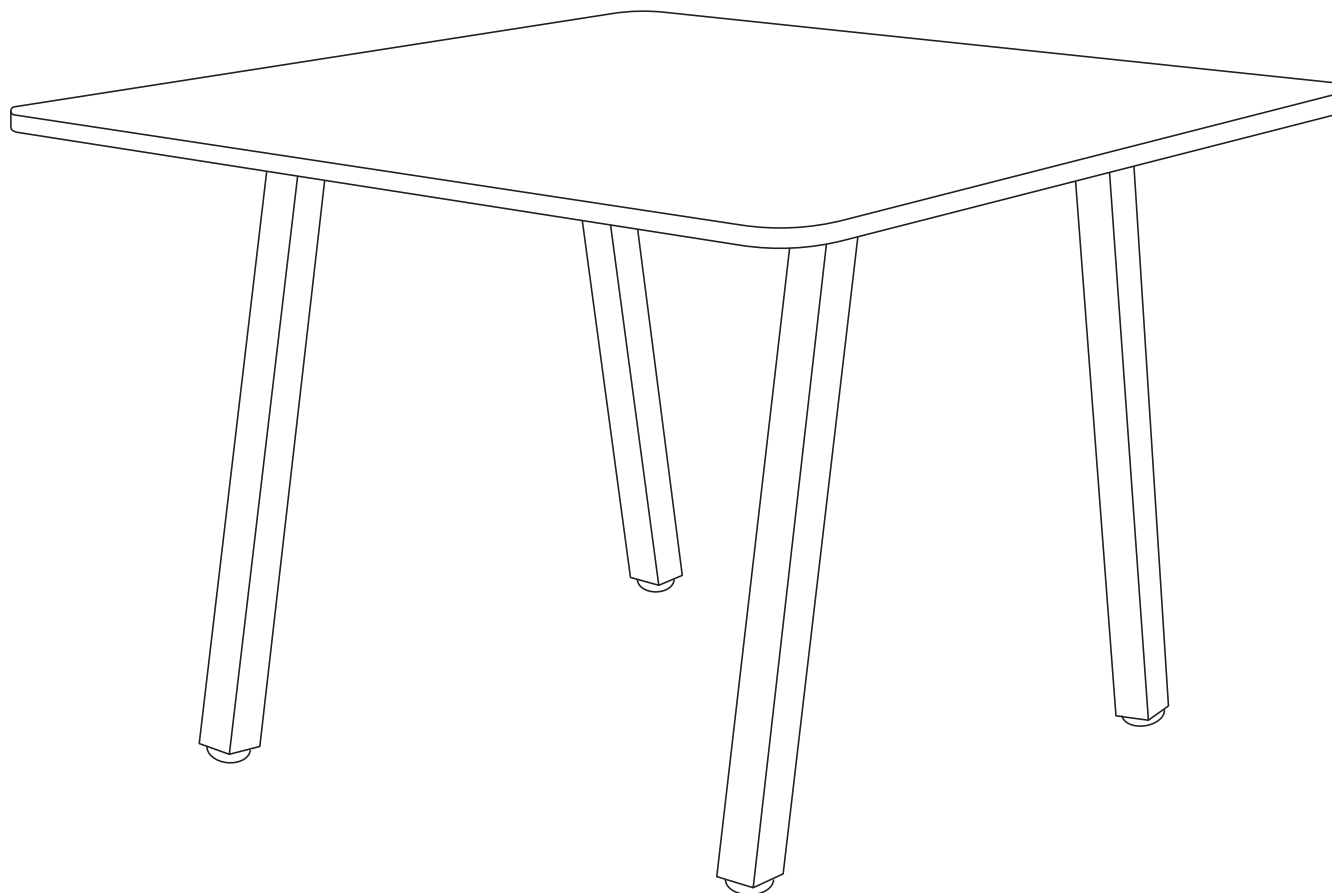



# Quadro A Boardroom table



**Sizes:**  
1100x1100

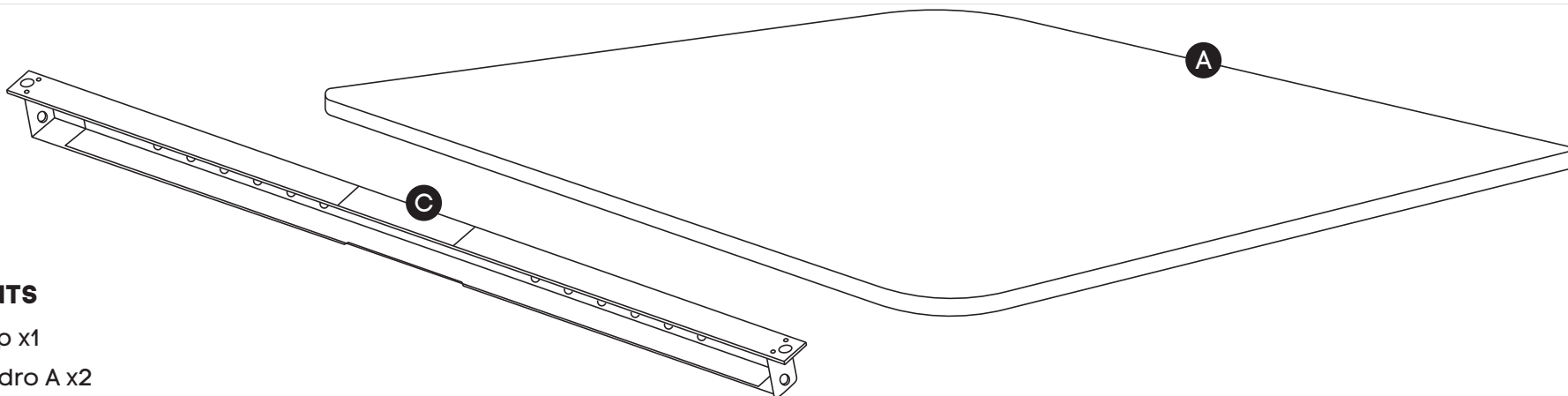
**Tools Required:** Power screwdriver; Allen key set (provided)

 2 persons required for installation

**Need help!**

Call us on **1300 527 665**

# Quadro A Boardroom table



## COMPONENTS

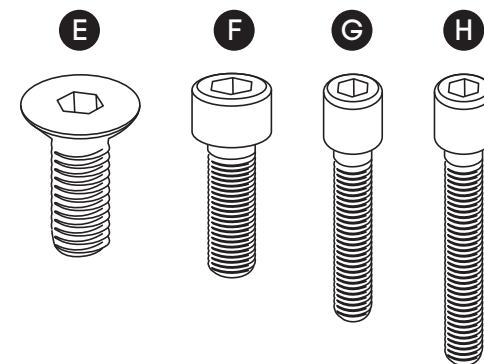
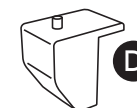
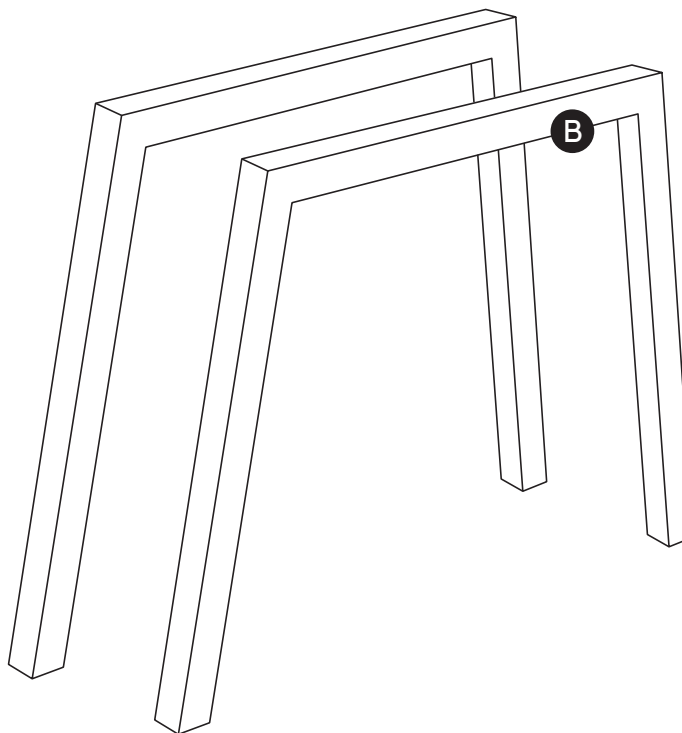
- A Table top x1
- B Leg Quadro A x2
- C Beam x1 \*
- D Plastic bracket x4

## SCREWS

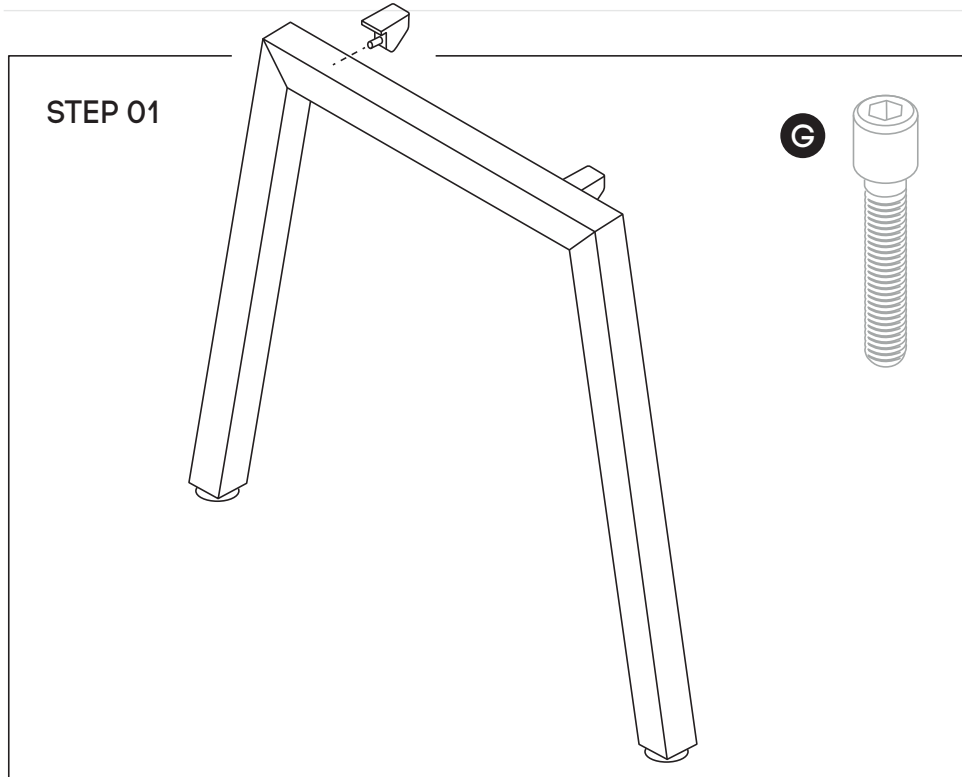
- E M8x20MM CSK x2
- F M8x20MM Socket head x2
- G M6x20MM Socket head x4
- H M6x30mm Socket head x 4  
or M6x30 Wood screws x 4 and washers

- I Allen key x2

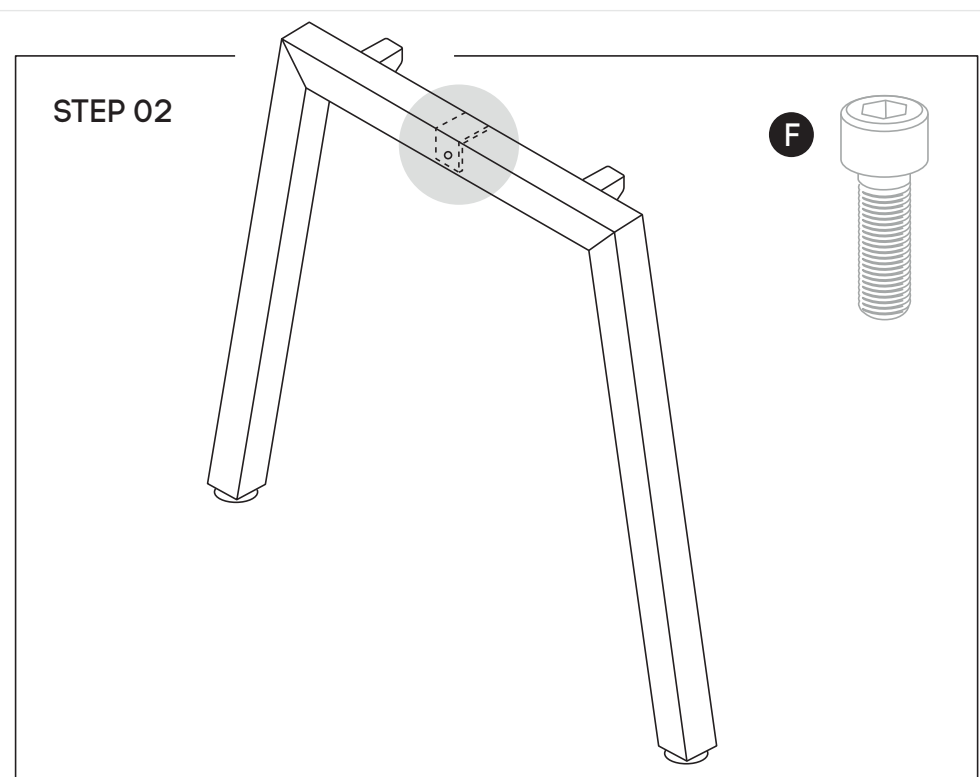
\* Colour of the beam is always black, regardless desk frame colour.



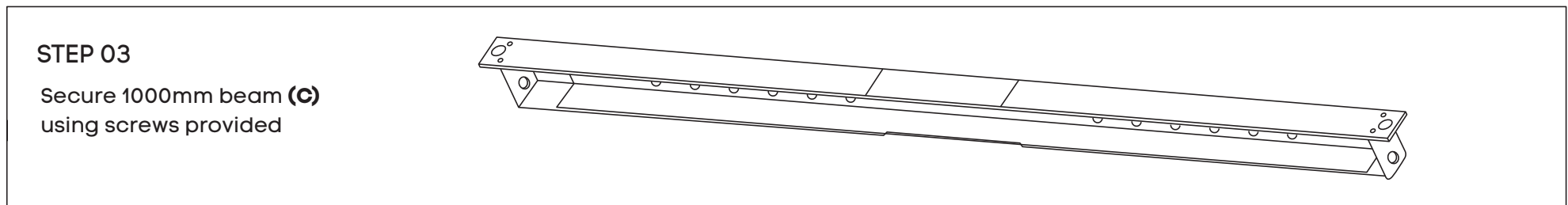
# Quadro A Boardroom table



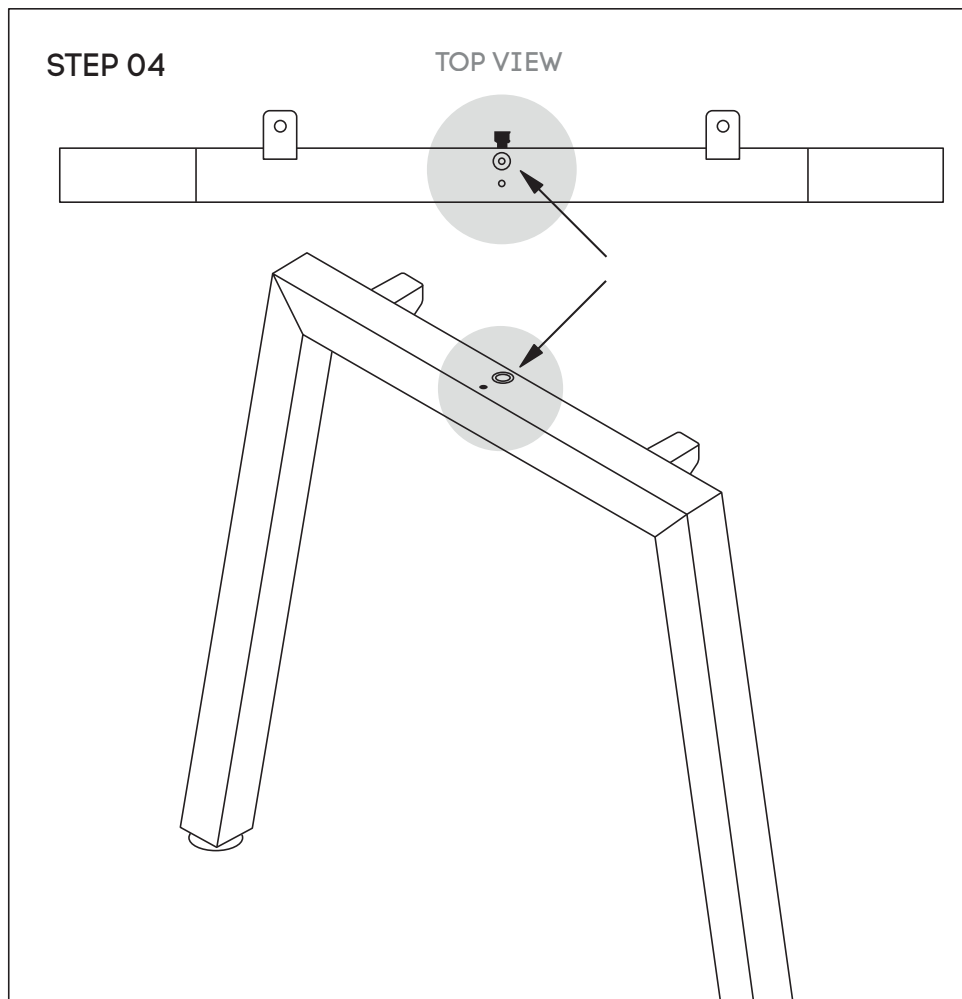
Using Allen Key provided, attach 2 plastic brackets per leg **(D)**  
(as per picture above) using M6x20MM **(G)** Socket head screw



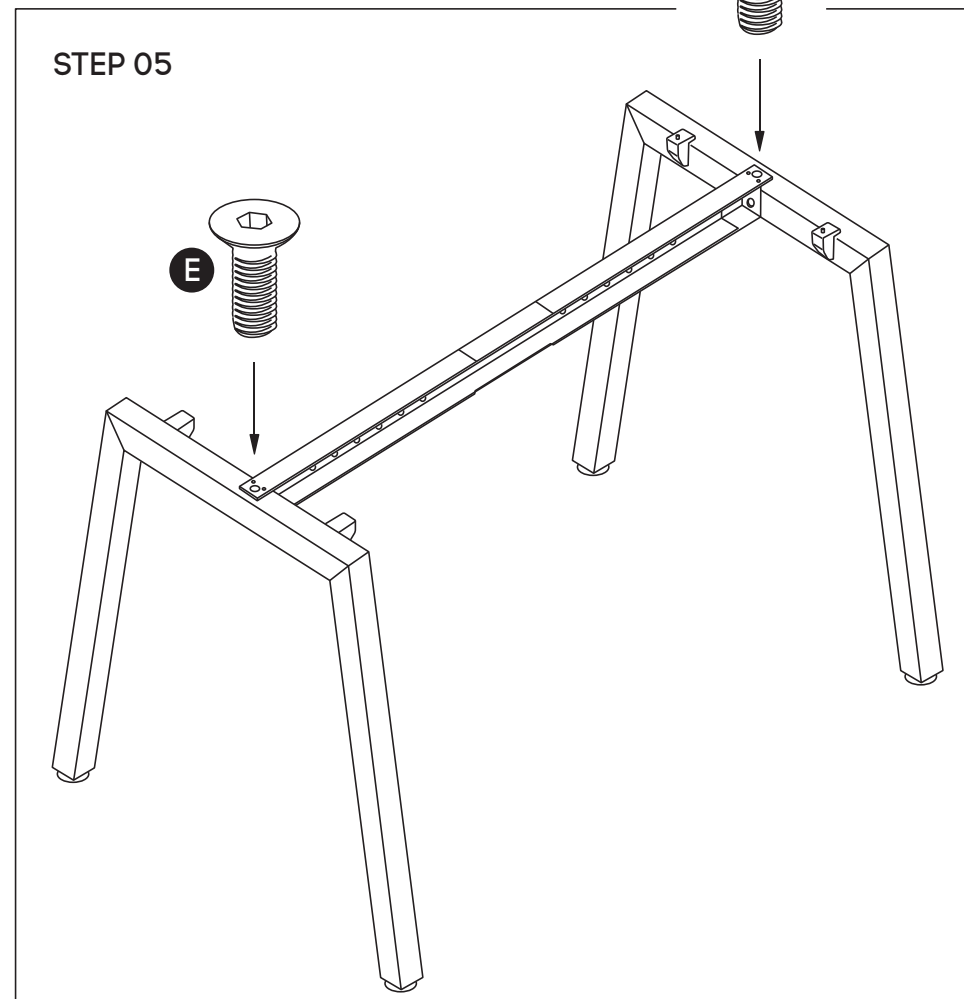
Using Allen Key provided, attach M8x20MM Socket head **(F)**-  
screw socket half way into leg for both legs **(B)**



# Quadro A Boardroom table



Attach beam (C) to legs (B) using nut insert in legs.  
See point attached

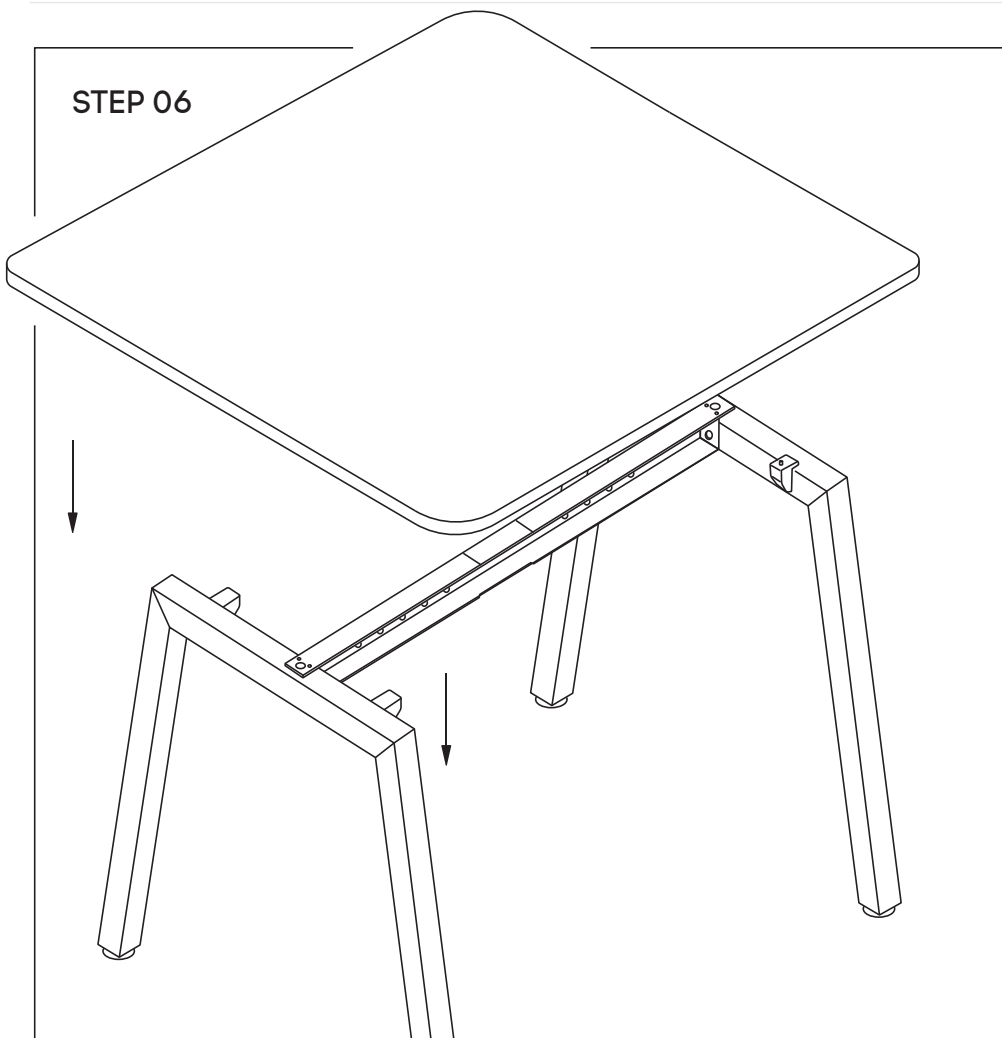


Frame looks like this. Using Allen Key, attach beam (C) with Socket (E)

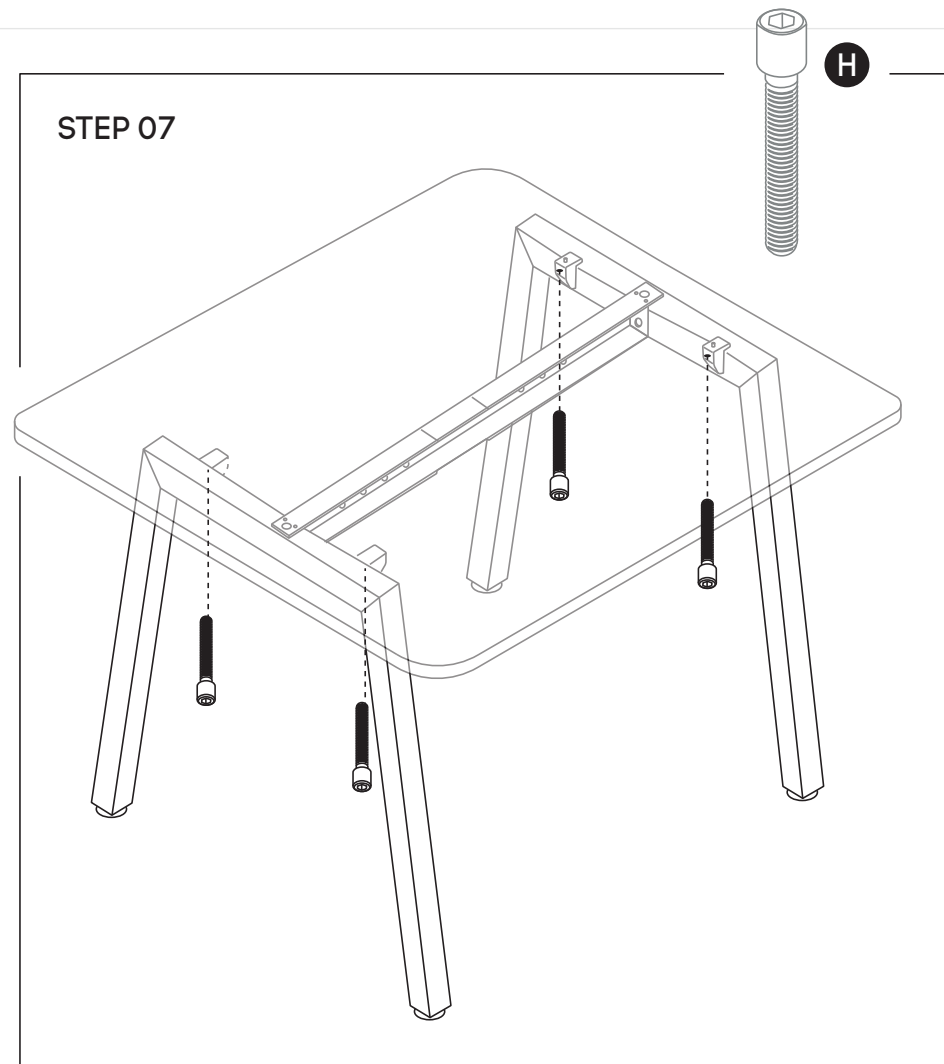
**Need help!**

Call us on **1300 527 665**

# Quadro A Boardroom table



Place desktop on top of the frame. Please place the top equally centred at the same distance from left and right of the leg frame and make sure that front and back of the top will have the same distance from the legs frame as well.



Please tighten screws **(H)** through the plastic brackets into the underneath of the Tops.

**Need help!**

Call us on **1300 527 665**