

# ASSEMBLY INSTRUCTIONS

## Quadro Wood Single Legs

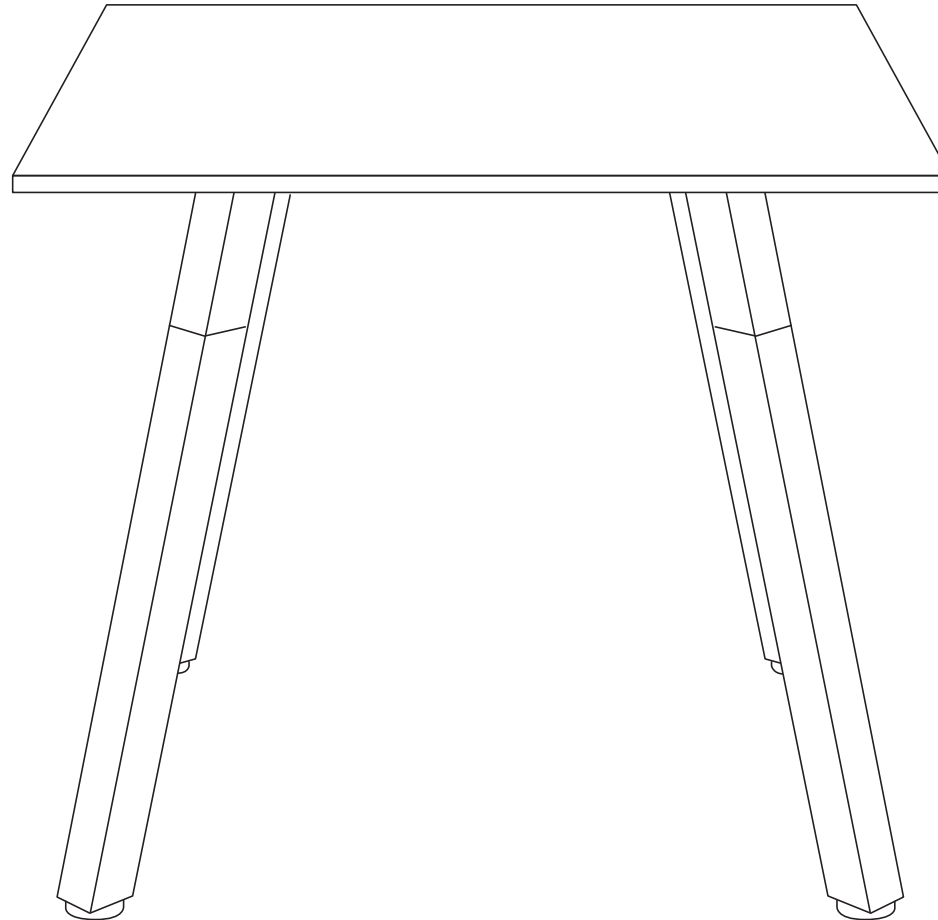
[www.jasonl.com.au](http://www.jasonl.com.au)

**Need help!**  
Call us on  
**1300 527 665**


**jason.l**  
your office furniture mate



Size:  
1200 x 1200 mm



**Tools Required:** Power screwdriver; Allen key set (provided)

 2 persons required for installation

# ASSEMBLY INSTRUCTIONS

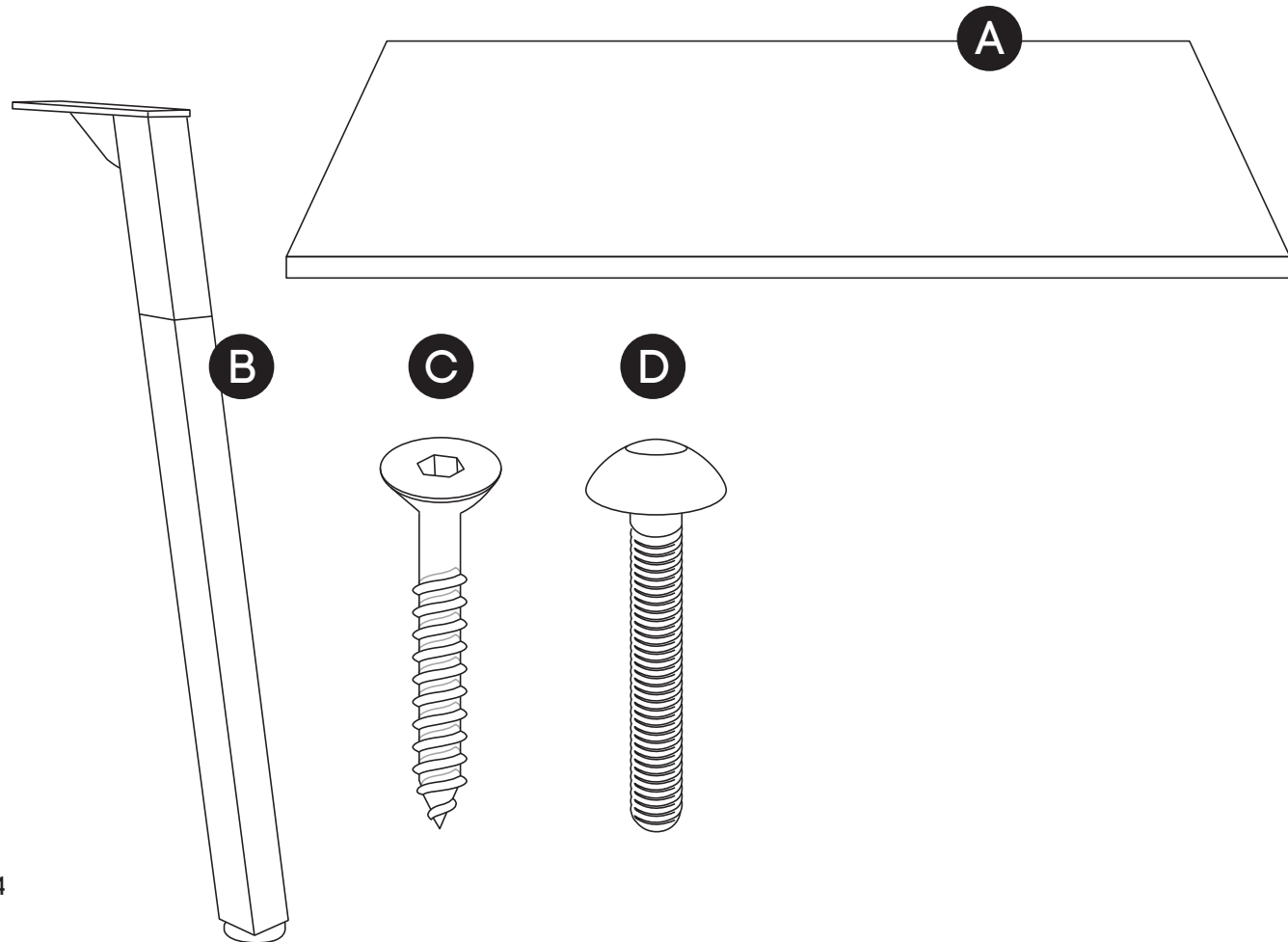
## Quadro Wood Single Legs

[www.jasonl.com.au](http://www.jasonl.com.au)

**Need help!**

Call us on  
**1300 527 665**

**jason.l**  
your office furniture mate



### COMPONENTS

- A Table top x1
- B Leg Quadro Wood x4

### SCREWS

- C Wood Screws x16
- D M6x30mm Mushroom head screws x4

E Allen key x1

# ASSEMBLY INSTRUCTIONS

## Quadro Wood Single Legs

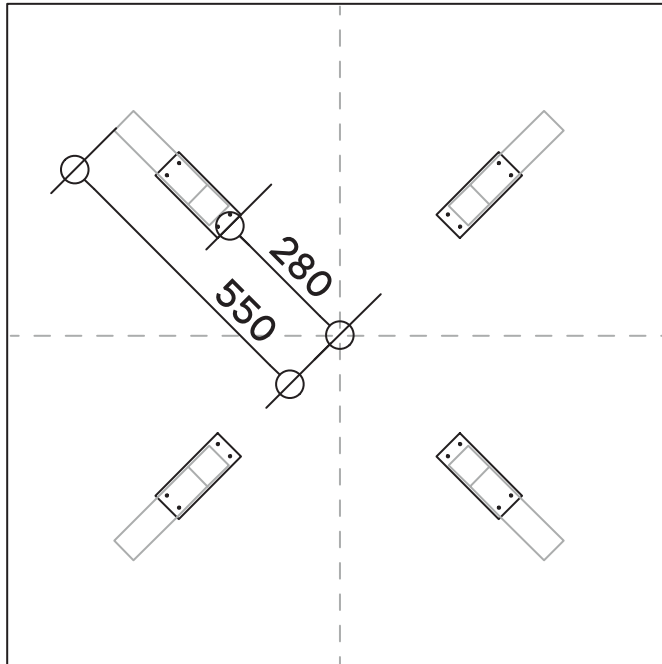
[www.jasonl.com.au](http://www.jasonl.com.au)

**Need help!**  
Call us on  
**1300 527 665**

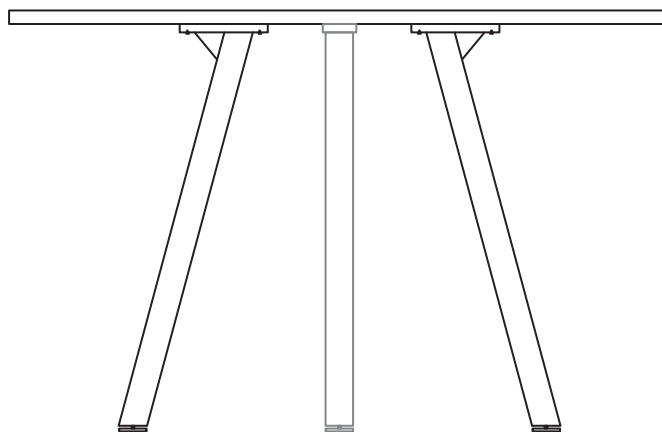
**jason.l**  
your office furniture mate



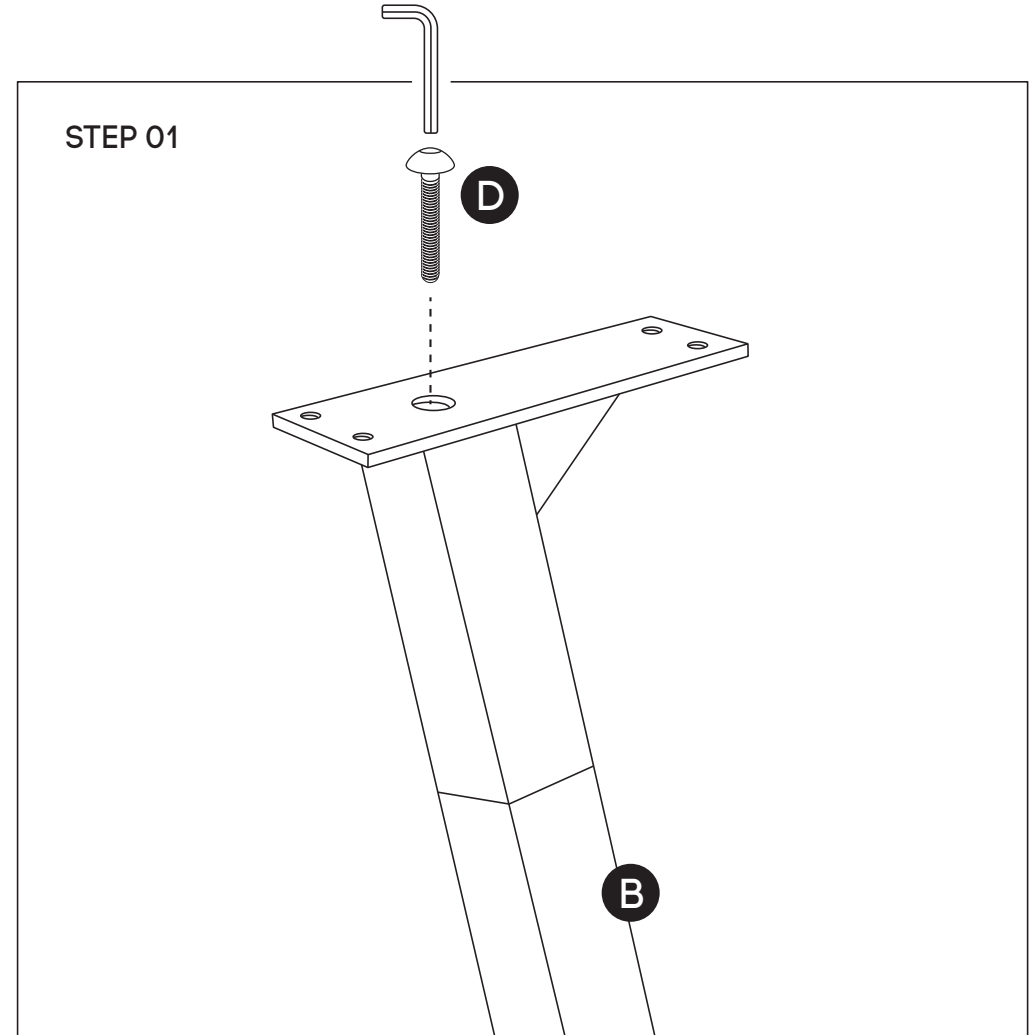
TOP  
VIEW



FRONTAL  
VIEW



STEP 01



Using Allen Key provided, attach Mushroom Head Screw **(D)** for all legs as shown in the illustration.

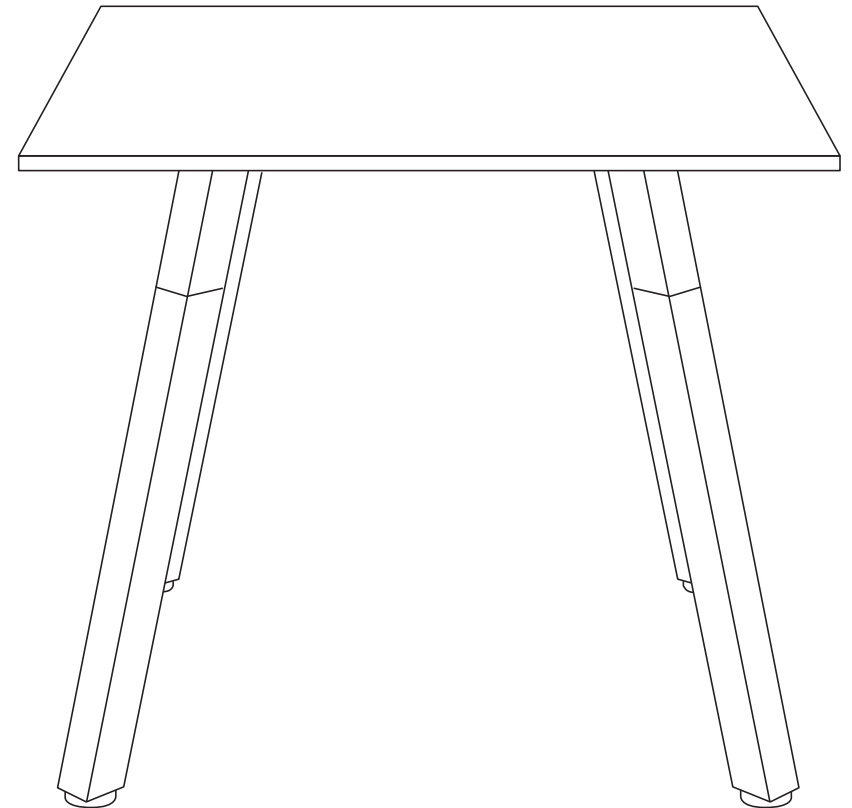
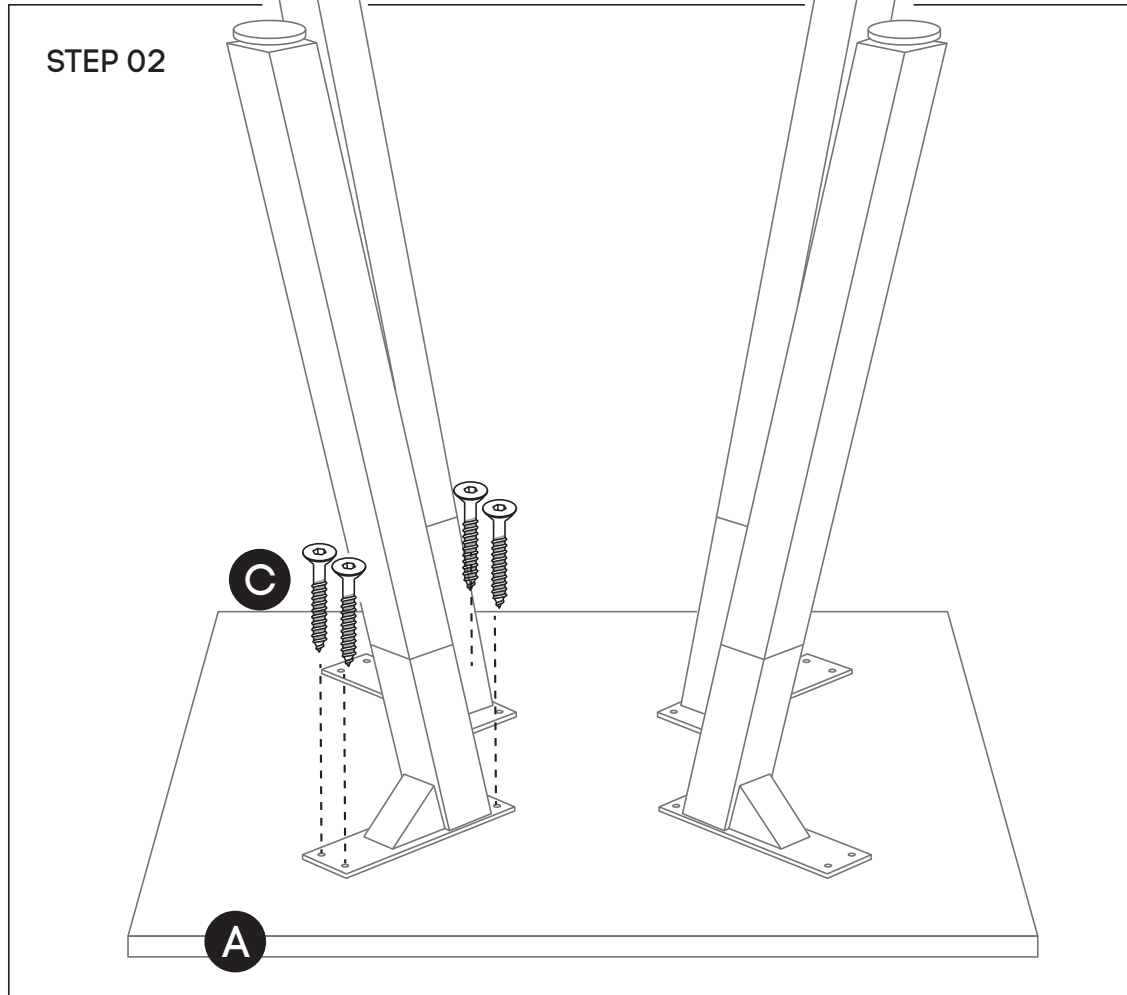
# ASSEMBLY INSTRUCTIONS

## Quadro Wood Single Legs

[www.jasonl.com.au](http://www.jasonl.com.au)

**Need help!**  
Call us on  
**1300 527 665**

**jason.l**  
your office furniture mate



Ask a second person to help turn the table and base over.  
Screw the table tops to the bases using woodscrews (C)  
through the following holes.