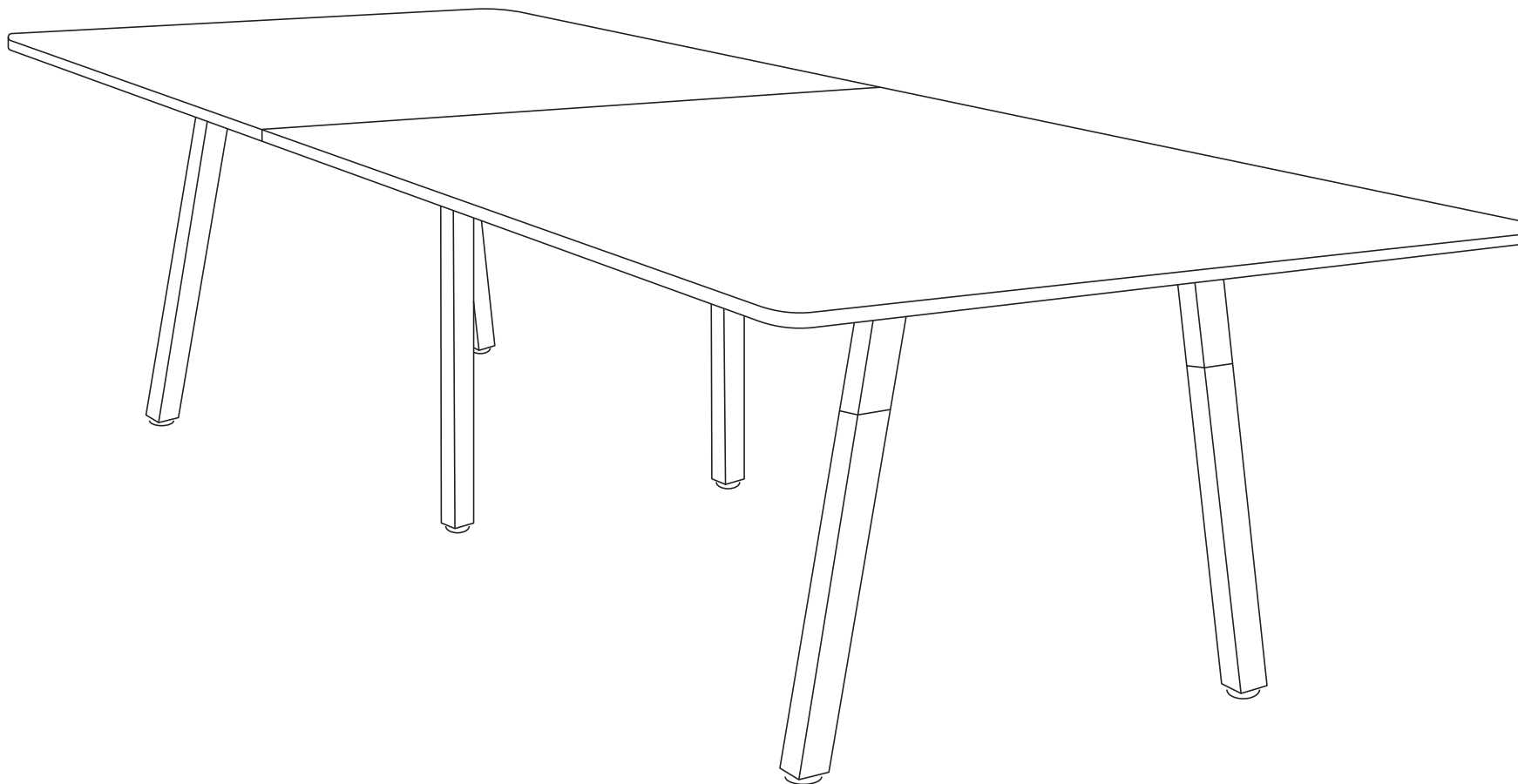



Quadro A Wood Boardroom table



Sizes:
3200x1100

Tools Required: Power screwdriver; Allen key set (provided)

 2 persons required for installation

Need help!

Call us on **1300 527 665**

Quadro A Wood Boardroom table

COMPONENTS

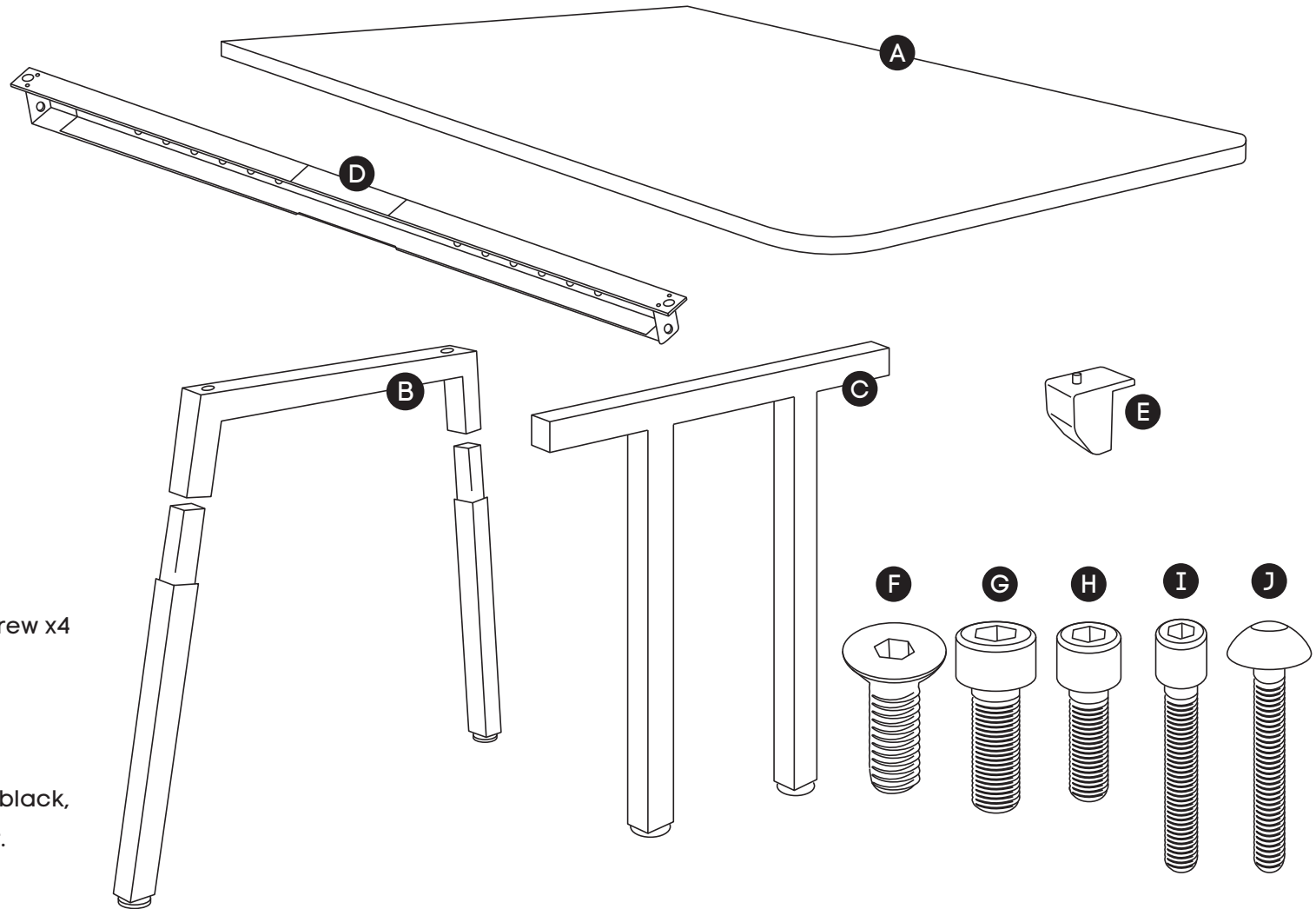
- A Table top x2
- B Leg Quadro Wood A x2
- C Connector frame x1
- D Beam x2 *
- E Plastic bracket x8

SCREWS

- F M8x20MM CSK x4
- G M8x20MM Socket head x4
- H M6x20MM Socket head x8
- I M6x30MM Socket head x8
- J M6x30MM Mushroom head screw x4

- K Allen key x2

* Colour of the beam is always black, regardless desk frame colour.

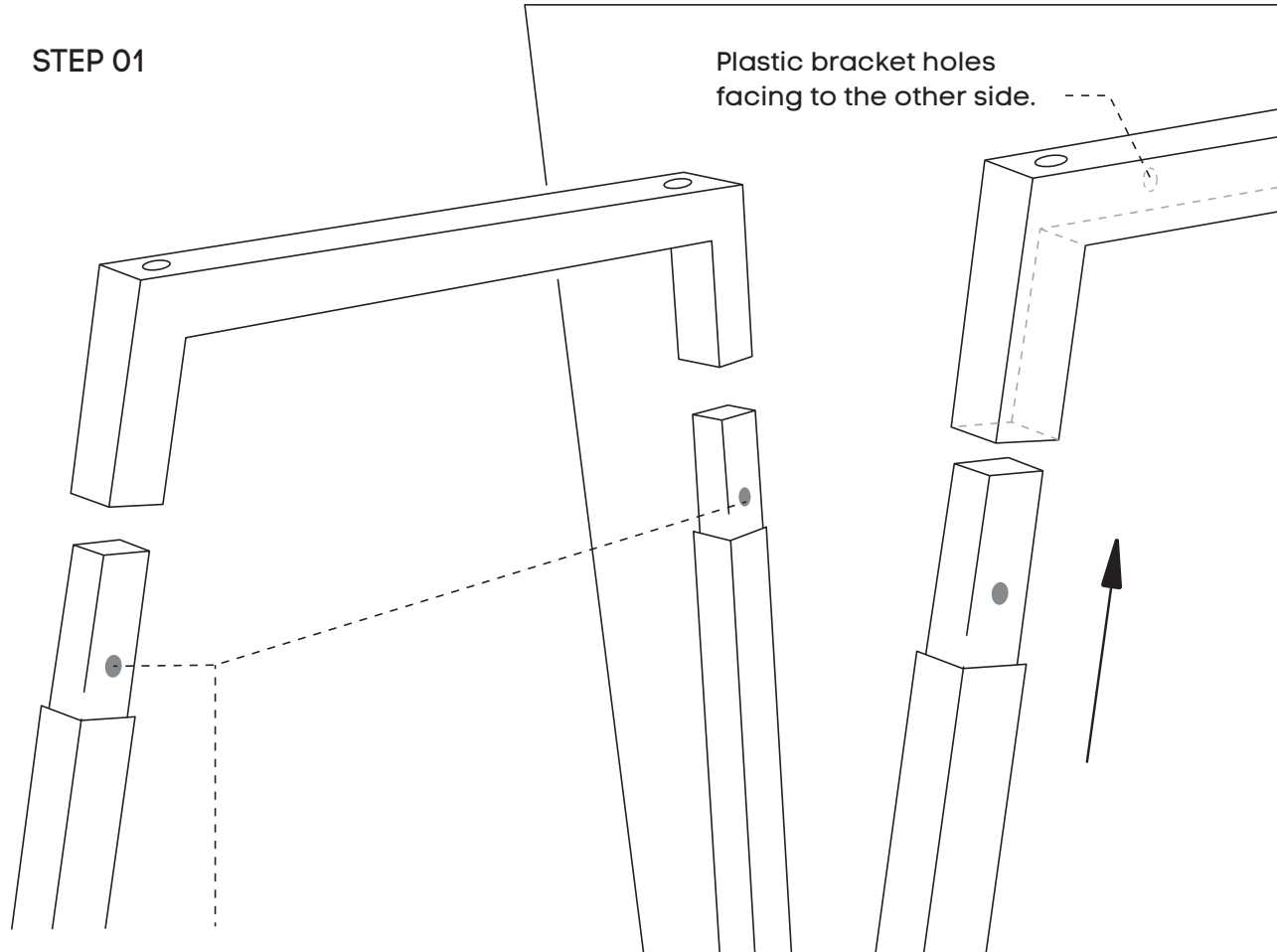


Need help!

Call us on **1300 527 665**

Quadro A Wood Boardroom table

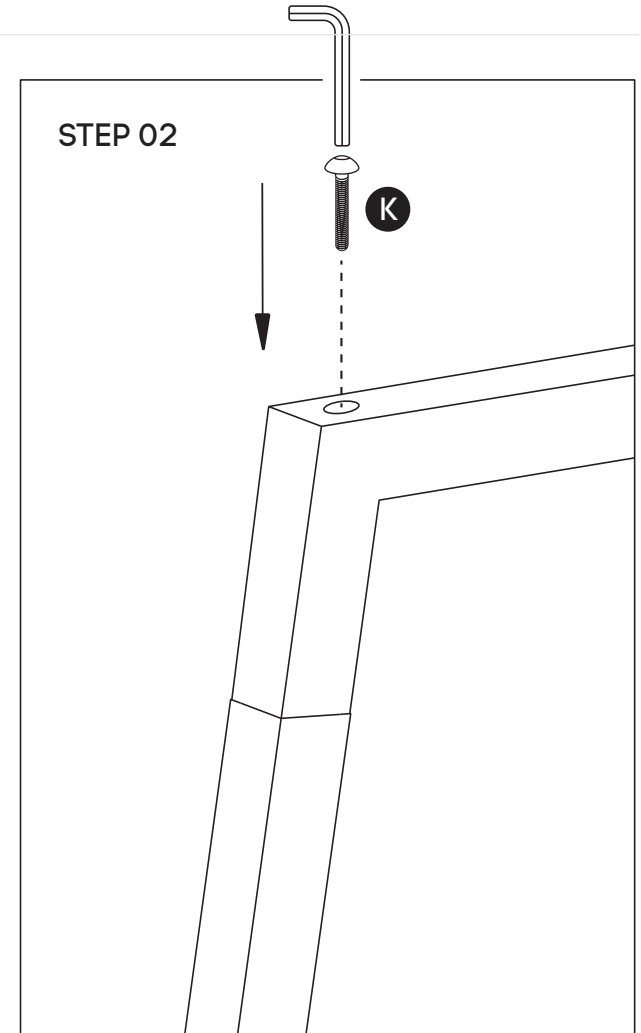
STEP 01



You will notice two colored stickers located on each leg.

Both legs must have the colour sticker facing away from where the plastic brackets are inserted.

STEP 02

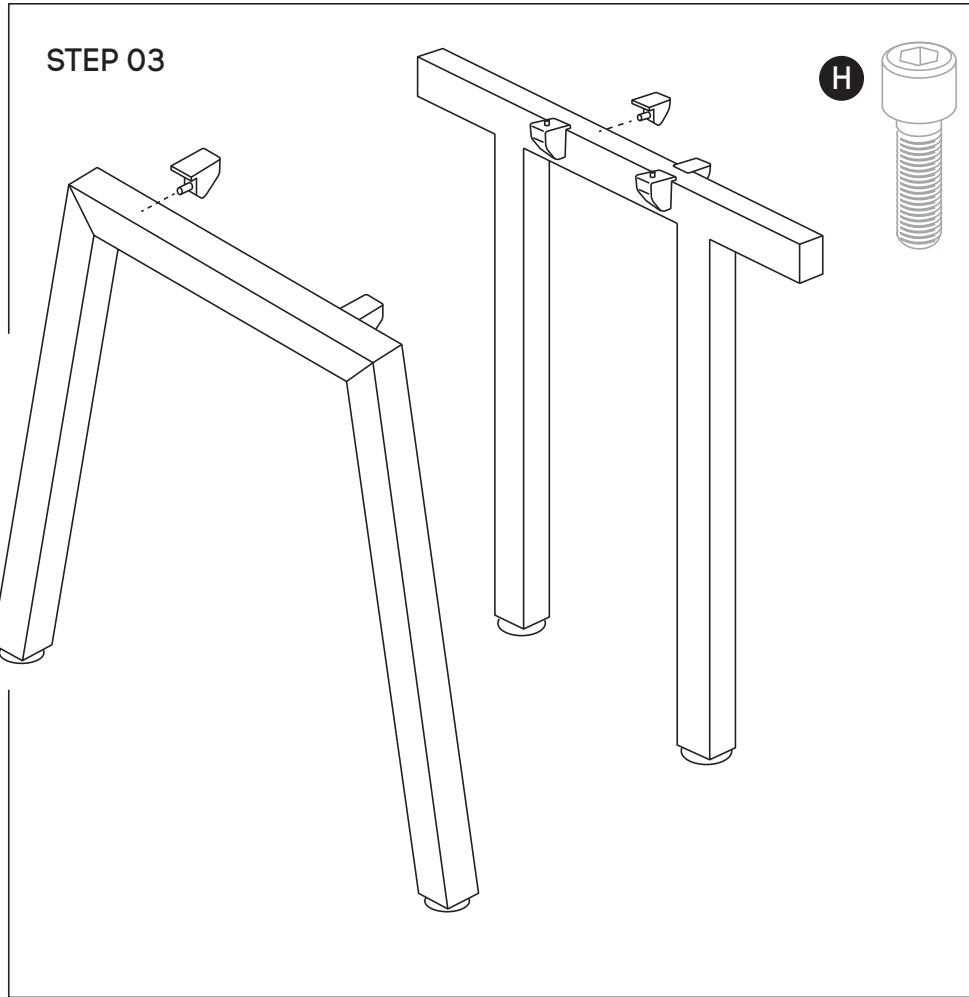


Insert the bottom of the legs as shown in the illustration. Using Allen Key provided, attach Mushroom Head Screw (K) - for all legs.

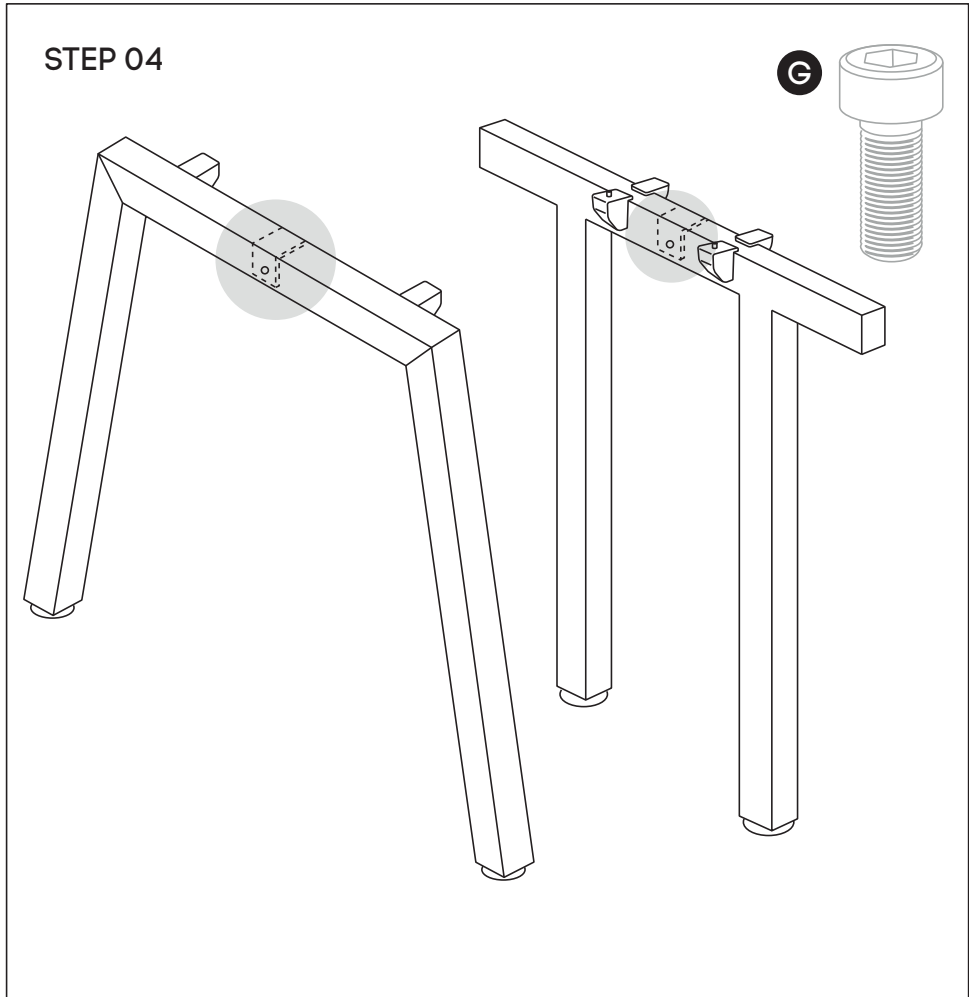
Need help!

Call us on **1300 527 665**

Quadro A Wood Boardroom table



Using Allen Key provided, attach 2 plastic brackets per leg **(E)** (as per picture above) using M6x20MM **(H)** Socket head screw. Do the same with Connector frame **(C)**.



Using Allen Key provided, attach M8x20MM Socket head **(G)**- screw socket half way into leg for both legs **(B)** and into Connector frame **(C)**.

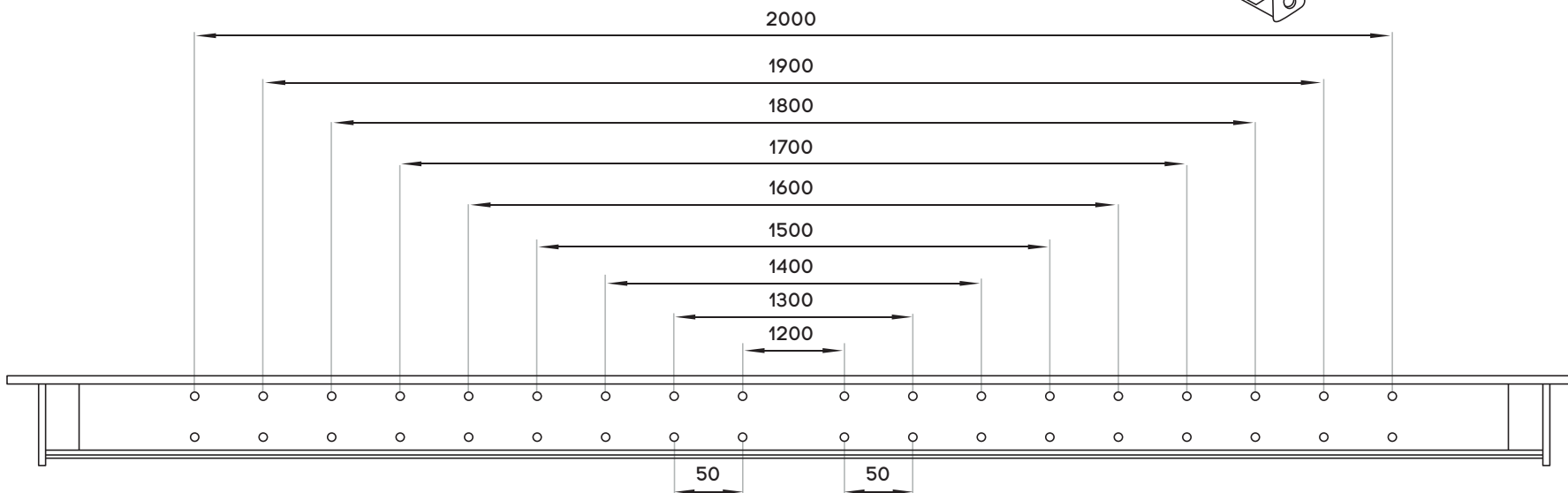
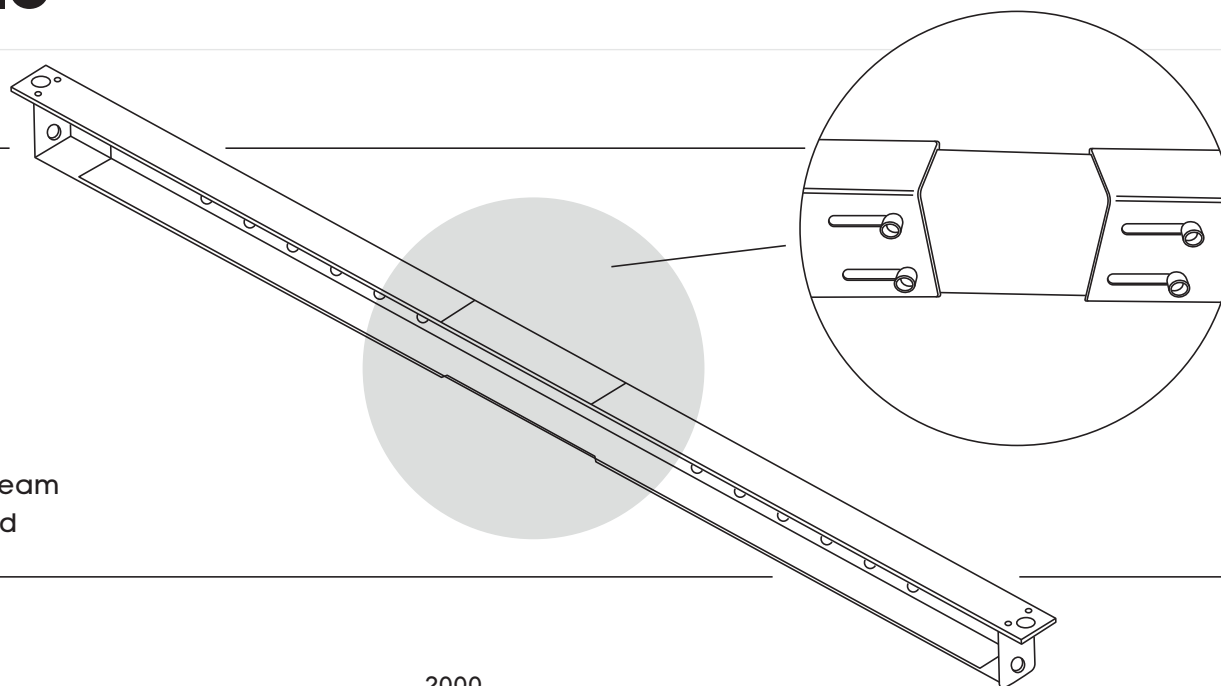
Need help!

Call us on **1300 527 665**

Quadro A Wood Boardroom table

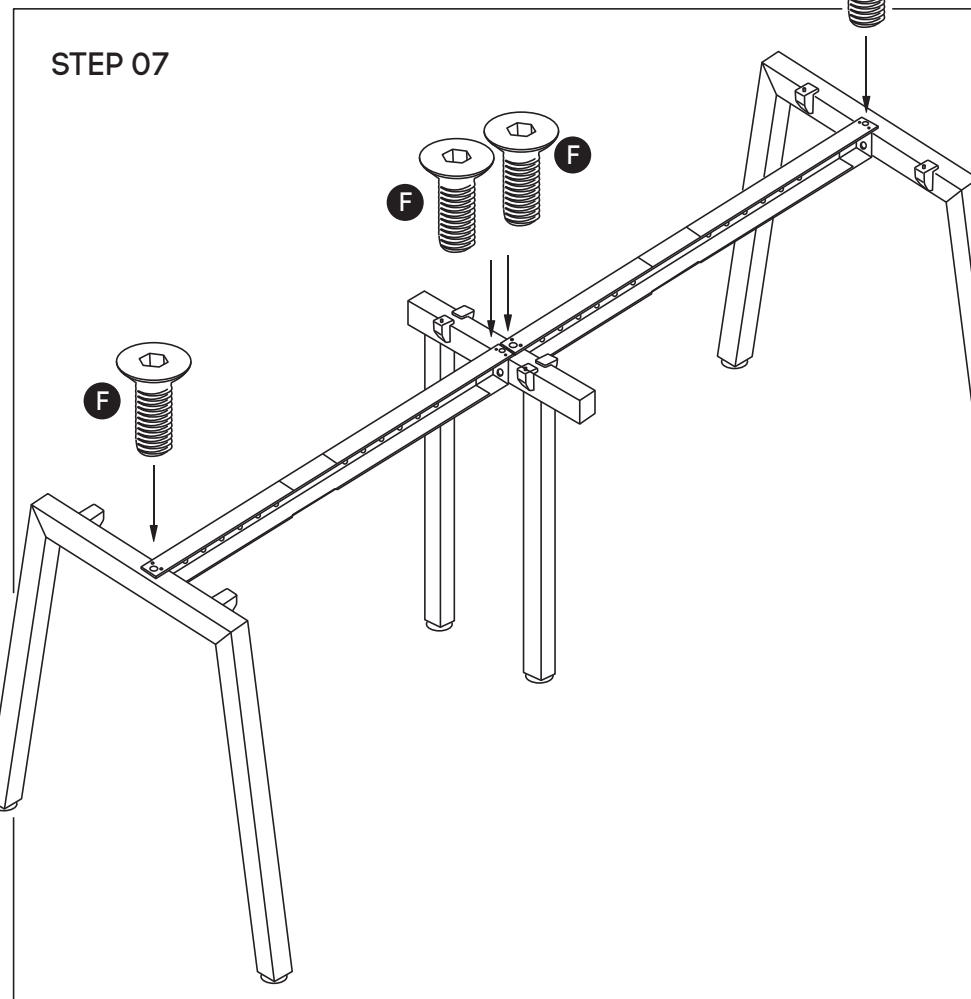
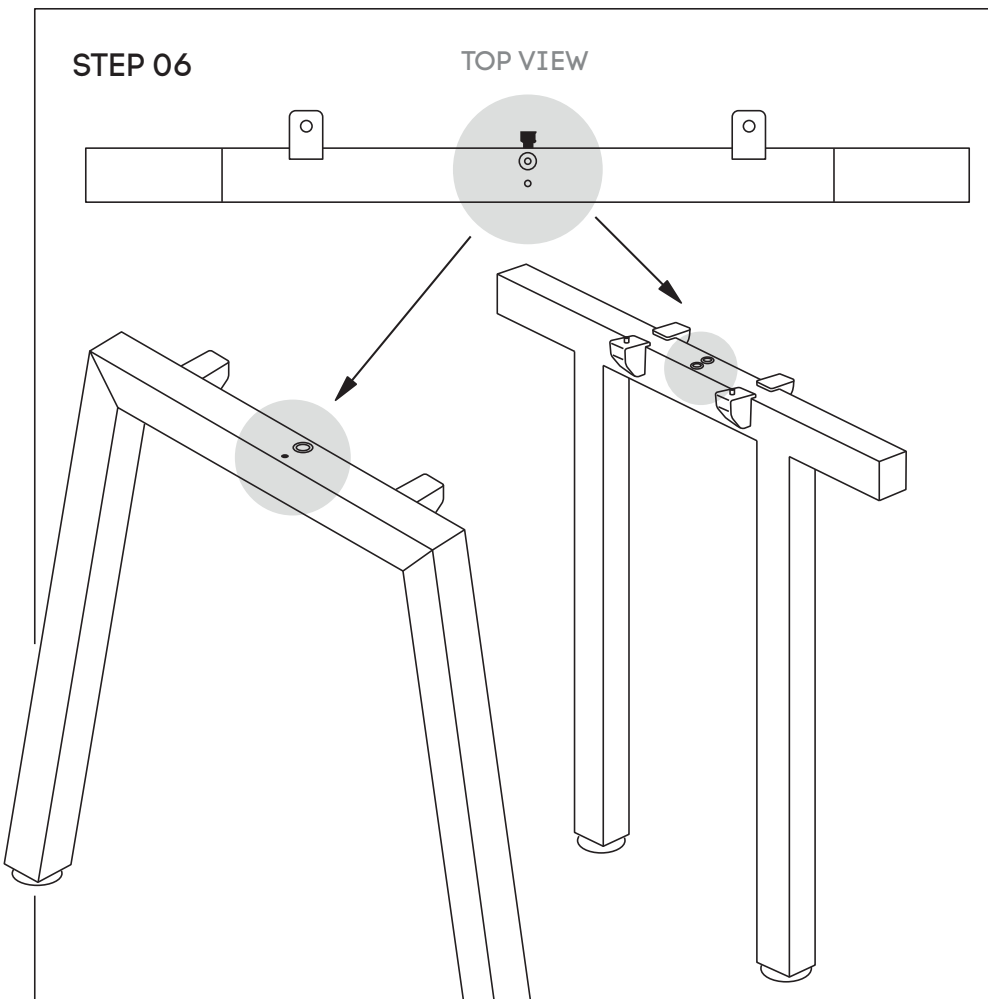
STEP 05

Adjust extendable beam to desired length using markers and secure beam at that length using screws provided



Need help! Call us on **1300 527 665**

Quadro A Wood Boardroom table

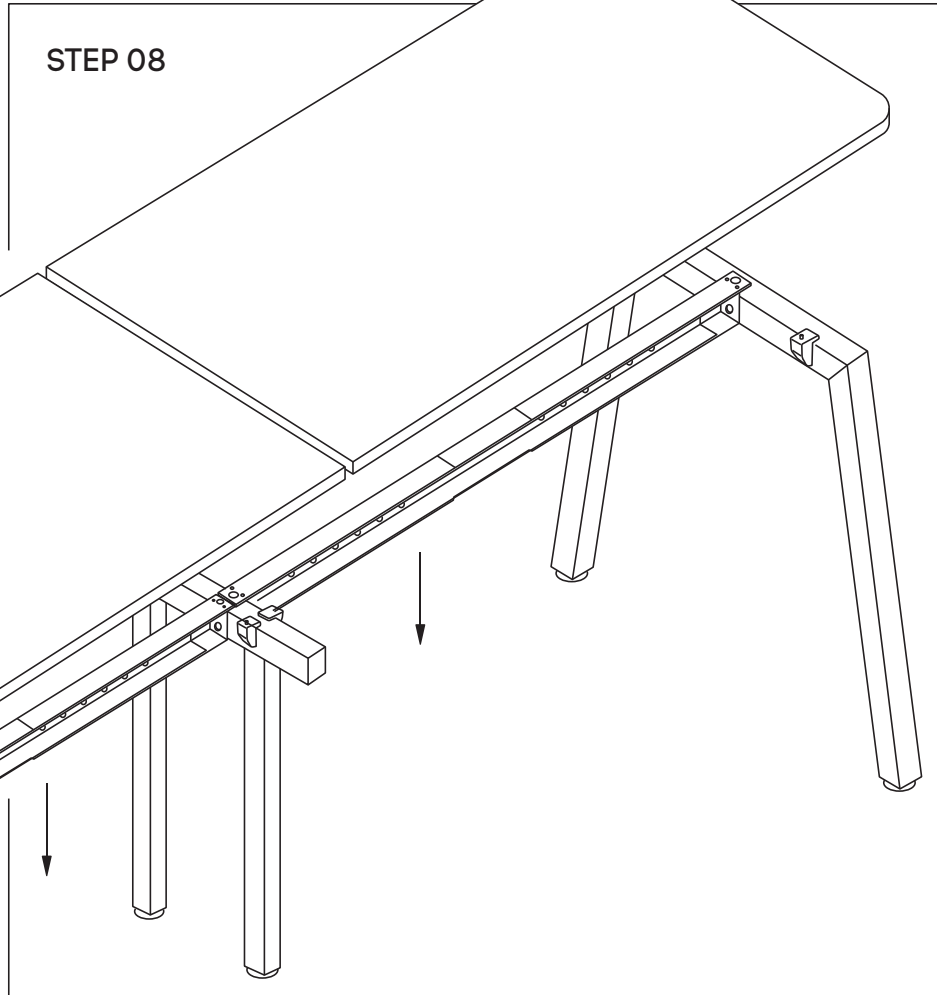


Attach beam **(D)** to legs **(B)** and Connector frame **(C)** using nut insert in legs. See point attached

Frame looks like this. Using Allen Key, attach beam **(D)** with Socket **(F)**

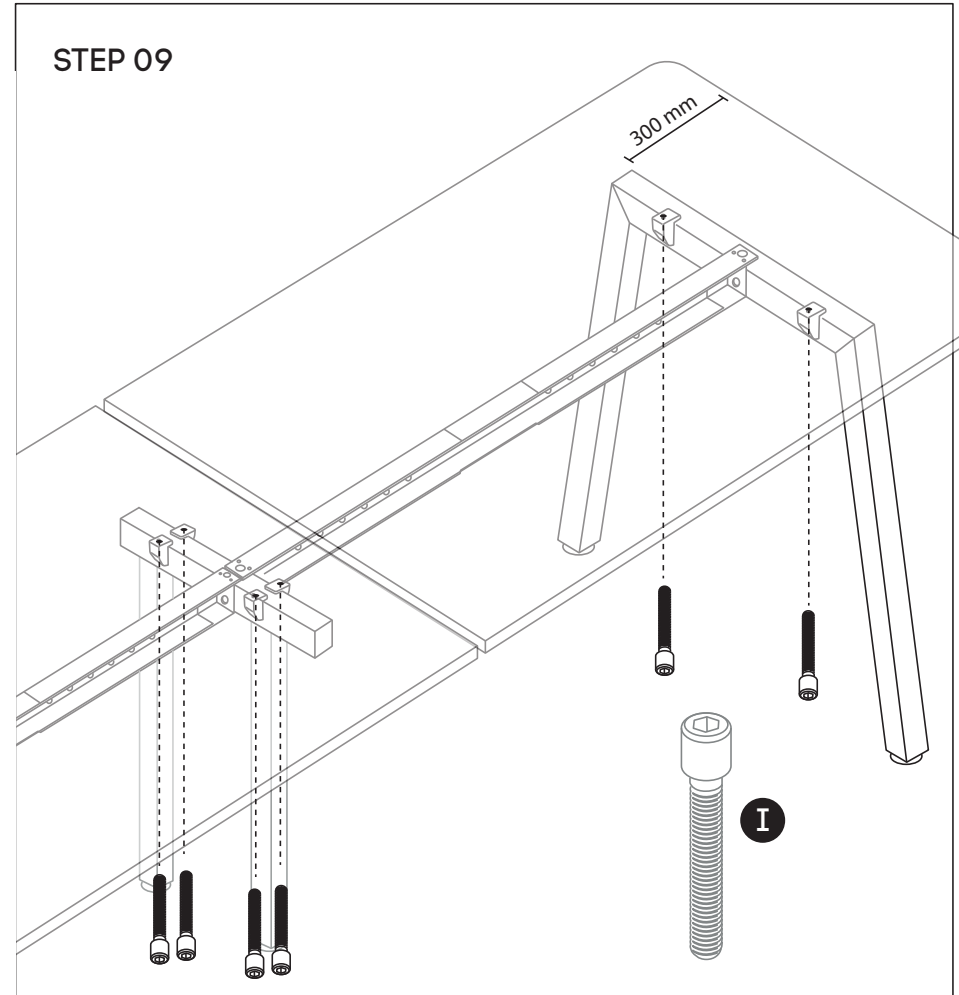
Need help! Call us on **1300 527 665**

Quadro A Wood Boardroom table



STEP 08

Place the desktop on top of the frame. Please place the legs ideally indented around 300mm from each end left and right of the Tops, Place the legs centred at the same distance equally from the front and back of the top.



STEP 09

Please tighten M6x30MM Socket head (I) through the plastic brackets into the underneath of the tops.

Need help!

Call us on **1300 527 665**