

ASSEMBLY INSTRUCTIONS

Quadro A Mobile Counter Table with intermediate legs

www.jasonl.com.au

Need help!

Call us on
1300 527 665

jason.l
your office furniture mate



Sizes:

2400L x 700D mm


2800L x 700D mm

3200L x 700D mm

3600L x 700D mm



Tools Required: Power screwdriver; Allen key set (provided)

 2 persons required for installation

ASSEMBLY INSTRUCTIONS

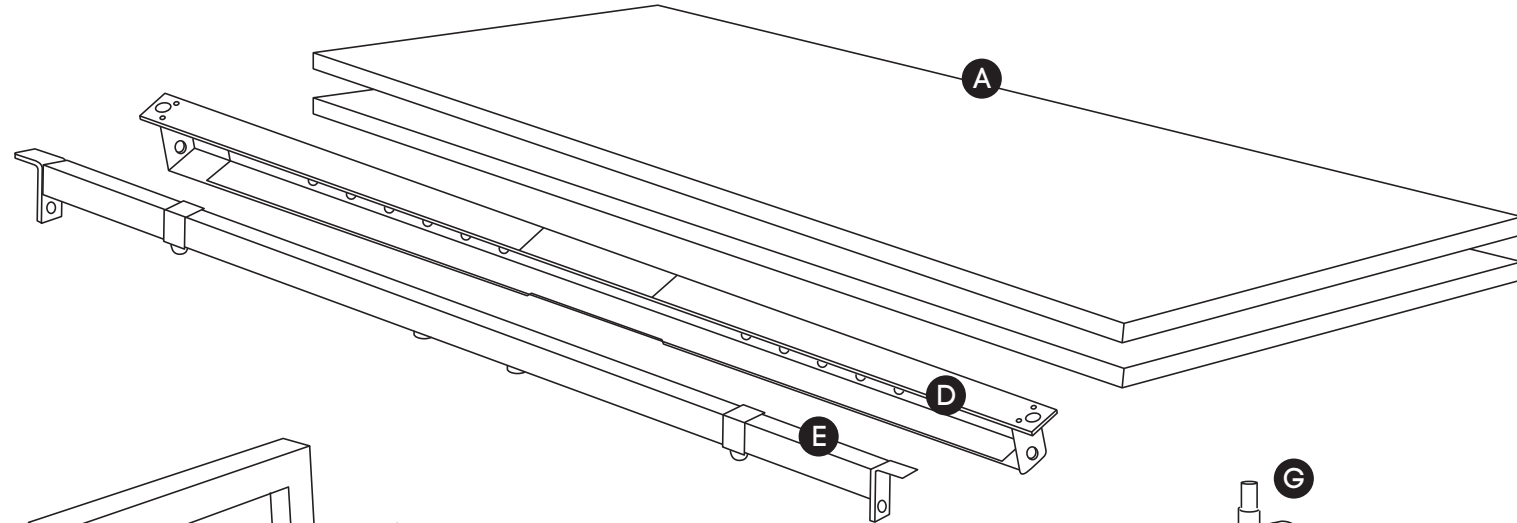
Quadro A Mobile Counter Table with intermediate legs

www.jasonl.com.au

Need help!

Call us on
1300 527 665

jason.l
your office furniture mate



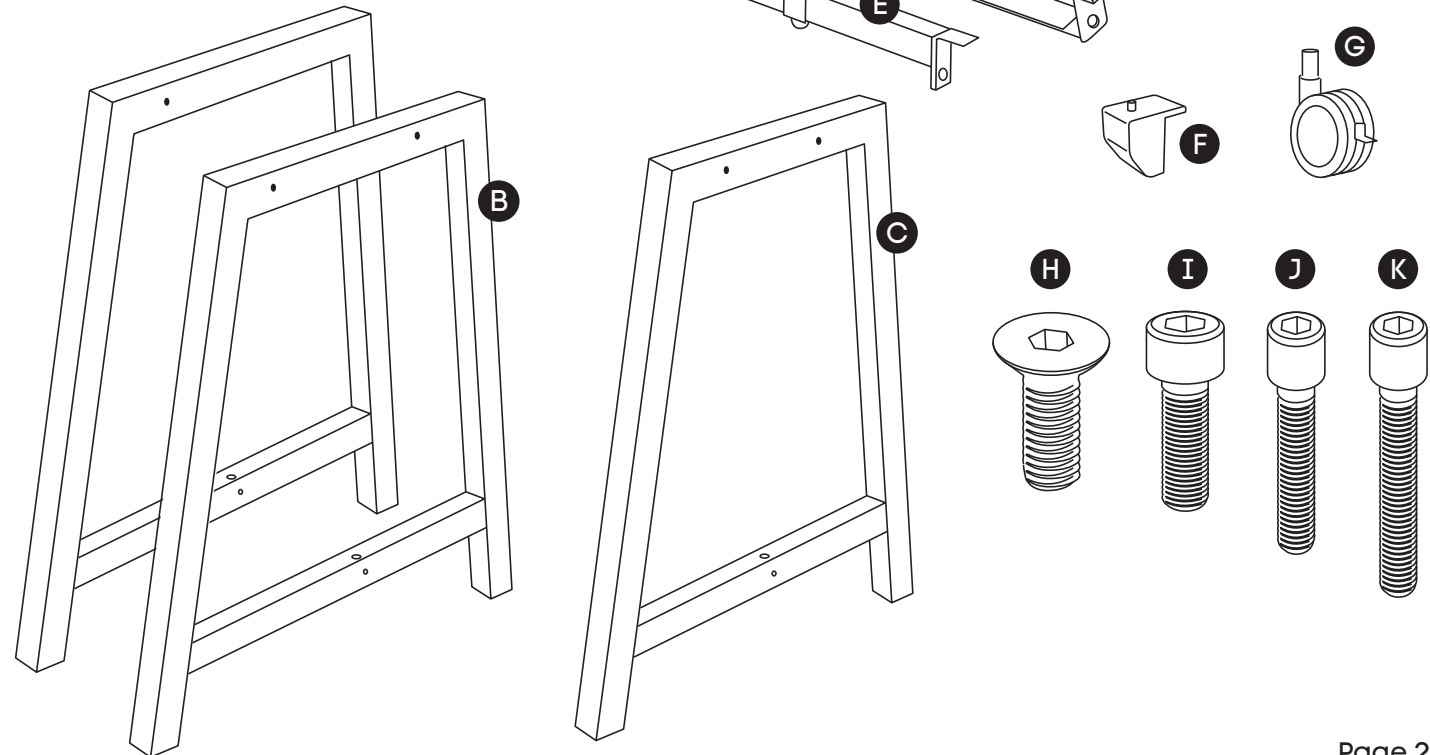
COMPONENTS

- A Table top x2
- B Leg Quadro A x2
- C Intermediate Leg Quadro A x1
- D Upper beam x2
- E Lower beam x2
- F Plastic bracket x8
- G Wheels x6

SCREWS

- H M8x20MM CSK x12
- I M8x20MM socket head x4
- J M6x20MM socket head x8
- K M6x30MM socket head x8

L Allen key



ASSEMBLY INSTRUCTIONS

Quadro A

Mobile Counter Table

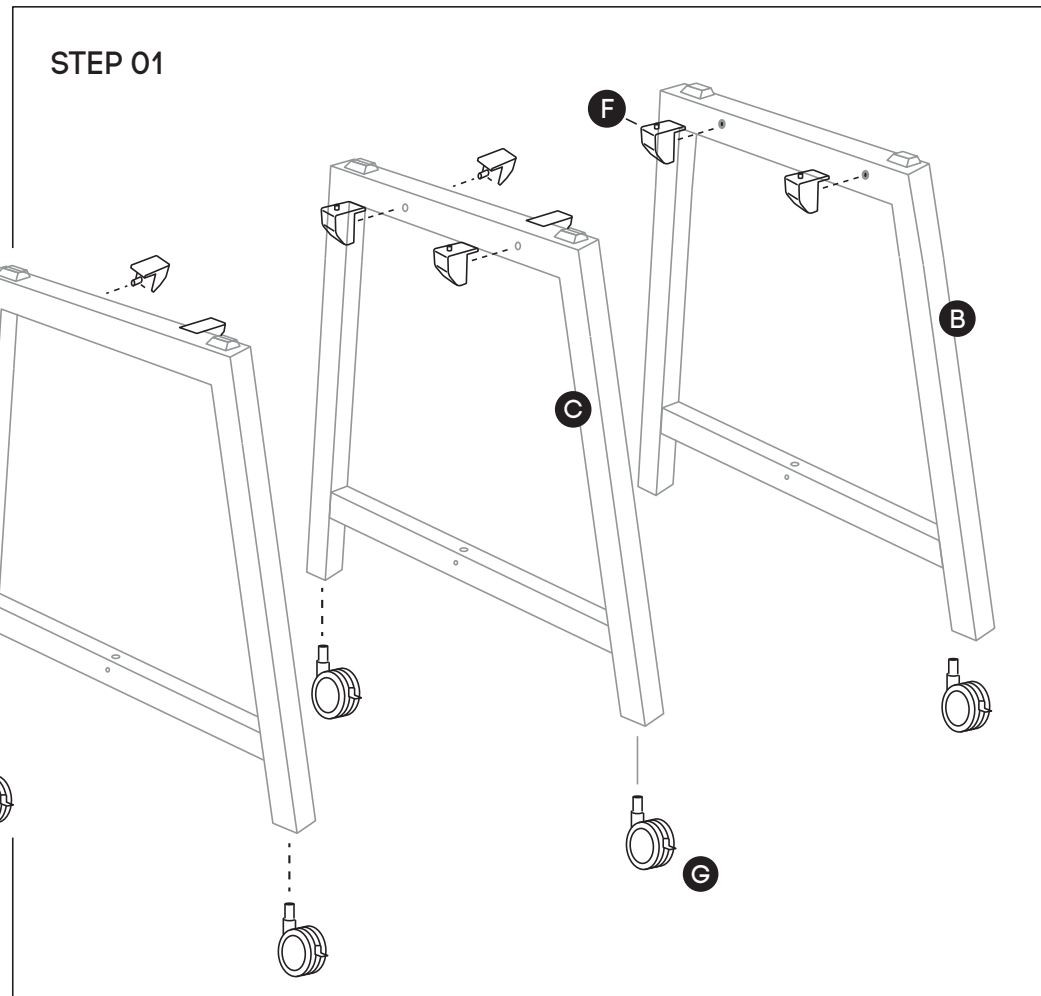
with intermediate legs

www.jasonl.com.au

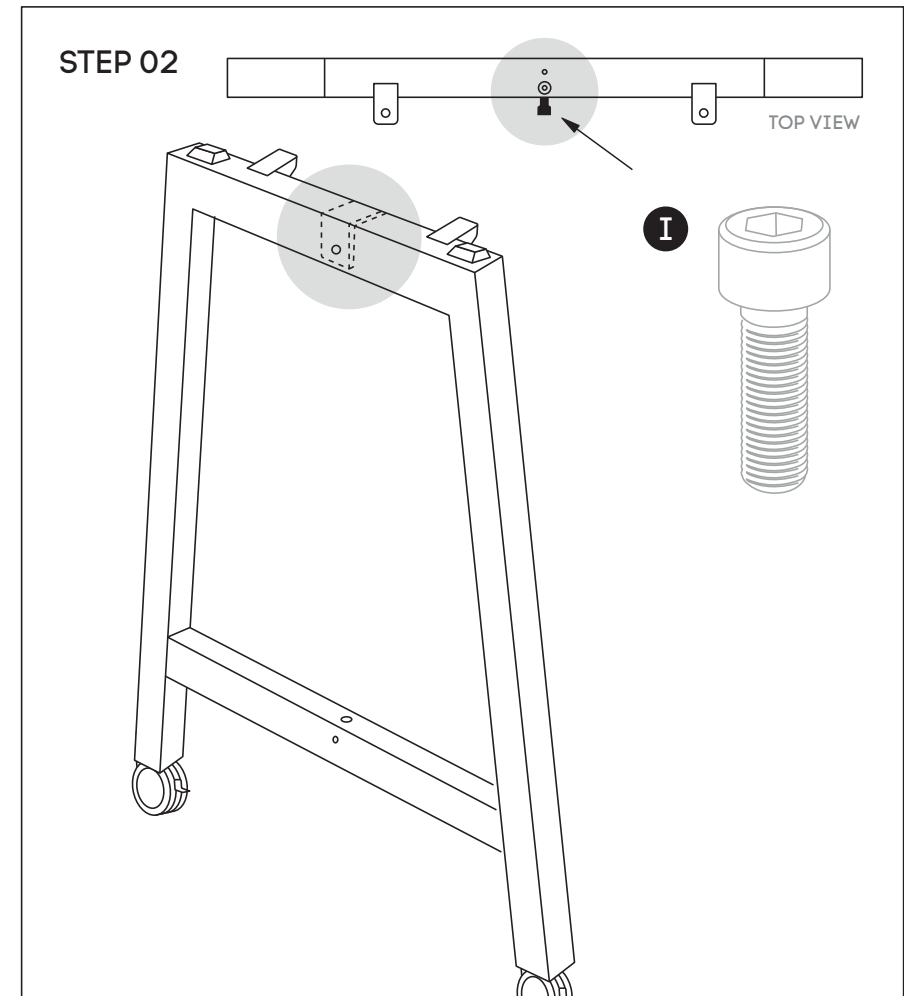
Need help!

Call us on
1300 527 665

jason.l
your office furniture mate



Using Allen Key provided, attach 2 plastic brackets (**F**) per exterior leg (**B**) (as per picture above) using M6x20MM (**J**) Socket head screw. Attach 4 plastic brackets (**F**) to the Intermediate leg (**C**) using M6x20MM (**J**).
Screw the wheels (**G**) to the bottom of each Leg.



Using Allen Key provided, attach M8x20MM Socket head (**I**)-screw socket half way into legs.

ASSEMBLY INSTRUCTIONS

Quadro A Mobile Counter Table with intermediate legs

www.jasonl.com.au

Need help!

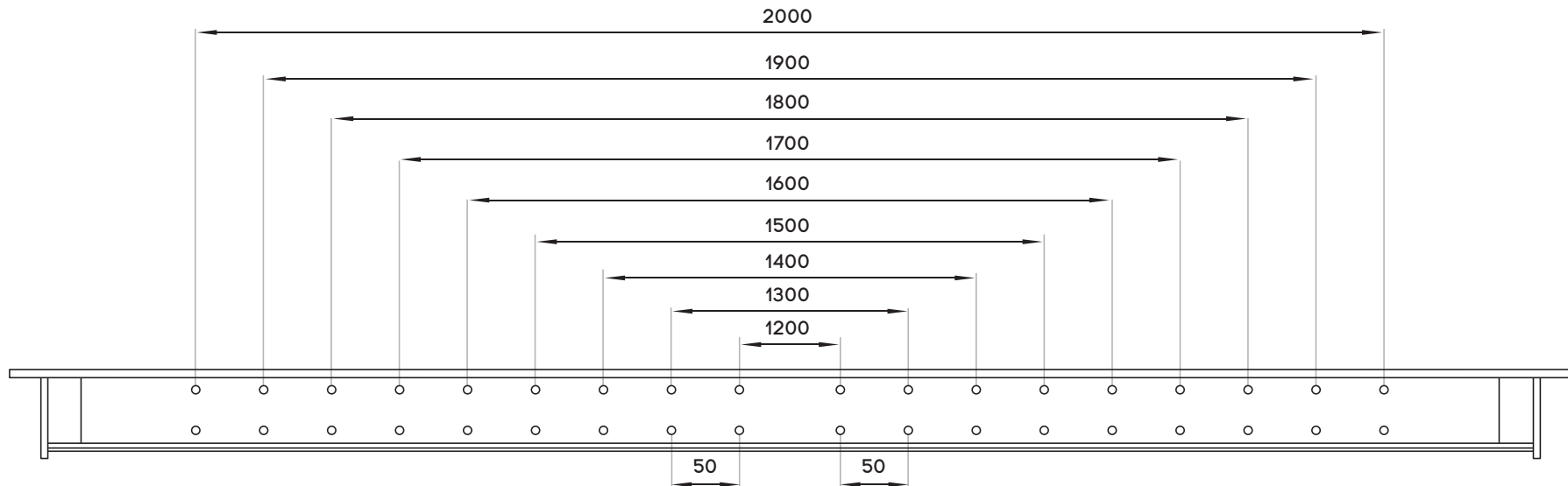
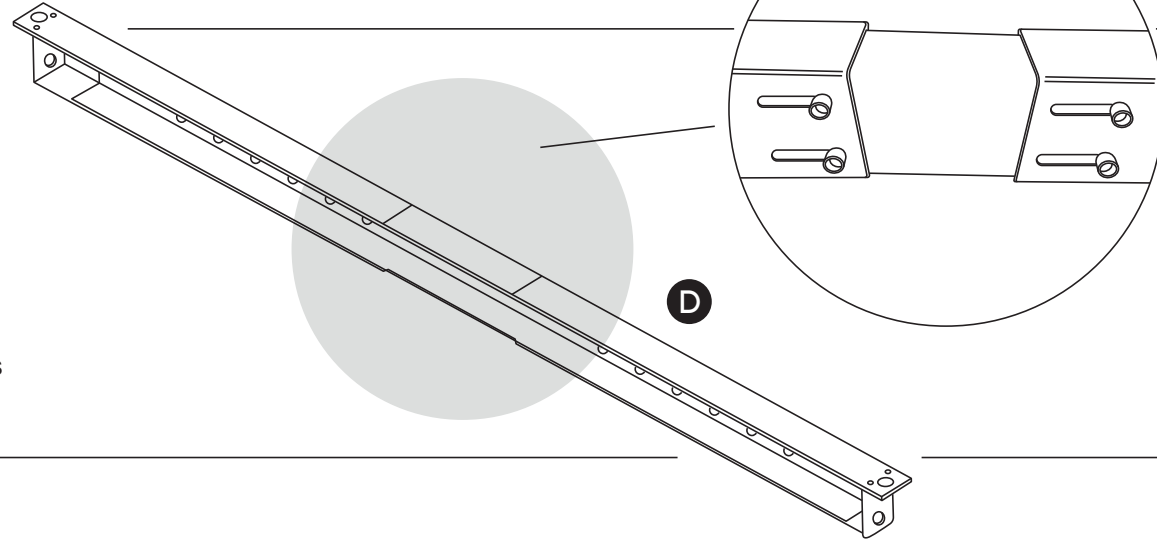
Call us on
1300 527 665

jason.l
your office furniture mate



STEP 03

Adjust extendable beams **(D)** to desired length using markers and secure beams at that length using screws provided.



ASSEMBLY INSTRUCTIONS

Quadro A Mobile Counter Table with intermediate legs

www.jasonl.com.au

Need help!

Call us on
1300 527 665

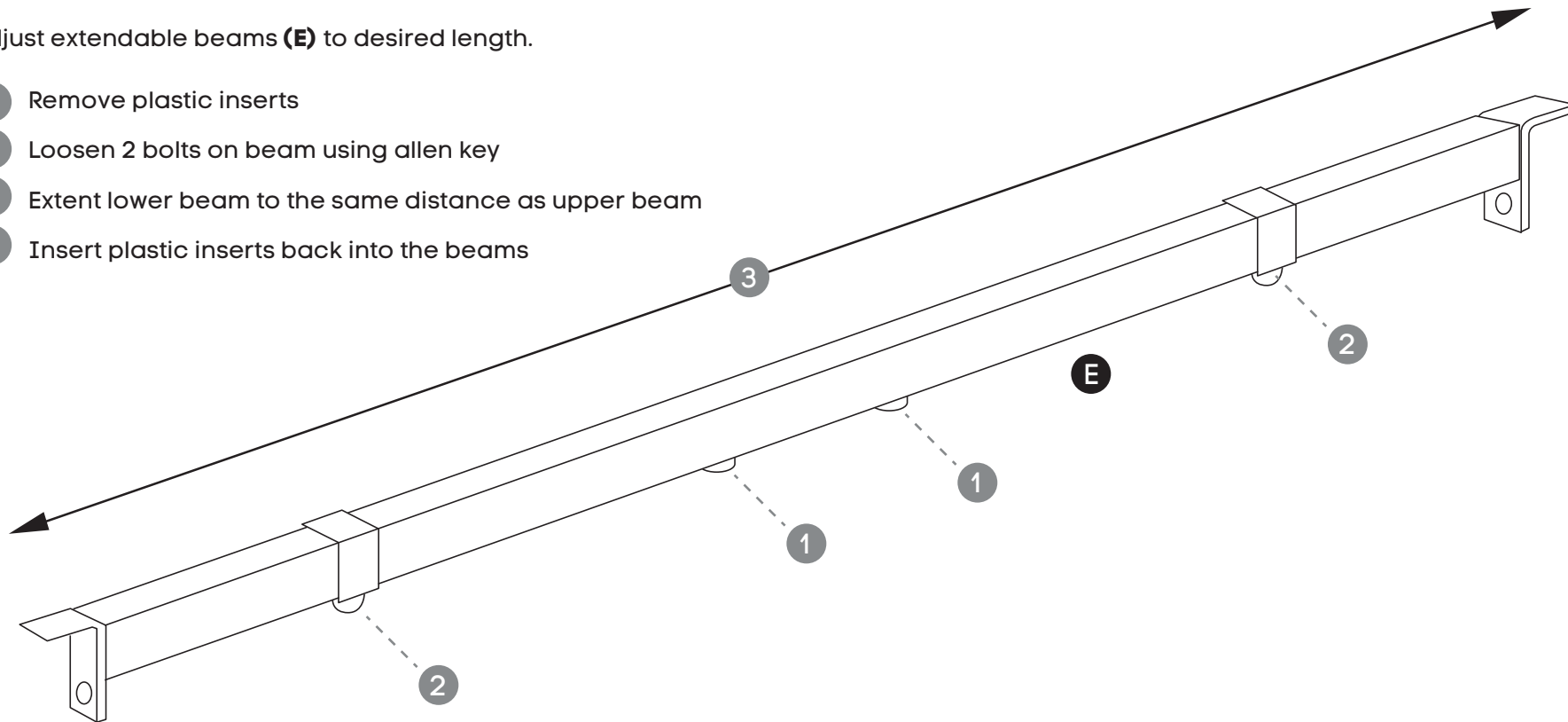
jason.l
your office furniture mate



STEP 04

Adjust extendable beams (**E**) to desired length.

- 1 Remove plastic inserts
- 2 Loosen 2 bolts on beam using allen key
- 3 Extent lower beam to the same distance as upper beam
- 4 Insert plastic inserts back into the beams



ASSEMBLY INSTRUCTIONS

Quadro A

Mobile Counter Table

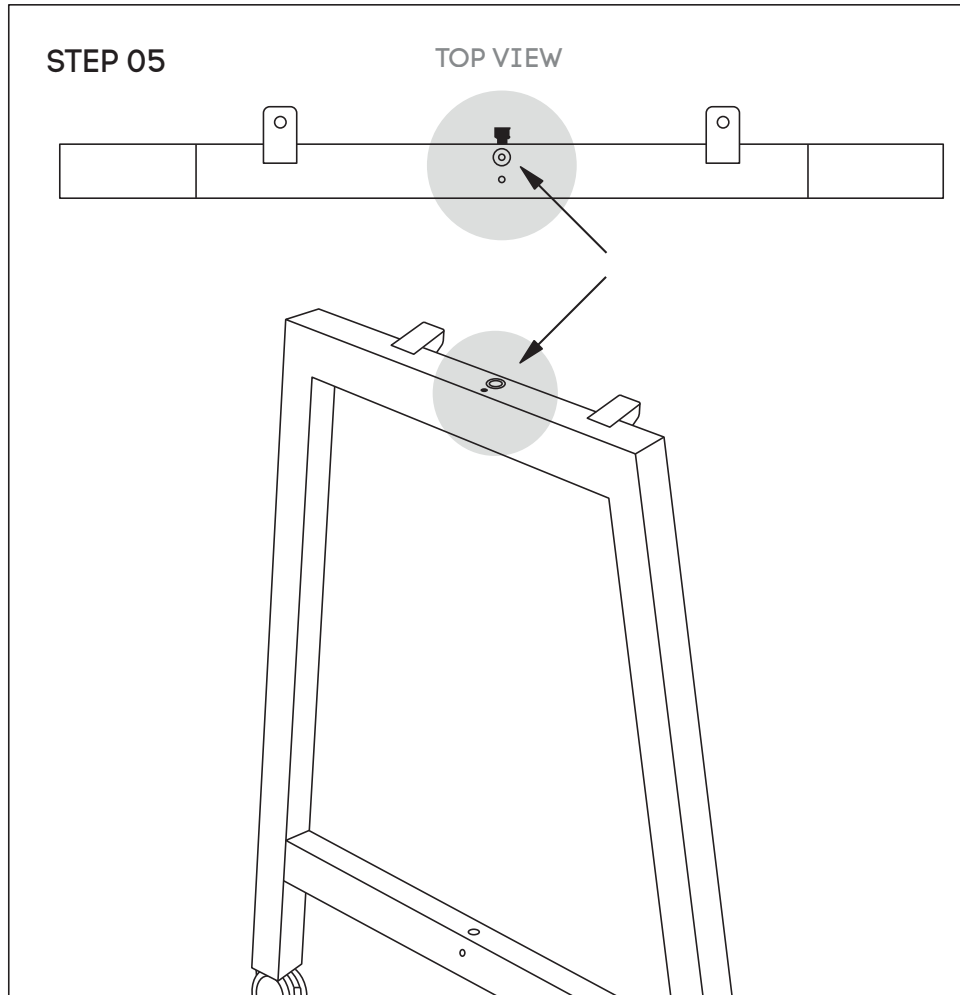
with intermediate legs

www.jasonl.com.au

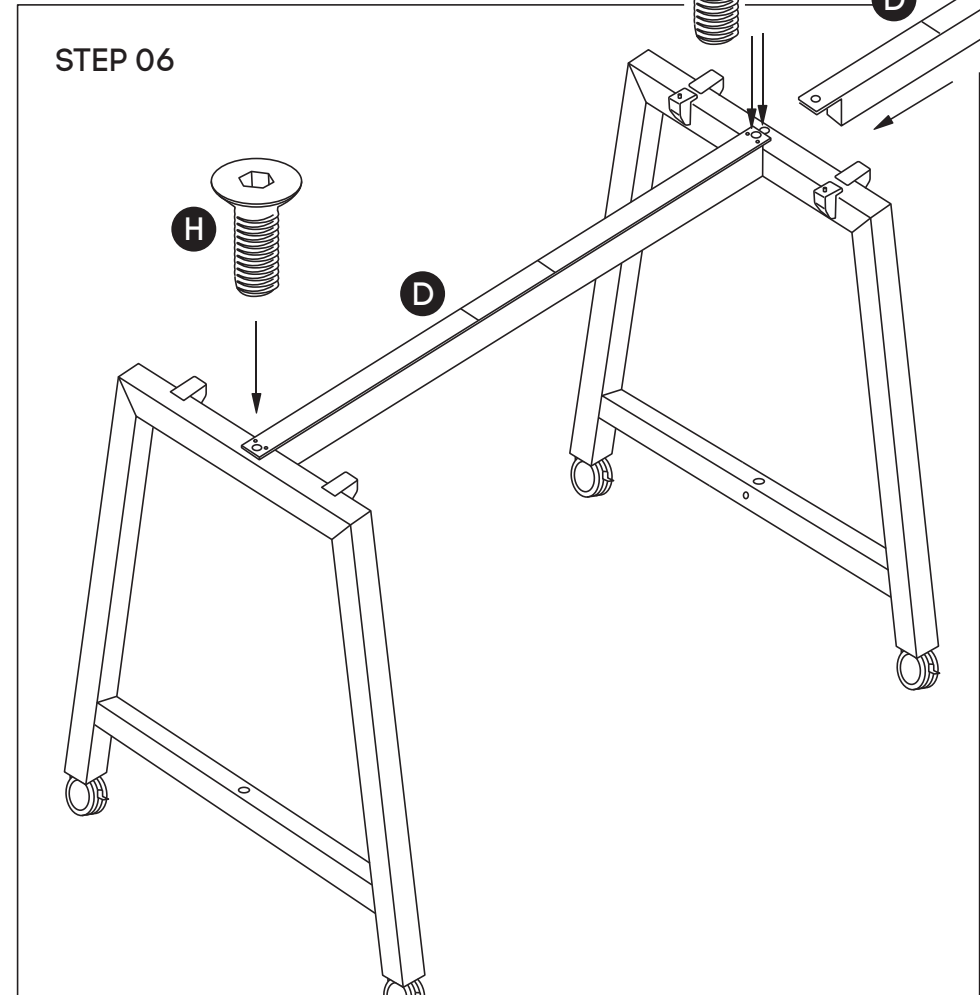
Need help!

Call us on
1300 527 665

jason.l
your office furniture mate



Attach Upper Beams **(D)** to legs using nut insert.
See point attached



Frame looks like this. Using Allen Key, attach Upper Beams **(D)** with Sockets **(H)**.

ASSEMBLY INSTRUCTIONS

Quadro A Mobile Counter Table with intermediate legs

www.jasonl.com.au

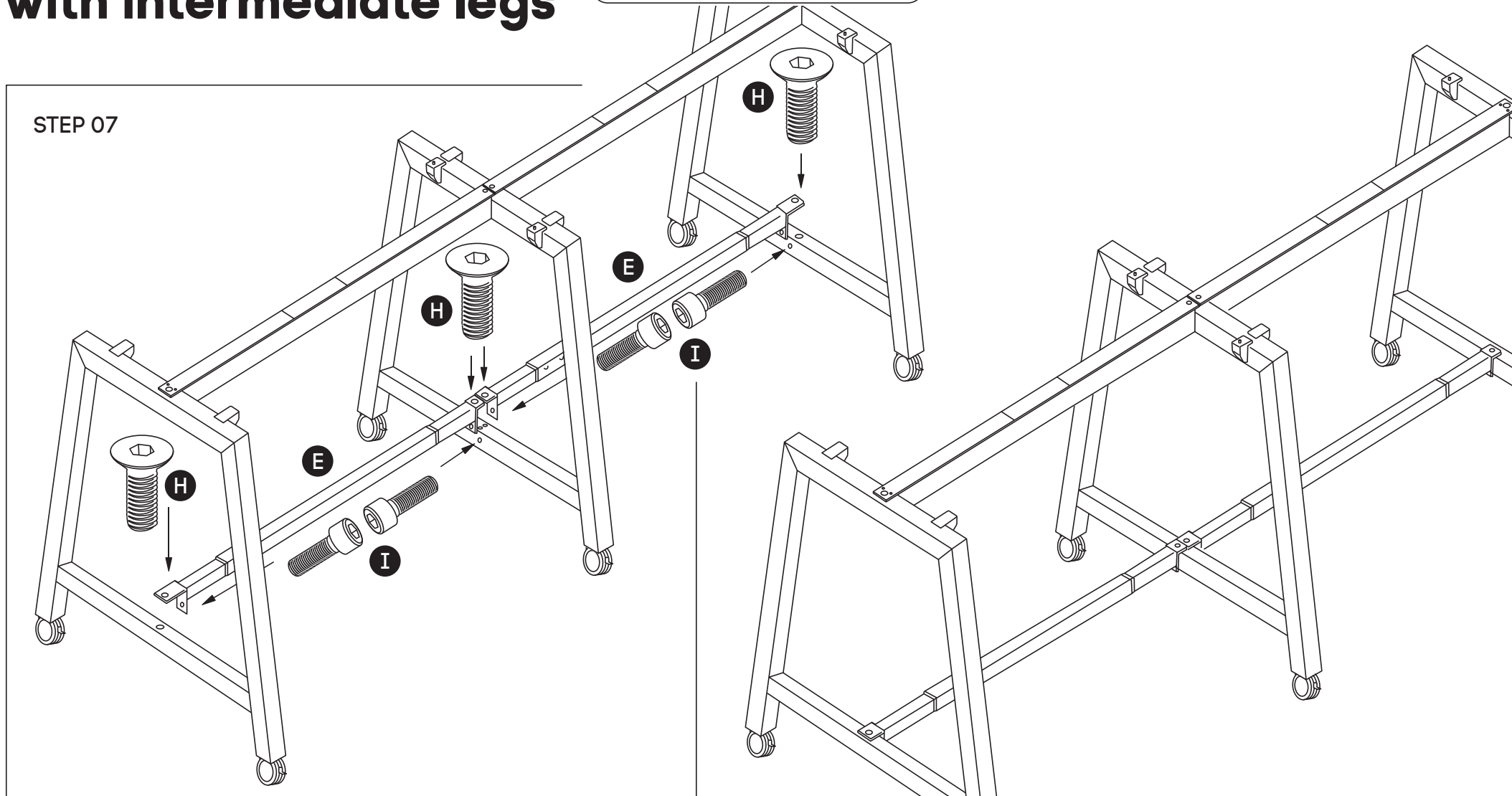
Need help!

Call us on
1300 527 665

jason.l
your office furniture mate



STEP 07



Using Allen Key. Tighten Sockets **(H)** on the Lower Beam **(E)** using Allen Key **(L)**. Insert plastic spacers to improve rigidity. Attach two Sockets **(I)** to the side of the lower side beams (as shown in the picture).

Frame looks like this.

ASSEMBLY INSTRUCTIONS

Quadro A Mobile Counter Table with intermediate legs

www.jasonl.com.au

Need help!

Call us on
1300 527 665

jason.l
your office furniture mate

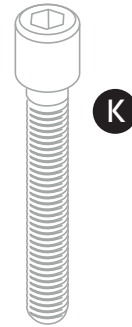
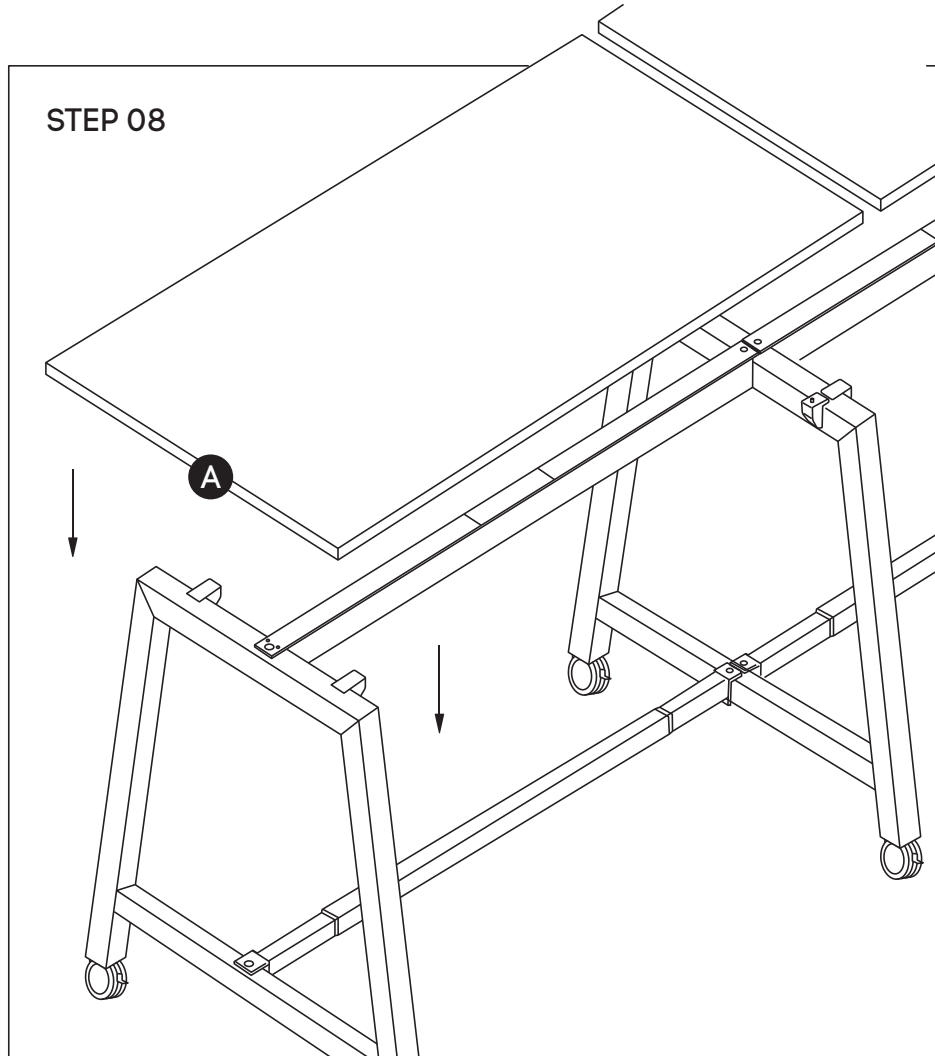
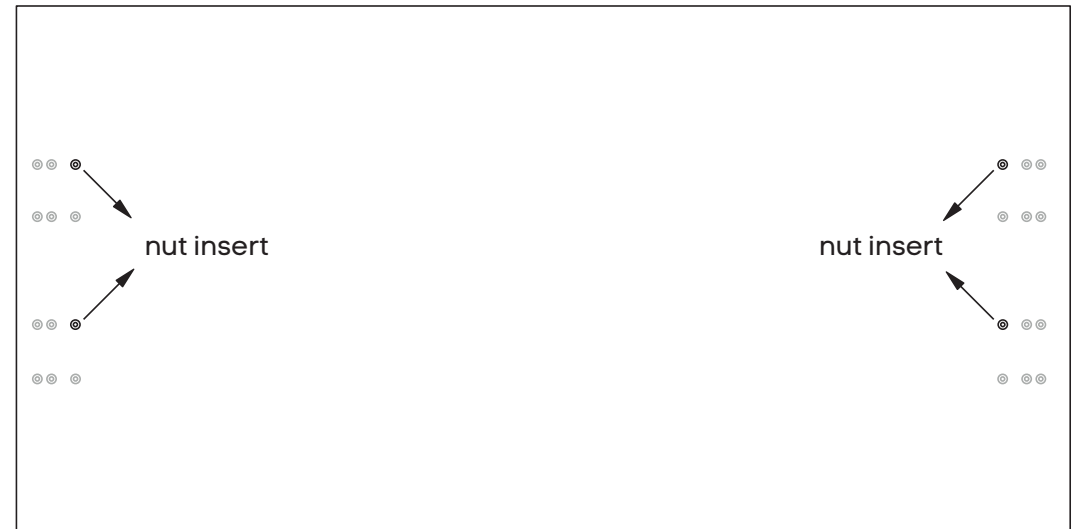


TABLE TOP
BOTTOM VIEW



Place desktops **(A)** on top of frames. Nut inserts in top will align with plastic joiner brackets using M6x30MM **(K)** sockets attached tops to frames.