


Quadro A Boardroom table

Sizes:
1800x1100



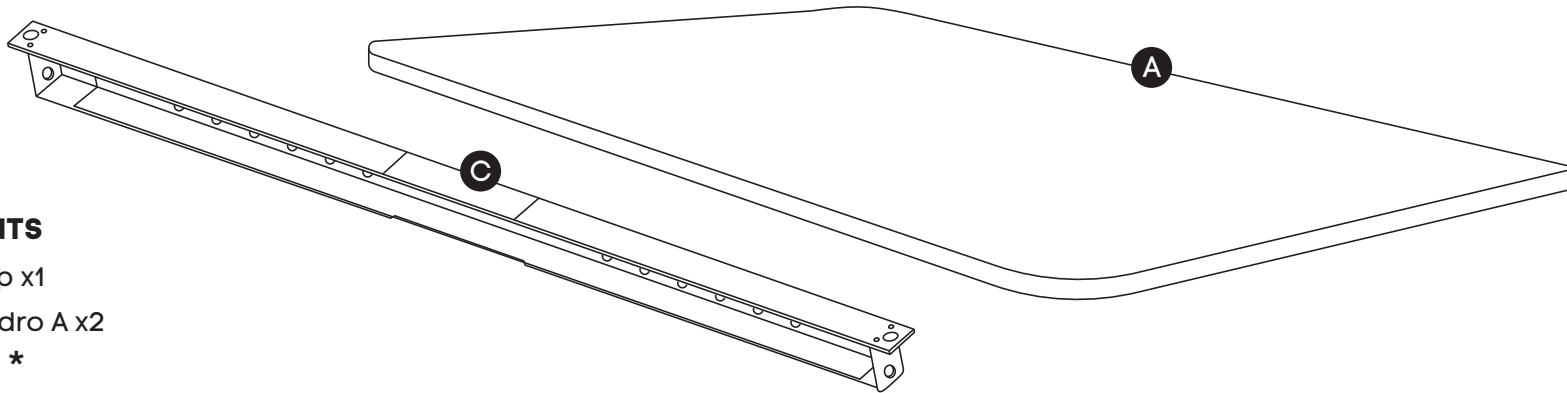
Tools Required: Power screwdriver; Allen key set (provided)

 2 persons required for installation

Need help!

Call us on **1300 527 665**

Quadro A Boardroom table



COMPONENTS

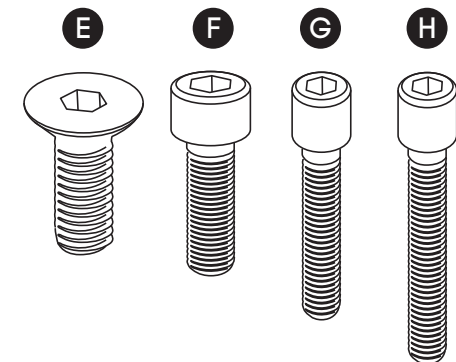
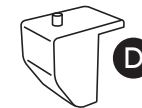
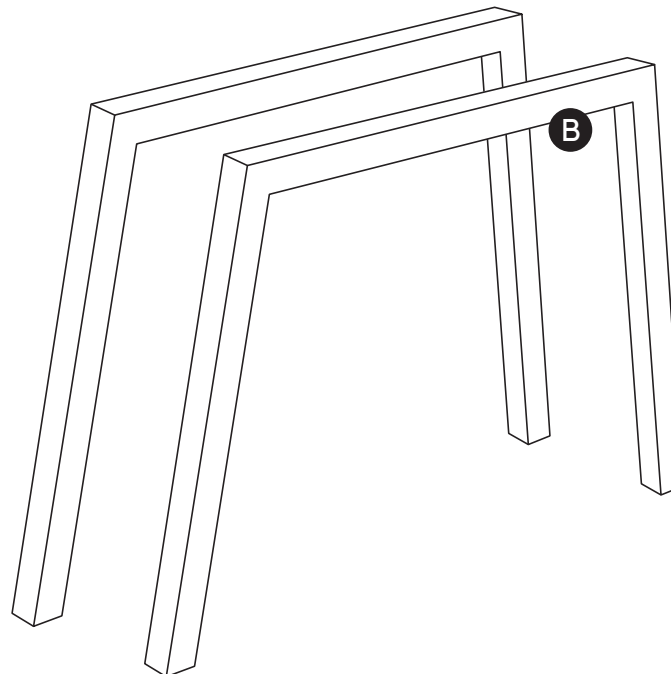
- A Table top x1
- B Leg Quadro A x2
- C Beam x1 *
- D Plastic bracket x4

SCREWS

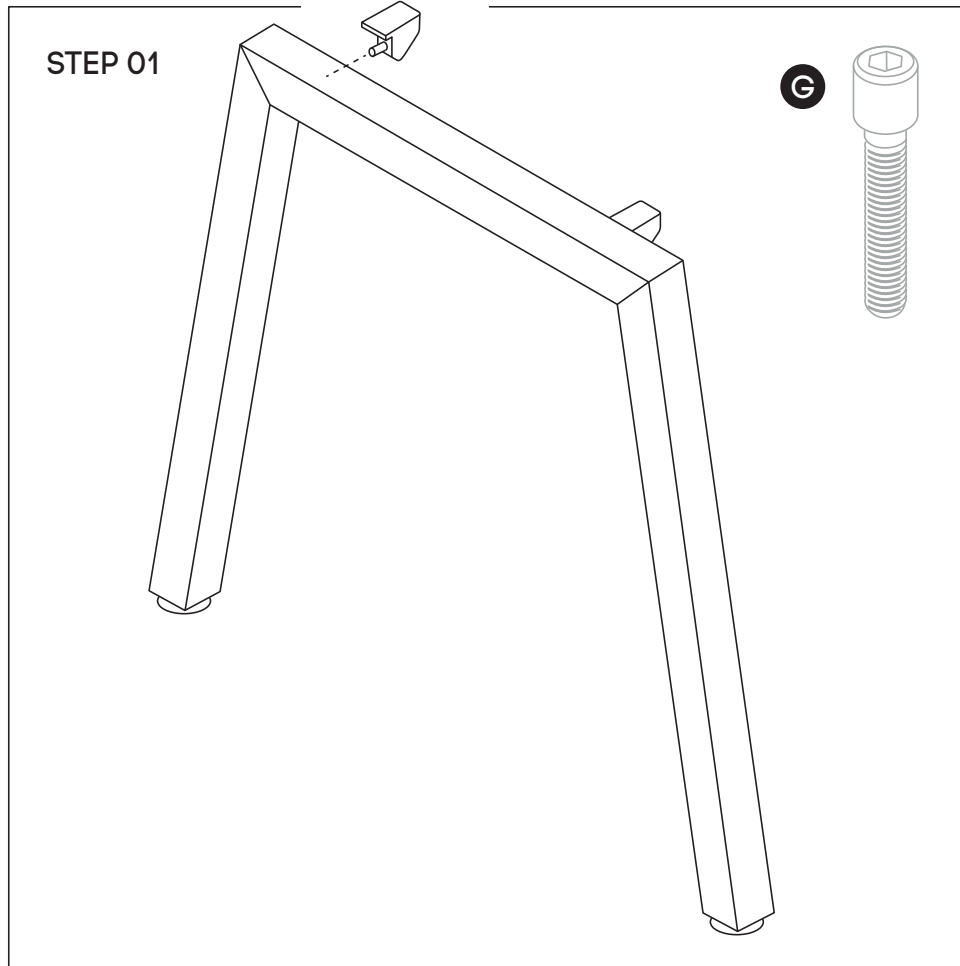
- E M8x20MM CSK x2
- F M8x20MM Socket head x2
- G M6x20MM Socket head x4
- H M6x30mm Socket head x4

- I Allen key x2

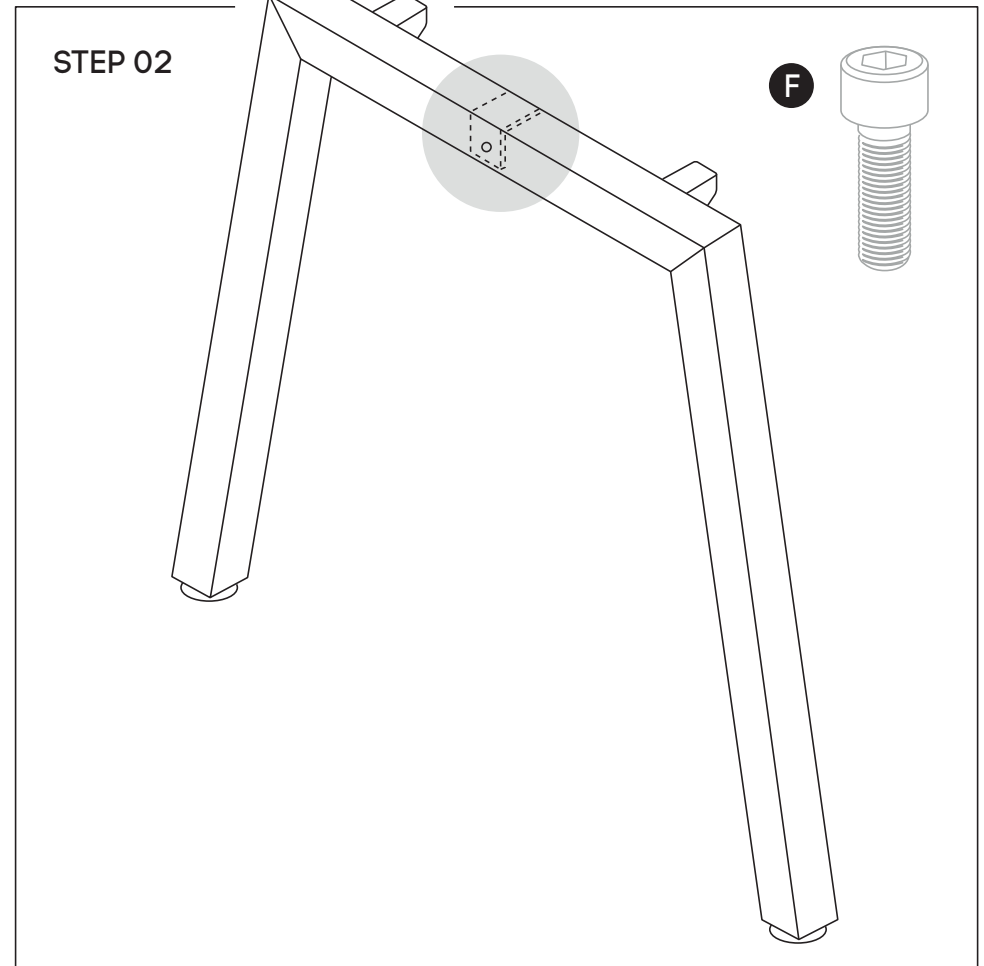
* Colour of the beam is always black, regardless desk frame colour.



Quadro A Boardroom table



Using Allen Key provided, attach 2 plastic brackets per leg (D) (as per picture above) using M6x20MM (G) Socket head screw



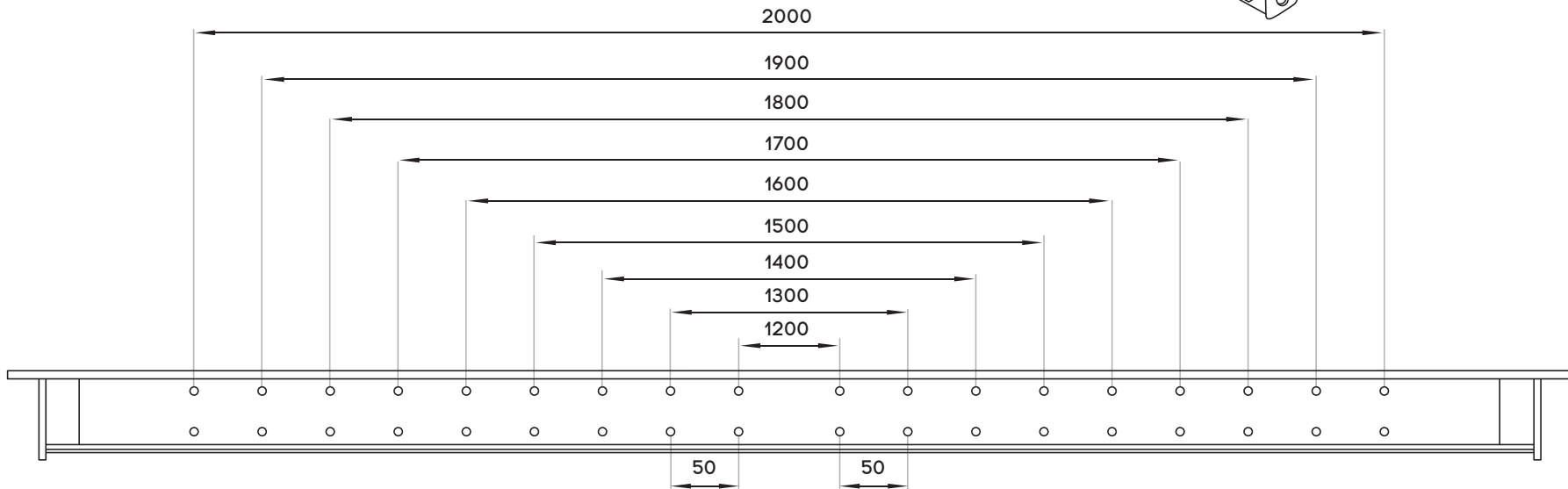
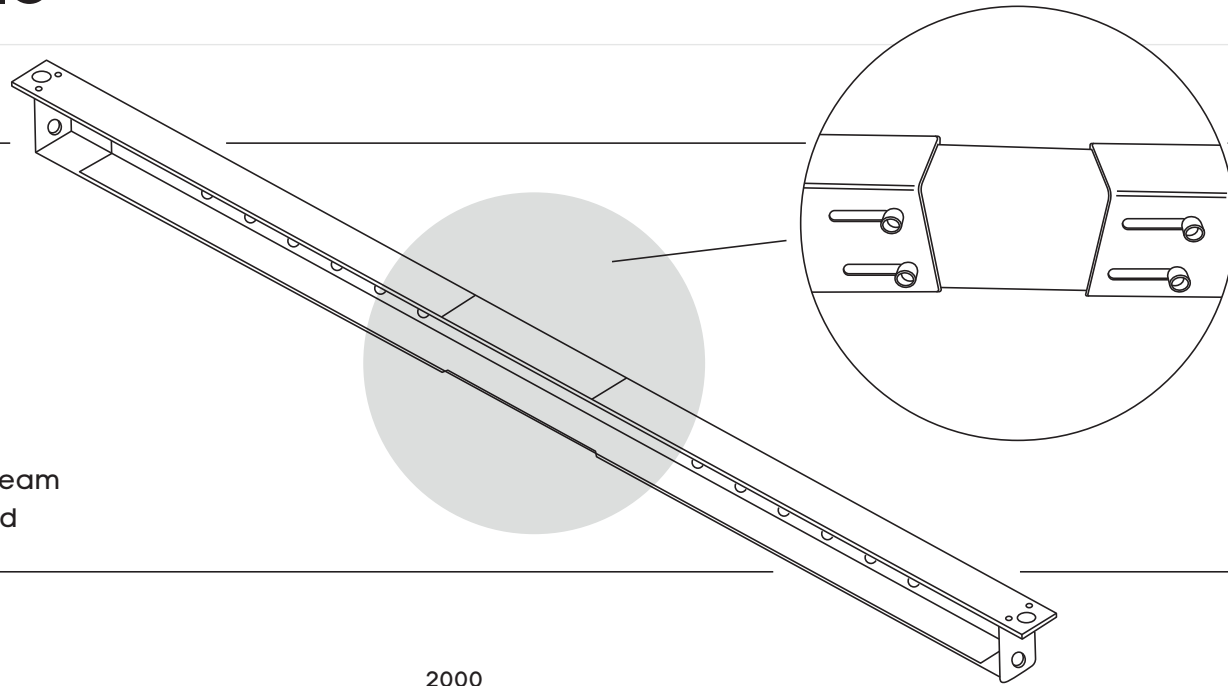
Using Allen Key provided, attach M8x20MM Socket head (F)-screw socket half way into leg for both legs (B)

Quadro A Boardroom table

STEP 03

Secure 1200mm beam (C)

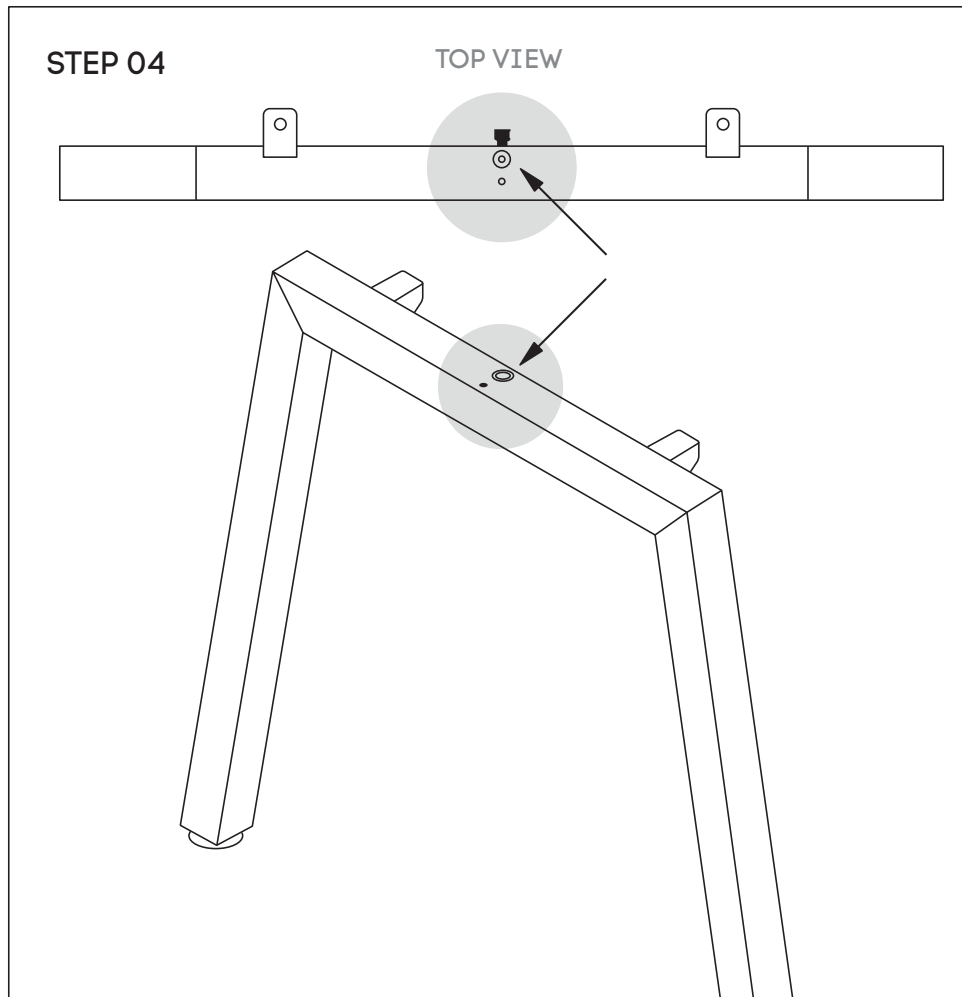
Adjust extendable beam to desired length using markers and secure beam at that length using screws provided



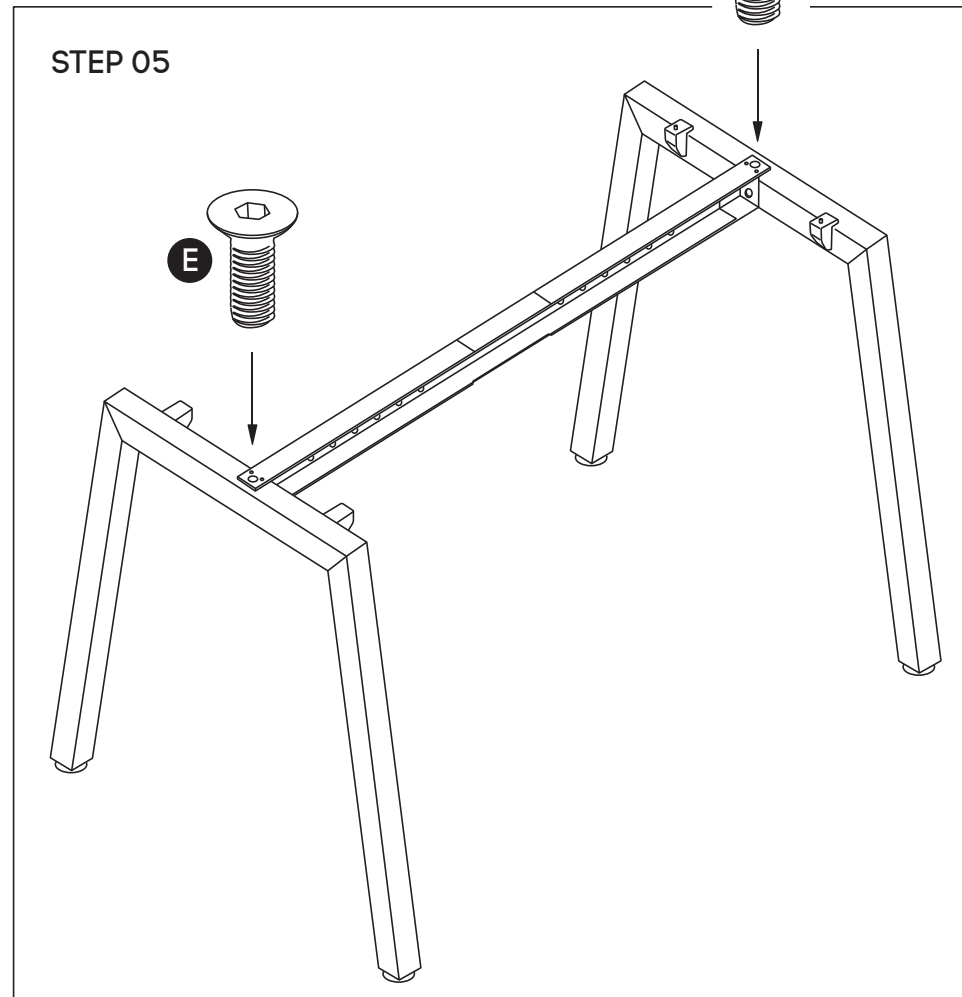
Need help!

Call us on **1300 527 665**

Quadro A Boardroom table



Attach beam **(C)** to legs **(B)** using nut insert in legs.
See point attached



Frame looks like this. Using Allen Key, attach beam **(C)** with Socket **(E)**

Need help! Call us on **1300 527 665**

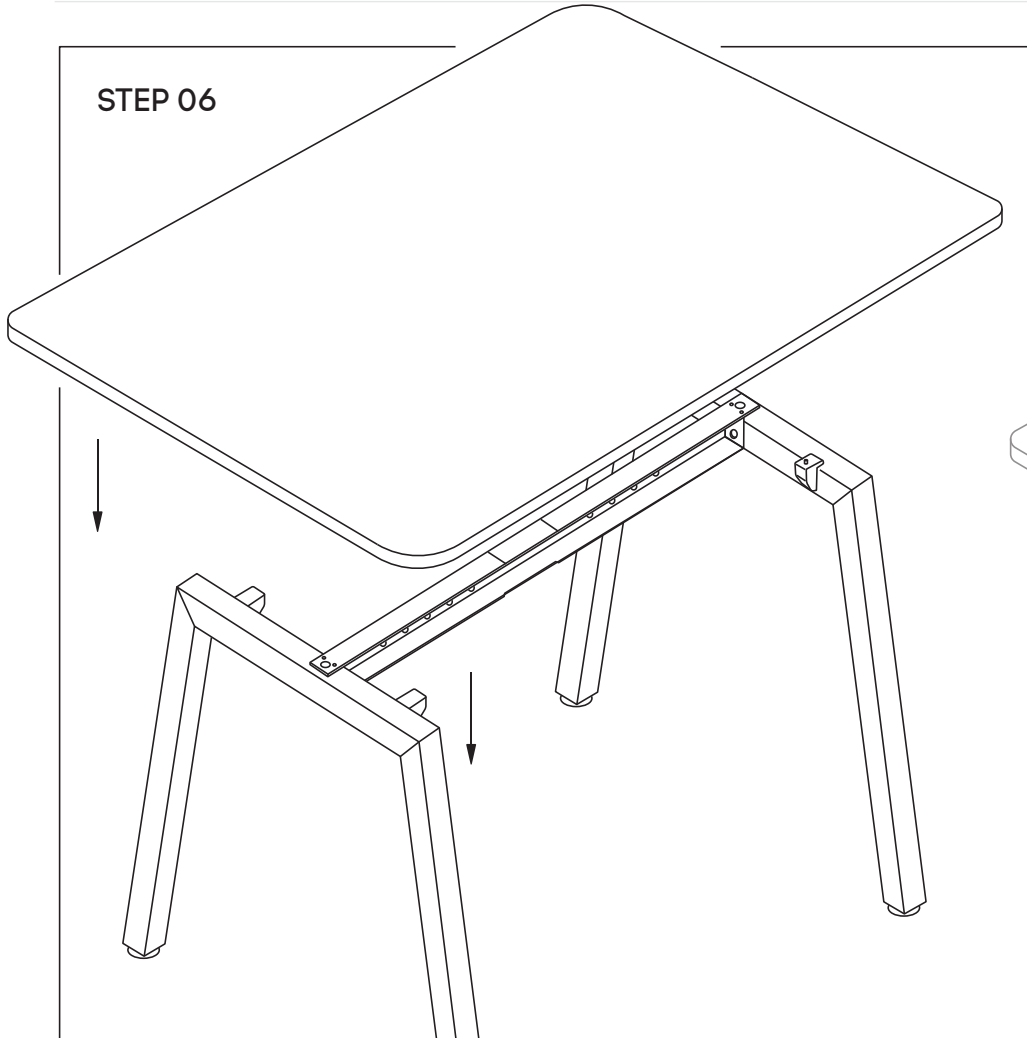
Quadro A Boardroom table

jason.l



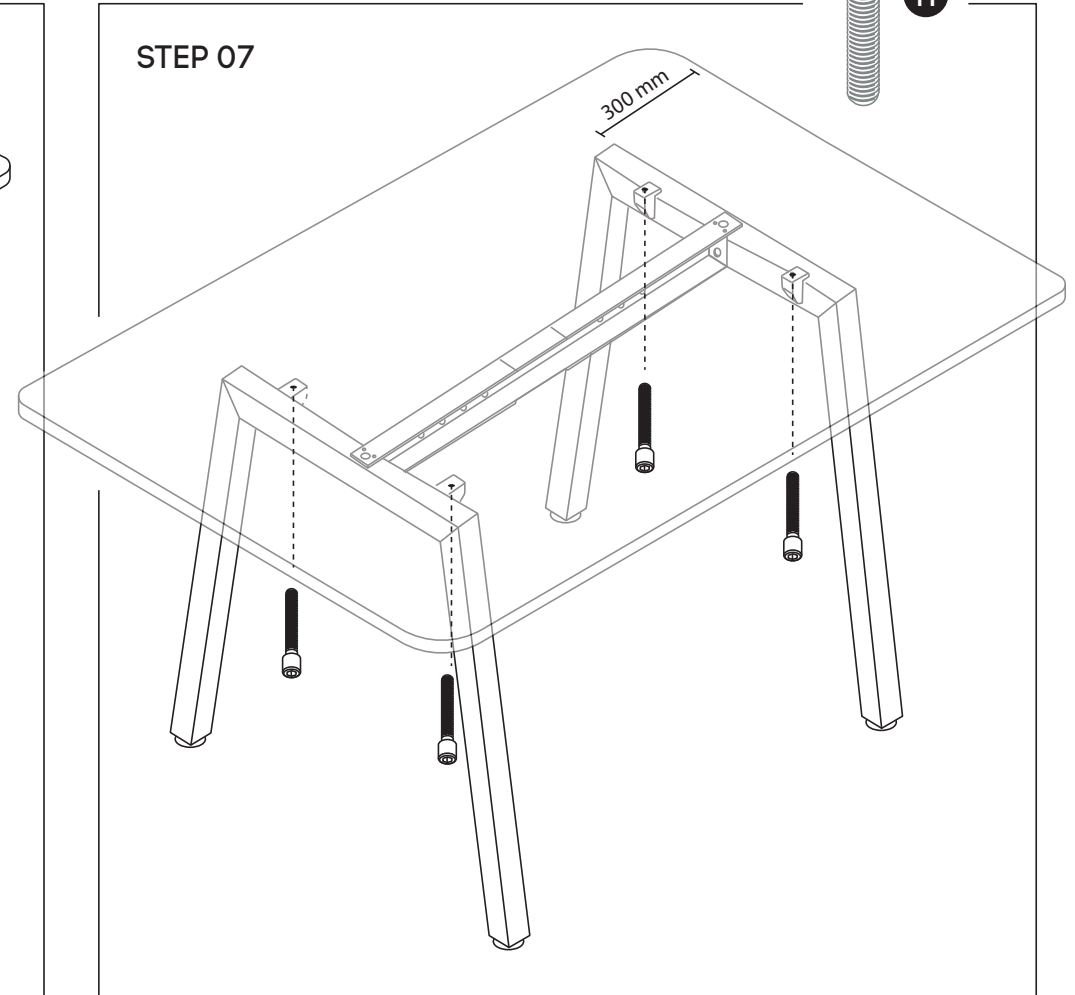
H

STEP 06



Place the desktop on top of the frame. Please place the legs ideally indented around 300mm from each end left and right of the Tops, Place the legs centred at the same distance equally from the front and back of the top.

STEP 07



Please tighten M6x30MM Socket head (H) through the plastic brackets into the underneath of the tops.

Need help!

Call us on **1300 527 665**