

**ASSEMBLY INSTRUCTIONS**  
**Quadro Loop**  
**3P Run workstation**

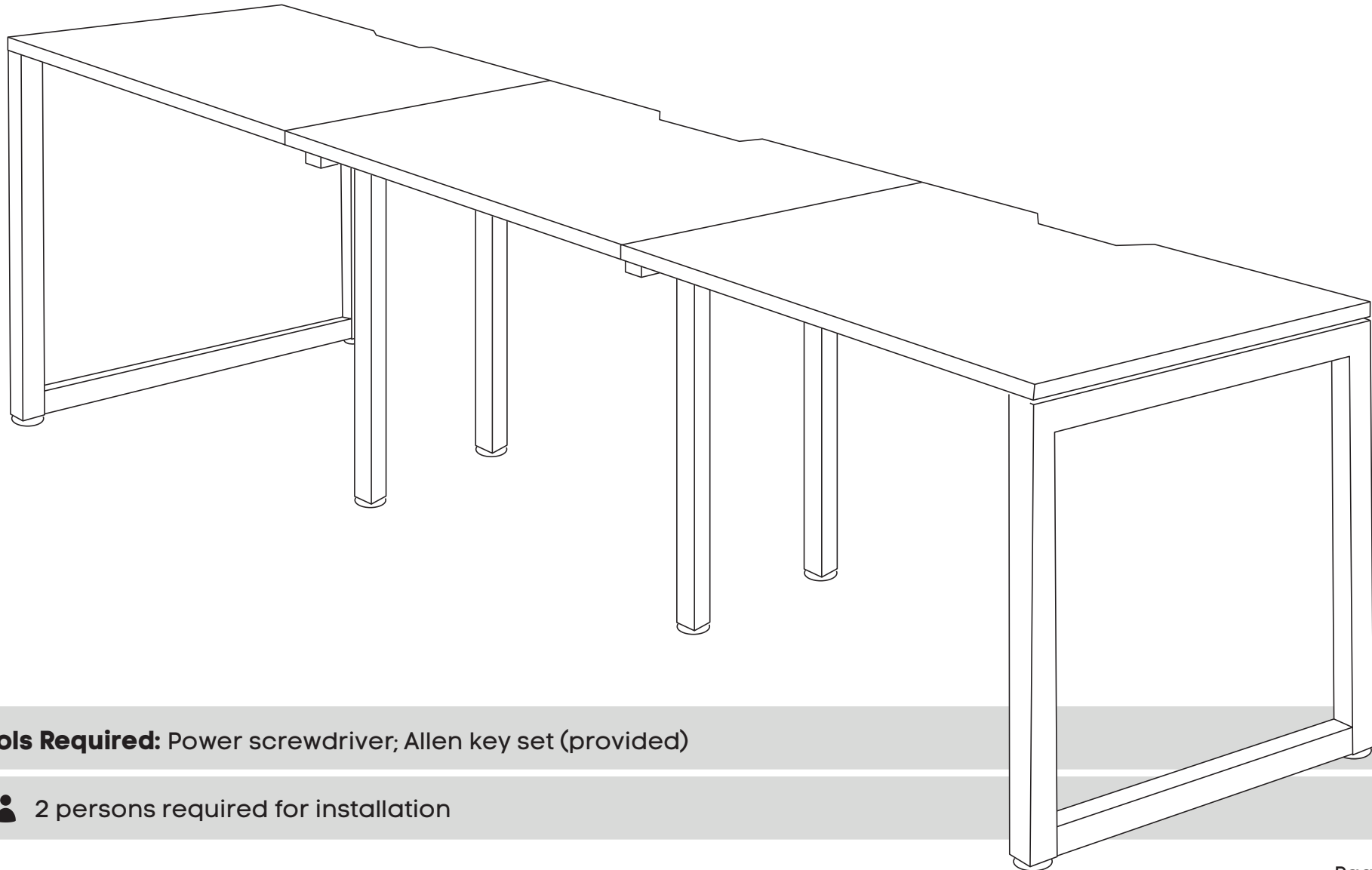
Sizes: 1200, 1400, 1600, 1800 mm

[www.jasonl.com.au](http://www.jasonl.com.au)


**Need help!**

Call us on  
**1300 527 665**

**jason.l**  
your office furniture mate



**Tools Required:** Power screwdriver; Allen key set (provided)

 2 persons required for installation

# ASSEMBLY INSTRUCTIONS

## Quadro Loop

### 3P Run workstation

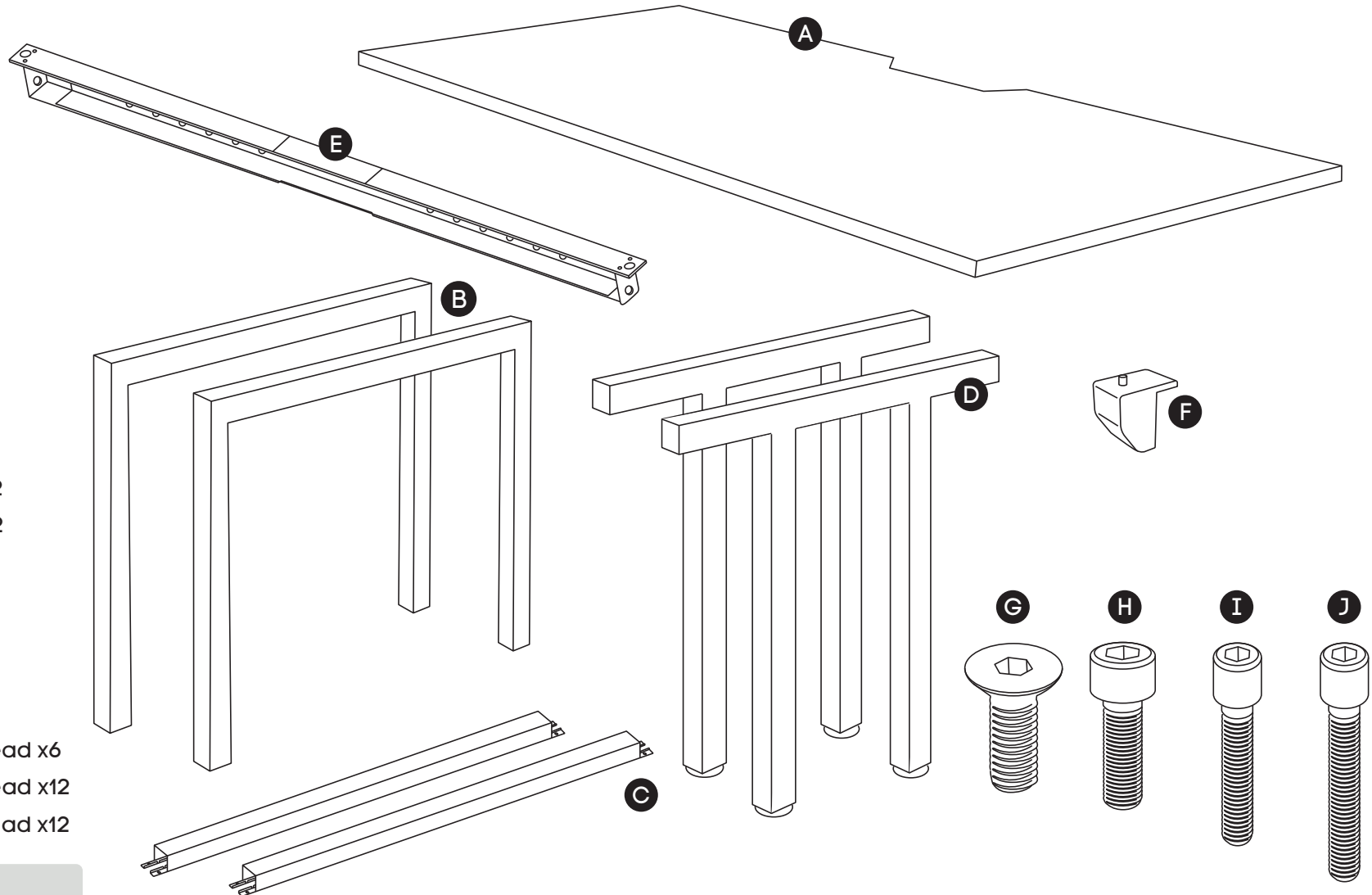
Sizes: 1200, 1400, 1600, 1800 mm

[www.jasonl.com.au](http://www.jasonl.com.au)

**Need help!**

Call us on  
**1300 527 665**

**jason.l**  
your office furniture mate



#### COMPONENTS

- A Table top x3
- B Leg Quadro x2
- C Leg Quadro Loop x2
- D Connector frame x2
- E Beam x3 \*
- F Plastic bracket x12

#### SCREWS

- G M8x20MM CSK x6
- H M8x20MM Socket head x6
- I M6x20MM Socket head x12
- J M6x30MM Socket head x12

- K Allen key x2

\* Colour of the beam is always black, regardless desk frame colour.

# ASSEMBLY INSTRUCTIONS

## Quadro Loop 3P Run workstation

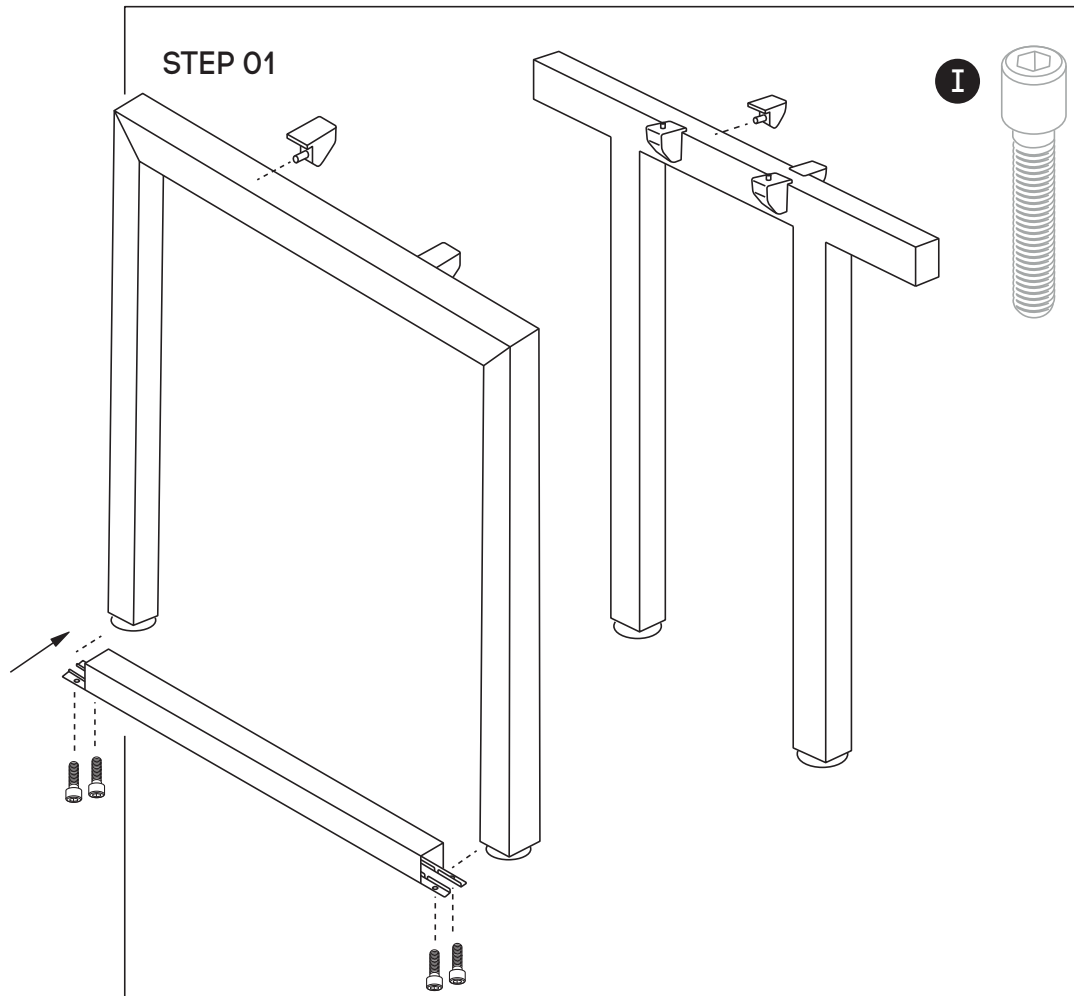
Sizes: 1200, 1400, 1600, 1800 mm

[www.jasonl.com.au](http://www.jasonl.com.au)

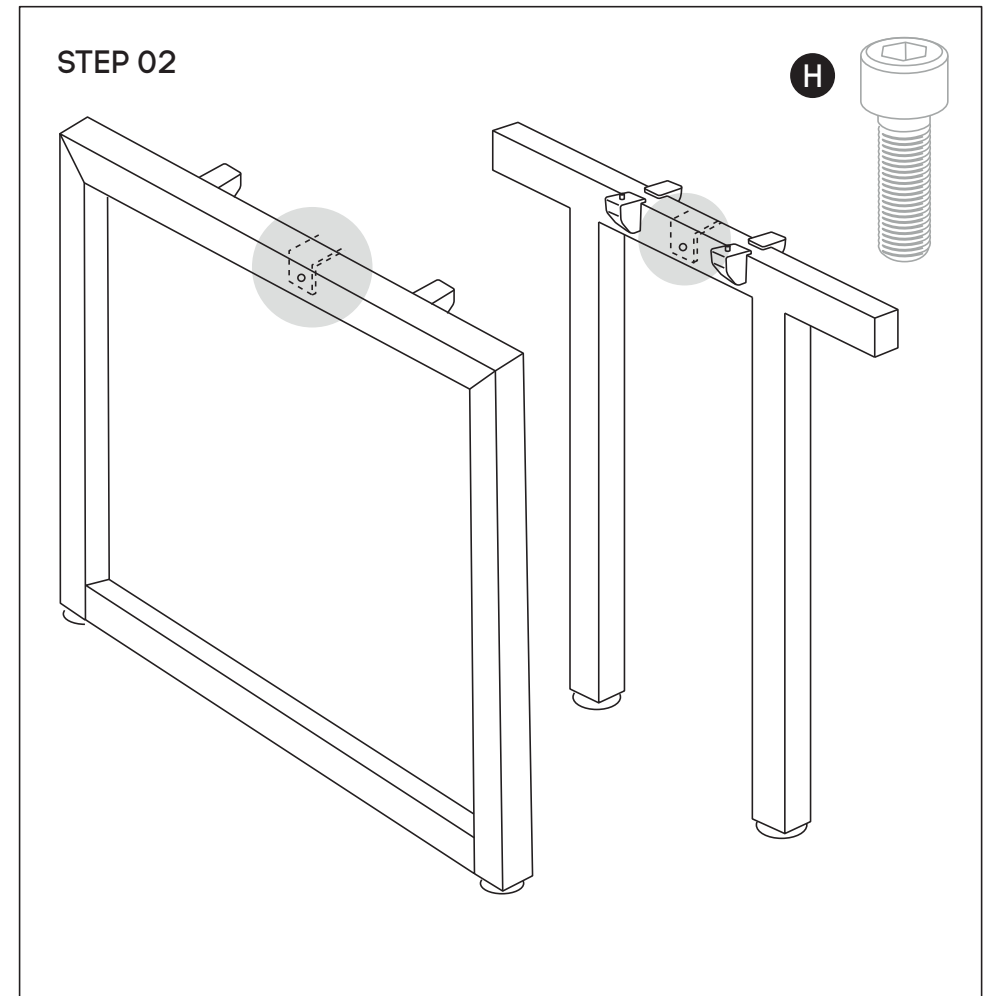
**Need help!**

Call us on  
**1300 527 665**

**jason.l**  
your office furniture mate



Using Allen Key provided, attach 2 plastic brackets per leg **(F)** (as per picture above) using M6x20MM **(I)** Socket head screw. Do the same with Connector frame **(D)**. Connect Loop Legs **(C)** to Bottom of Quadro Legs **(B)** by using 4 bolts per leg



Using Allen Key provided, attach M8x20MM Socket head **(H)**-screw socket half way into leg for both legs **(B)** and into Connector frame **(D)**.

# ASSEMBLY INSTRUCTIONS

## Quadro Loop

### 3P Run workstation

Sizes: 1200, 1400, 1600, 1800 mm

[www.jasonl.com.au](http://www.jasonl.com.au)

**Need help!**

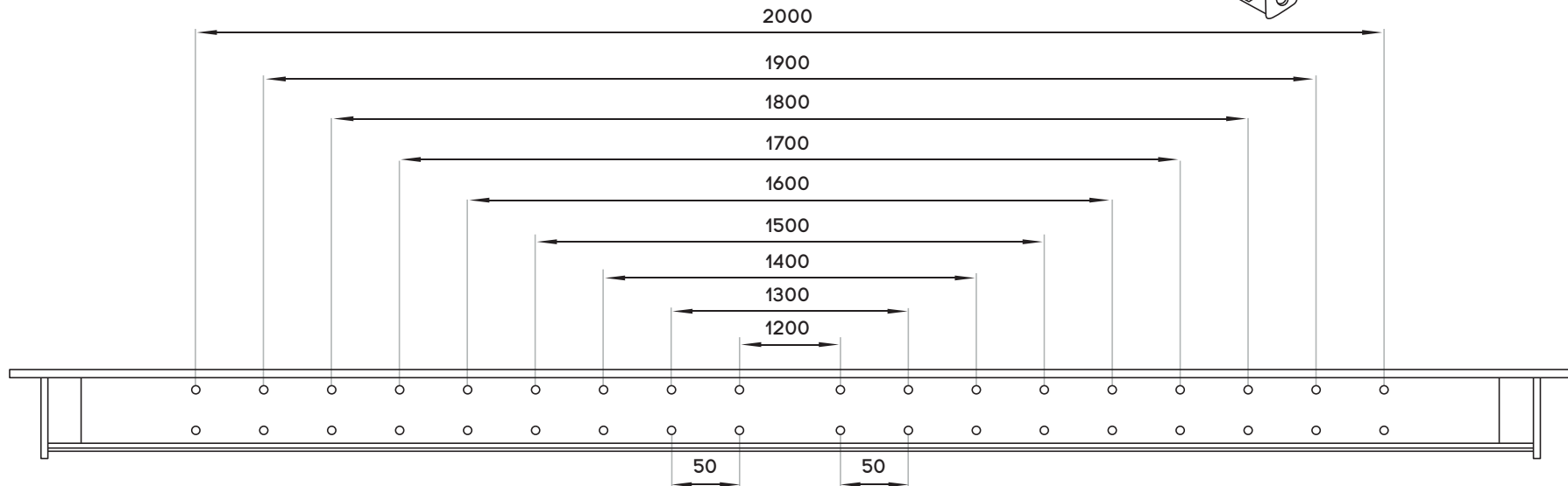
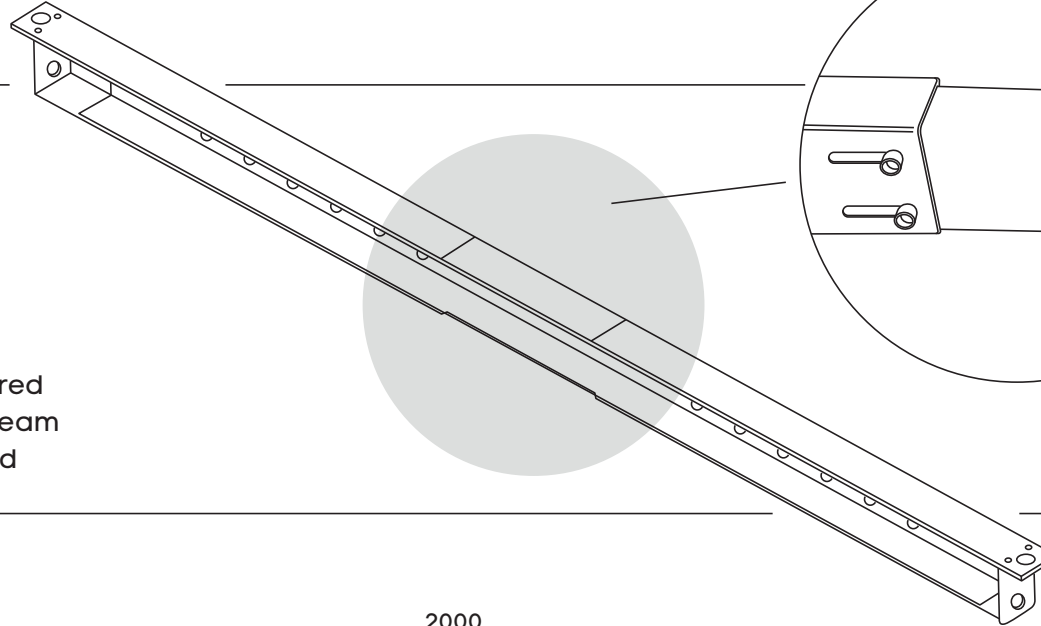
Call us on  
**1300 527 665**

**jason.l**  
your office furniture mate



#### STEP 03

Adjust extendable beam **(E)** to desired length using markers and secure beam at that length using screws provided



# ASSEMBLY INSTRUCTIONS

## Quadro Loop

### 3P Run workstation

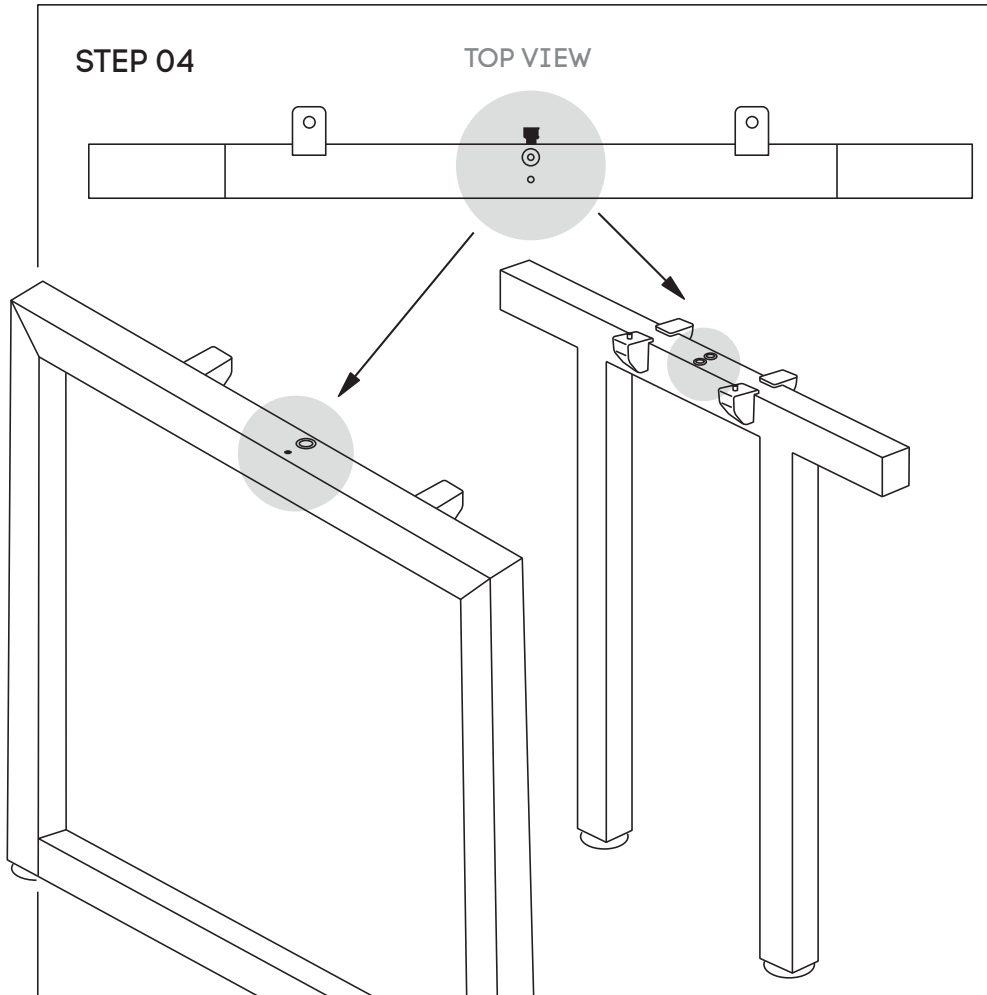
Sizes: 1200, 1400, 1600, 1800 mm

[www.jasonl.com.au](http://www.jasonl.com.au)

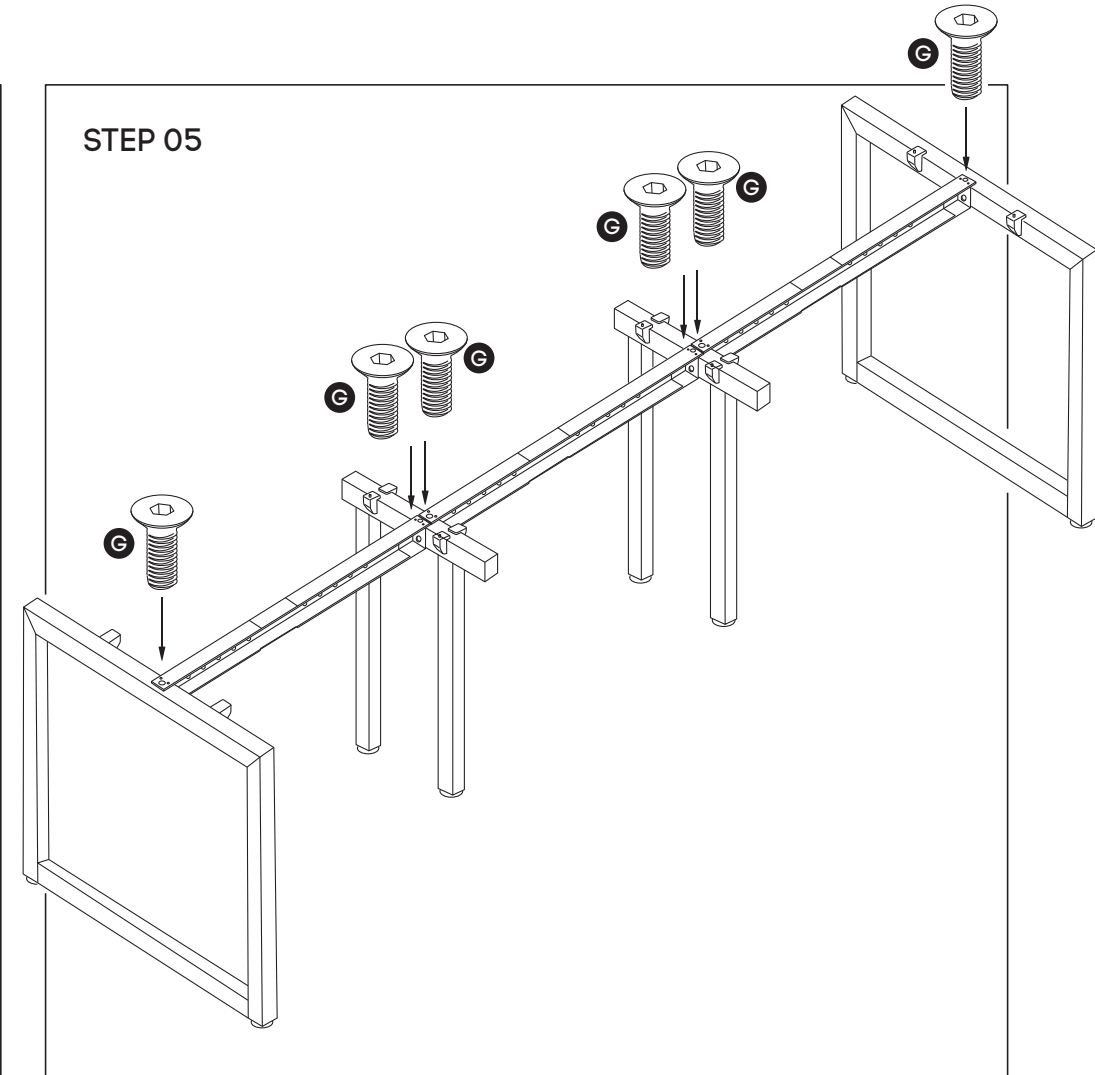
**Need help!**

Call us on  
**1300 527 665**

**jason.l**  
your office furniture mate



Attach beam **(E)** to legs **(B)** and Connector frame **(D)** using nut insert in legs. See point attached



Frame looks like this. Using Allen Key, attach beam **(E)** with Socket **(G)**

# ASSEMBLY INSTRUCTIONS

## Quadro Loop

### 3P Run workstation

Sizes: 1200, 1400, 1600, 1800 mm

[www.jasonl.com.au](http://www.jasonl.com.au)

**Need help!**

Call us on  
**1300 527 665**

**jason.l**  
your office furniture mate

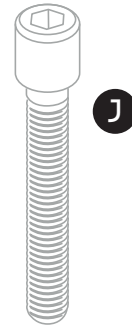
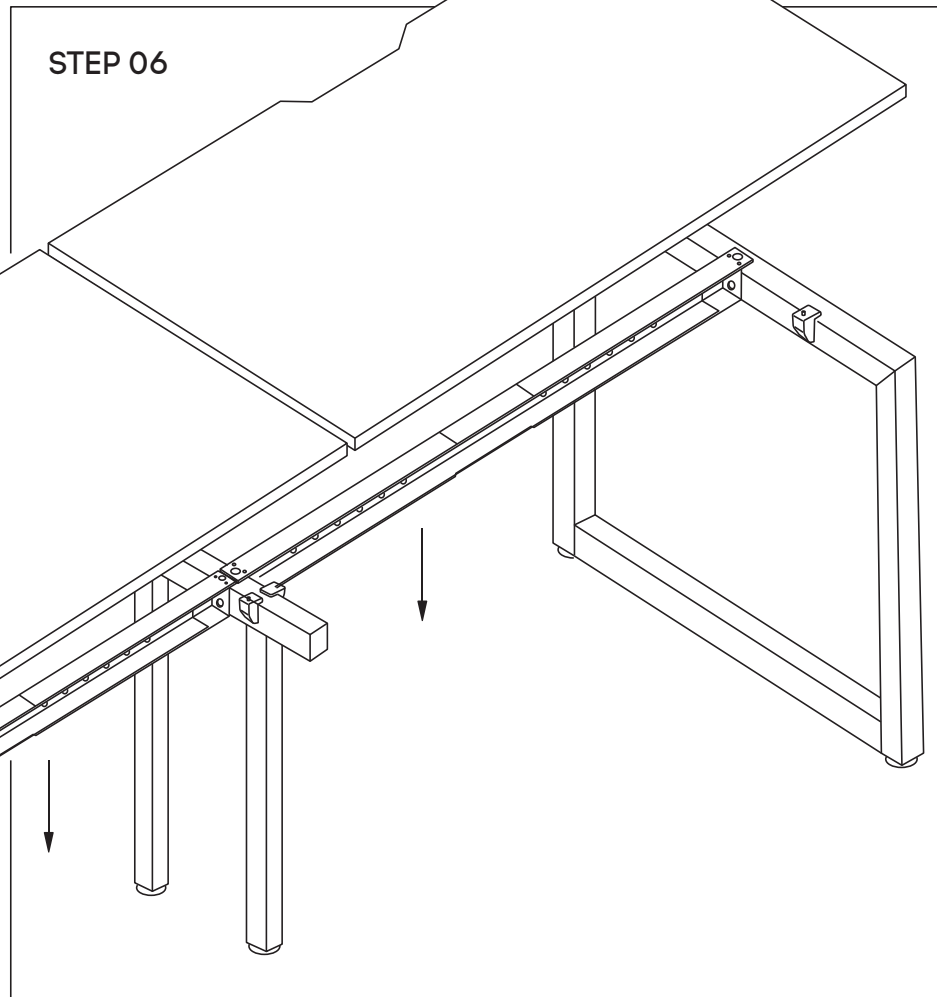
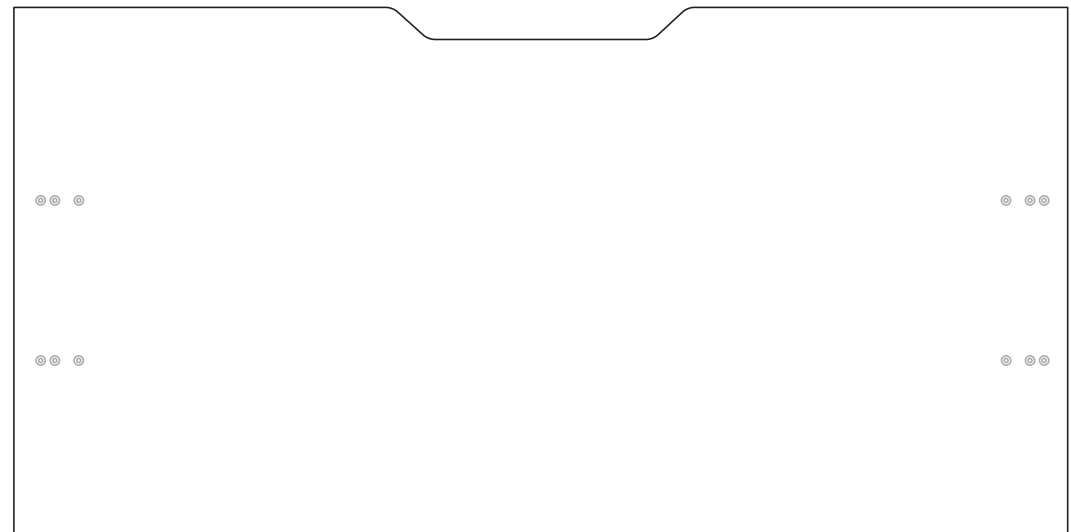


TABLE TOP  
BOTTOM VIEW



Place desktops ontop of frame - with cutout at the back of the desk.  
Nut inserts in top will align with plastic joiner brackets using M6x30MM  
(J) sockets attached tops to frame.

**ASSEMBLY INSTRUCTIONS**  
**Quadro Loop**  
**3P Run workstation**

Sizes: 1200, 1400, 1600, 1800 mm

[www.jasonl.com.au](http://www.jasonl.com.au)

**Need help!**  
Call us on  
**1300 527 665**

**jason.l**  
your office furniture mate



TABLE TOPS  
BOTTOM VIEW

The following nut inserts should be used for this specific desk / workstation

