

ASSEMBLY INSTRUCTIONS
Quadro A leg
Counter table
Radius Corners

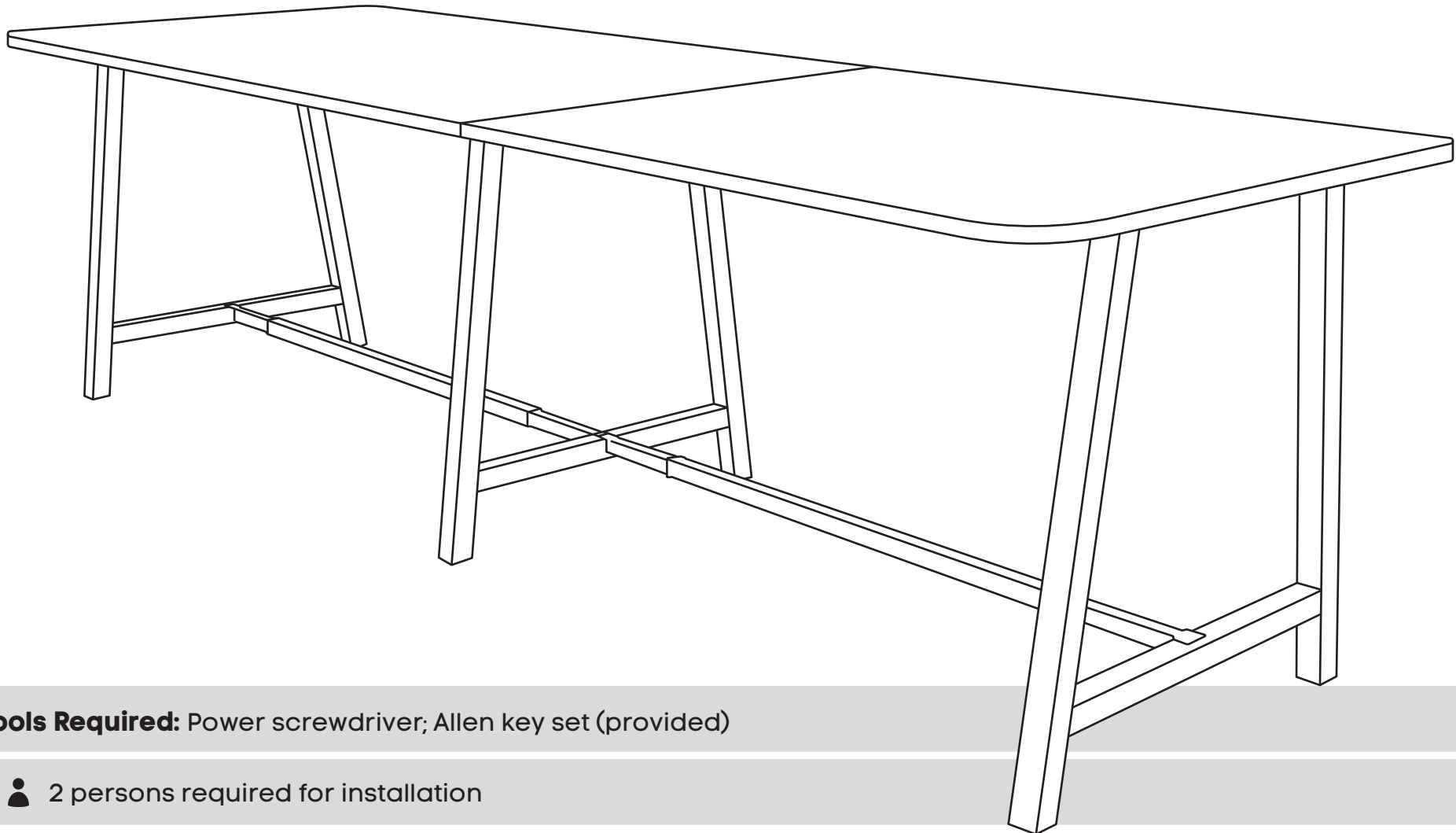
www.jasonl.com.au

Need help!
Call us on
1300 527 665


jason.l
your office furniture mate



Sizes: 3200x1100 mm



Tools Required: Power screwdriver; Allen key set (provided)

 2 persons required for installation

ASSEMBLY INSTRUCTIONS

Quadro A leg Counter table Radius Corners

www.jasonl.com.au

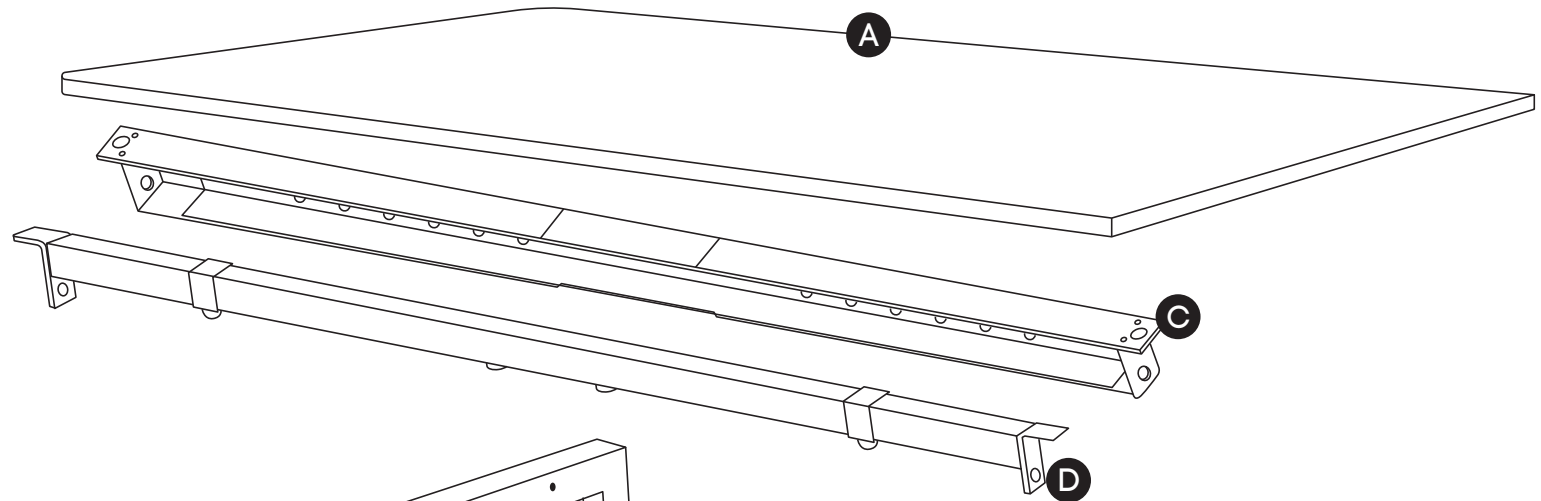
Need help!

Call us on
1300 527 665

jason.l
your office furniture mate



Sizes: 3200x1100 mm



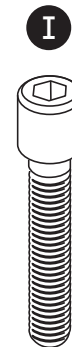
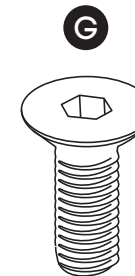
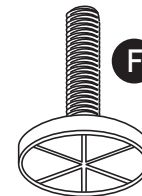
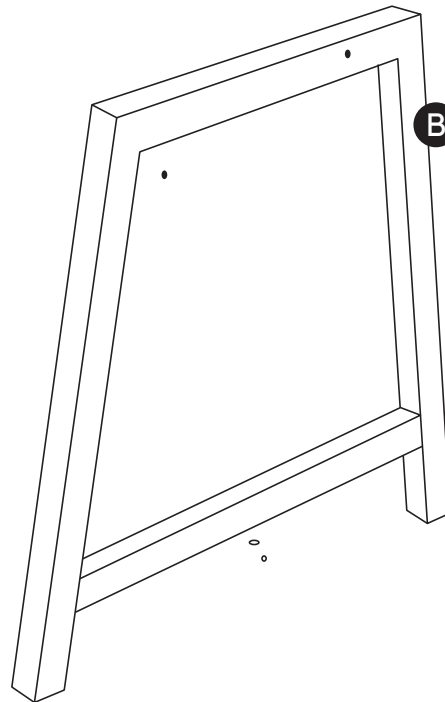
COMPONENTS

- A Table top x2
- B Leg Quadro A x3
- C Upper Beam x2 *
- D Lower Beam x2
- E Plastic bracket x8
- F Feet x6

SCREWS

- G M8x20MM CSK x12
- H M8x20MM Socket head x8
- I M6x20MM Socket head x6
- J M6x30MM Socket head x8

- K Allen key x2



* Colour of the beam is always black, regardless desk frame colour.

ASSEMBLY INSTRUCTIONS

Quadro A leg Counter table Radius Corners

www.jasonl.com.au

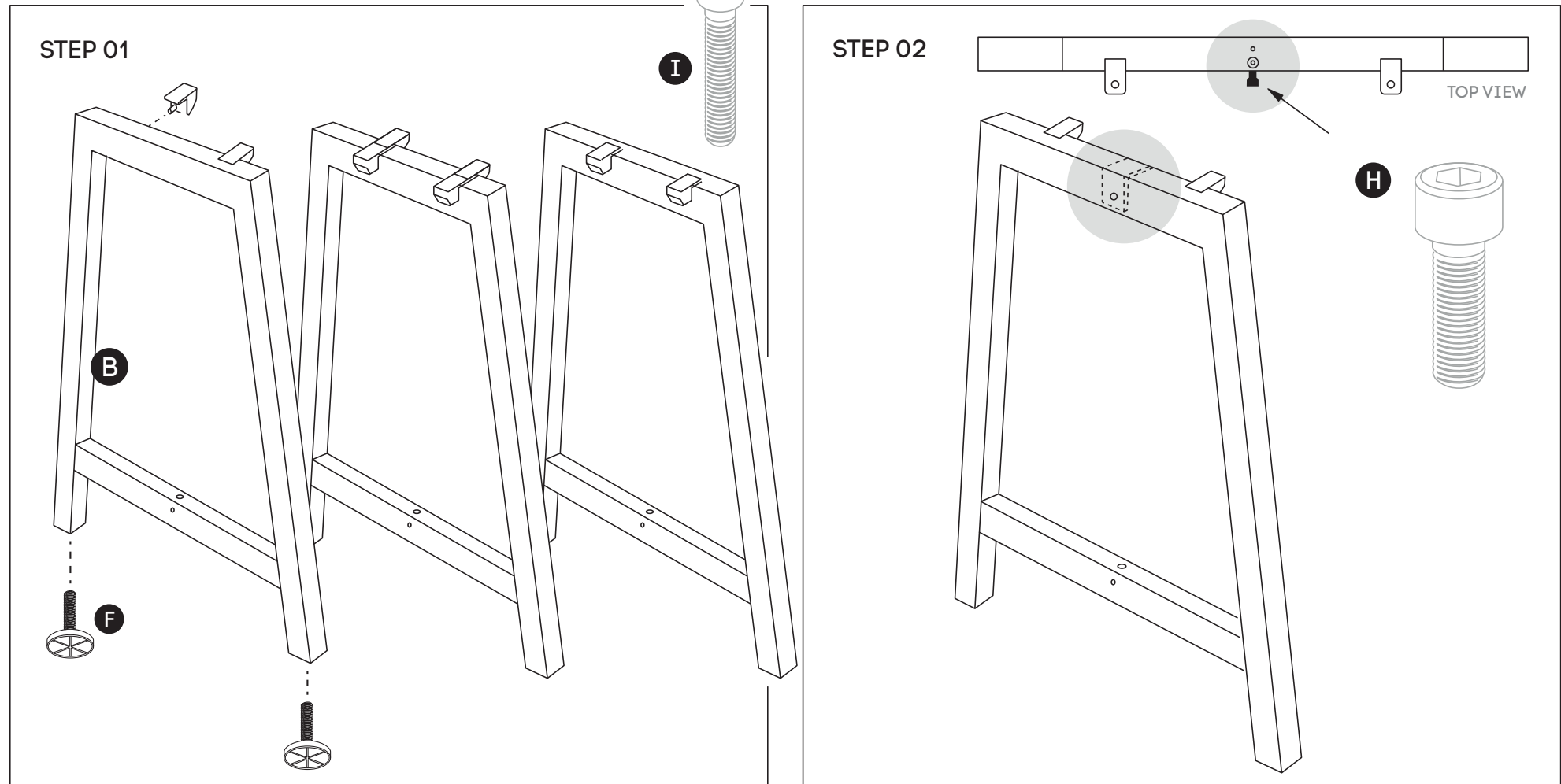
Need help!

Call us on
1300 527 665

jason.l
your office furniture mate



Sizes: 3200x1100 mm



Using Allen Key provided, attach 2 plastic brackets per exterior leg (D), and 4 plastic brackets for the shared leg (as per picture above) using M6x20MM (I) Socket head screw. Screw the feet (F) to the bottom of each leg (B)

Using Allen Key provided, attach M8x20MM Socket head (H)-screw socket half way into leg for all legs (B)

ASSEMBLY INSTRUCTIONS

Quadro A leg Counter table Radius Corners

www.jasonl.com.au

Need help!
Call us on
1300 527 665

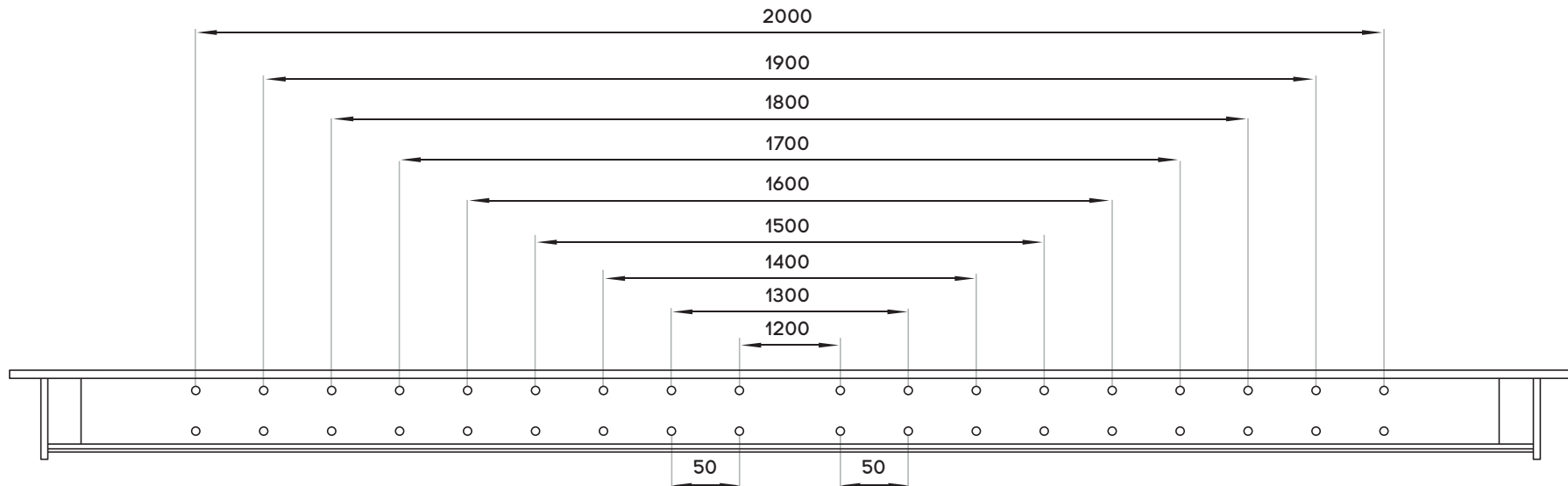
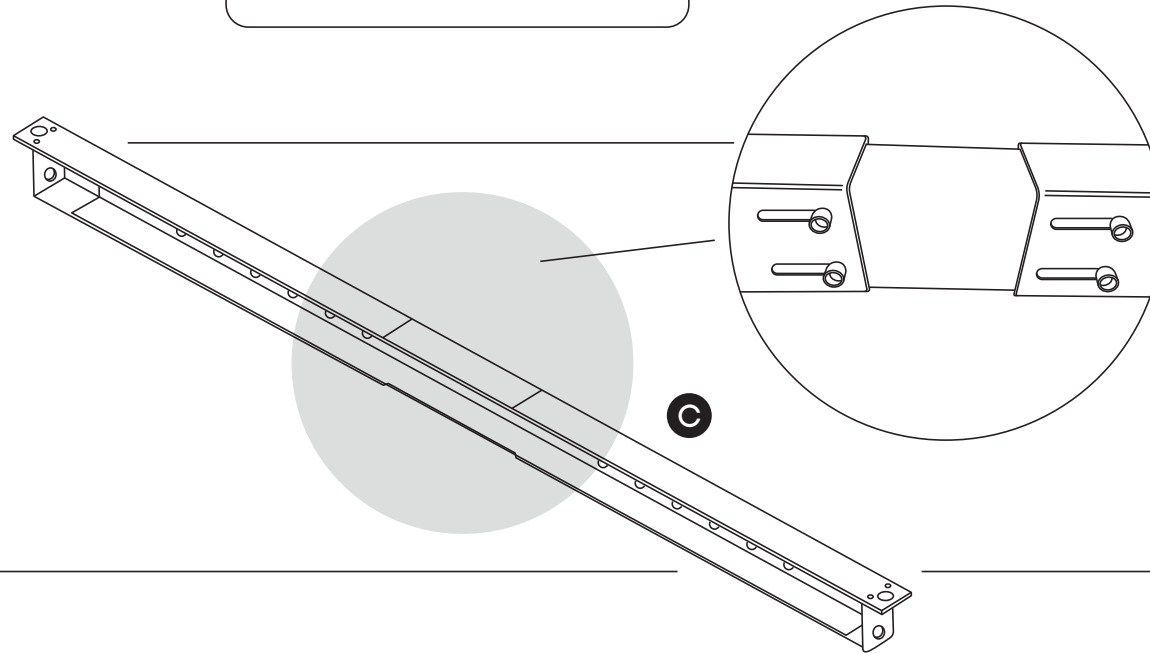
jason.l
your office furniture mate



Sizes: 3200x1100 mm

STEP 03

Adjust extendable beam **(C)** to desired length using markers and secure beam at that length using screws provided



ASSEMBLY INSTRUCTIONS

Quadro A leg Counter table Radius Corners

www.jasonl.com.au

Need help!
Call us on
1300 527 665

jason.l
your office furniture mate

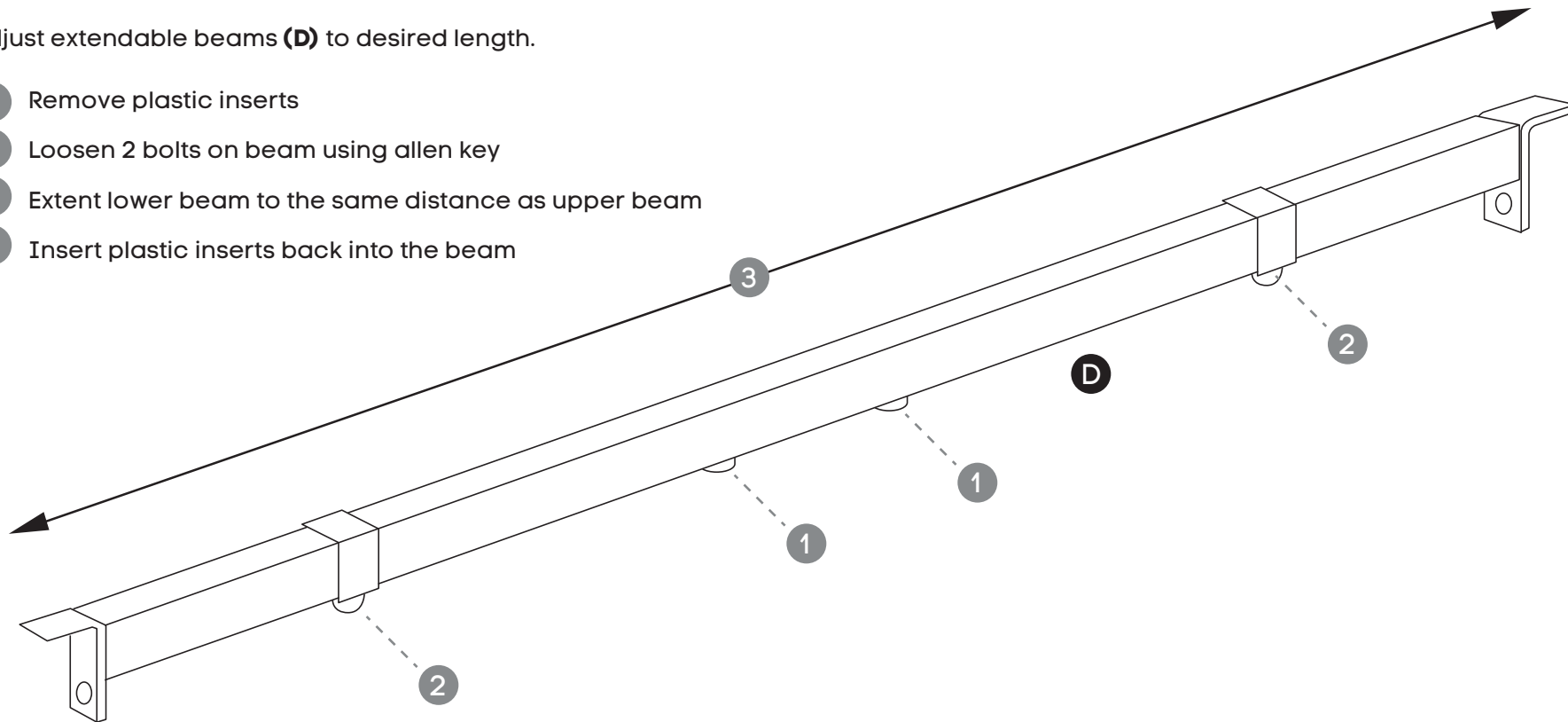


Sizes: 3200x1100 mm

STEP 04

Adjust extendable beams (**D**) to desired length.

- 1 Remove plastic inserts
- 2 Loosen 2 bolts on beam using allen key
- 3 Extent lower beam to the same distance as upper beam
- 4 Insert plastic inserts back into the beam



ASSEMBLY INSTRUCTIONS

Quadro A leg Counter table Radius Corners

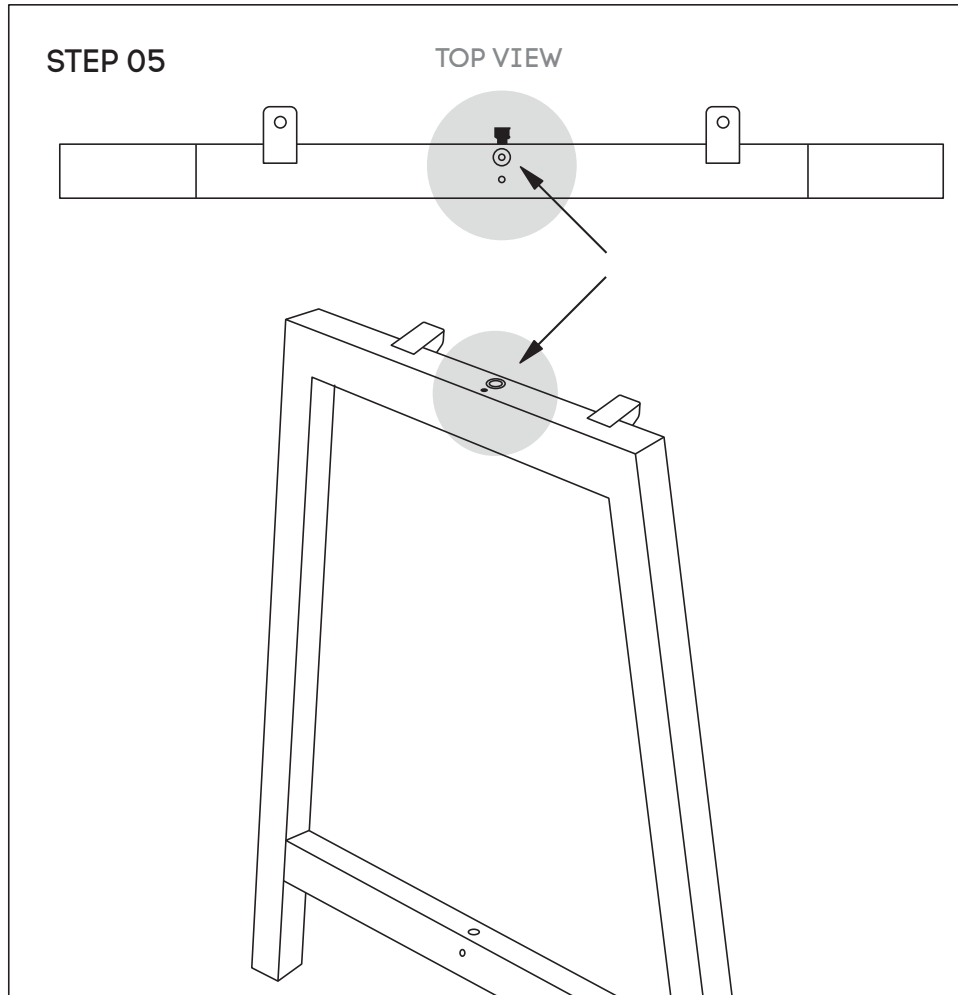
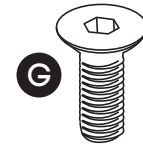
www.jasonl.com.au

Need help!
Call us on
1300 527 665

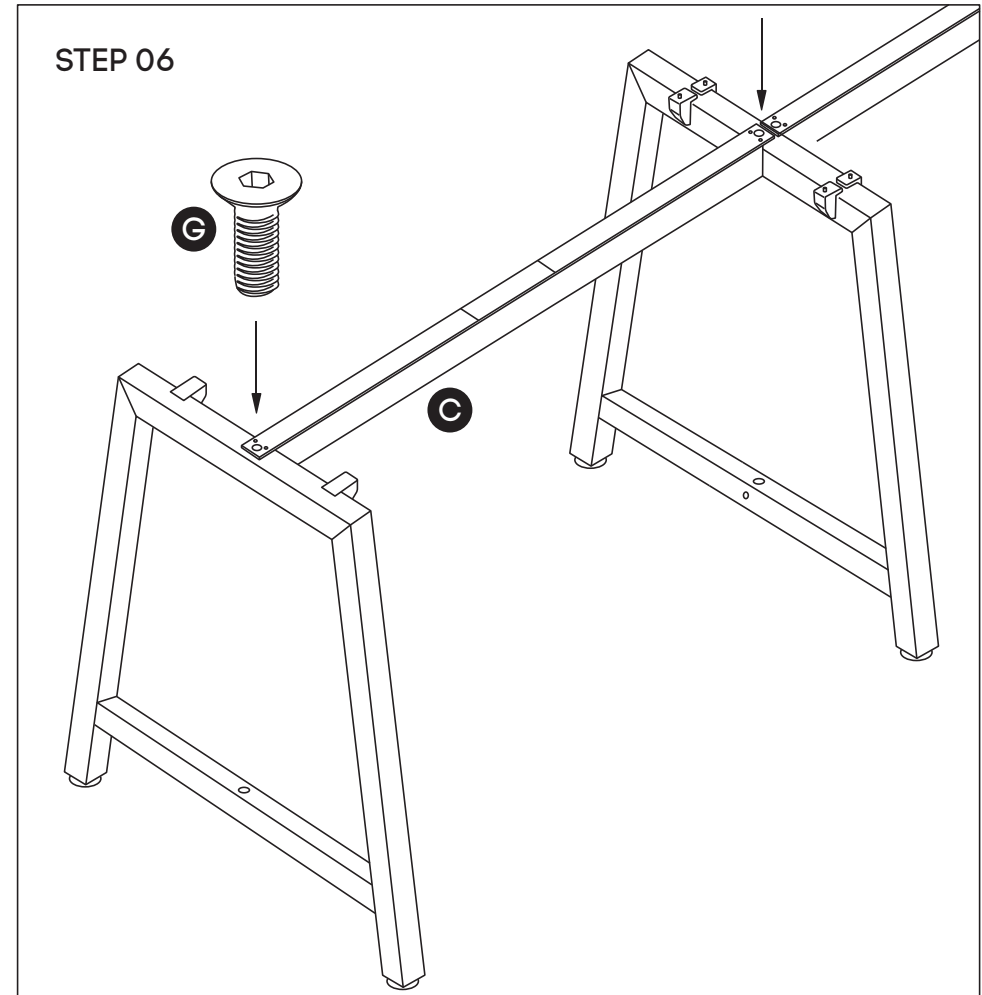
jason.l
your office furniture mate



Sizes: 3200x1100 mm



Attach Upper Beams **(C)** to legs **(B)** using nut insert in legs.
See point attached



Frame looks like this. Using Allen Key, attach Upper Beam **(C)** with Sockets **(G)**.

ASSEMBLY INSTRUCTIONS

Quadro A leg Counter table Radius Corners

www.jasonl.com.au

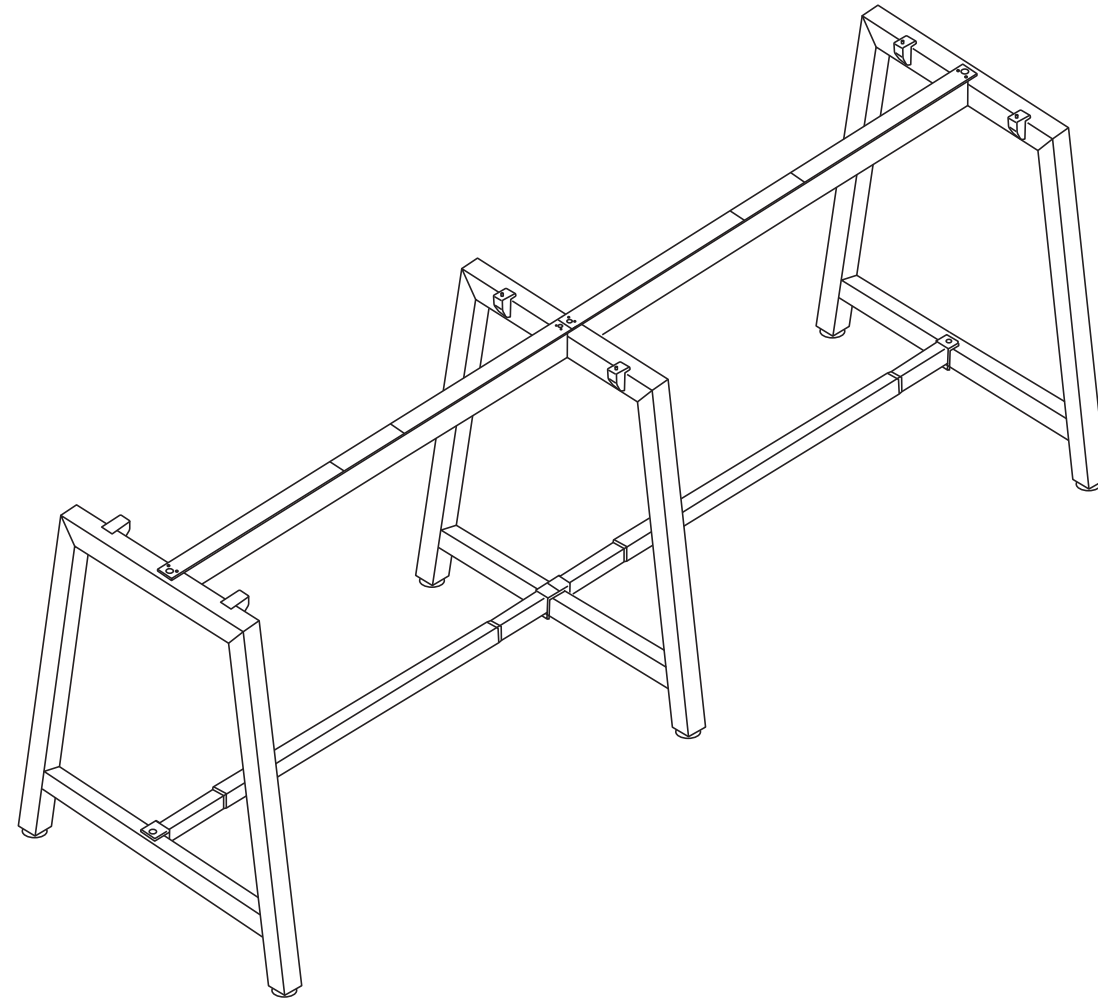
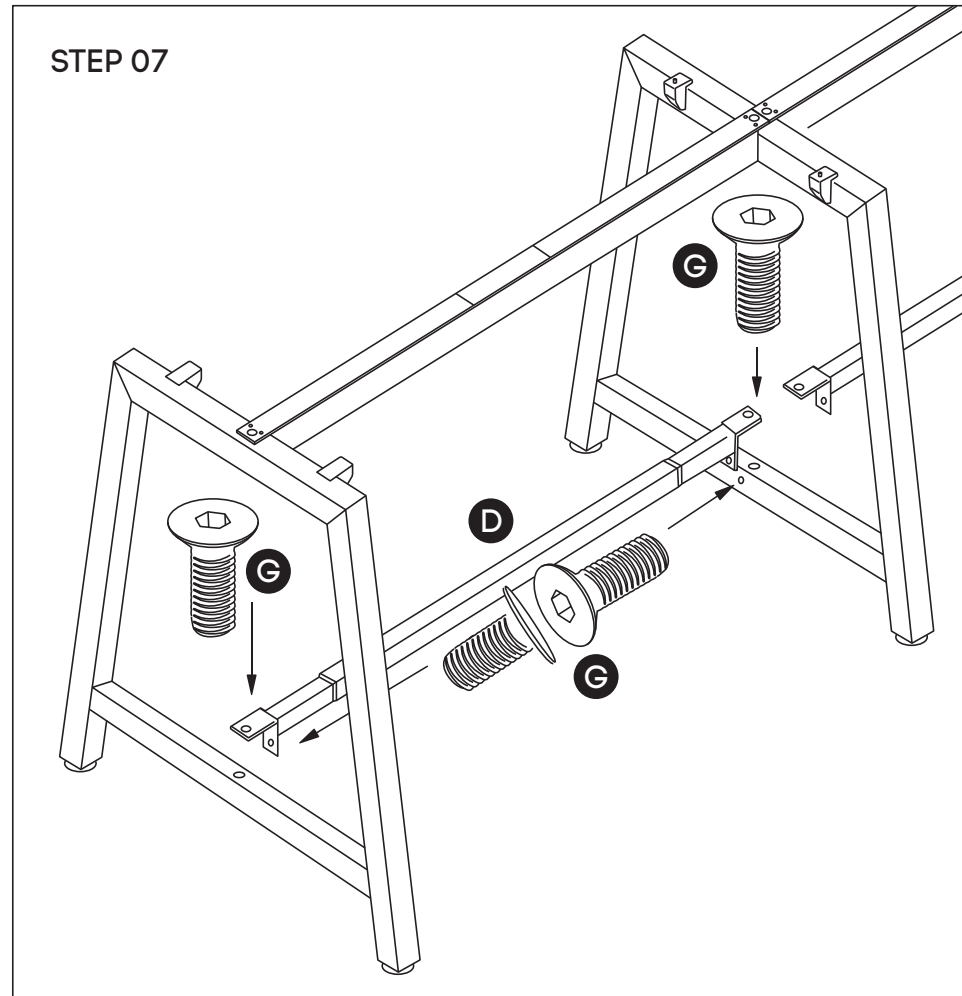
Need help!

Call us on
1300 527 665

jason.l
your office furniture mate



Sizes: 3200x1100 mm



Frame looks like this. Using Allen Key. Tighen Sockets **(G)** on the Lower Beams **(D)** using Allen Key **(J)**. Insert plastic spacers to improve rigidity. Attach two Sockets **(G)** to the side of each lower side beam (as shown in the picture).

ASSEMBLY INSTRUCTIONS

Quadro A leg Counter table Radius Corners

www.jasonl.com.au

Need help!
Call us on
1300 527 665

jason.l
your office furniture mate



Sizes: 3200x1100 mm

STEP 08

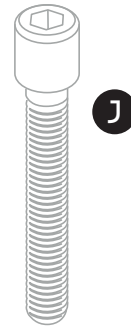
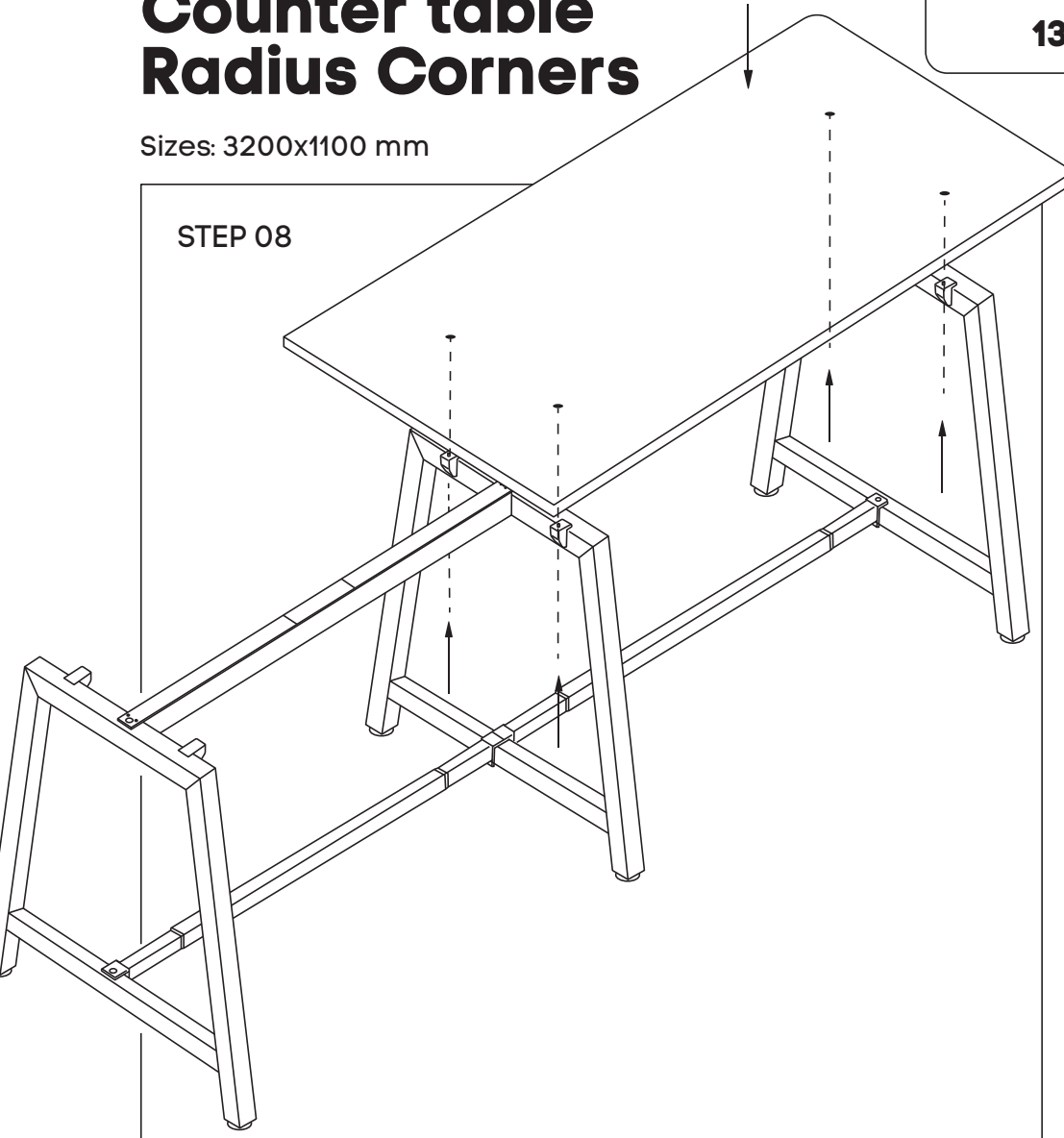
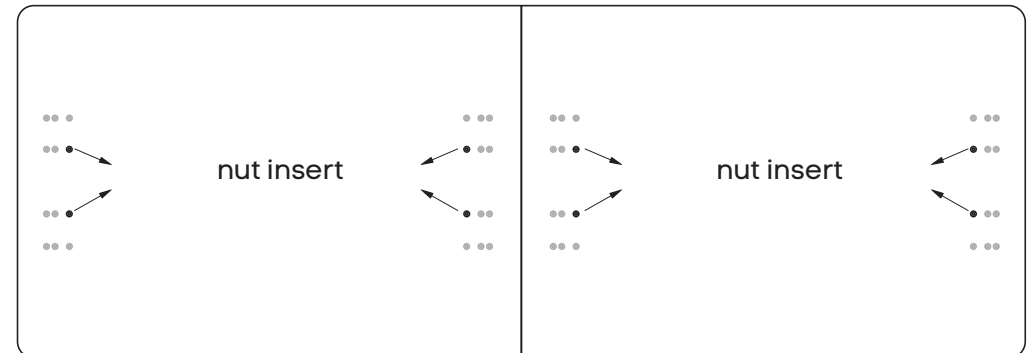


TABLE TOP
BOTTOM VIEW



Place desktop on top of frame. Please tighten screws using M6x30MM (J) into the underneath of the tops.