

ASSEMBLY INSTRUCTIONS
Quadro A leg
Counter table
Radius Corners

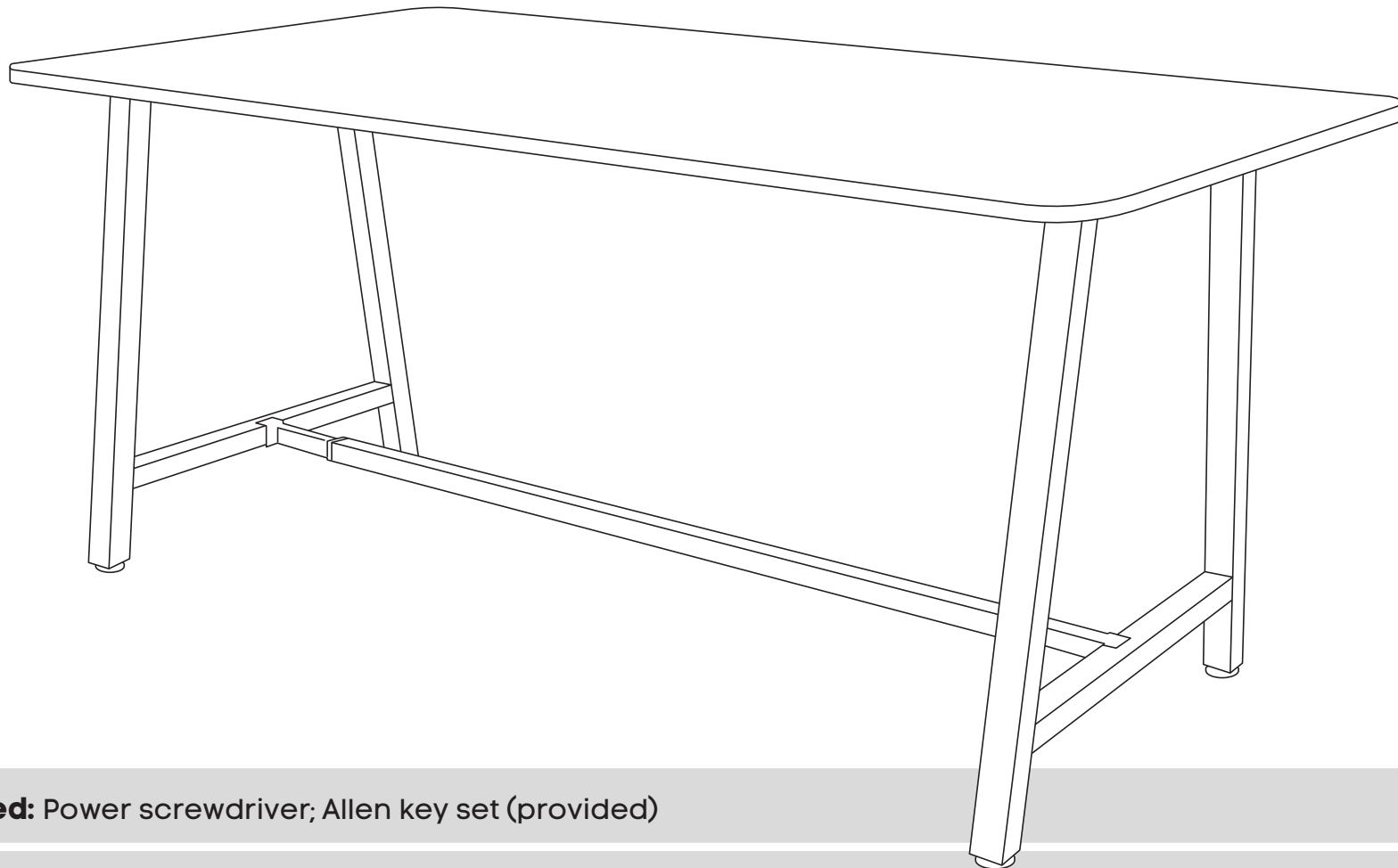
www.jasonl.com.au

Need help!
Call us on
1300 527 665


jason.l
your office furniture mate



Sizes: 1800x1100 mm



Tools Required: Power screwdriver; Allen key set (provided)

 2 persons required for installation

ASSEMBLY INSTRUCTIONS

Quadro A leg Counter table Radius Corners

www.jasonl.com.au

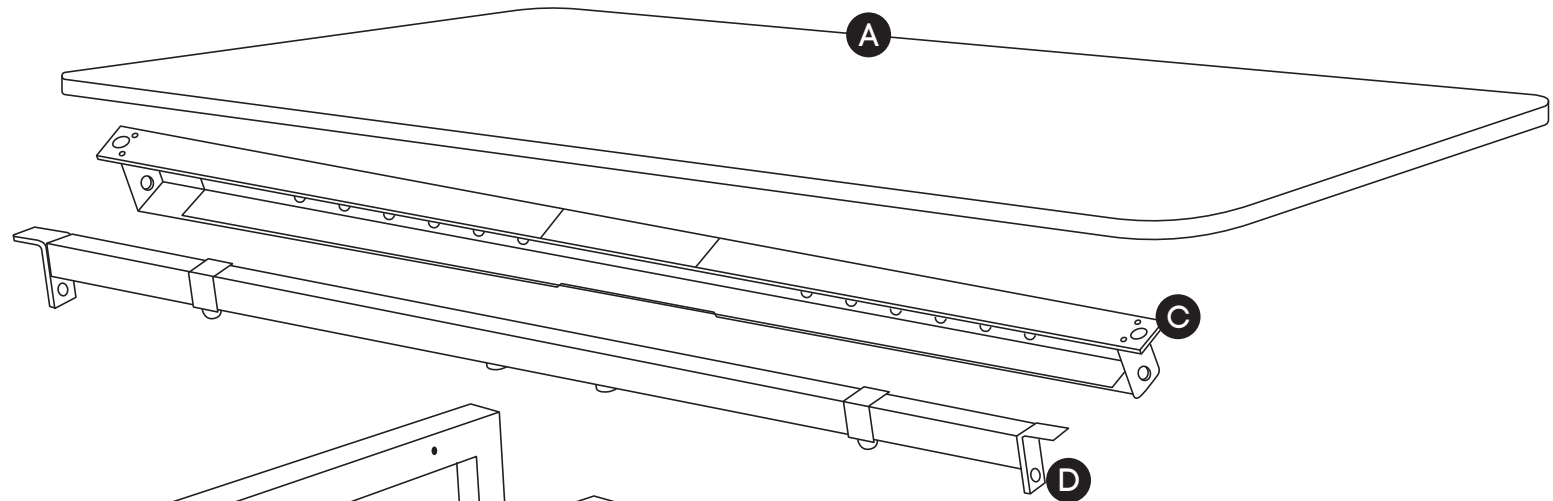
Need help!

Call us on
1300 527 665

jason.l
your office furniture mate



Sizes: 1800x1100 mm



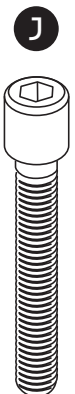
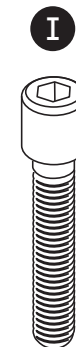
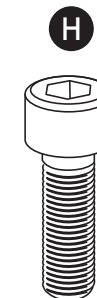
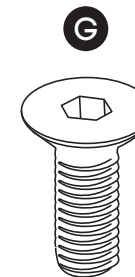
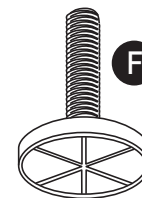
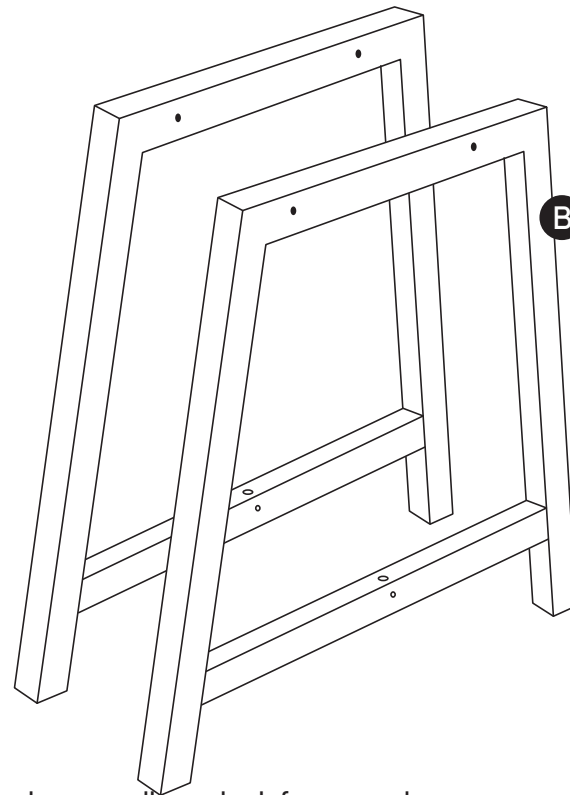
COMPONENTS

- A Table top x1
- B Leg Quadro A x2
- C Upper Beam x1 *
- D Lower Beam x1
- E Plastic bracket x4
- F Feet x4

SCREWS

- G M8x20MM CSK x4
- H M8x20MM Socket head x4
- I M6x20MM Socket head x4
- J M6x30MM Socket head x4

- K Allen key x2



* Colour of the beam is always black, regardless desk frame colour.

ASSEMBLY INSTRUCTIONS

Quadro A leg Counter table Radius Corners

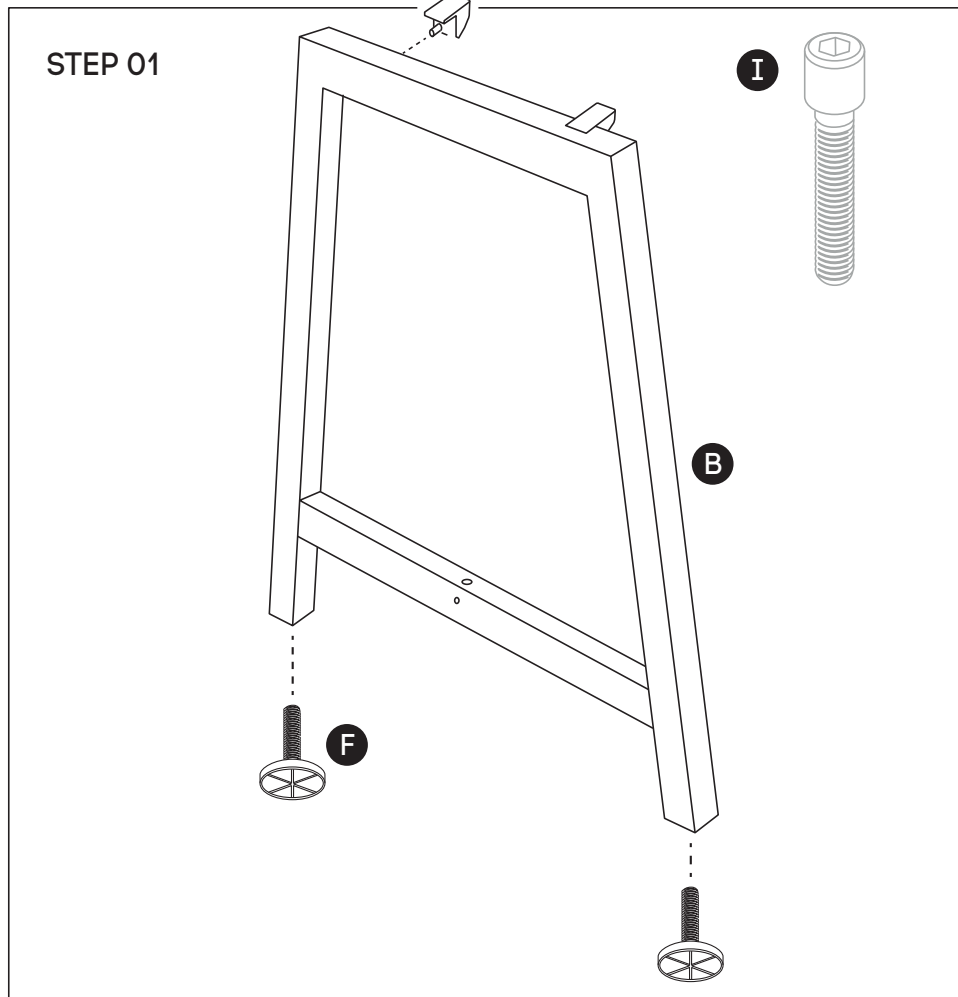
www.jasonl.com.au

Need help!
Call us on
1300 527 665

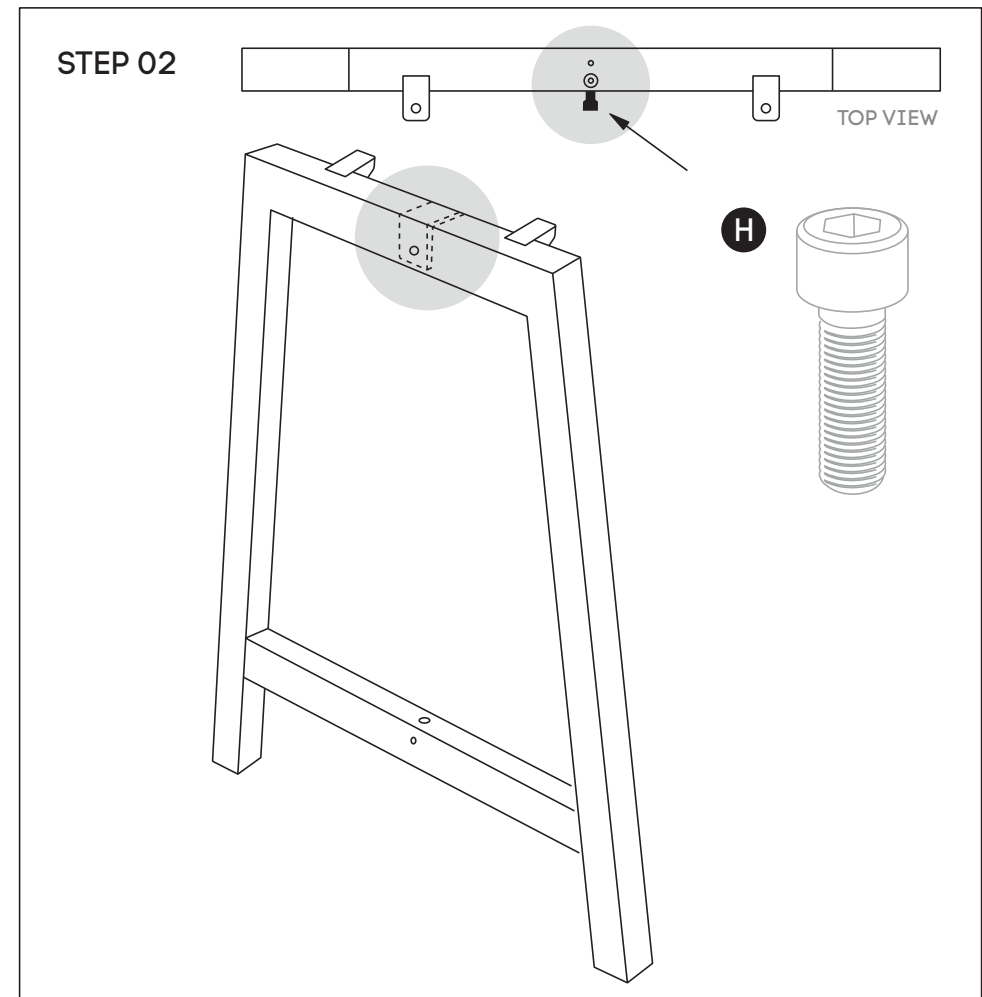
jason.l
your office furniture mate



Sizes: 1800x1100 mm



Using Allen Key provided, attach 2 plastic brackets per leg **(D)** (as per picture above) using M6x20MM **(I)** Socket head screw. Screw the feet **(F)** to the bottom of each leg **(B)**



Using Allen Key provided, attach M8x20MM Socket head **(H)**-screw socket half way into leg for both legs **(B)**

ASSEMBLY INSTRUCTIONS

Quadro A leg Counter table Radius Corners

www.jasonl.com.au

Need help!
Call us on
1300 527 665

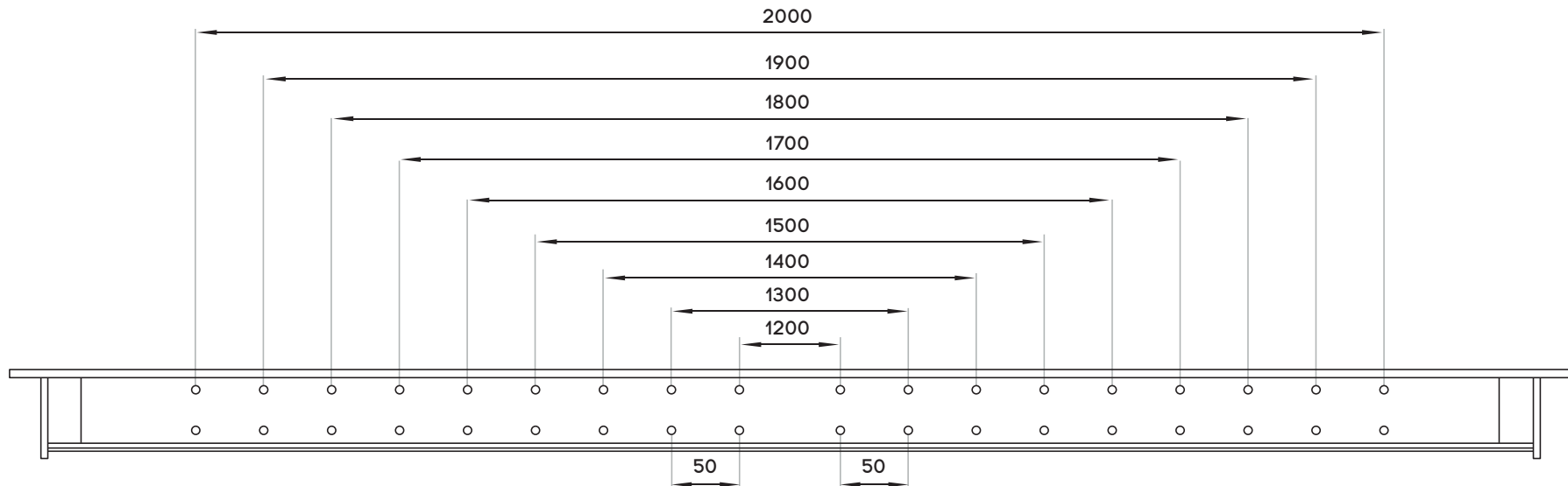
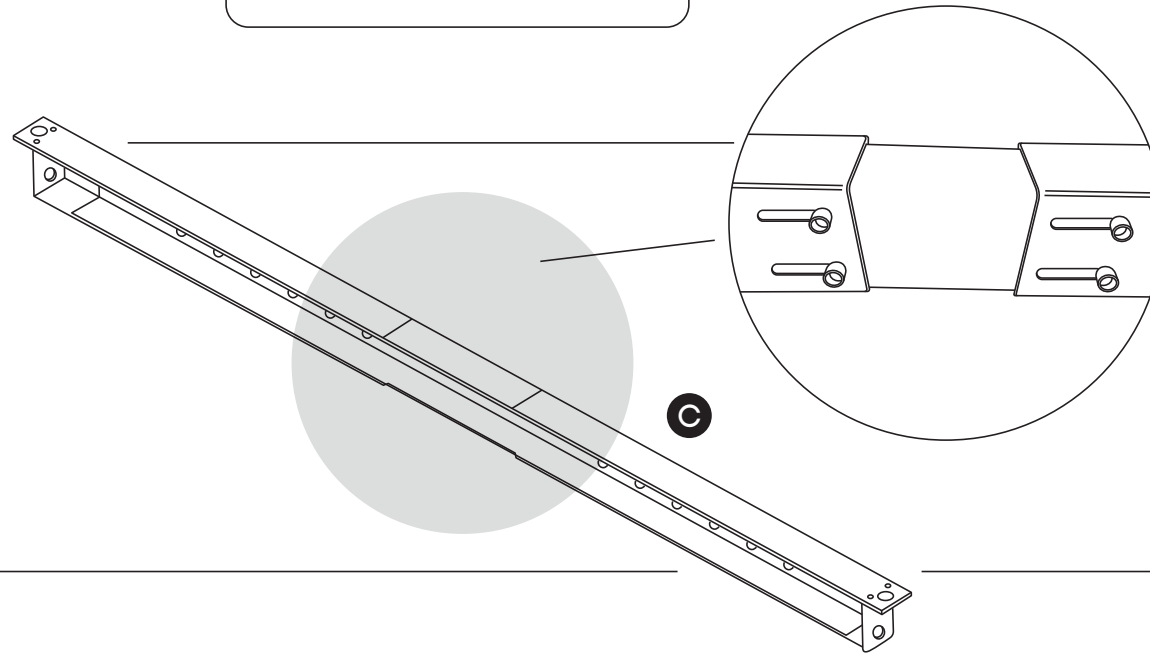
jason.l
your office furniture mate



Sizes: 1800x1100 mm

STEP 03

Adjust extendable beam **(C)** to desired length using markers and secure beam at that length using screws provided



ASSEMBLY INSTRUCTIONS

Quadro A leg Counter table Radius Corners

www.jasonl.com.au

Need help!

Call us on
1300 527 665

jason.l
your office furniture mate

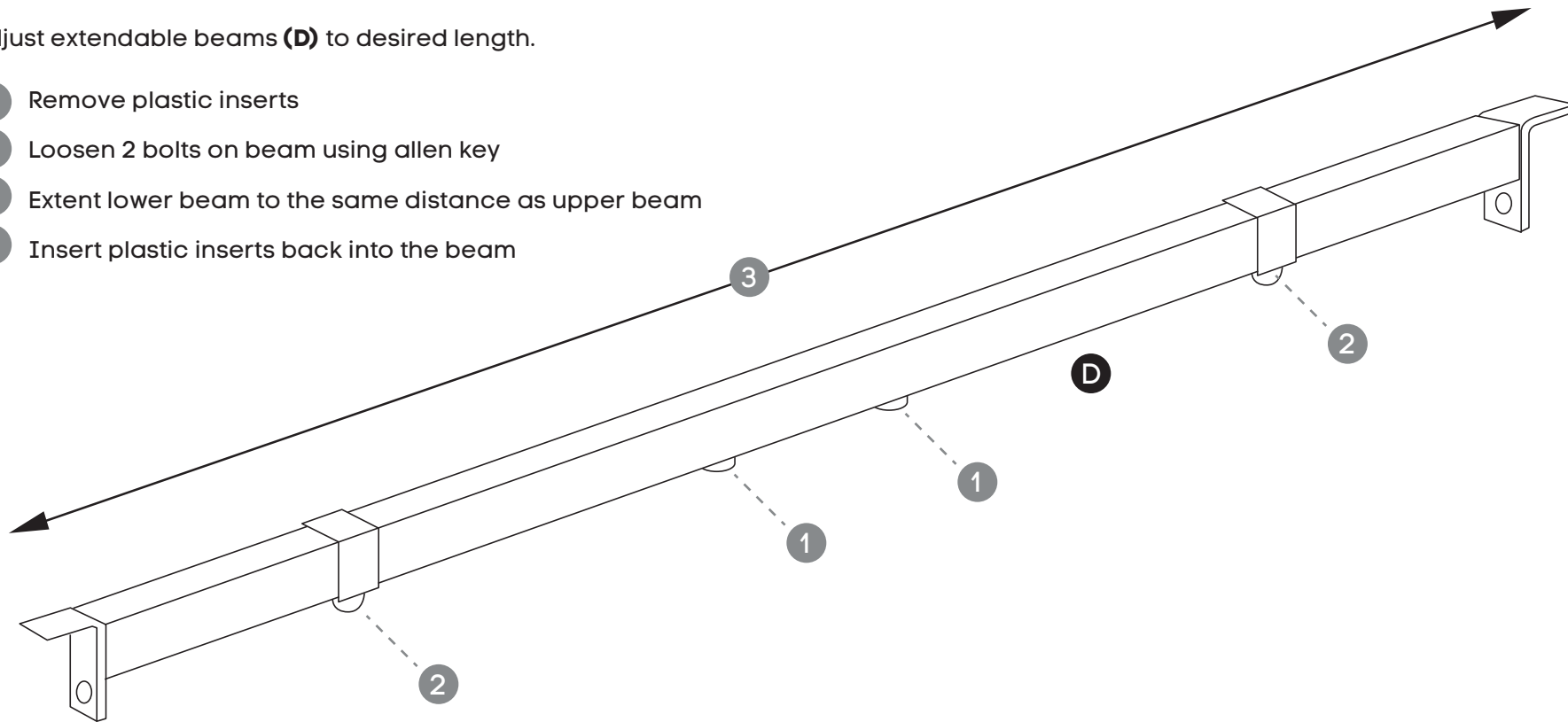


Sizes: 1800x1100 mm

STEP 04

Adjust extendable beams **(D)** to desired length.

- 1 Remove plastic inserts
- 2 Loosen 2 bolts on beam using allen key
- 3 Extent lower beam to the same distance as upper beam
- 4 Insert plastic inserts back into the beam



ASSEMBLY INSTRUCTIONS

Quadro A leg Counter table Radius Corners

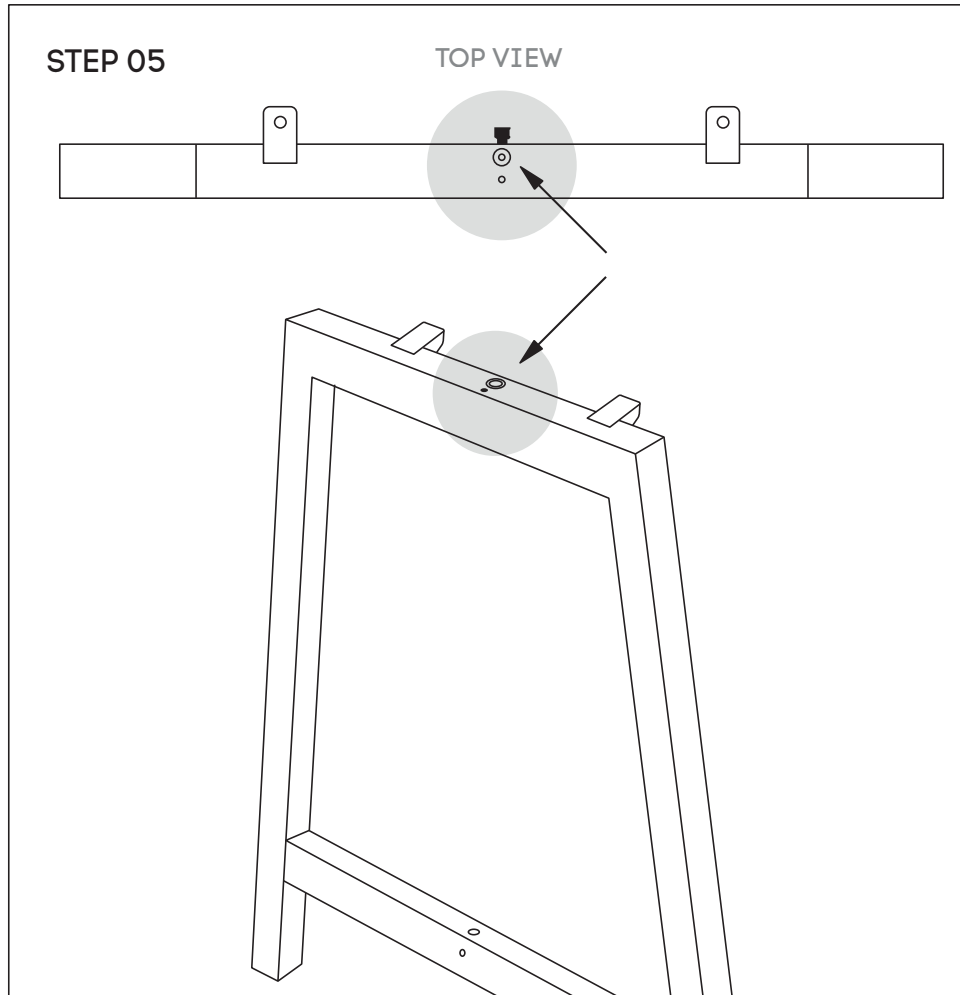
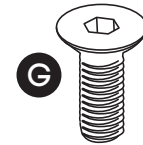
www.jasonl.com.au

Need help!
Call us on
1300 527 665

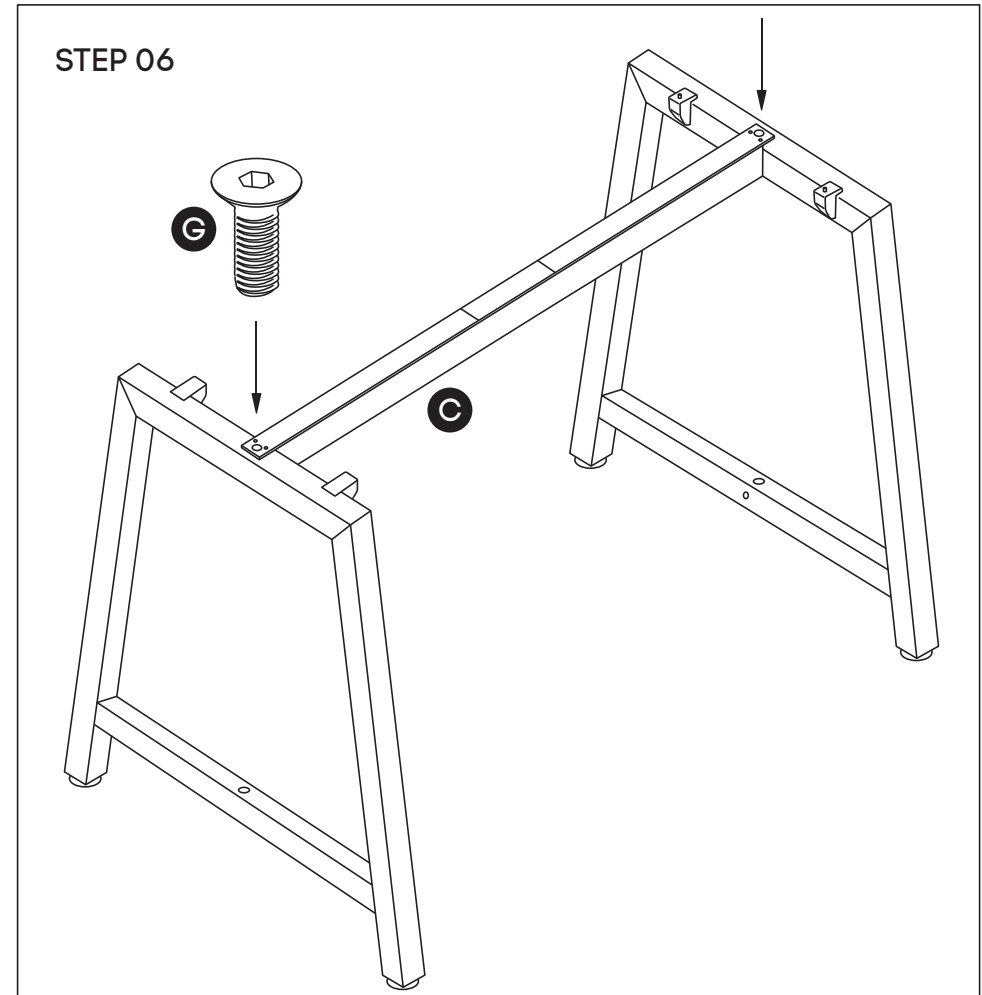
jason.l
your office furniture mate



Sizes: 1800x1100 mm



Attach Upper Beam (C) to legs (B) using nut insert in legs.
See point attached



Frame looks like this. Using Allen Key, attach Upper Beam (C) with Sockets (G).

ASSEMBLY INSTRUCTIONS

Quadro A leg Counter table Radius Corners

www.jasonl.com.au

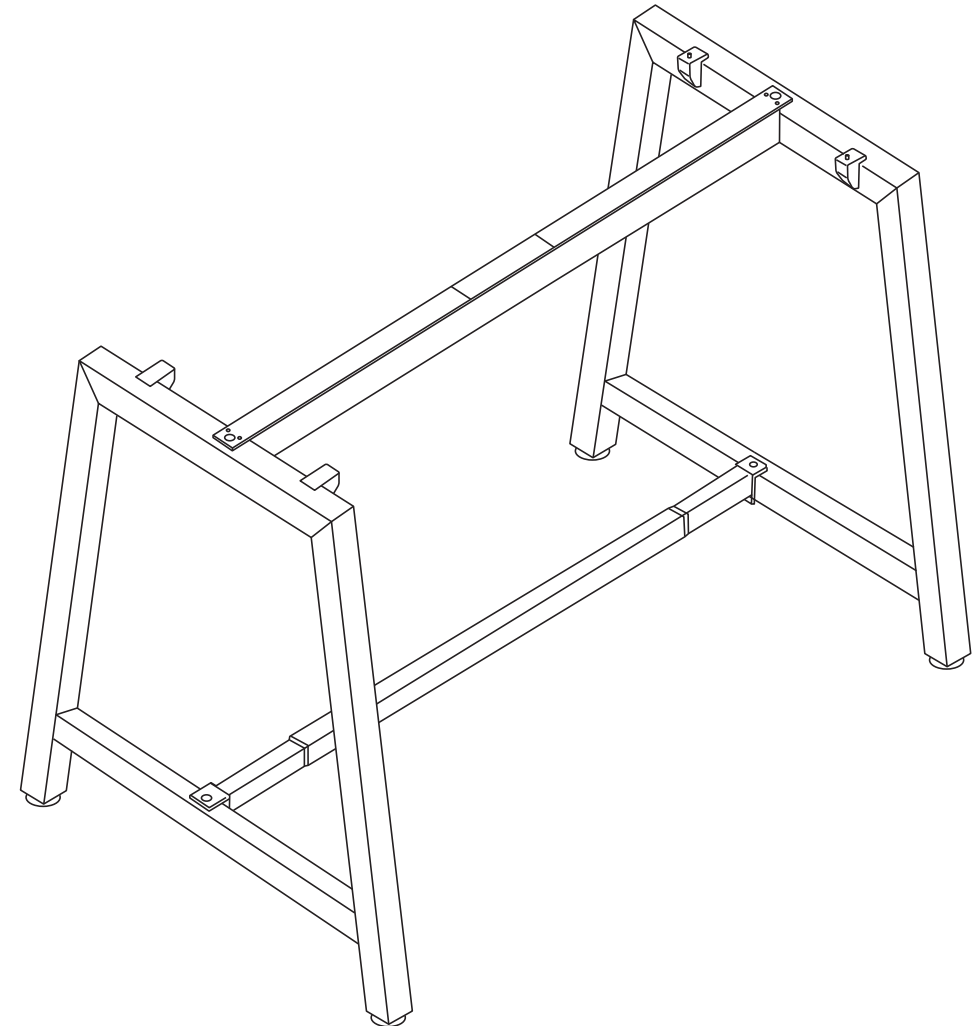
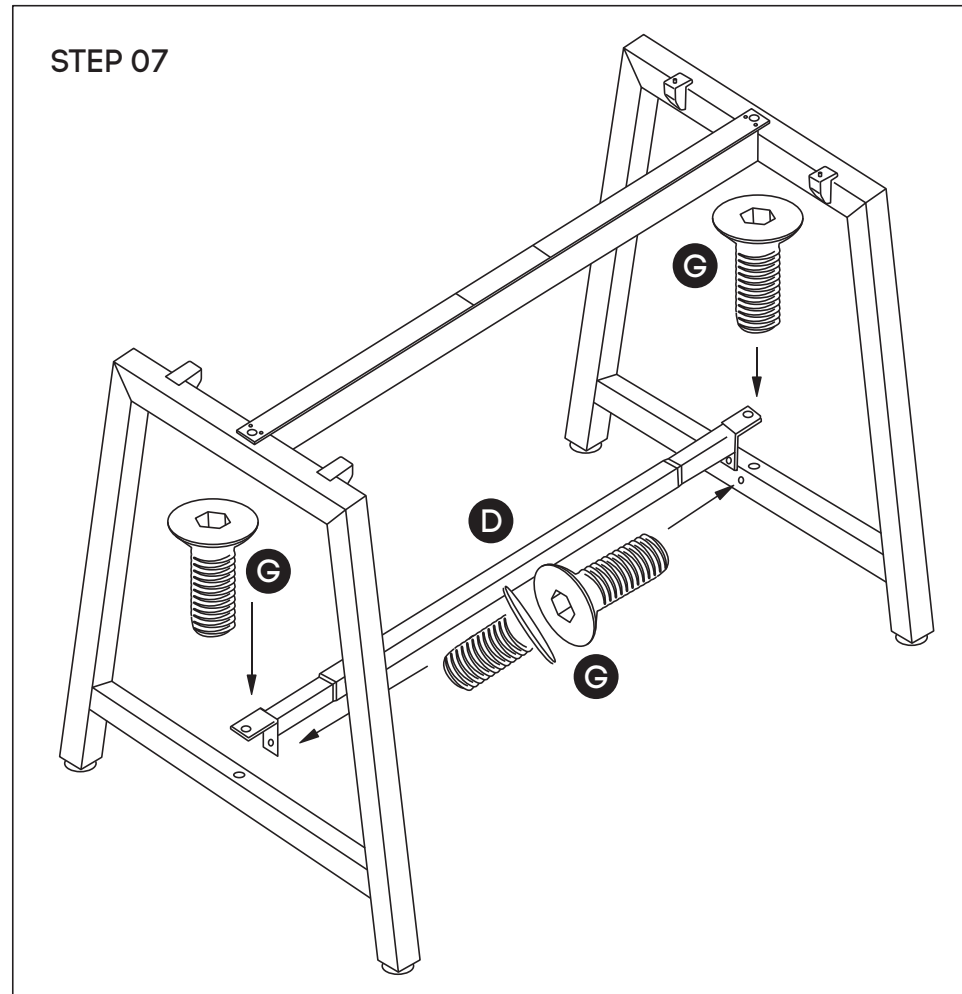
Need help!

Call us on
1300 527 665

jason.l
your office furniture mate



Sizes: 1800x1100 mm



Frame looks like this. Using Allen Key. Tighten Sockets **(G)** on the Lower Beam **(D)** using Allen Key **(J)**. Insert plastic spacers to improve rigidity. Attach two Sockets **(G)** to the side of the lower side beams (as shown in the picture).

ASSEMBLY INSTRUCTIONS

Quadro A leg Counter table Radius Corners

www.jasonl.com.au

Need help!
Call us on
1300 527 665

jason.l
your office furniture mate



Sizes: 1800x1100 mm

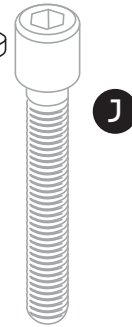
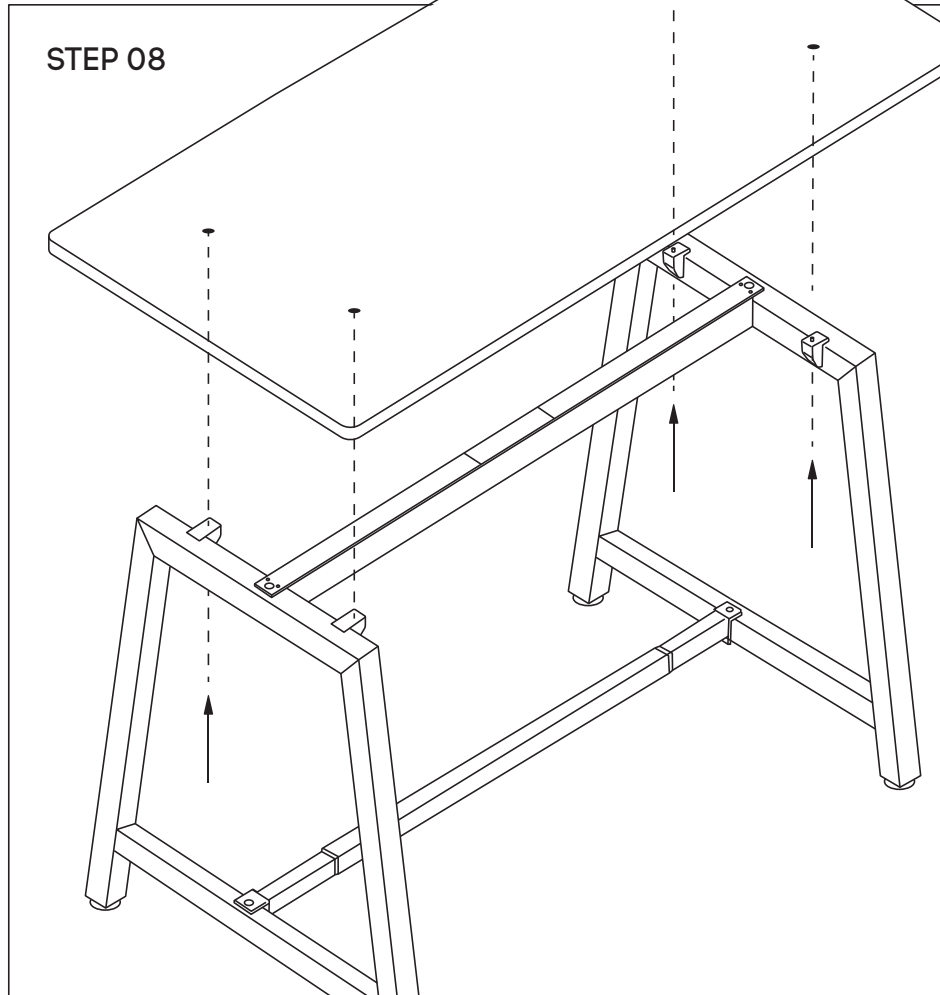
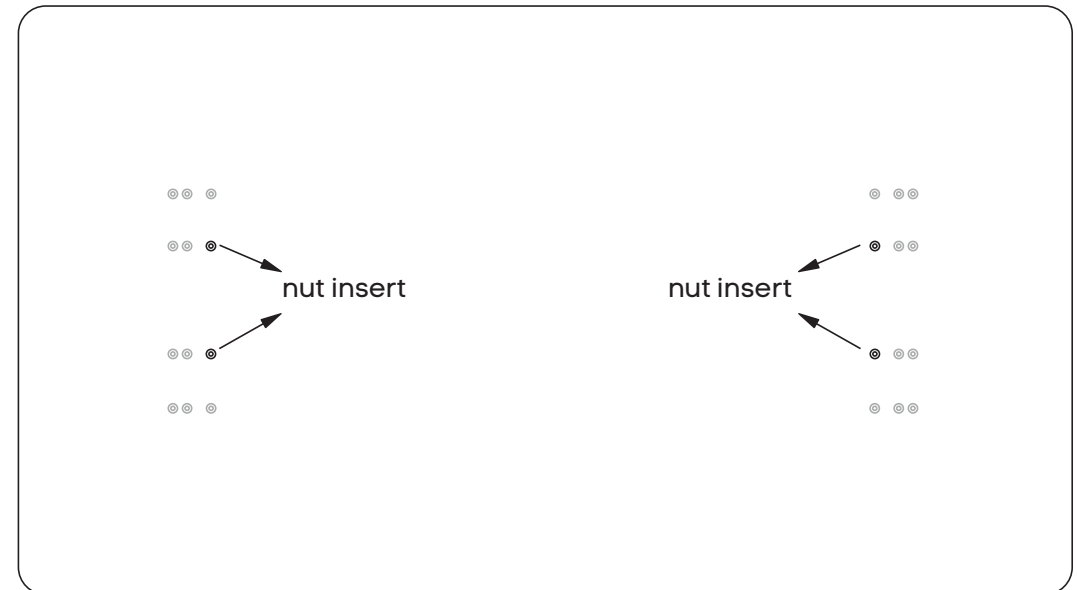


TABLE TOP
BOTTOM VIEW



Place desktop on top of frame. Please tighten screws using M6x30MM (J) into the underneath of the tops.