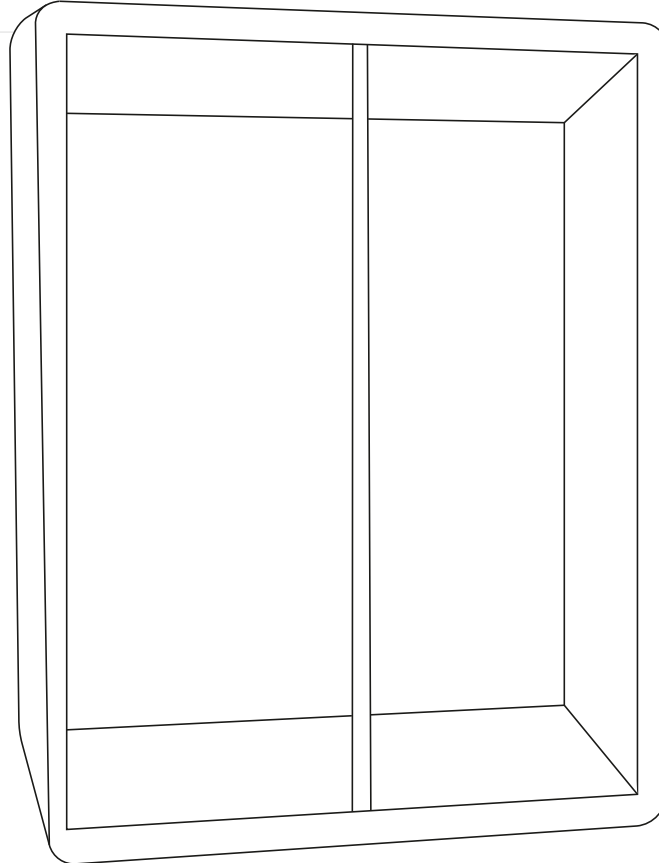


# Nest M Meeting Booth



**Need help!**

Call us on **1300 527 665**

# Nest M Meeting Booth

2 PERSON POD

## Alluminium alloy

<b>A11</b> - Upper left arc material x1 <b>A12</b> - Upper right arc material x1 <b>A13</b> - Lower left arc material x1 <b>A14</b> - Lower right arc material x1	
<b>A21</b> - Left front x1 <b>A22</b> - Left back x1 <b>A23</b> - Right front x1 <b>A24</b> - Right back x1 <b>A31</b> - Top front x1 <b>A32</b> - Bottom front x1 <b>A33</b> - Top back x1 <b>A34</b> - Bottom back x1	
<b>A101</b> - Curved cover x8	
<b>A201</b> - Jamb x1	

## Glass

<b>B101</b> - x1	
<b>B021-B022</b> - x2	

## Panel

<b>C11-C13</b> - Left	x2	
	x1	
<b>C21-C23</b> - Right x3	x3	
<b>C31-C33</b> - Top	x2	
	x1	
<b>C41-C43</b> - Bottom x3	x3	

## Interior Panel

<b>D11-D12</b> - Left	x1	
	x1	
<b>D21-D22</b> - Right	x2	
<b>D31-D32</b> - Top	x2	
	x2	
<b>D40</b> - Carpet	x1	

## Hardware

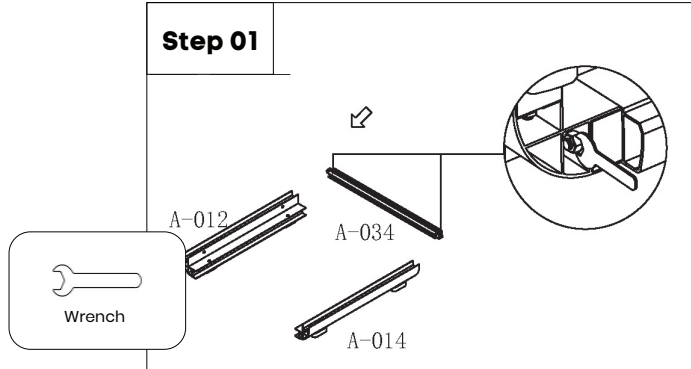
<b>Y11</b> - Power cord x1	
<b>Y12</b> - Combined socket x1	
<b>Y13</b> - Knob controller x1	
<b>Y14</b> - Infrared sensor x1	
<b>Y15</b> - Light1 x1	
<b>Y21</b> - Door lock x1	
<b>Y22</b> - Cross bar x1	
<b>Y31</b> - M5*16 Hexagon socket screw x30+2	
<b>Y32</b> - M6*12 screws X1	
<b>Y33</b> - M6*12 screws X1	
<b>Y34</b> - Door screws x2	
<b>Y35</b> - Set crews x1	
<b>Y36</b> - ST4.2*25 screws x8+1	
<b>Y41</b> - Glass sealing strip (inner) x1	
<b>Y42</b> - Glass sealing strip (between) x1	

**Need help!**

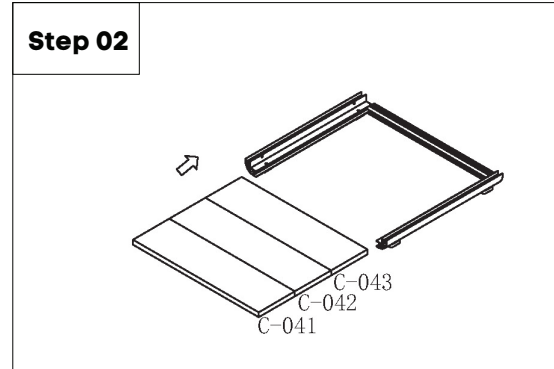
Call us on **1300 527 665**

# Nest M Meeting Booth

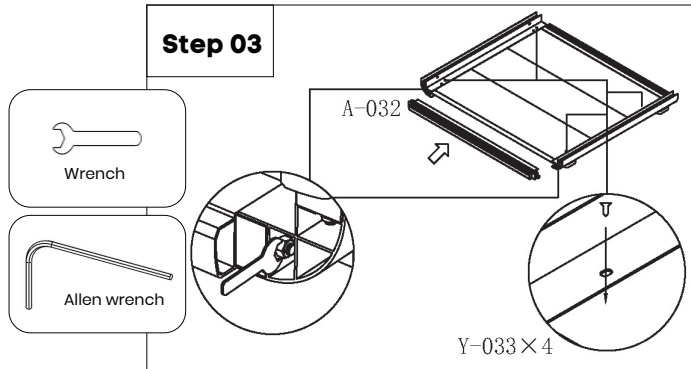
## Step 01



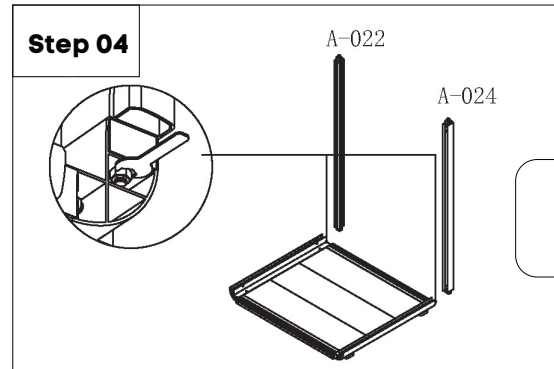
## Step 02



## Step 03

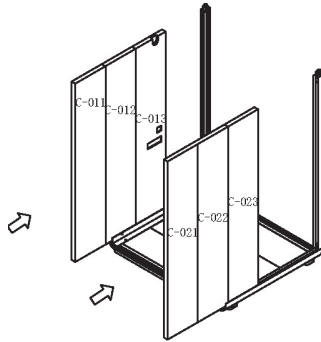


## Step 04



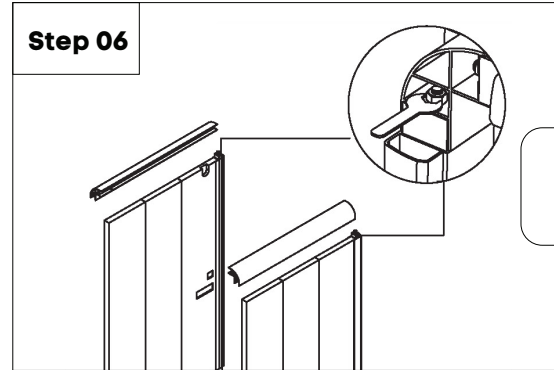
# Nest M Meeting Booth

## Step 05



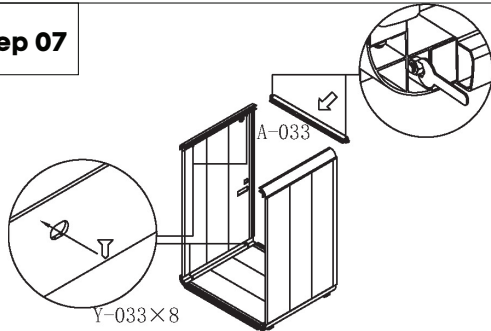
Rubber Hammer

## Step 06



Wrench

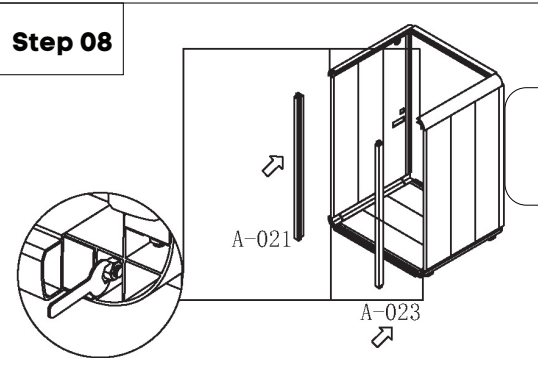
## Step 07



Wrench

Allen wrench

## Step 08

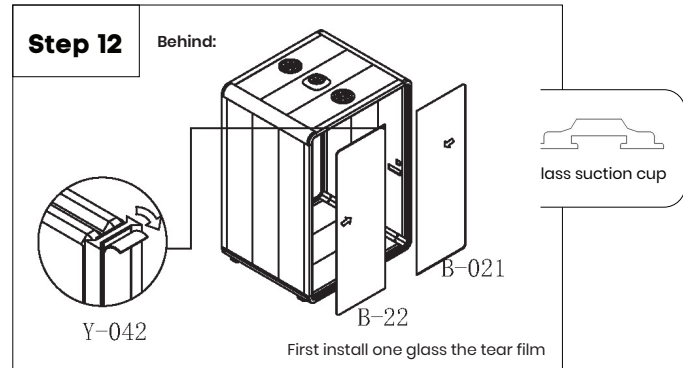
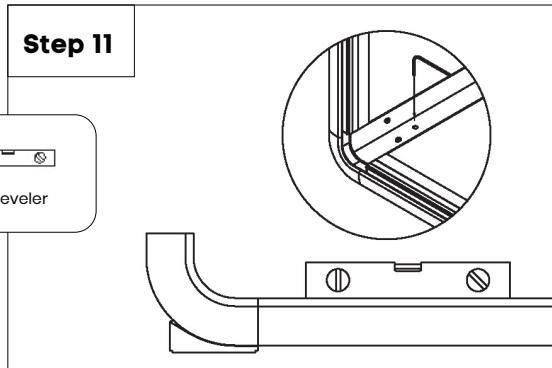
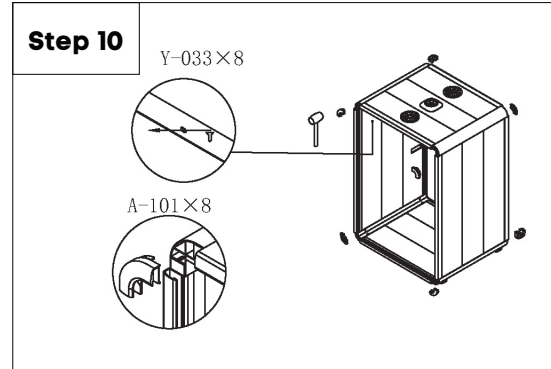
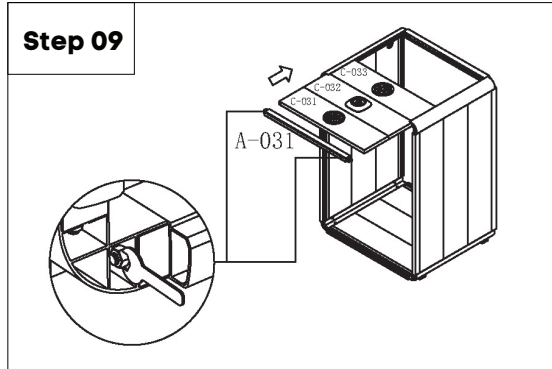


Wrench

**Need help!**

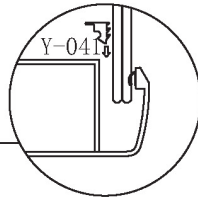
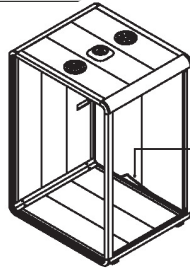
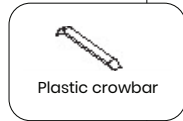
Call us on **1300 527 665**

# Nest M Meeting Booth



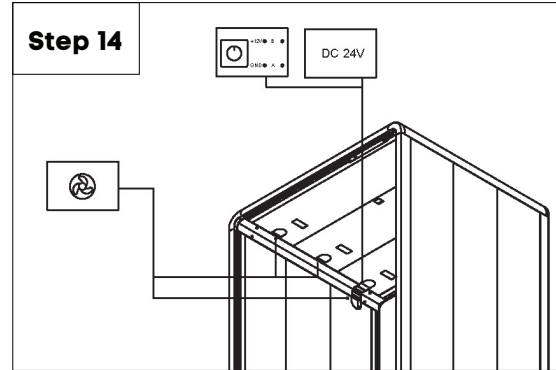
# Nest M Meeting Booth

## Step 13

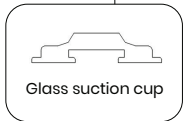


Fit into fixed glass

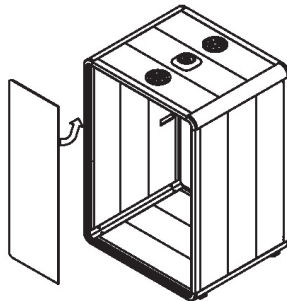
## Step 14



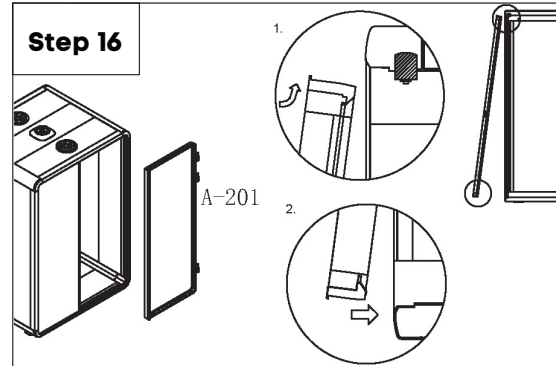
## Step 15



B-011

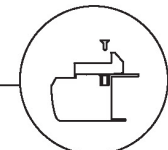
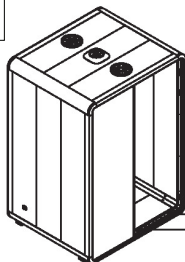
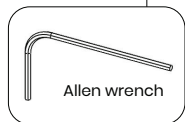


## Step 16



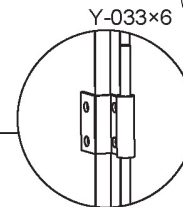
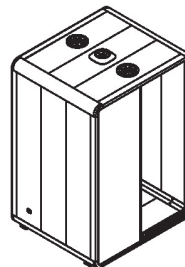
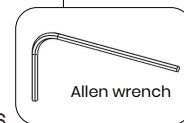
# Nest M Meeting Booth

**Step 17**



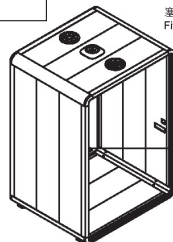
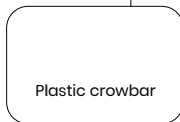
Y-033×8

**Step 18**

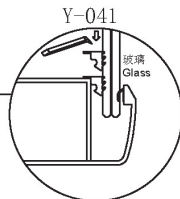


Y-033×6

**Step 19**

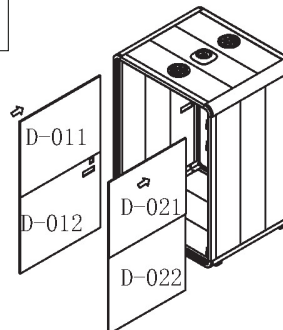


塞入前玻璃  
Fit into front glass



Fit into fixed glass

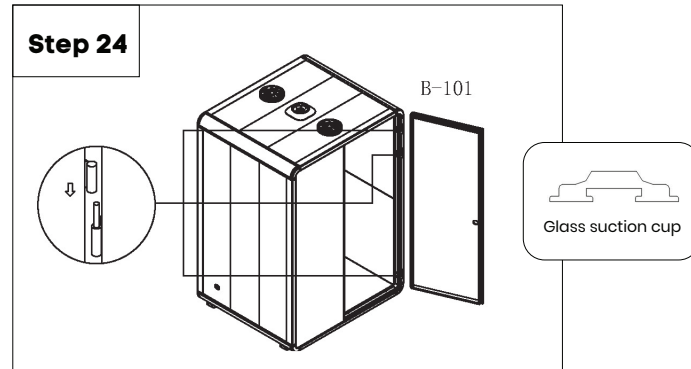
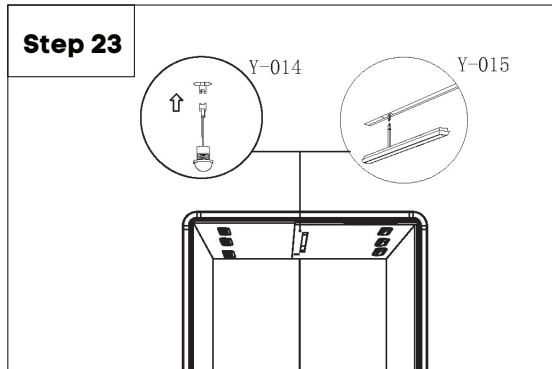
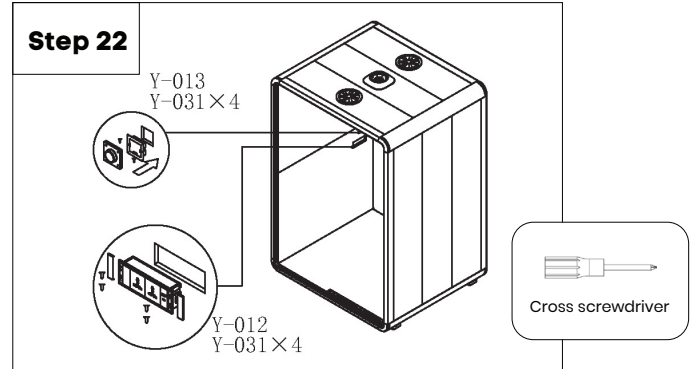
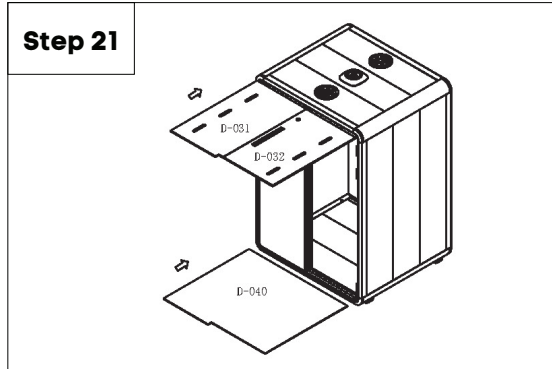
**Step 20**



**Need help!**

Call us on **1300 527 665**

# Nest M Meeting Booth



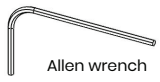


# Nest M Meeting Booth

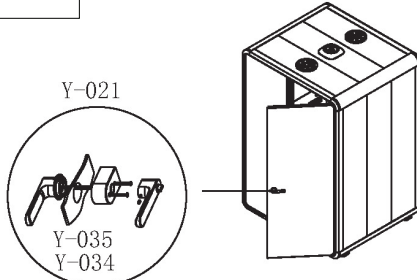
## Step 25



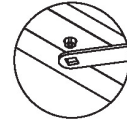
Cross screwdriver



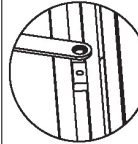
Allen wrench



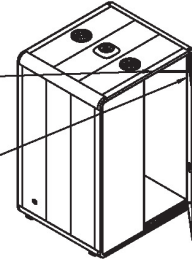
## Step 26



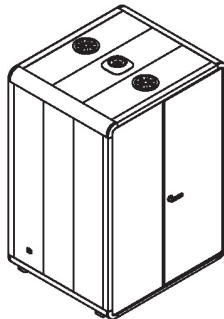
Y-033



Y-032

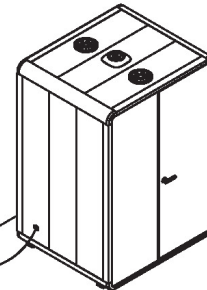


## Step 27

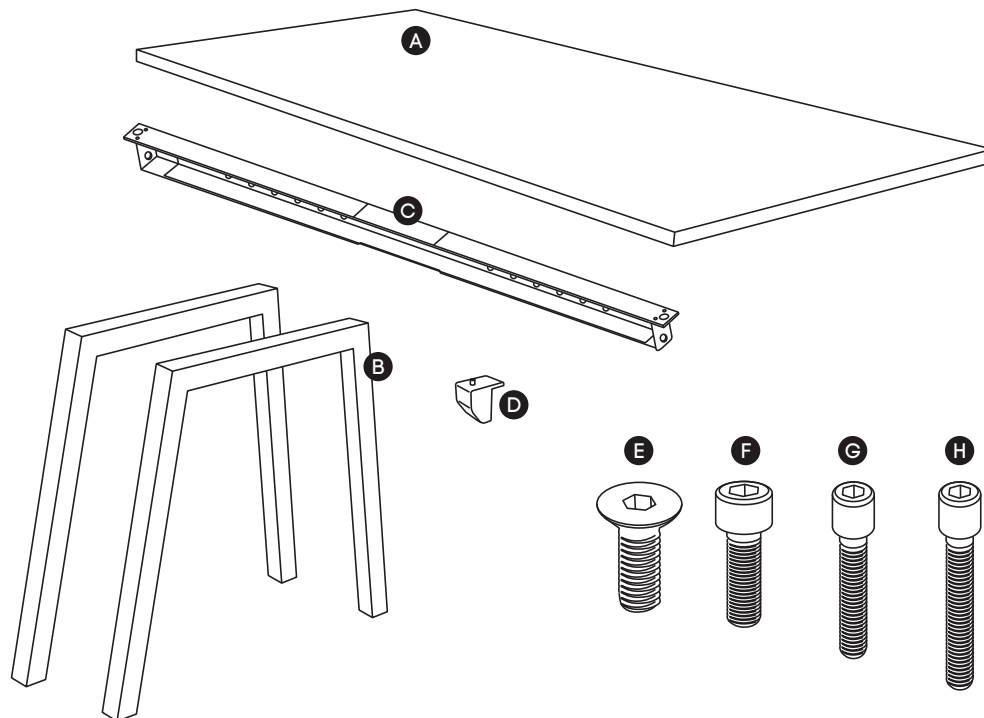


## Step 28vv

Y-011



# Nest M Meeting Booth



## COMPONENTS

- A Table top x1
- B Legs Quadro A x2
- C Beam x1 \*
- D Plastic bracket x4

## SCREWS

- E M8x20MM CSK x1
- F M8x20MM Socket head x1
- G M6x20MM Socket head x2
- H M6x30MM Socket head x2

- I Allen key x2

\* Colour of the beam is always black, regardless desk frame colour.

**Need help!**

Call us on **1300 527 665**

# Nest M Meeting Booth



Using Allen Key provided, attach 2 plastic brackets per leg (**D**) (as per picture above) using M6x20MM (**G**) Socket head screw

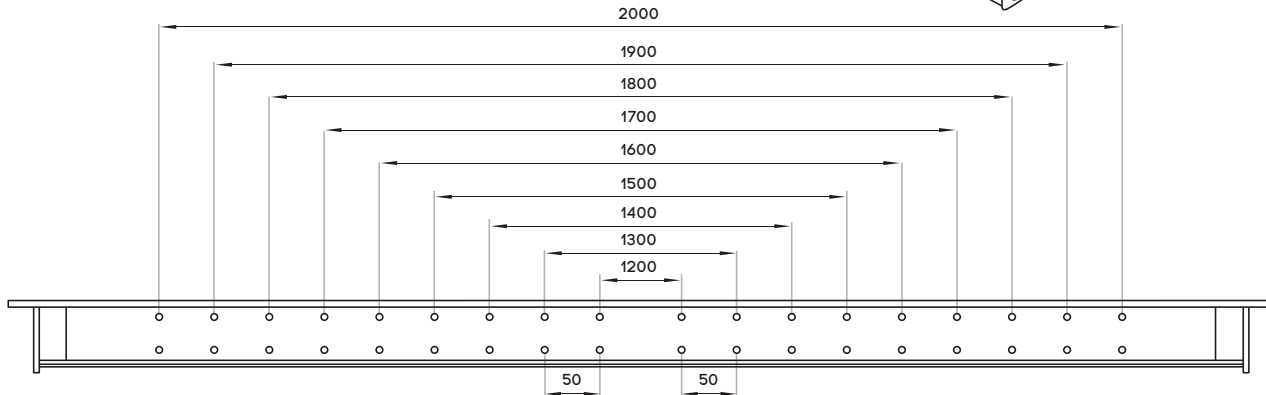
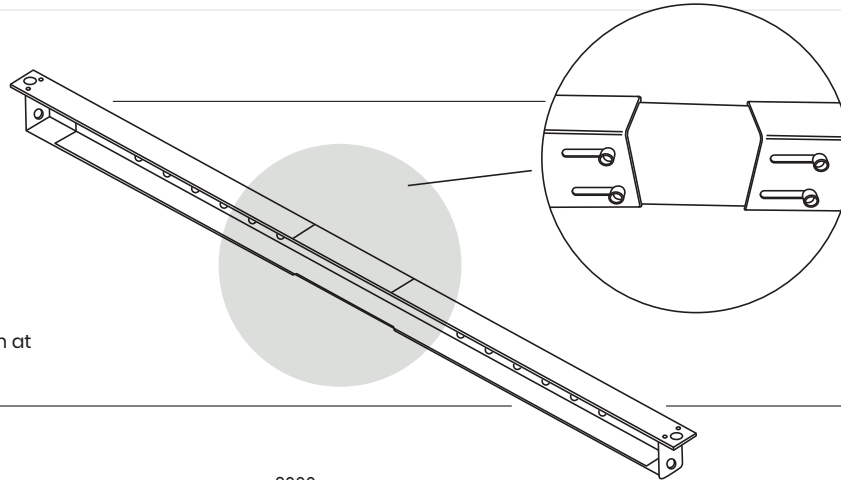


Using Allen Key provided, attach M8x20MM Socket head (**F**)-screw socket half way into leg for both legs (**B**)

# Nest M Meeting Booth

## STEP 03

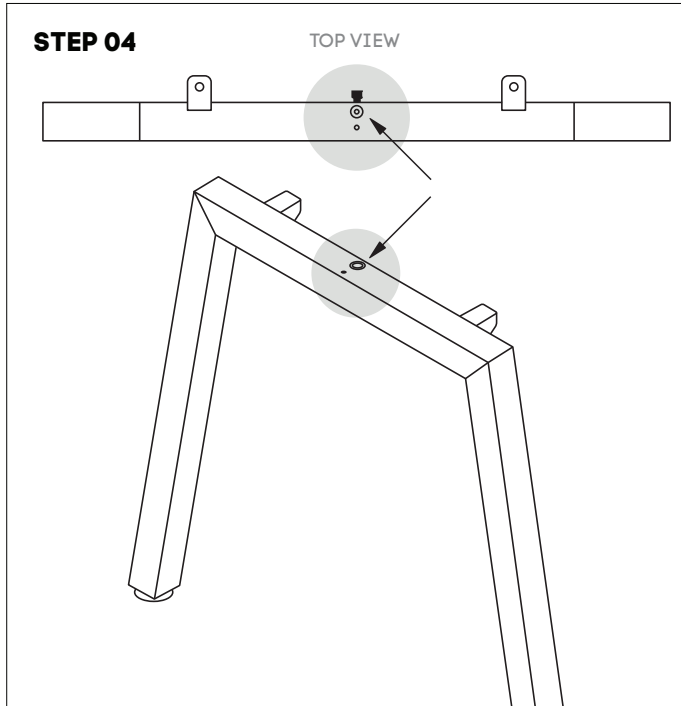
Adjust extendable beam (C) to desired length using markers and secure beam at that length using screws provided



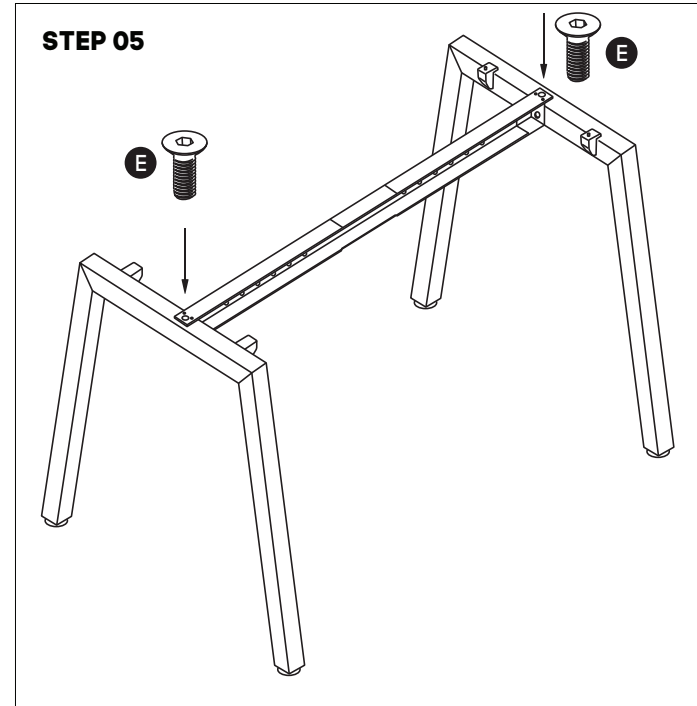
**Need help!**

Call us on **1300 527 665**

# Nest M Meeting Booth



Attach beam (C) to legs (B) using nut insert in legs  
See point attached

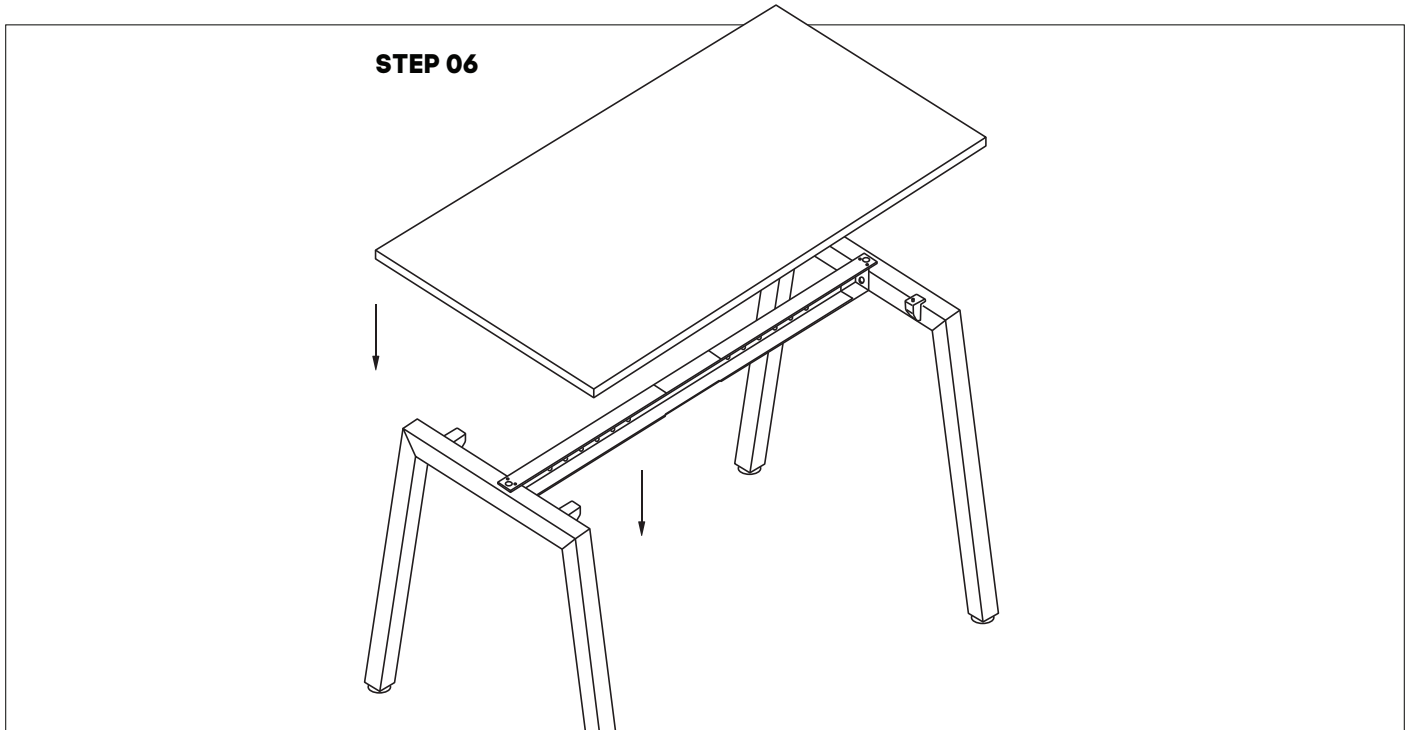


Frame looks like this. Using Allen Key, attach beam (C) with Socket (E)

**Need help!**

Call us on **1300 527 665**

# Nest M Meeting Booth

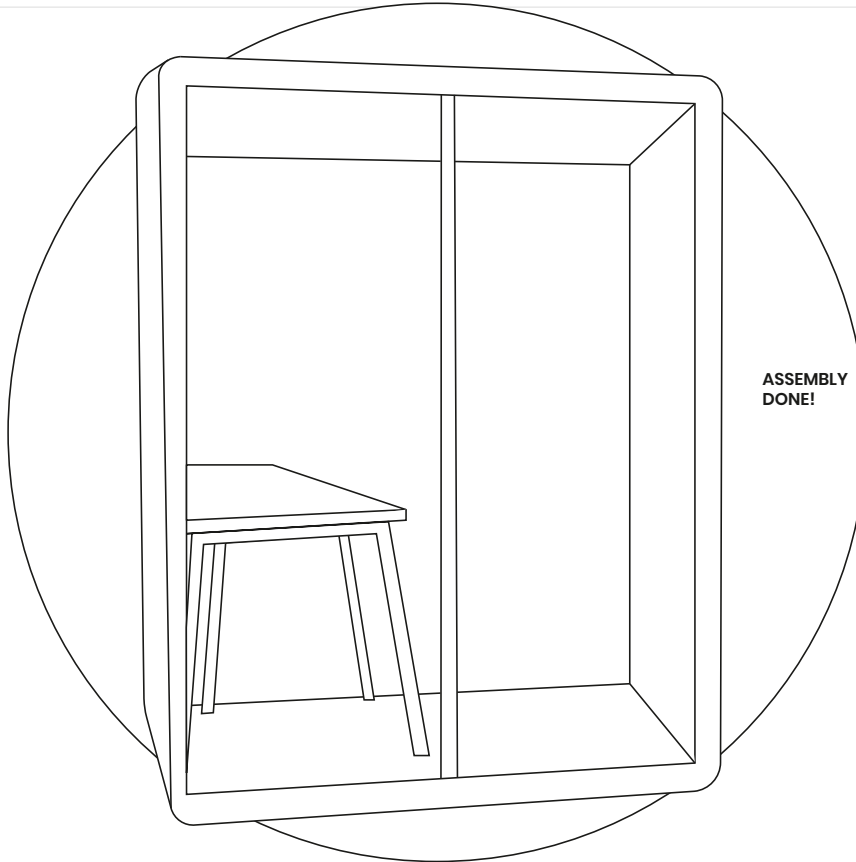


Place desktop on top of frame. Wood Screws to be drilled into the underneath Top.

**Need help!**

Call us on **1300 527 665**

# Nest M Meeting Booth



ASSEMBLY  
DONE!

**Need help!**

Call us on **1300 527 665**