

ASSEMBLY INSTRUCTIONS

Uniform Medium 2 Door Cupboard

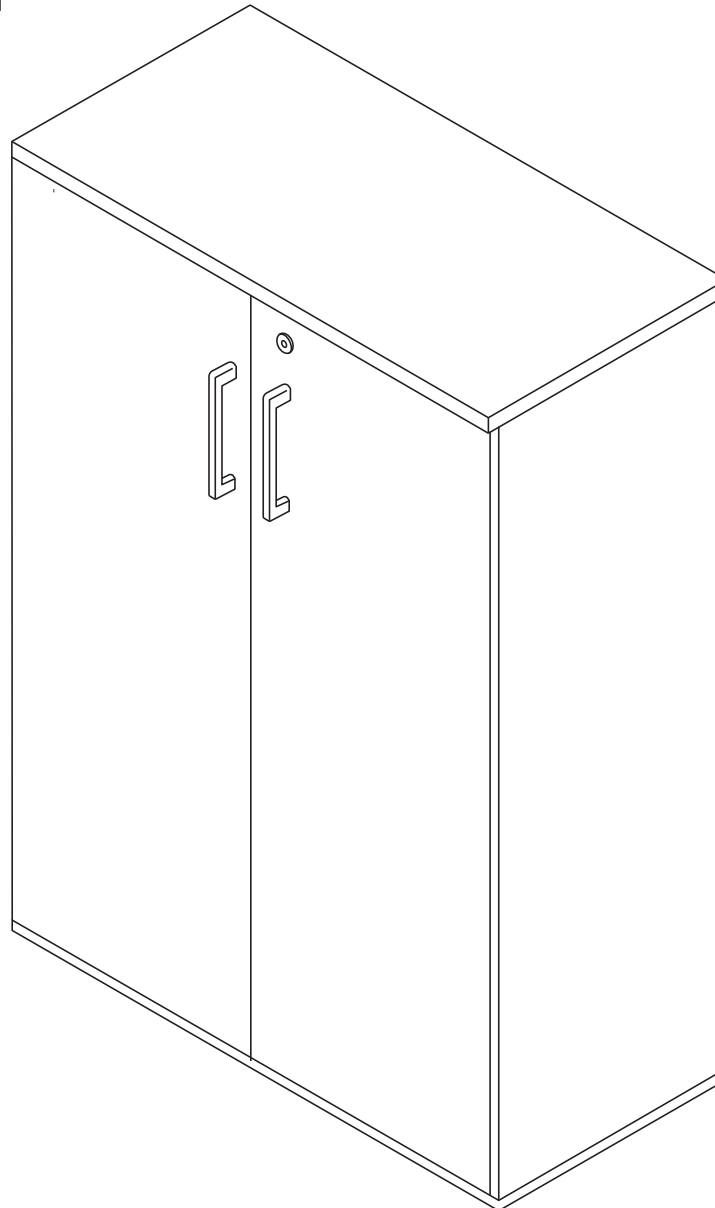
Size (mm): 800L x 350D x 1170H

www.jasonl.com.au

Need help!

Call us on
1300 527 665

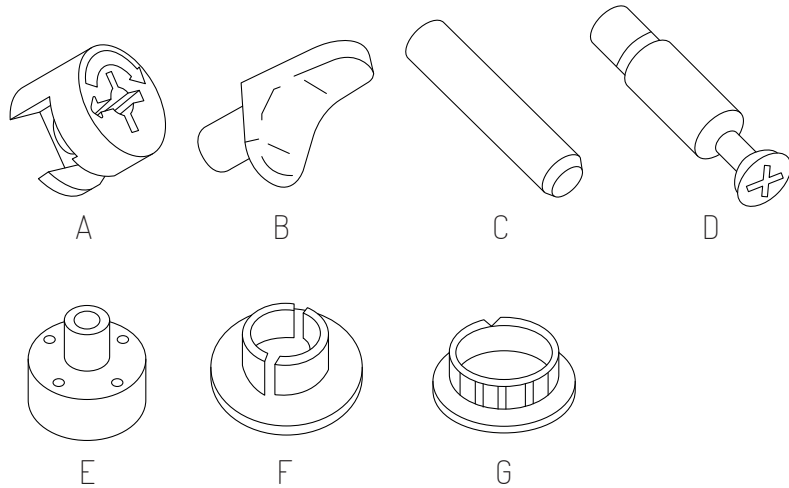
jason.l
your office furniture mate



ASSEMBLY INSTRUCTIONS

Uniform Medium 2 Door Cupboard

Size (mm): 800L x 350D x 1170H



COMPONENTS

- | | |
|---------------------------------|--------------------------------|
| A Minifix Housing x16 | E Adjustable Leveller N2880 x5 |
| B Collar Stud x10 | F Leveller N2880 Cap x5 |
| C Rubber Wood Dowel M8x40mm x12 | G Deco Cap x5 |
| D Minifix Connecting Bolt x16 | H Safety hook * |

PANELS

- Top Panel x1
- Back Panel x1
- Side Panel x2
- Base Panel x1
- Shelf Panel x2
- Top Rail x1 (*)
- Door Panel x2

DOOR ASSEMBLY

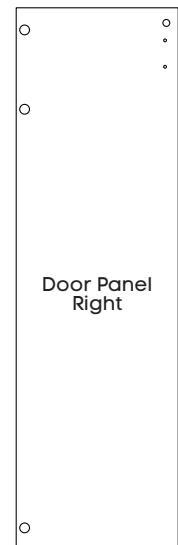
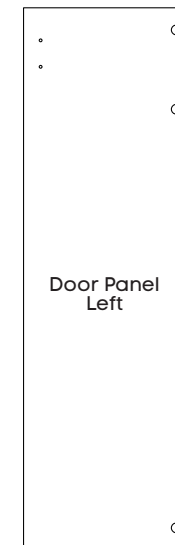
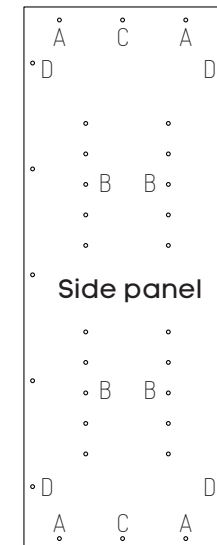
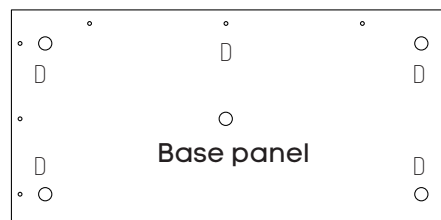
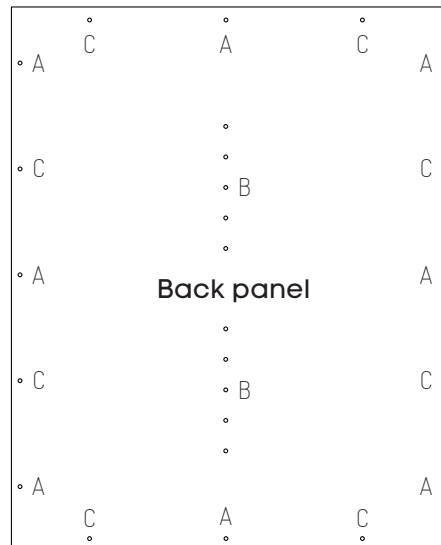
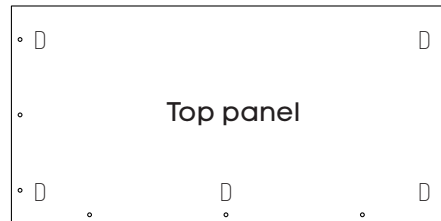
- 5/8 Door Hinge c/w Mounting Plate x4
- Chipboard Screw 4x16mm x24
- CSK Tapping Screw #4 3/4" x4
- Rim Lock CL 2/3 x1
- Pan Head Self Tapping Screw x4
- L Huwil Bracket x1
- Plate Bracket BK x1

www.jasonl.com.au

Need help!

Call us on
1300 527 665

jason.l
your office furniture mate



(*) The top rail is only required when assembling this unit with doors.

ASSEMBLY INSTRUCTIONS

Uniform Medium 2 Door Cupboard

Size (mm): 800L x 350D x 1170H

www.jasonl.com.au

Need help!

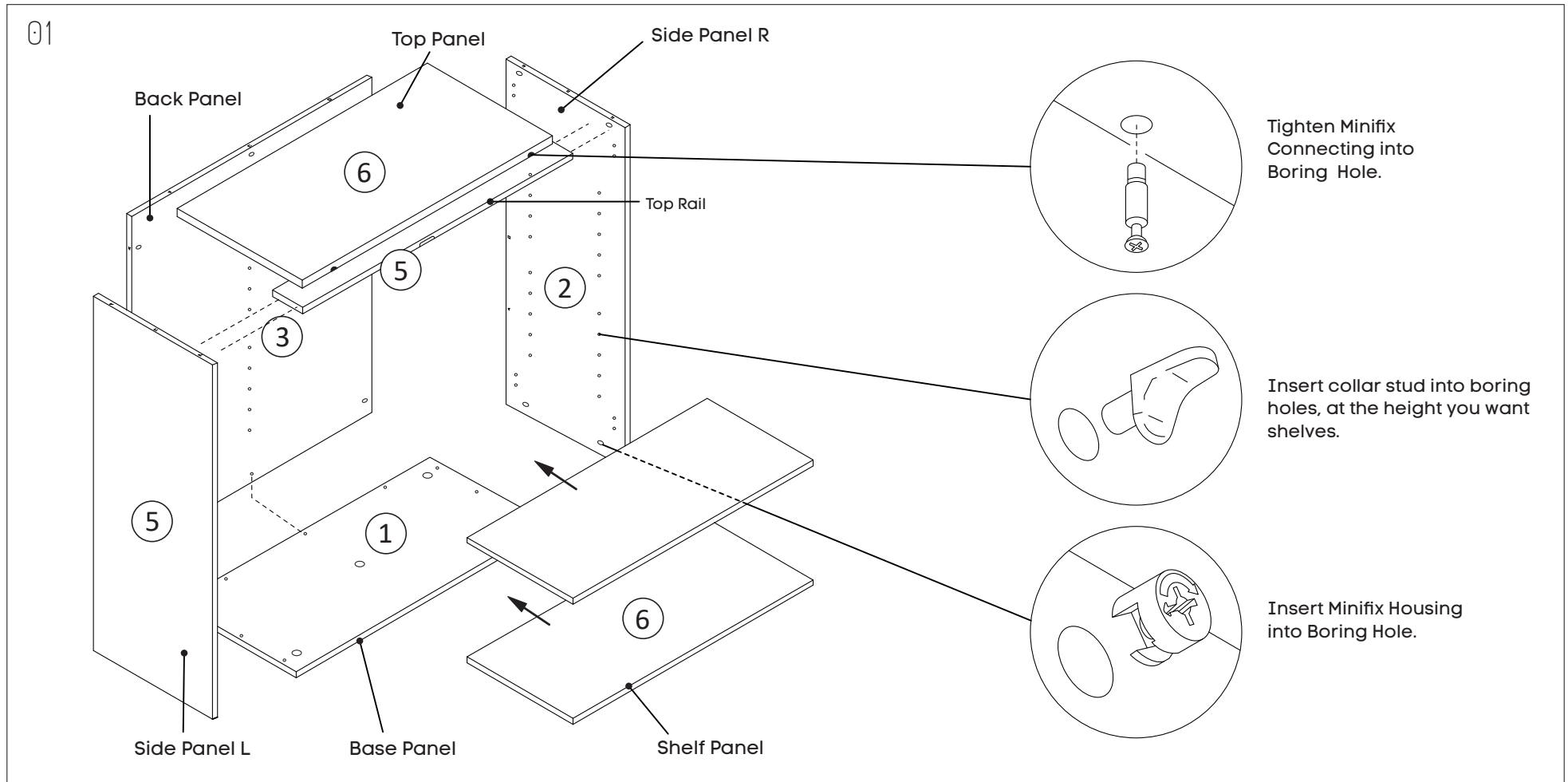
Call us on
1300 527 665

jason.l
your office furniture mate



Function of Klux Cam
Turn for locking
75° Min - 195° Max

Make sure the arrow is pointing upwards before inserting into the panel's hole.



Assemble all panels in the following order.

ASSEMBLY INSTRUCTIONS

Uniform Medium 2 Door Cupboard

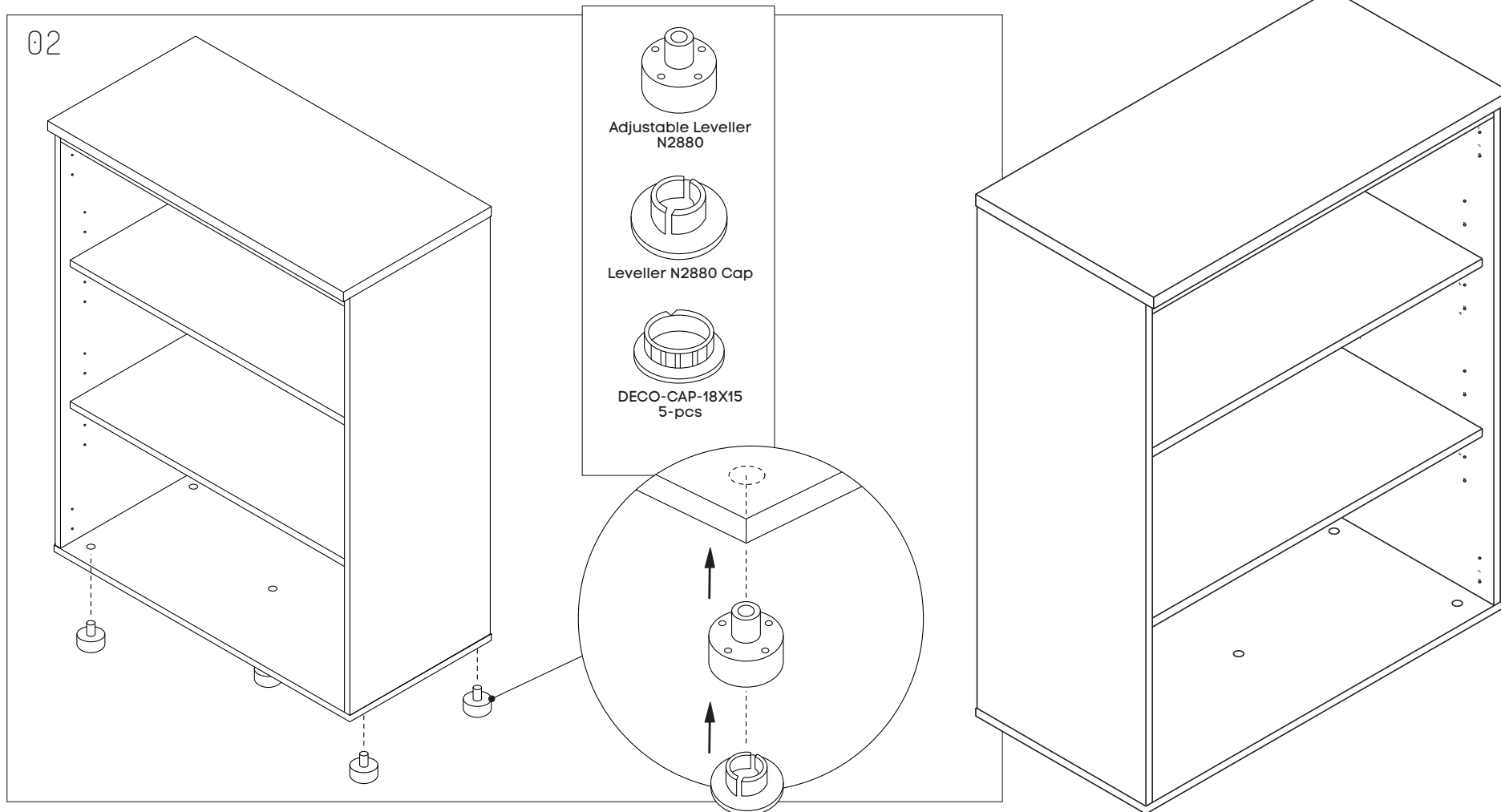
Size (mm): 800L x 350D x 1170H

www.jasonl.com.au

Need help!

Call us on
1300 527 665

jason.l
your office furniture mate



Tighten leveller into boring hole and screw the cap.
Use DECO-CAP-18X15 to seal holes on base panel.

ASSEMBLY INSTRUCTIONS

Uniform Medium 2 Door Cupboard

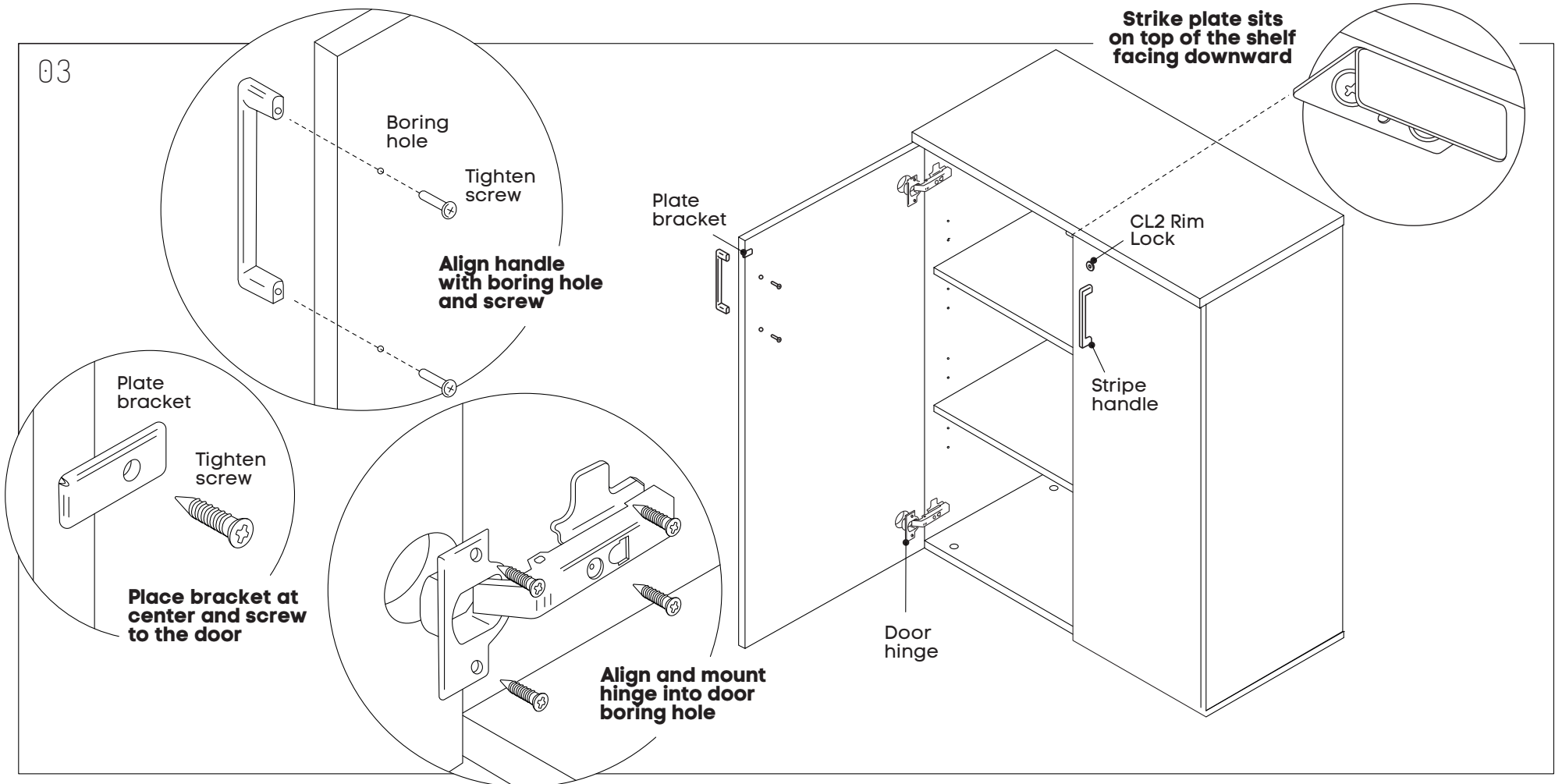
Size (mm): 800L x 350D x 1170H

www.jasonl.com.au

Need help!

Call us on
1300 527 665

jason.l
your office furniture mate



Tighten leveller into boring hole and screw the cap.
Use DECO-CAP-18X15 to seal holes on base panel.

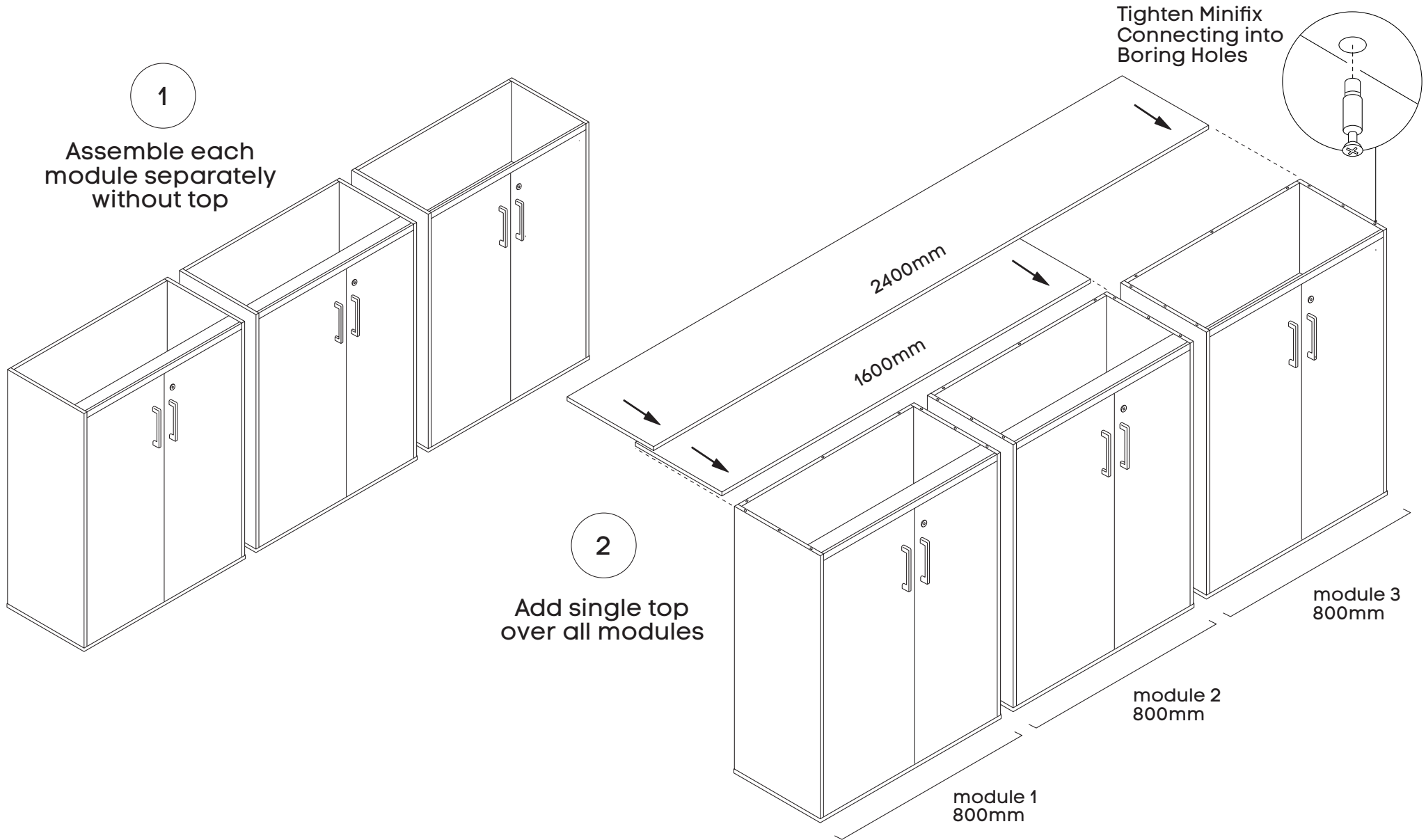
ASSEMBLY INSTRUCTIONS

If you have purchased storage units that are 1600mm or 2400mm wide

www.jasonl.com.au

Need help!
Call us on
1300 527 665

jason.l
your office furniture mate



ASSEMBLY INSTRUCTIONS

Uniform Medium 2 Door Cupboard

Size (mm): 800L x 350D x 1170H

www.jasonl.com.au

Need help!

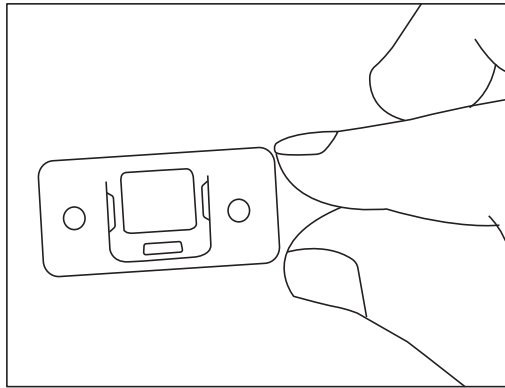
Call us on
1300 527 665

jason.l
your office furniture mate

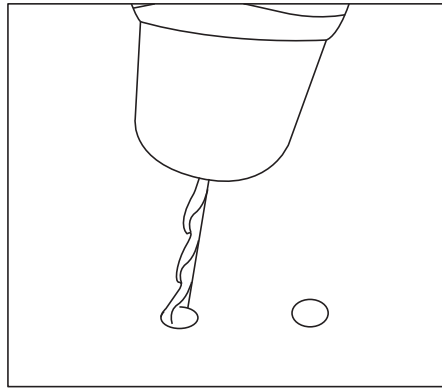


Safety hook *

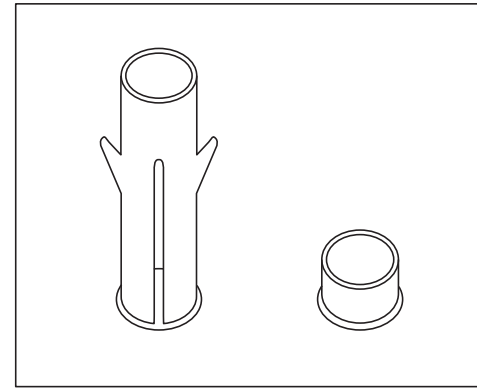
Large furniture provides ample storage space while making your home look great. If you have kids at home, you should firmly secure your large and heavy furniture to prevent it from toppling.



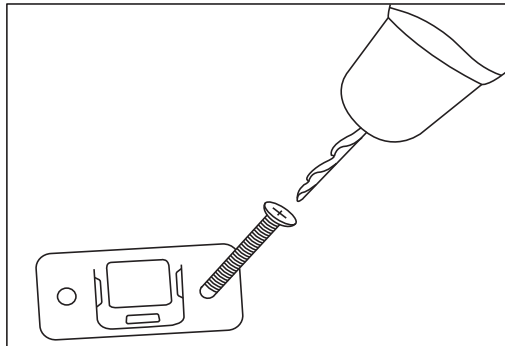
First set the location for install



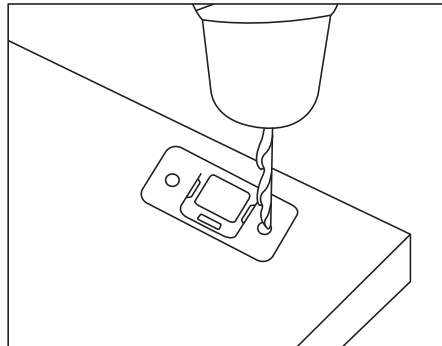
Select the location where the wall is installed and punch 08 mm



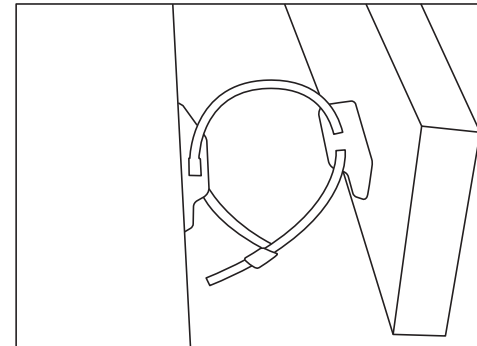
Install the screw expansion tube into the hole



Mounting screws

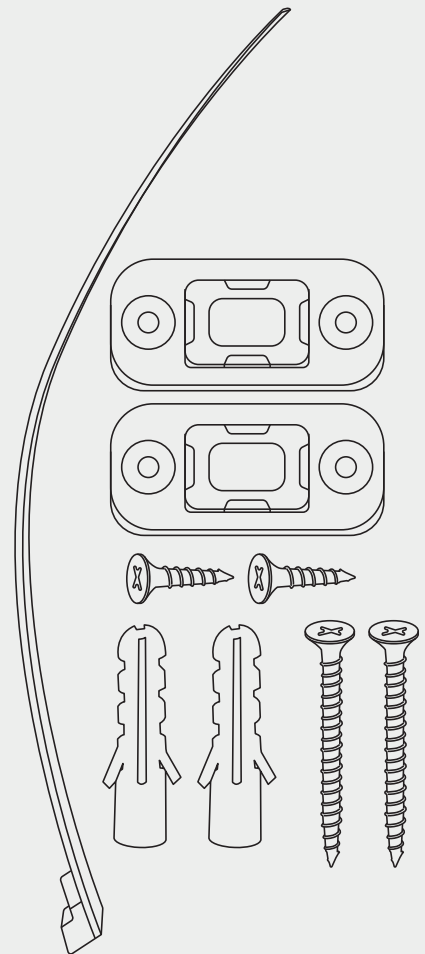


Choose a location that is fixed in the furniture



Adjust the distance of the connecting belt and complete the installation

Components included



JasonL strongly recommends that the safety hook will be utilized in all circumstances to prevent falls when the bookcase is installed on uneven ground, is unevenly packed or is interfered with by pets, children, or as a result of any other household or commercial activity. We disclaim all liability for any loss occasioned in the event that the safety hook is not used or has been improperly installed