

McDuck Drafting Chair instruction

jason.l
your office furniture mate



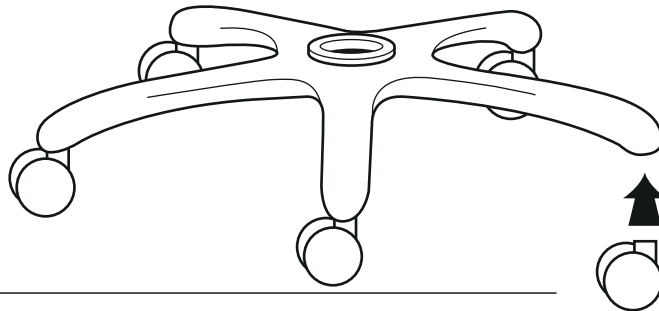
McDuck Drafting Chair instruction

jason.l
your office furniture mate



Drafting Base Assembly

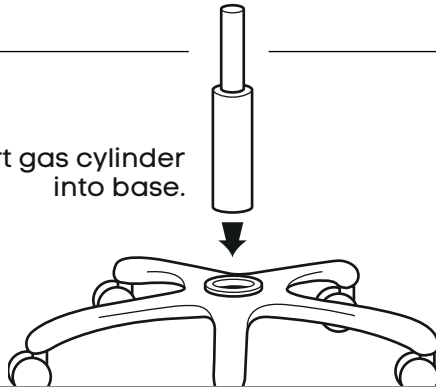
STEP 1



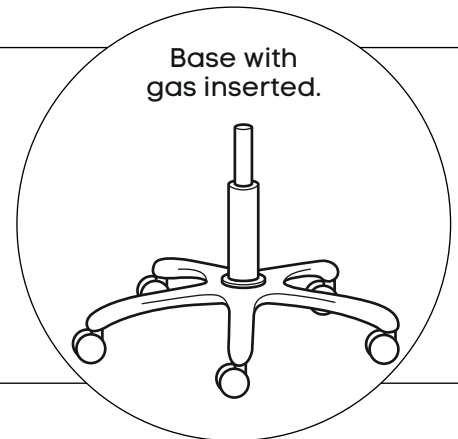
Insert castors
into base.

STEP 2

Insert gas cylinder
into base.

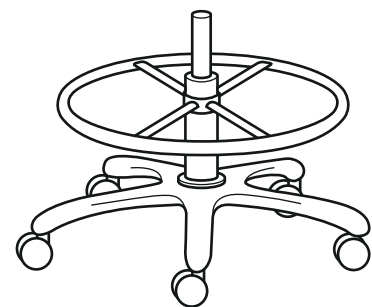
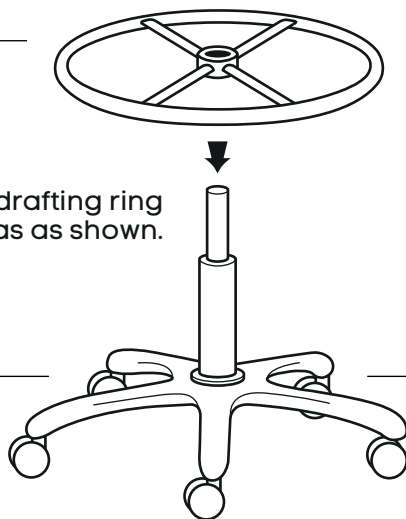


Base with
gas inserted.



STEP 3

Insert drafting ring
over gas as shown.



Base assembly complete !

Need help!

Call us on **1300 527 665**

www.jasonl.com.au

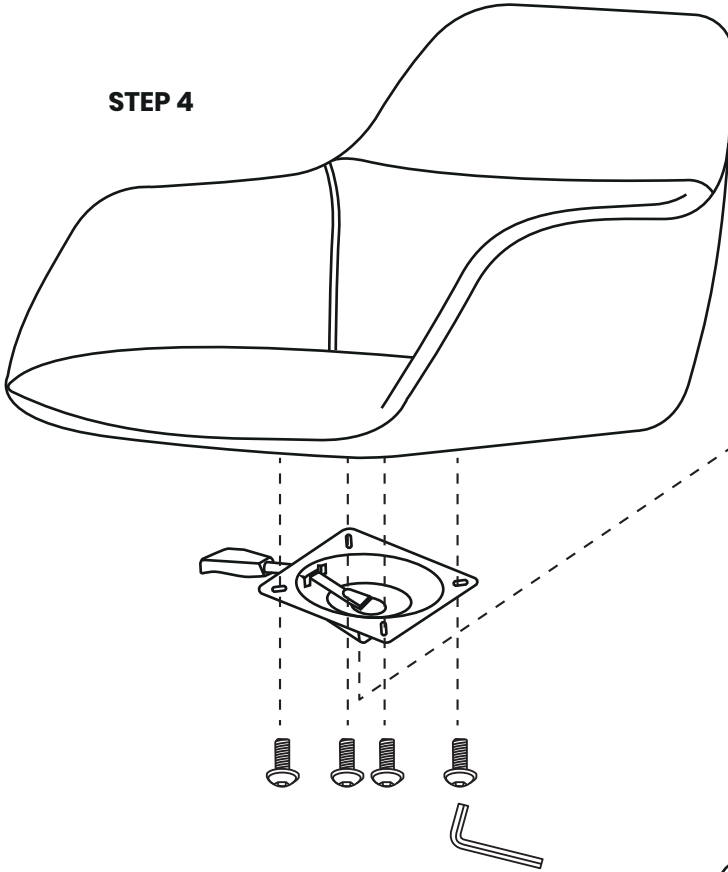
2 of 3

McDuck Drafting Chair instruction

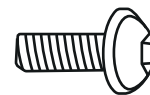
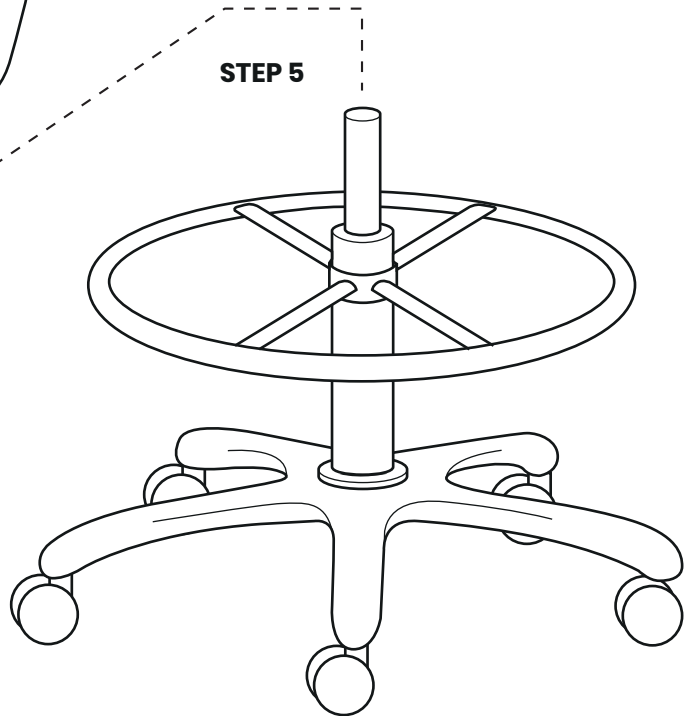
jason.l
your office furniture mate



STEP 4



STEP 5



M6x20
x4



5mm
x1

Need help!

Call us on **1300 527 665**

www.jasonl.com.au

3 of 3