

Macaw chair

jason.l
your office furniture mate



Need help!














Call us on **1300 527 665**

www.jasonl.com.au

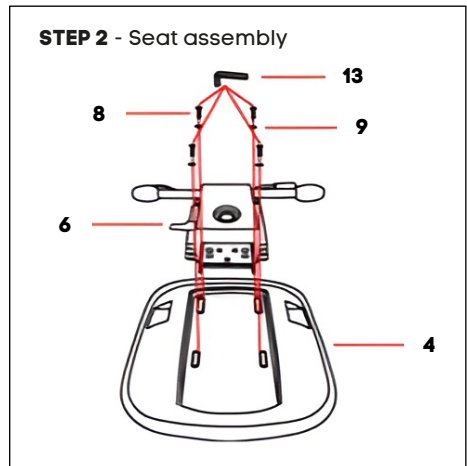
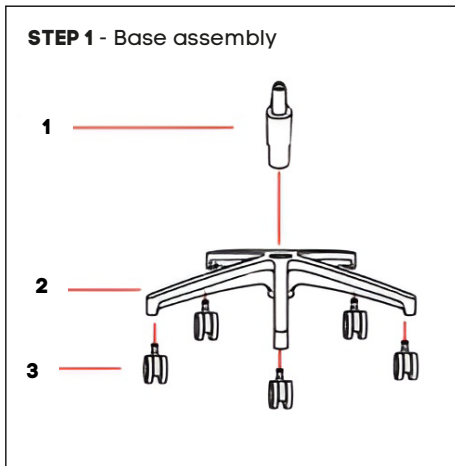
1 of 3

Macaw chair

Parts

1	2	3	4	5	6	7	8	9	10	11	12	13
												
							M6x16 mm	M8x17 mm	M8x45 mm	M8x13 mm	M8x50 mm	M5
1pcs	1pcs	5pcs	1pcs	1pcs	1pcs	2pcs	4pcs	7pcs	3pcs	3pcs	2pcs	1pcs

Assembly instruction

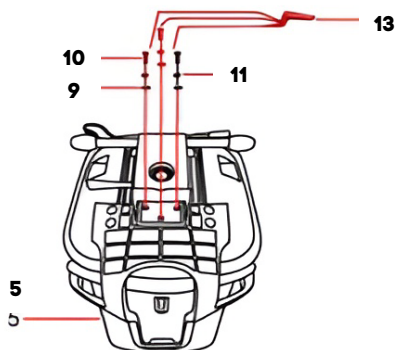


Macaw chair

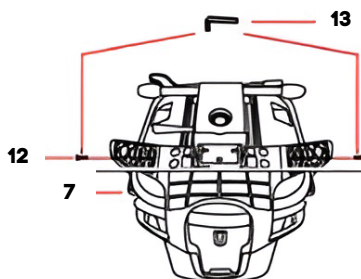
jason.l
your office furniture mate



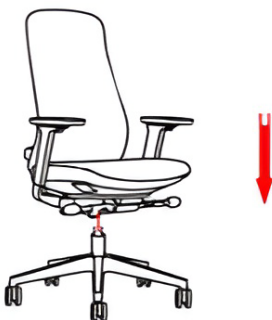
STEP 3 - Back assembly



STEP 4 - Adjustable arm assembly



STEP 5 - Join base assembly with seat & back assembly



**Assembly
done!**



Need help!

Call us on **1300 527 665**

www.jasonl.com.au

3 of 3