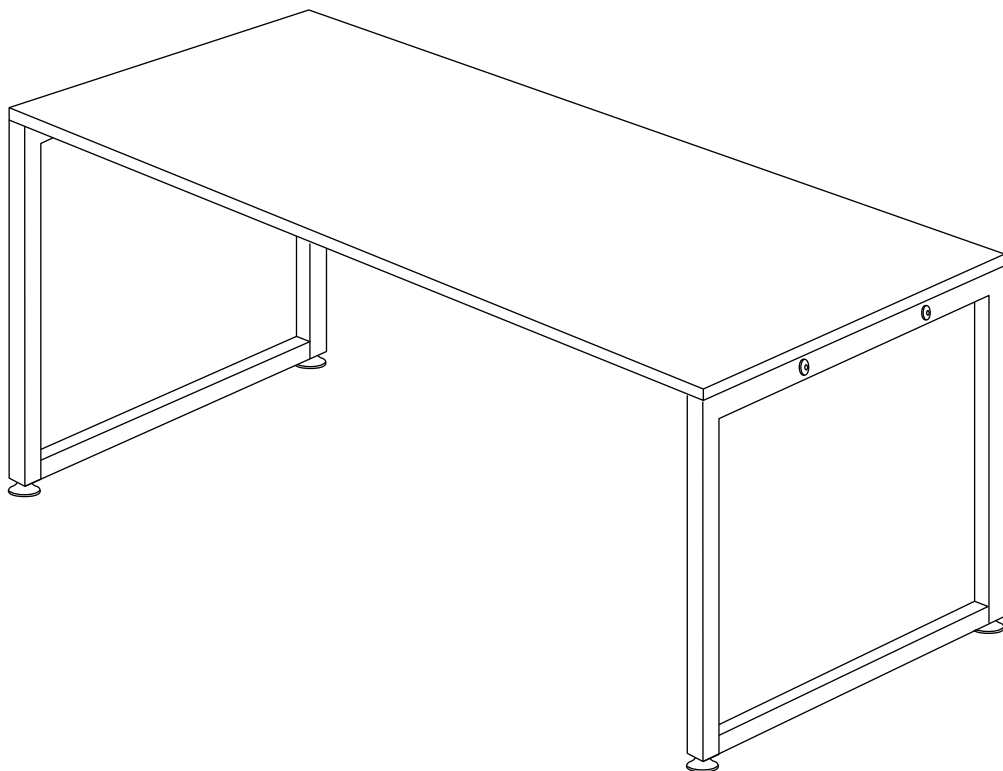
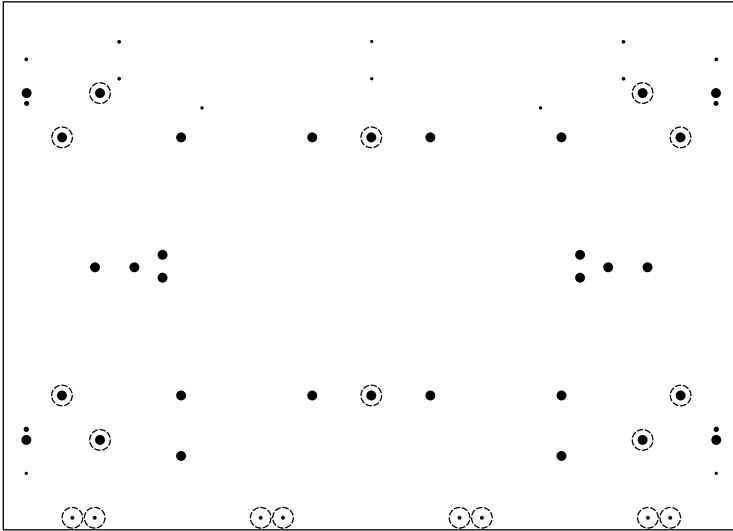


# ASSEMBLY INSTRUCTIONS

# Litewall Evolve



# Components

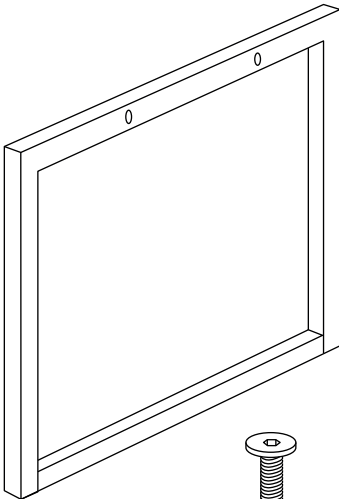


**1x A**

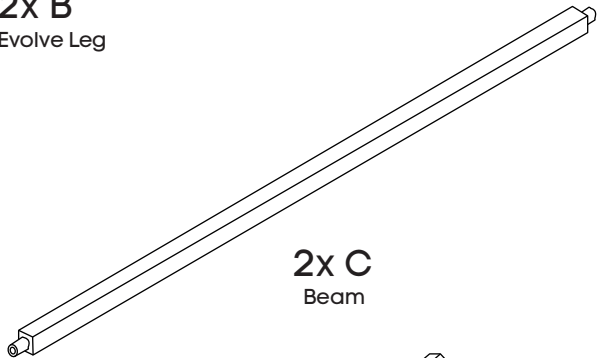
Litewall Evolve  
Desk Top  
1200 | 1600 | 1800 mm



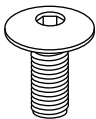
Please use marked holes  
for Litewall Evolve Desk top



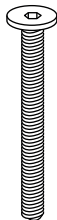
**2x B**  
Evolve Leg



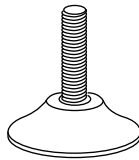
**2x C**  
Beam



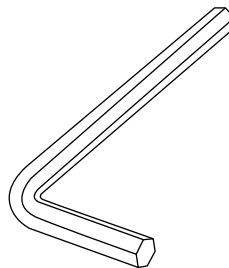
**4x D**  
M10 Screw



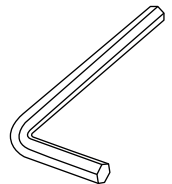
**6x E**  
M8 Screw



**4x F**  
Base Foot



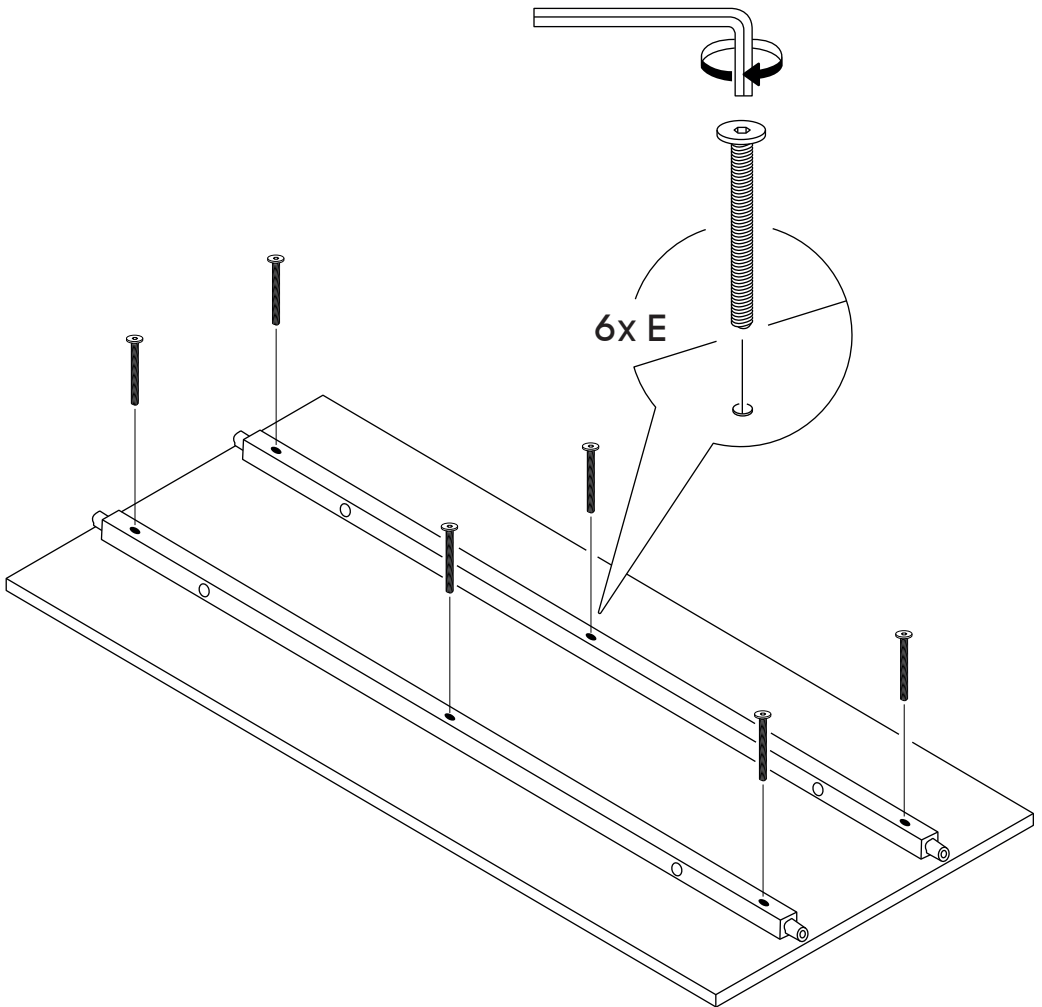
**1x G**  
M10 Alloy Key



**1x H**  
M8 Alloy Key

## Step 1

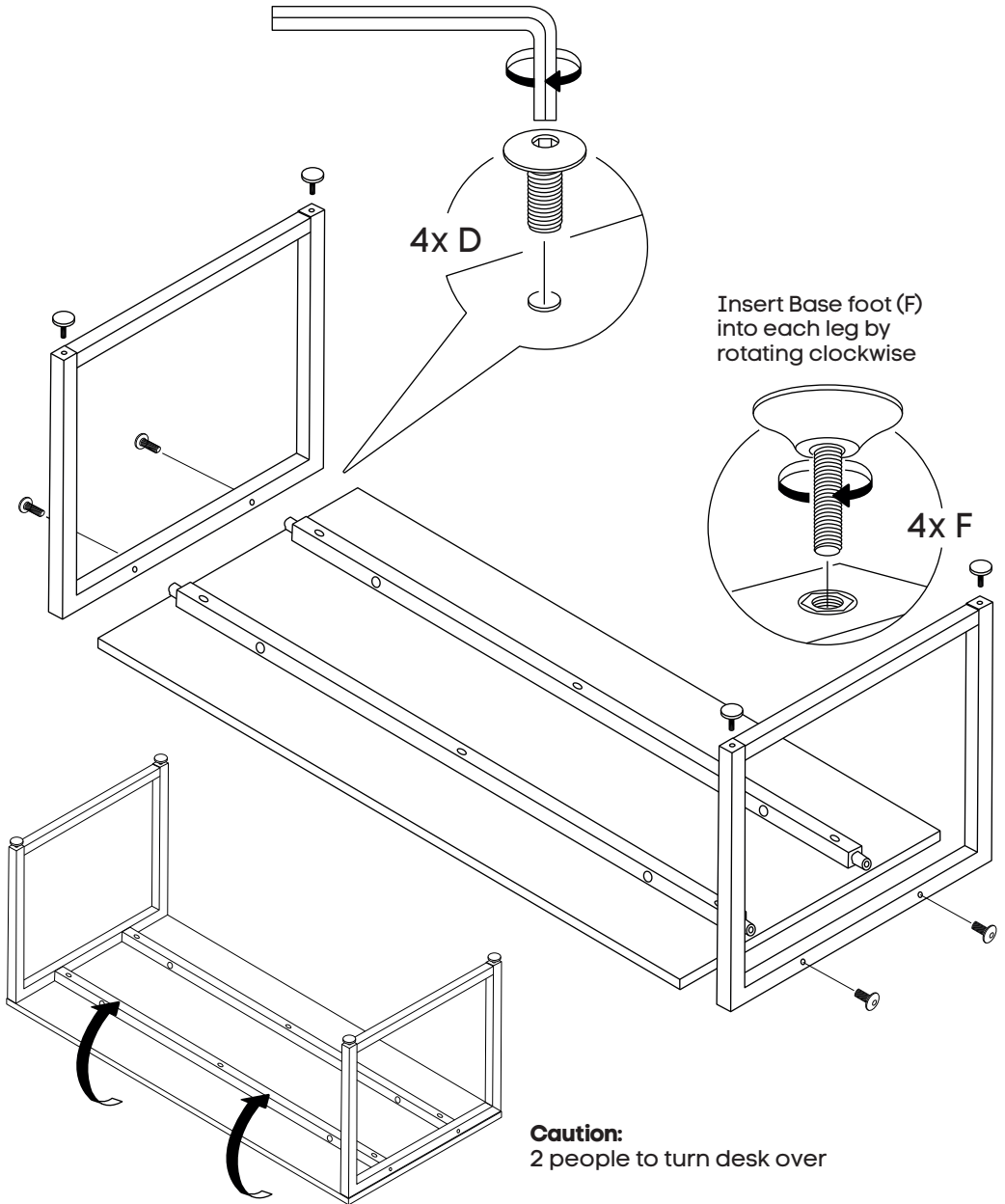
Connect Beams (C) to underside of Desk top (A) by tightening screws (E) as below:



**Tip:** Please handle all the items with care, and always place items upside down on a soft flat surface. Be careful not to scratch the desk top whilst the unit is upside down. Please use two people to turn the desk over to avoid any injury.

## Step 2

Connect legs (B) to Beams (C)  
by tightening screws (D).



**Caution:**  
2 people to turn desk over