

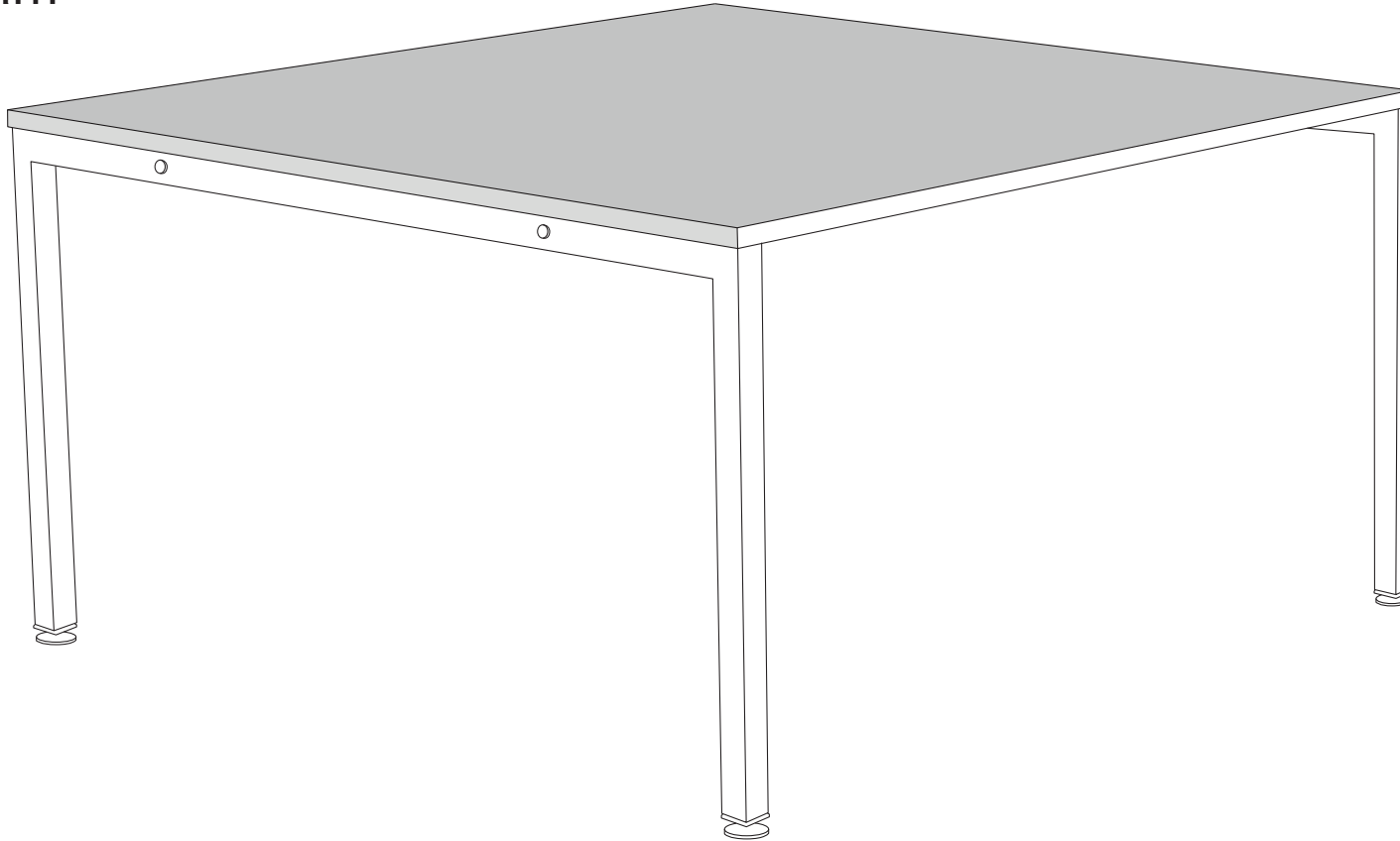
**ASSEMBLY INSTRUCTIONS**  
**Litewall**  
**Boardroom Table**

Size: 1200mm


[www.jasonl.com.au](http://www.jasonl.com.au)

**Need help!**  
Call us on  
**1300 527 665**

**jason.l**  
your office furniture mate



**Tools Required:** Power screwdriver; Allen key set.

 2 persons required for installation

# ASSEMBLY INSTRUCTIONS

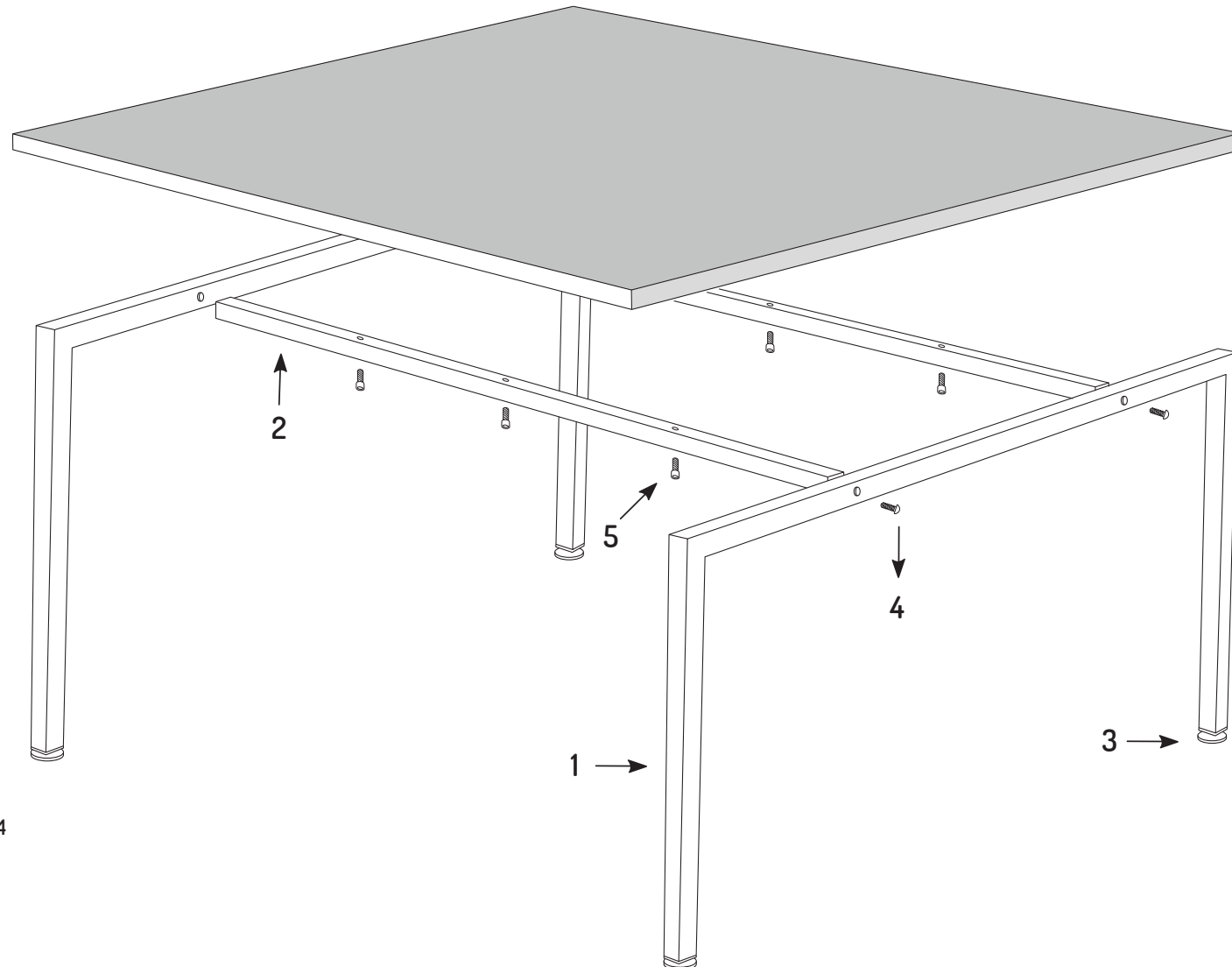
## Litewall Boardroom Table

Size: 1200mm

[www.jasonl.com.au](http://www.jasonl.com.au)

**Need help!**  
Call us on  
**1300 527 665**

**jason.l**  
your office furniture mate



### COMPONENTS

- 1 Legs x2
- 2 Beams x2
- 3 Feet x4

### SCREWS

- 4 M8x25mm Dome Head x4
- 5 M6x40mm Hex Head x6
- 6 M6x35mm Hex Head x4

# ASSEMBLY INSTRUCTIONS

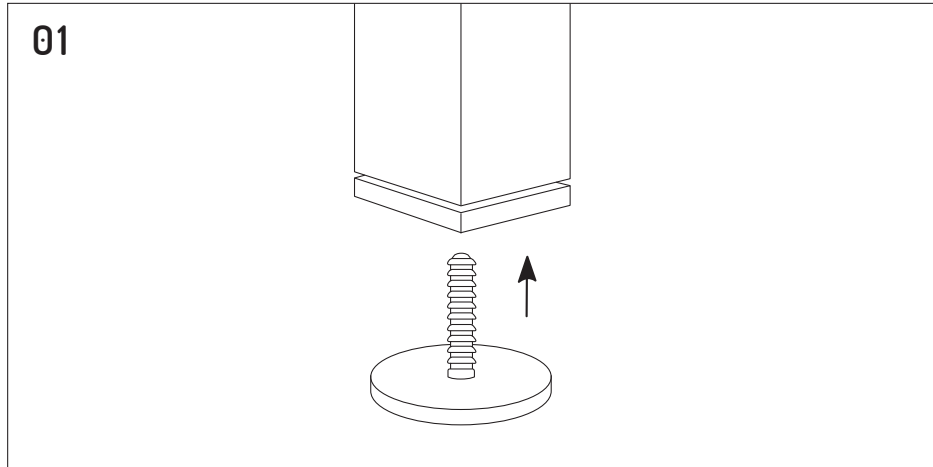
## Litewall Boardroom Table

Size: 1200mm

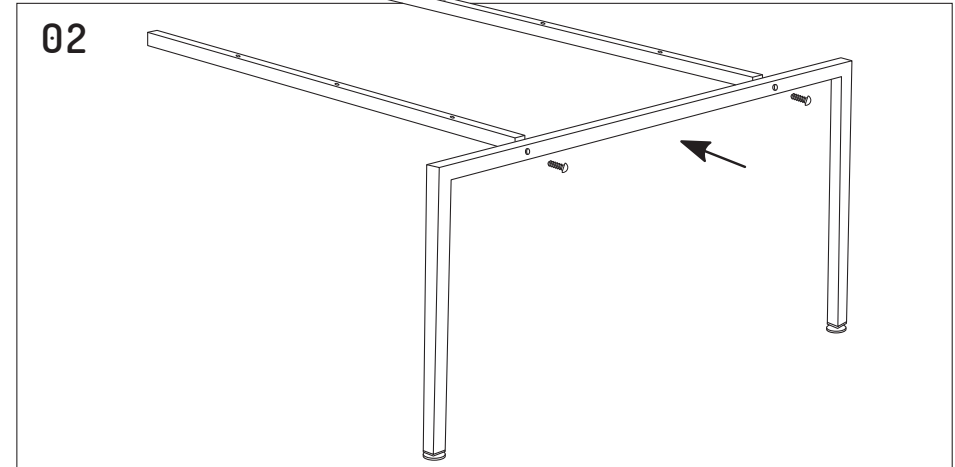
[www.jasonl.com.au](http://www.jasonl.com.au)

**Need help!**  
Call us on  
**1300 527 665**

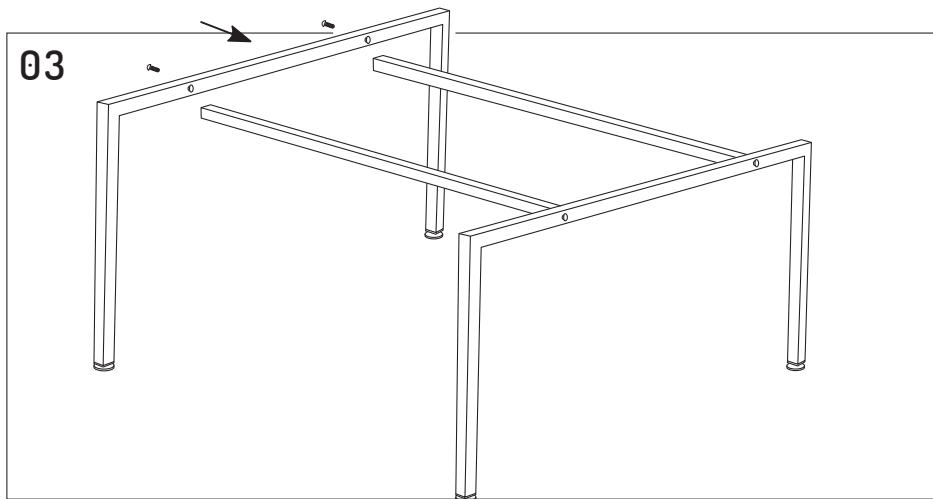
**jason.l**  
your office furniture mate



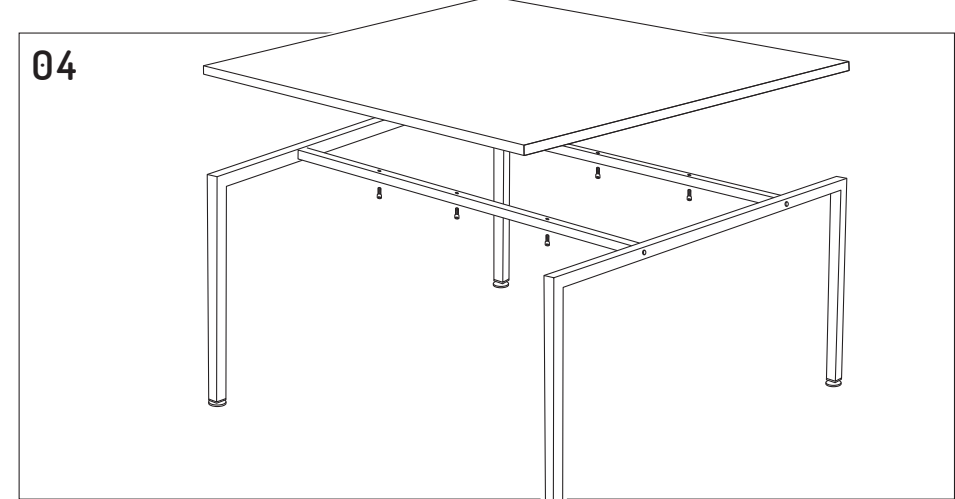
Screw the feet to each leg.



Attach 2x beams to legs using M8x25mm dome head screw.



Attach the remaining leg. Connector to frame using x2 M8x25mm dome head screw.



Attach tops to frame by tightening M6x40mm through beams & into tops.