

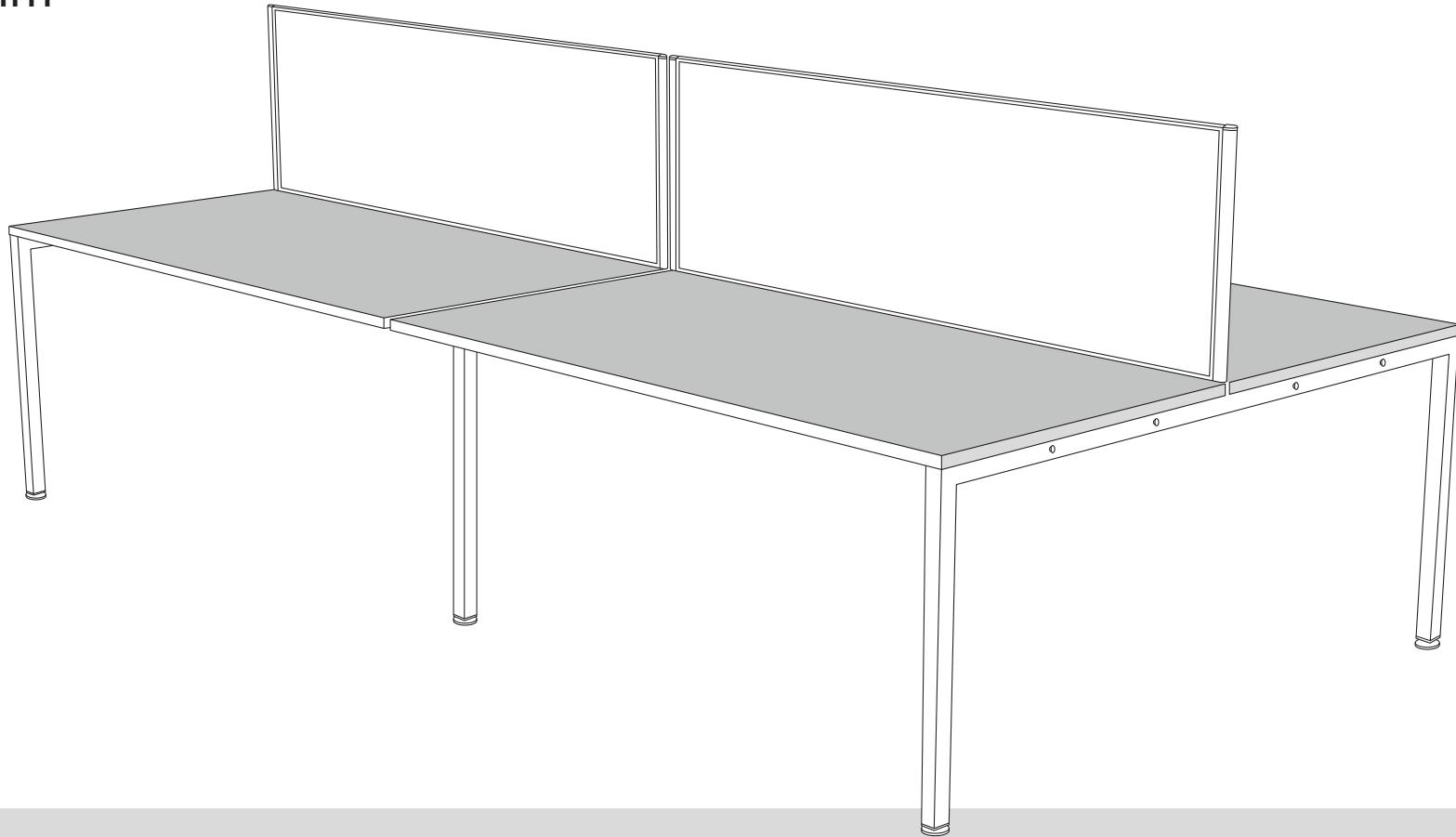
**ASSEMBLY INSTRUCTIONS**  
**Litewall Workstation**  
**4 Person**

Size: 1800mm


[www.jasonl.com.au](http://www.jasonl.com.au)

**Need help!**  
Call us on  
**1300 527 665**

**jason.l**  
your office furniture mate



**Tools Required:** Power screwdriver; Allen key set.

 2 persons required for installation

# ASSEMBLY INSTRUCTIONS

## Litewall Workstation

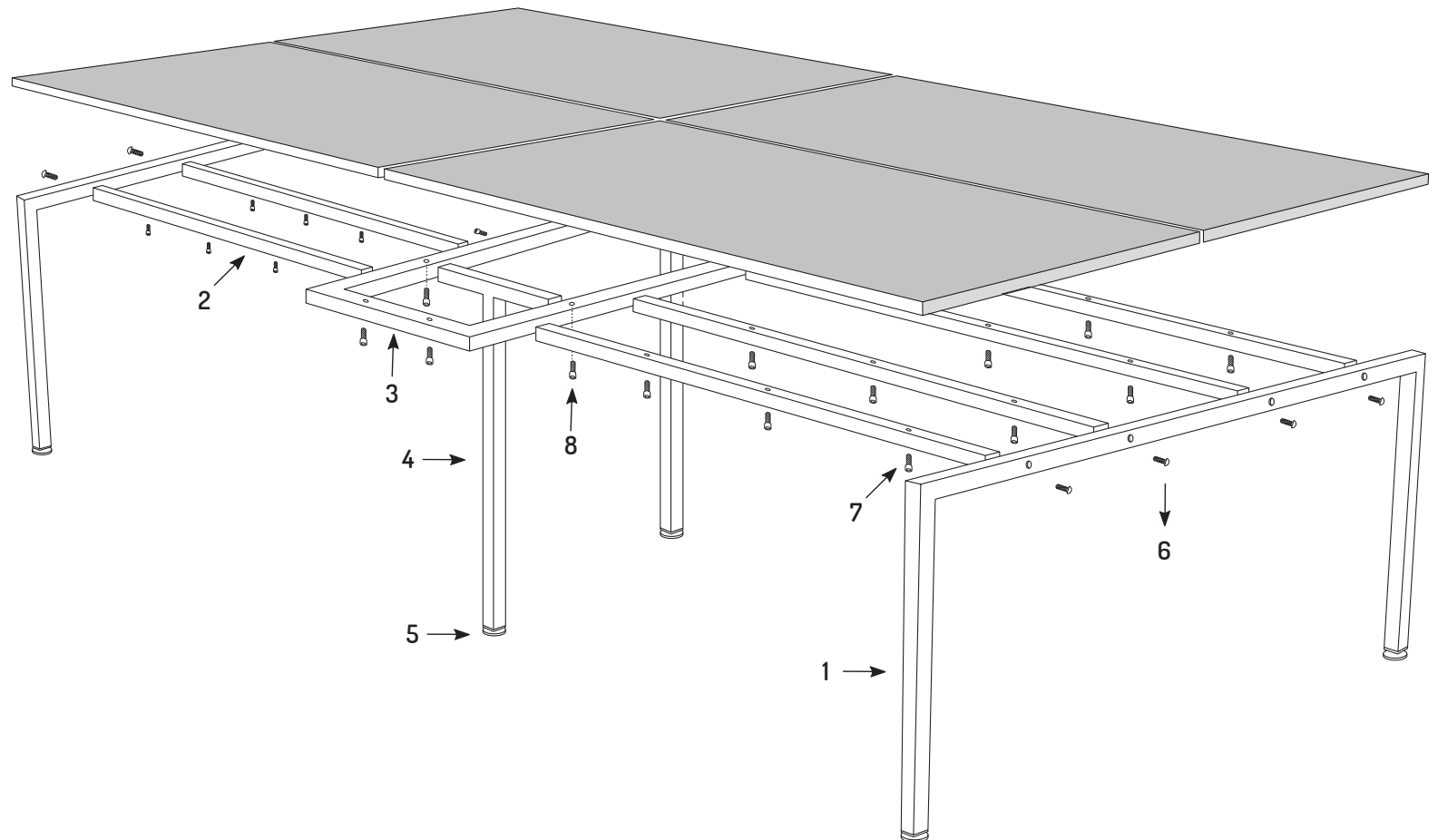
### 4 Person

Size: 1800mm

[www.jasonl.com.au](http://www.jasonl.com.au)

**Need help!**  
Call us on  
**1300 527 665**

**jason.l**  
your office furniture mate



#### COMPONENTS

- 1 Legs x2 (1625mm)
- 2 Beams x8 (1600mm)
- 3 Connector Frame x1
- 4 Connector Frame T Legs x2
- 5 Feet x6

#### SCREWS

- 6 M8x25mm Dome Head x16
- 7 M6x40mm Hex Head x32
- 8 M6x35mm Hex Head x4

# ASSEMBLY INSTRUCTIONS

## Litewall Workstation

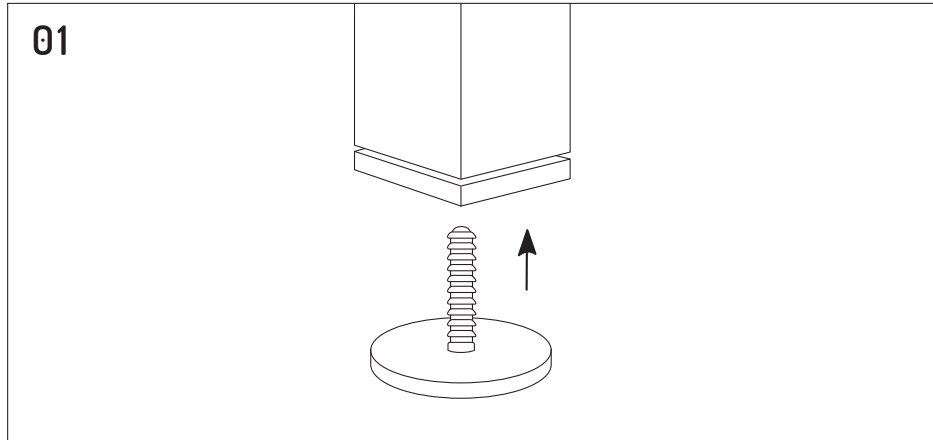
### 4 Person

Size: 1800mm

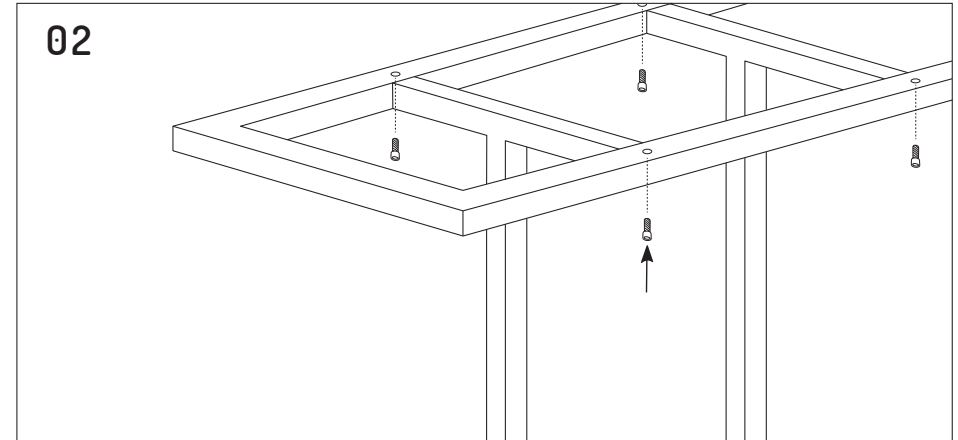
[www.jasonl.com.au](http://www.jasonl.com.au)

**Need help!**  
Call us on  
**1300 527 665**

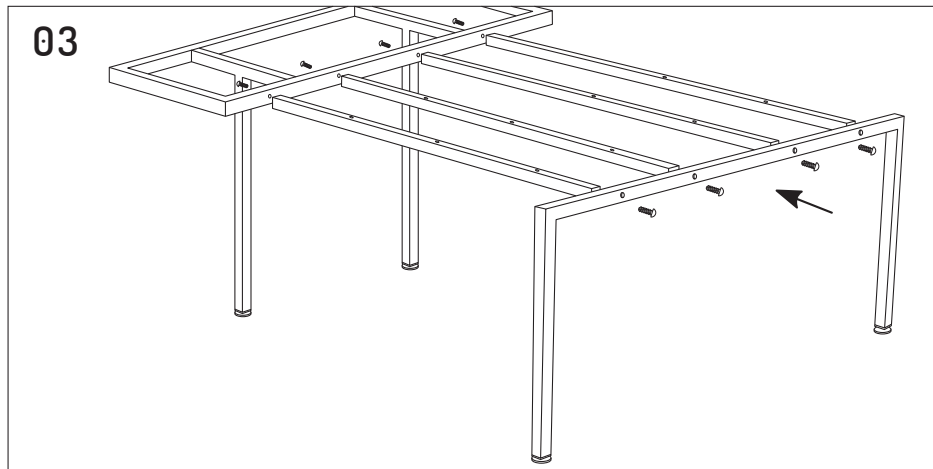
**jason.l**  
your office furniture mate



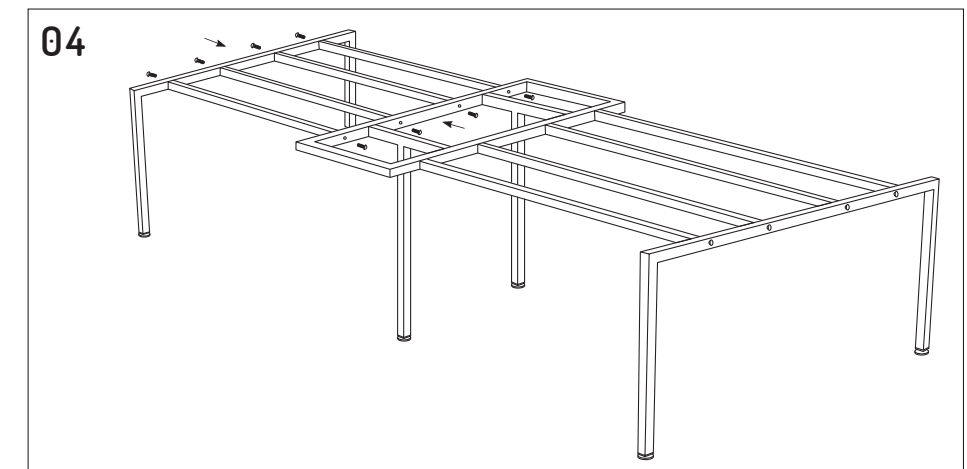
Screw the feet to each leg and T leg.



Assemble connector frames. Attach the 2 T legs to the double connector frame using M6x35mm hex screws x4.



Attach 4x 1600mm beams to 1625mm leg using M8x25mm dome head screw. Attach connector frame from diagram 2 to 4 beams using M8x25mm dome head screws.



Attach the remaining 4x 1600mm beams to the connector frame using M8x25mm dome head screw.

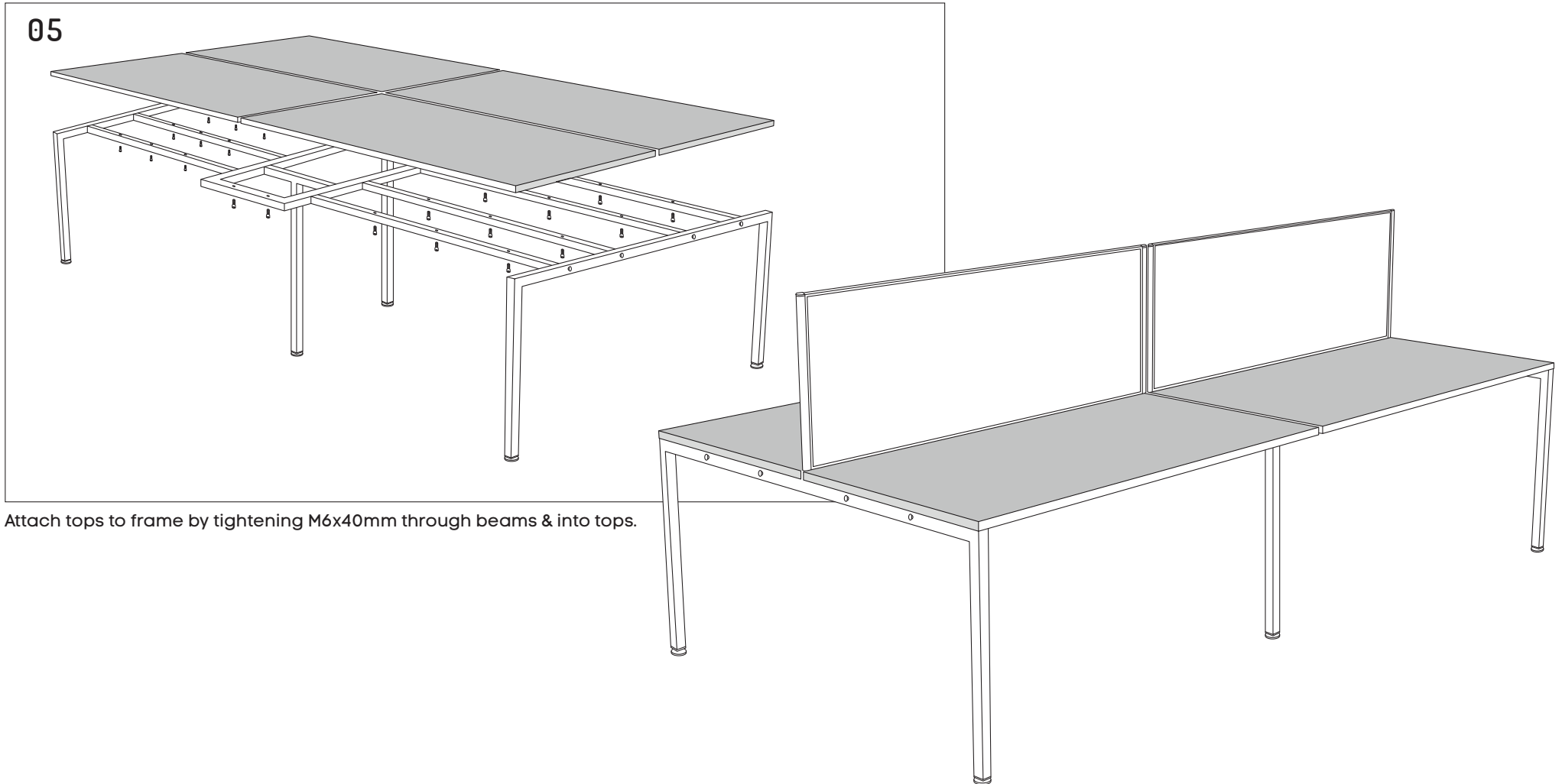
**ASSEMBLY INSTRUCTIONS**  
**Litewall Workstation**  
**4 Person**

Size: 1800mm

[www.jasonl.com.au](http://www.jasonl.com.au)

**Need help!**  
Call us on  
**1300 527 665**

**jason.l**  
your office furniture mate



Attach tops to frame by tightening M6x40mm through beams & into tops.