

ASSEMBLY INSTRUCTIONS

**Klass Activity
Sliding Door Credenza**

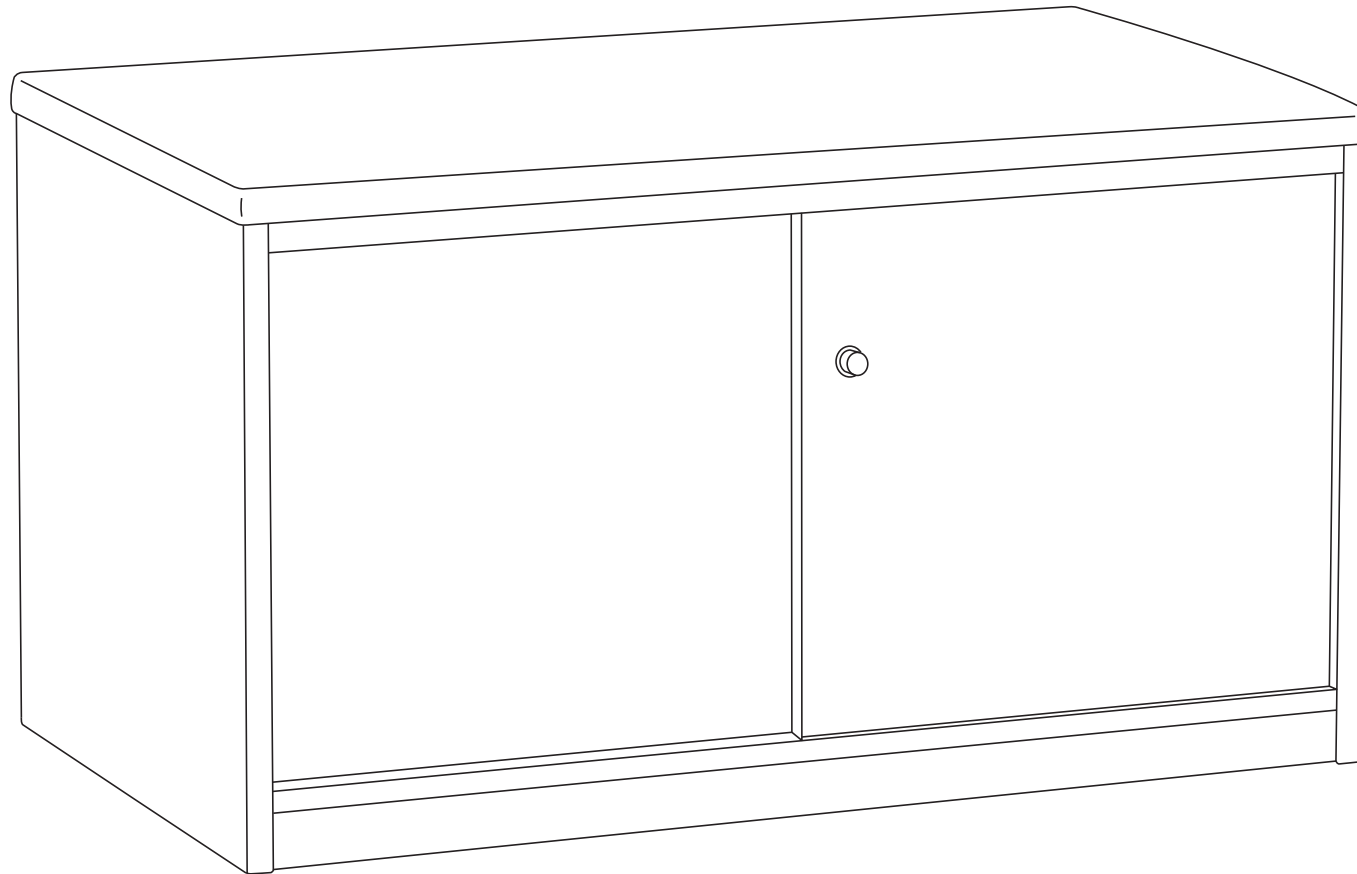
Size (mm): 800L x 500D

www.jasonl.com.au

Need help!

Call us on
1300 527 665

jason.l
your office furniture mate



ASSEMBLY INSTRUCTIONS

Klass Activity Sliding Door Credenza

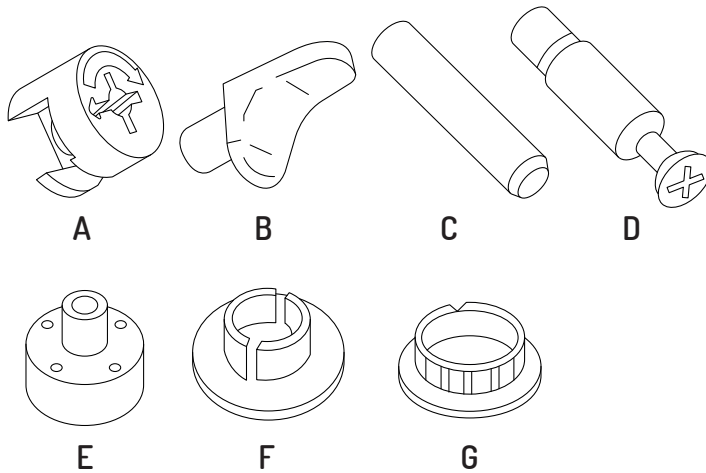
Size (mm): 800L x 500D

www.jasonl.com.au

Need help!

Call us on
1300 527 665

jason.l
your office furniture mate

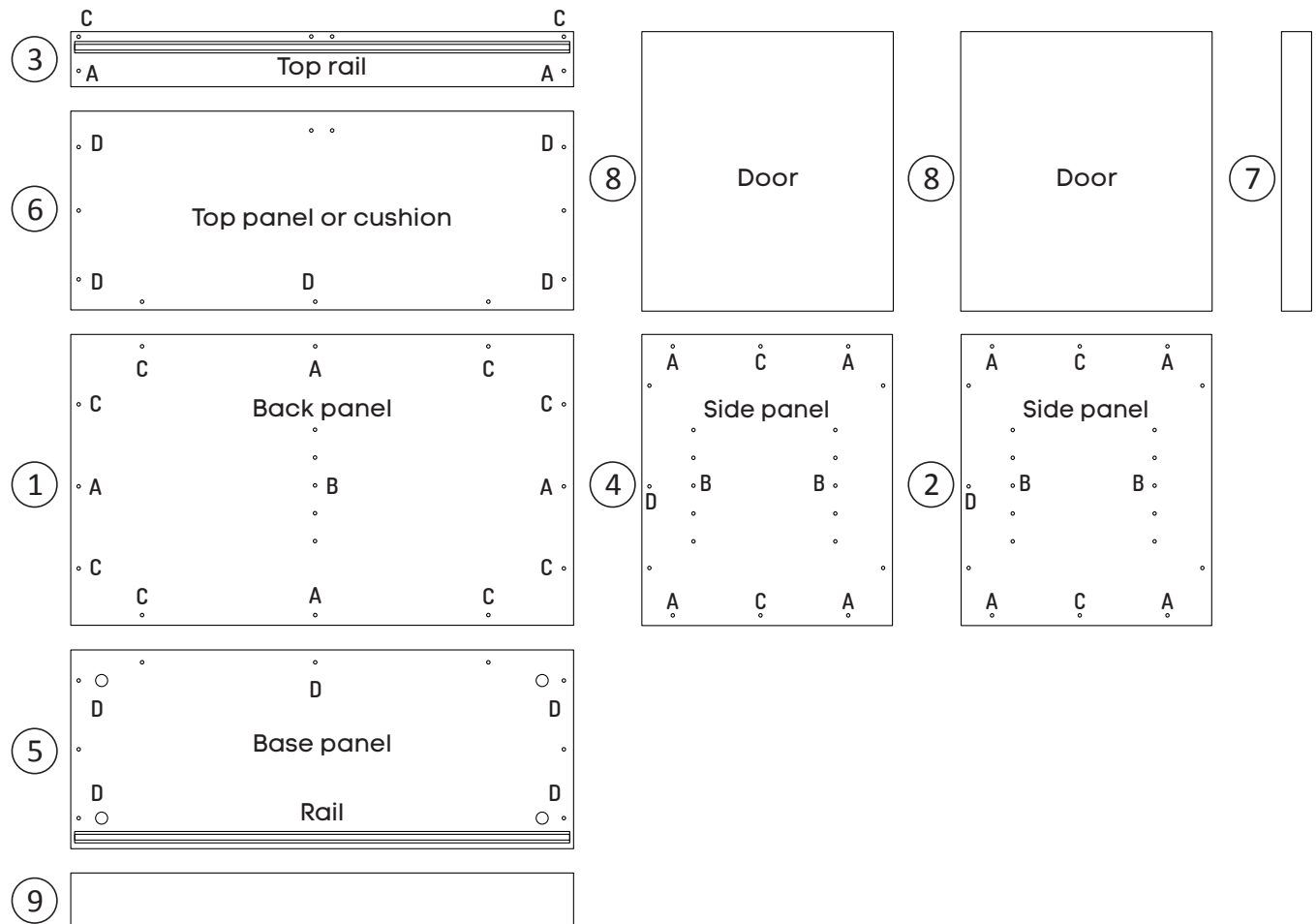


COMPONENTS

- A Minifix Housing x14
- B Collar Stud x5
- C Rubber Wood Dowel M8 x40mm x14
- D Minifix Connecting Bolt x14
- E Adjustable Leveller N2880 x5
- F Leveller N2880 Cap x5
- G Deco Cap x5

PANELS

- 1 Back Panel x1
- 2 Side Panel R x1
- 3 Top Rail
- 4 Side Panel L x1
- 5 Base Panel x1
- 6 Top Panel x1
- 7 Central table x1
- 8 Door x2
- 9 Kick panel x1



ASSEMBLY INSTRUCTIONS
Klass Activity
Sliding Door Credenza

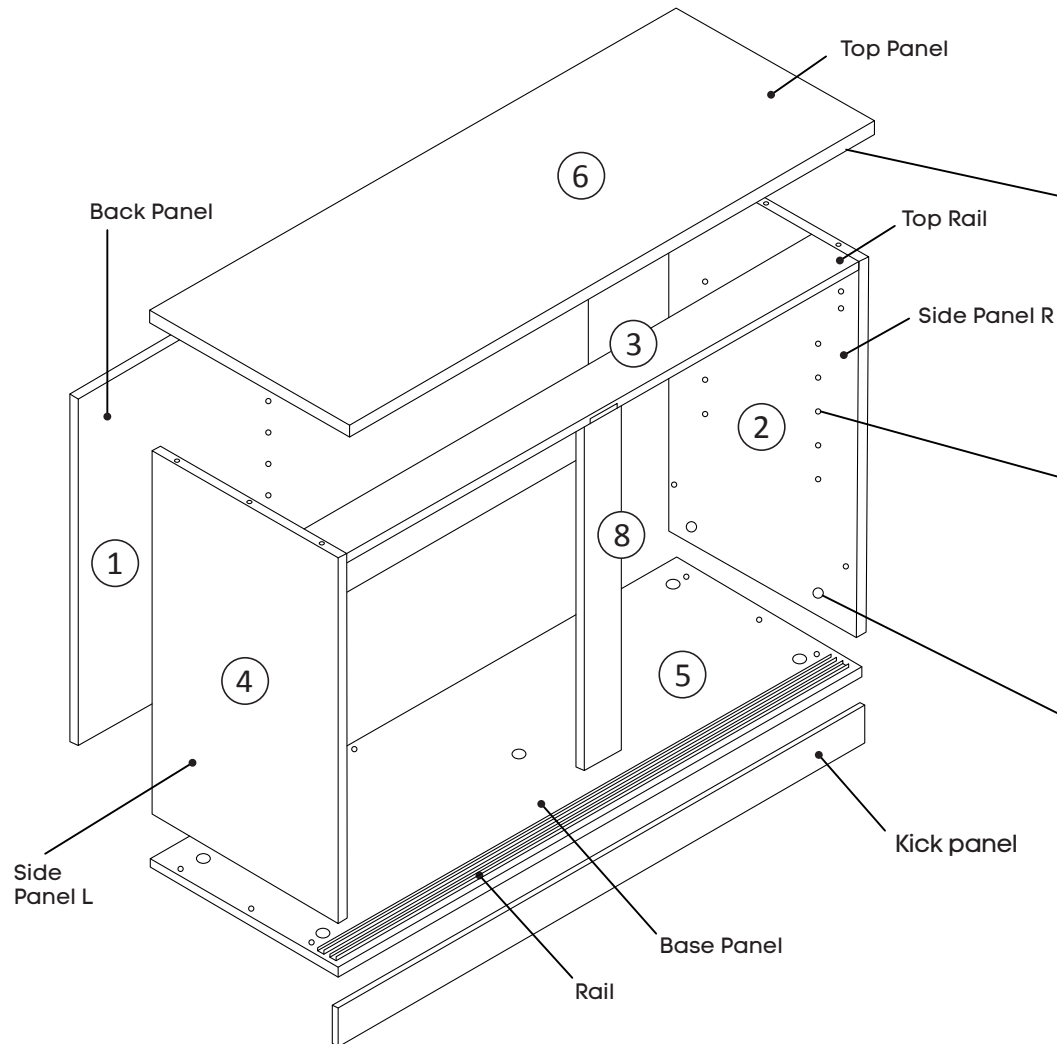
Size (mm): 800L x 500D

www.jasonl.com.au

Need help!

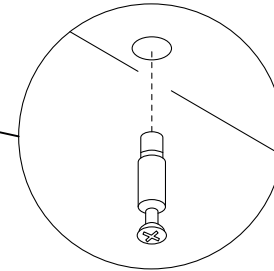
Call us on
1300 527 665

jason.l
 your office furniture mate

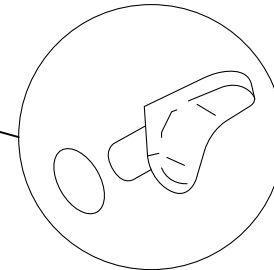


Function of Klux Cam
 Turn for locking
 75° Min - 195° Max

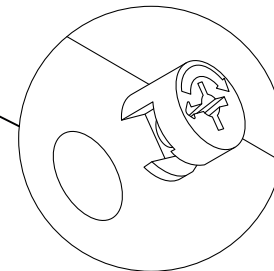
Make sure the arrow is pointing upwards before inserting into the panel's hole.



Tighten Minifix Connecting into Boring Hole.



Insert collar stud into boring holes, at the height you want shelves.



Insert Minifix Housing into Boring Hole.

Assemble all panels in the following order.

ASSEMBLY INSTRUCTIONS

Klass Activity Sliding Door Credenza

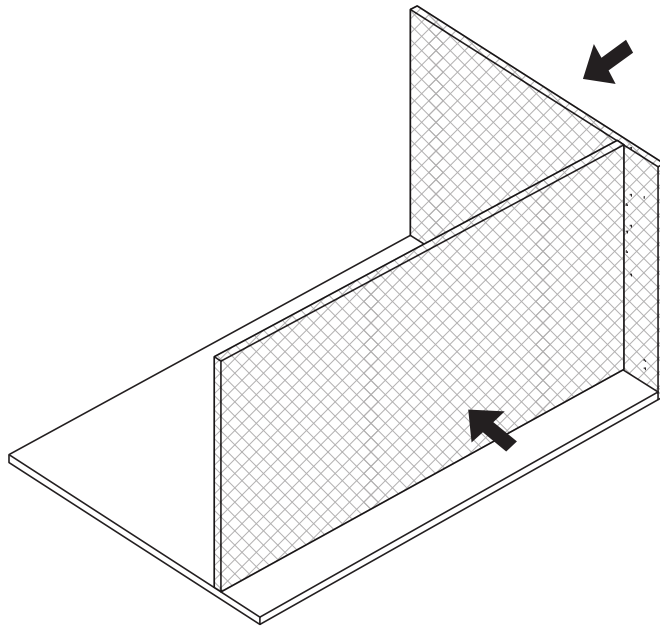
Size (mm): 800L x 500D

www.jasonl.com.au

Need help!

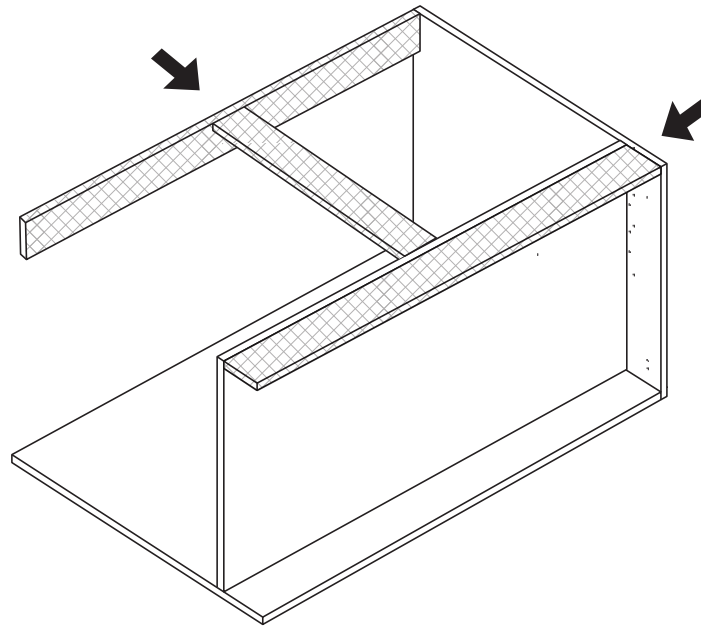
Call us on
1300 527 665

jason.l
your office furniture mate



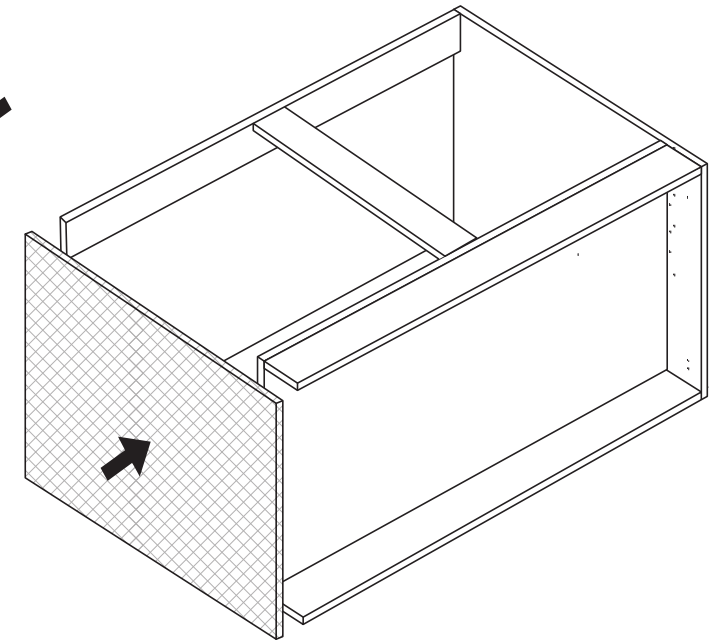
STEP 01

Lay back panel (1) on ground
Add one side panel (4) and base panel (5)



STEP 02

Add top rail (3), centre panel (7)
and kick panel (9)



STEP 03

Add side panel (4)

ASSEMBLY INSTRUCTIONS

Klass Activity Sliding Door Credenza

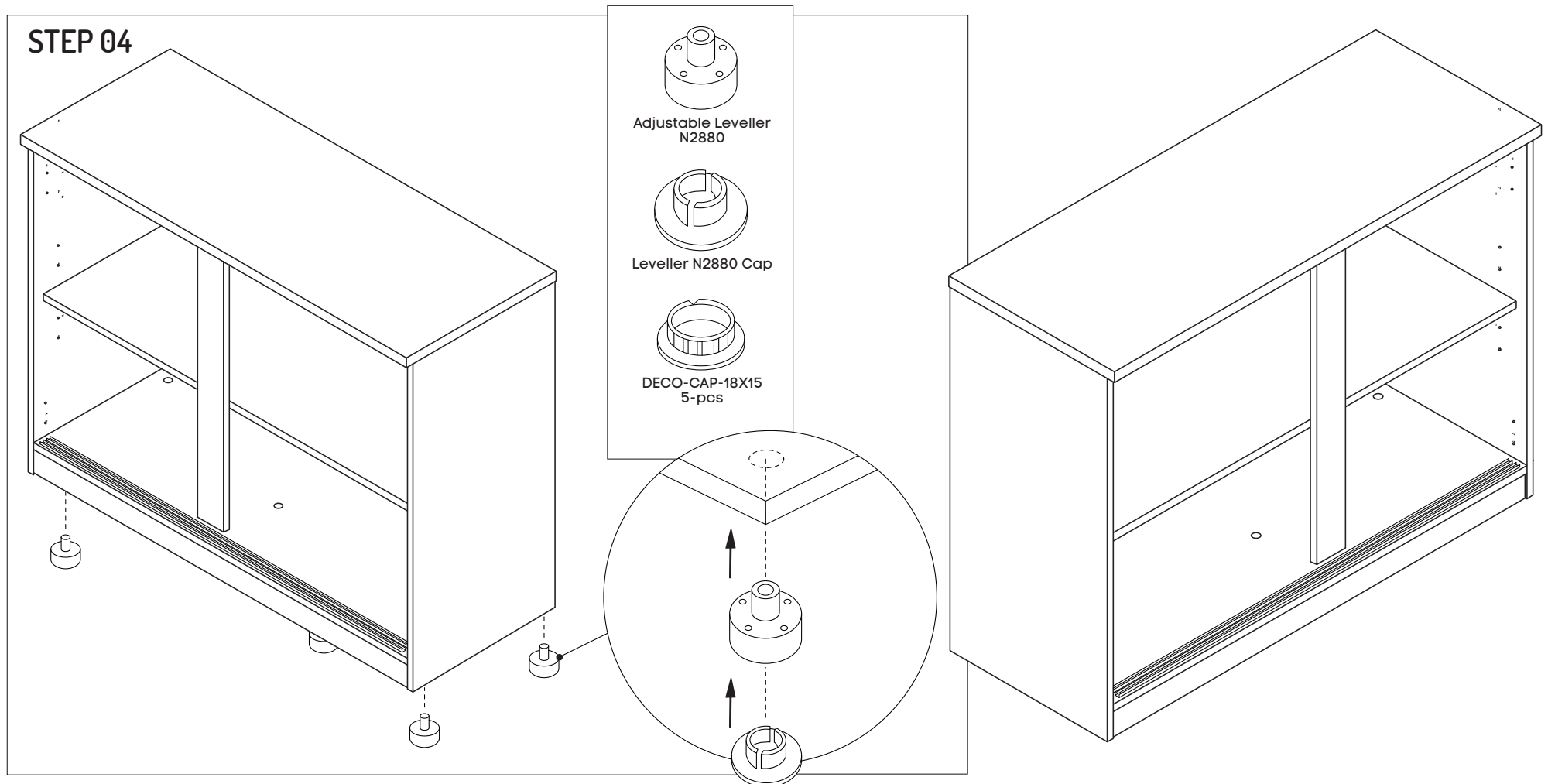
Size (mm): 800L x 500D

www.jasonl.com.au

Need help!

Call us on
1300 527 665

jason.l
your office furniture mate



Tighten leveller into boring hole and screw the cap.
Use DECO-CAP-18X15 to seal holes on base panel.

ASSEMBLY INSTRUCTIONS

Klass Activity Sliding Door Credenza

Size (mm): 800L x 500D

www.jasonl.com.au

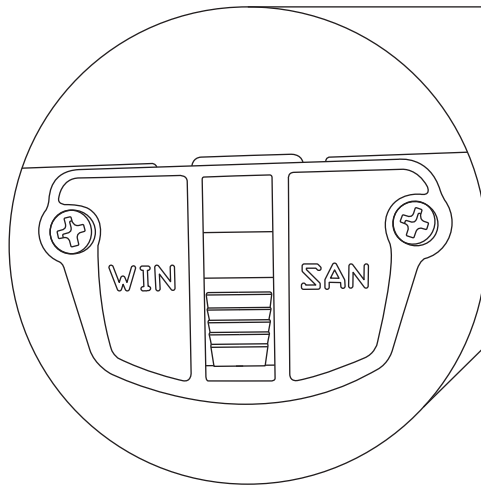
Need help!

Call us on
1300 527 665

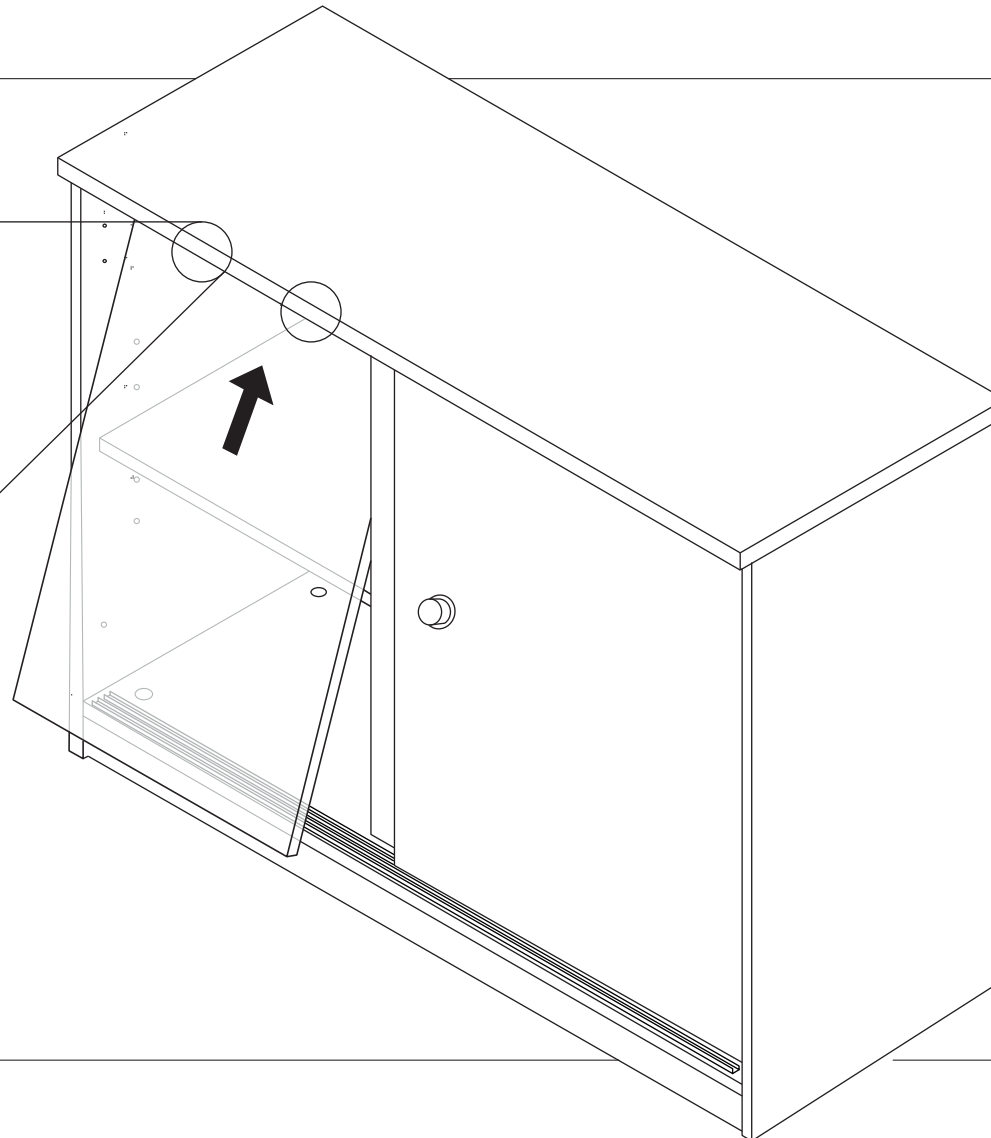
jason.l
your office furniture mate



STEP 05



**Assembled MFC
sliding doors**



Install two sliding mechanisms per door

ASSEMBLY INSTRUCTIONS

Klass Activity Sliding Door Credenza

Size (mm): 800L x 500D

www.jasonl.com.au

Need help!

Call us on
1300 527 665

jason.l
your office furniture mate



Assembling multiple modules

Add single top
over all modules

NOTE:

single wooden tops
can be replaced
with **cushions**



Top view

Tighten Minifix
Connecting into
Boring Holes

