

ASSEMBLY INSTRUCTIONS

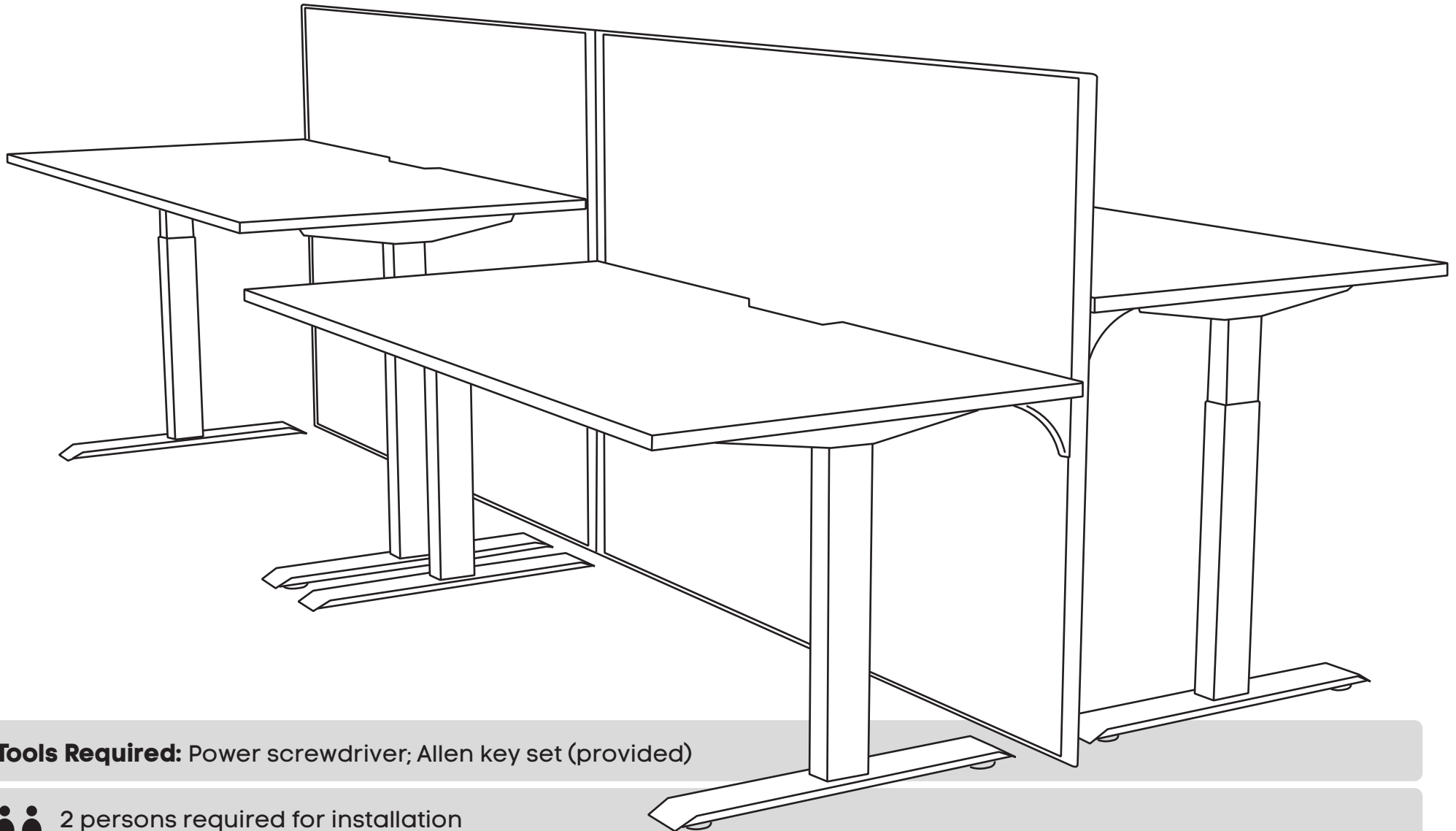
www.jasonl.com.au

Just Right 4 Person Workstation


Need help!

Call us on
1300 527 665

jason.l
your office furniture mate



Tools Required: Power screwdriver; Allen key set (provided)

 2 persons required for installation

Just Right 4 Person Workstation

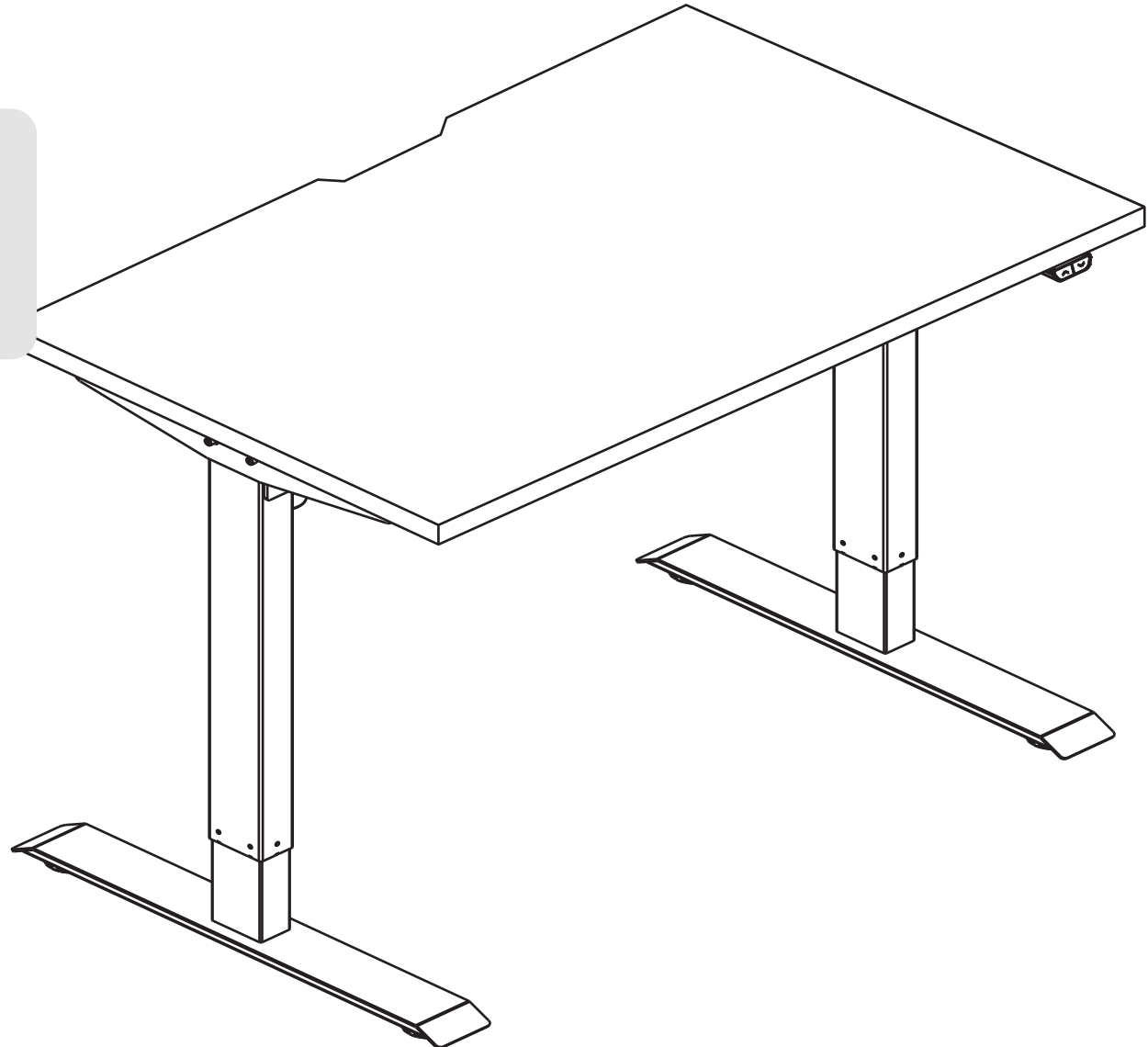
Need help!

Call us on
1300 527 665

jason.l
your office furniture mate



The first step is to assemble the desks individually. The following steps contain in detail the parts and processes to follow, for each of them.



Just Right 4 Person Workstation

Need help!

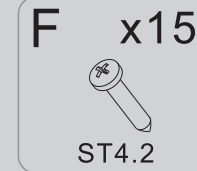
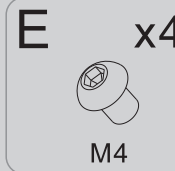
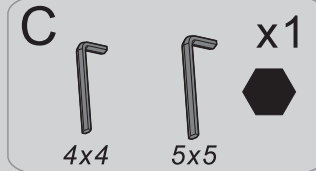
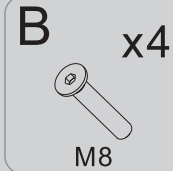
Call us on
1300 527 665

jason.l
your office furniture mate

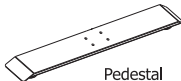
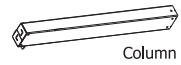
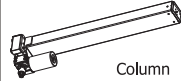
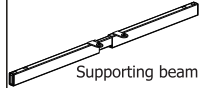

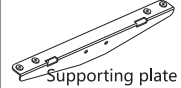
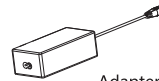
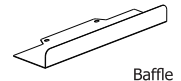
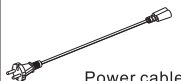



Accessory list

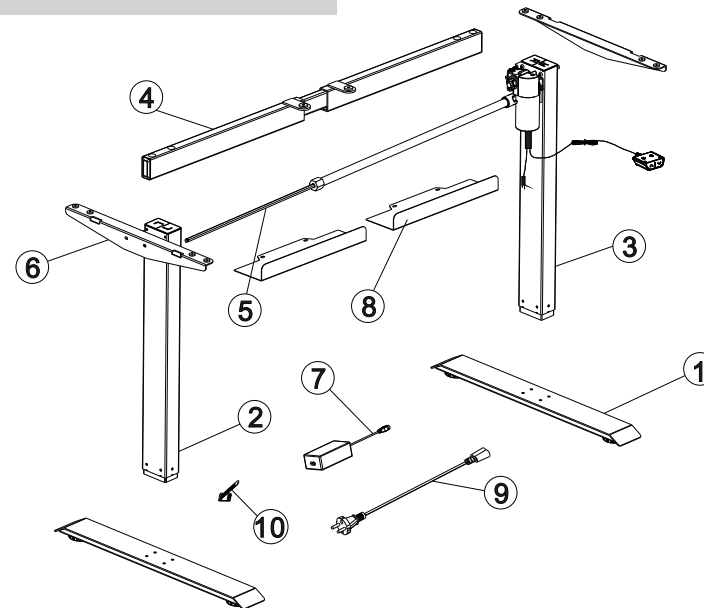
Attention: The drawings below are only for reference which might be slightly different from the actual object, please in kind prevail. Any tools missing or installation problems, please contact the customer service firstly.



Part list

No.	Part	Qty	No.	Part	Qty	No.	Part	Qty
①	 Pedestal	2	②	 Column	1	③	 Column	1
④	 Supporting beam	1	⑤	 Transmission rod	1	⑥	 Supporting plate	2
⑦	 Adapter	1	⑧	 Baffle	2	⑨	 Power cable	1
⑩	 Cable tie	4						

Installation instruction



Just Right 4 Person Workstation

Need help!

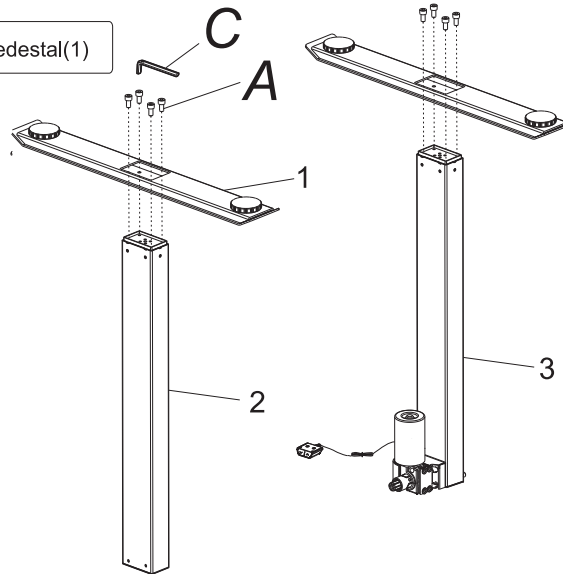
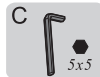
Call us on
1300 527 665

jason.l
your office furniture mate



STEP 1

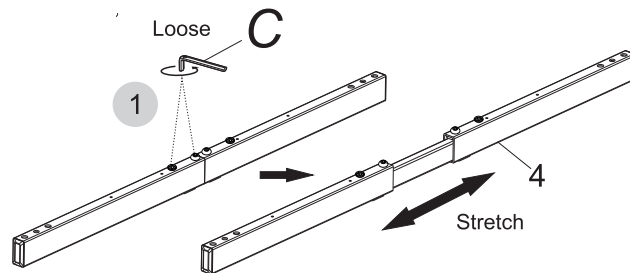
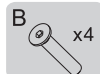
Install Pedestal(1)



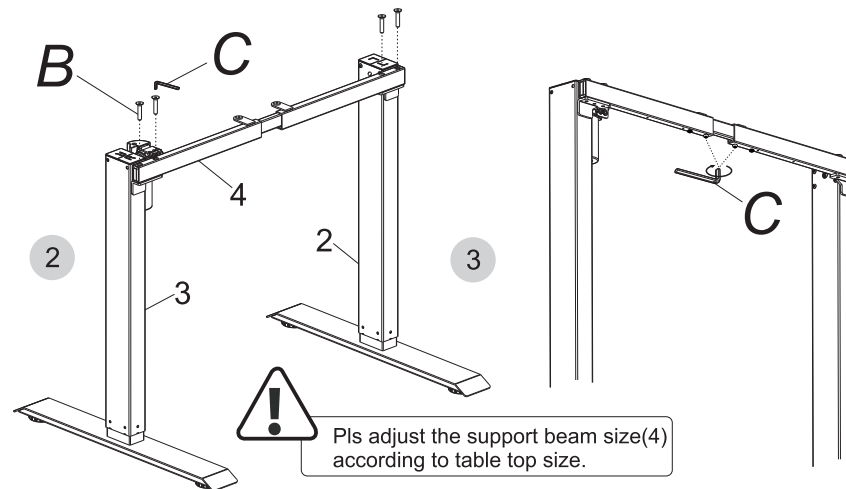
Install (1) & (2)(3) together, use 5*5 wrench(C) to tighten the screws(A).

STEP 2

Install Supporting beam(4)



Loose screws on (4) with wrench 4x4(C), then stretch supporting beam



! Pls adjust the support beam size(4) according to table top size.

Install supporting beam on the column (2)(3), tighten screw (B) with wrench 5x5 (C)

Tighten screws on supporting beam with wrench 4x4(C)

Just Right 4 Person Workstation

Need help!

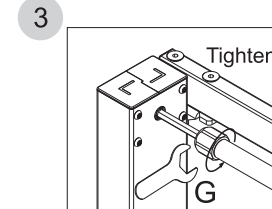
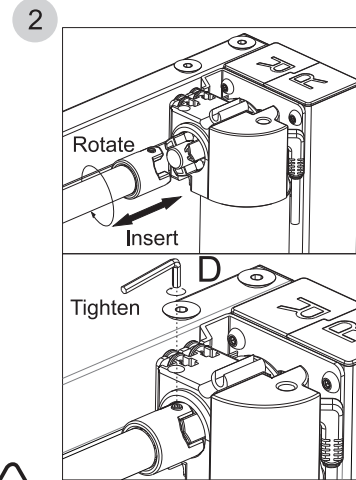
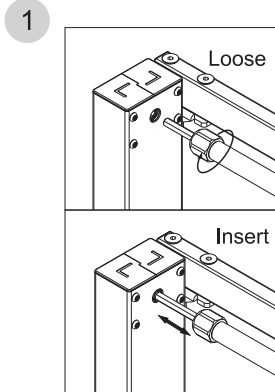
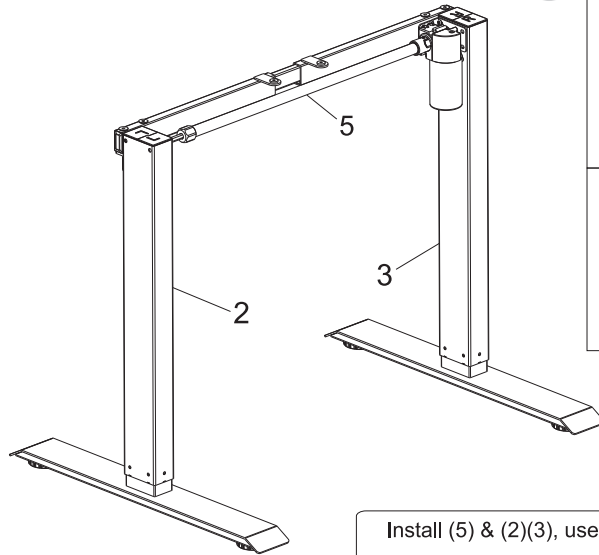
Call us on
1300 527 665

jason.l
your office furniture mate



STEP3

Install transmission rod(5)

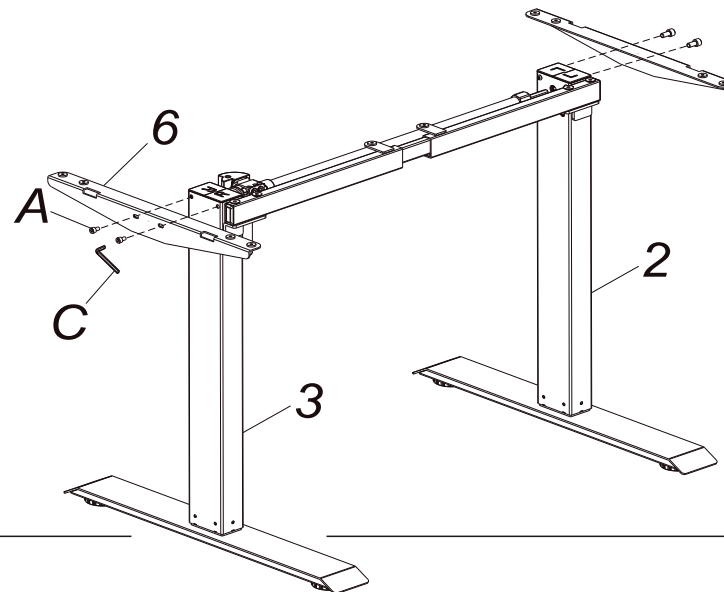


Rotation angle does not exceed one third of the circle

Install (5) & (2)(3), use 2.5*2.5 wrench(D) to tighten(G).

STEP4

Install supporting plate(6)



Install(6)&(2)(3), use 5*5 wrench(C) to tighten the screws(A).

Just Right 4 Person Workstation

Need help!
Call us on
1300 527 665

jason.l
your office furniture mate

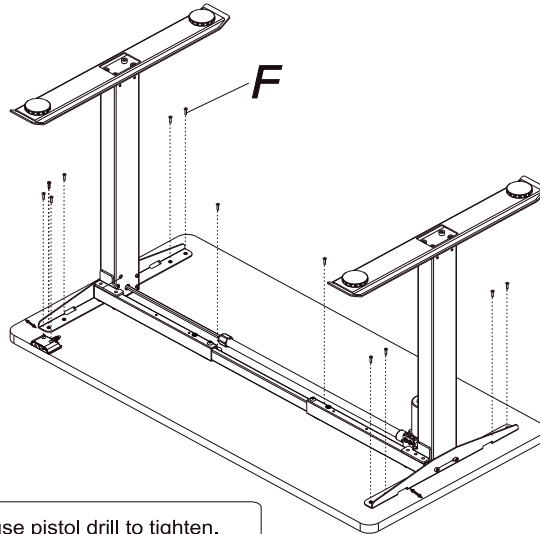


STEP 5

Install desktop

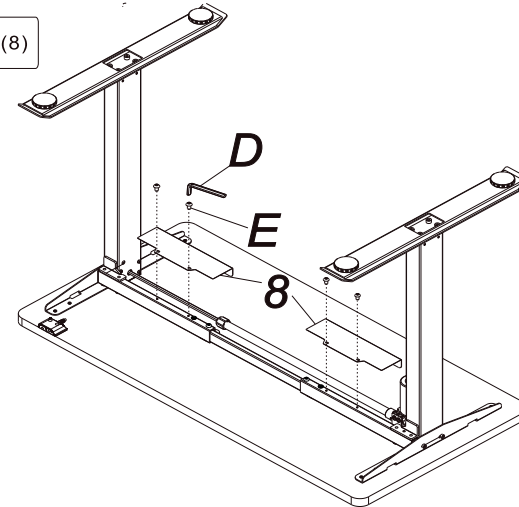
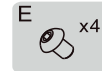


Distance $\leq 200\text{mm}$



Install desktop with screw(F), use pistol drill to tighten.

Install baffle(8)

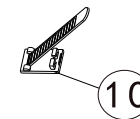
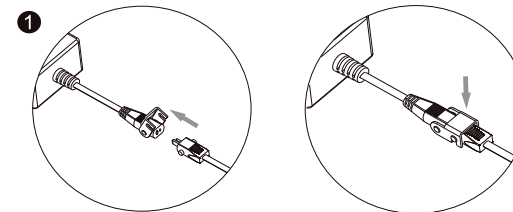
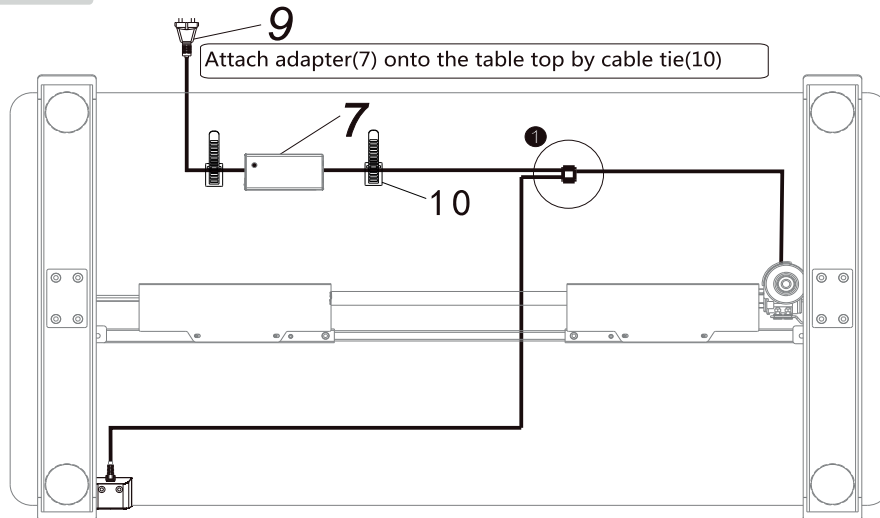


Install(8), use 2.5*2.5 wrench(D) to tighten the screws(E).

STEP 6

Connect All the Cables onto the Adapter (7)

Attach adapter(7) onto the table top by cable tie(10)



Use the cable tie(10) to fix all the connection cables on the desk to keep it clean.

Just Right 4 Person Workstation

Need help!
Call us on
1300 527 665

jason.l
your office furniture mate



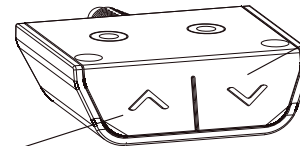
How to use handswitch

●	“▲”	Adjust the desk upwards
●	“▼”	Adjust the desk downwards

Instruction

Press the UP button or DOWN button to lift or lower the height of desk surface.

Button



DOWN button

UP button



Attention

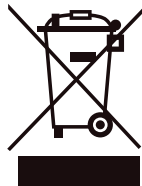
1. Power supply: AC100V~240V,50/60HZ
2. Service Environment: 0~40℃
3. Unplug the power plug before cleaning, wipe the dust on surface with slight wet dishcloth when cleaning, be careful not to let the drops into the internal parts, not loose the connector.
4. The electric box contains electronic components, metals, plastics, wires etc., so dispose of it in accordance with each country's environmental legislation, not the general household waste.
5. Check carefully to ensure correct and complete assembly before using.
6. Be familiar with all functions and program settings of the product before first use.
7. Children are forbidden to play on the product because of unforeseen action when playing, so any dangerous consequences caused by this improper action will not be on
8. Slight noise caused by the V-ribbed belt or brake system due to structure will not have any effect on the use of the equipment.
9. Corrosive or abrasive materials are forbidden to clean the equipment. Must ensure that the cleaner used will not pollute the environment.
10. Please make sure there is no hazard sources in your operating environment. e.g., do not litter the tools around. Always be careful to treat the packaging materials in order to avoid any possible danger, e.g. plastic bag may lead to choking hazard to children.
11. Keep the original package of the equipment if necessary in case of the future use in transportation.
12. The following tips will help you detected and eliminate the common fault and error. If the fault you met is not listed below, please contact with your supplier. Only the manufacturer and professionals are capable for investigating and correcting those fault and error.

Common fault treatment

The following tips will help you detected and eliminate the common fault and error. If the fault you met is not listed below, please contact with your supplier. Only the manufacturer and professionals are capable for investigating and correcting those fault and error.

Fault phenomenon	Method
No response while long pressing down arrow after connected with a power supply	1. Check if all the cables be connected well 2. Contact your supplier or dealer
The desktop could not be lifted	1. Check if overloaded, max loading: 70kg; 2. Contact your supplier or dealer
Overwork (Duty cycle: Max 2min on/30min OFF)	1. Restart it after suspend for 30mins for the working time is too long 2. Contact your supplier or dealer

Waste disposal



This marking indicates that this product should not be disposed with other household wastes. To prevent possible harm to the environment or human health from uncontrolled waste disposal, recycle it responsibly to promote the sustainable reuse of material resources. To return your used device, please use the return and collection systems or contact the retailer where the product was purchased. They can take this product for environmental safe recycling.

Just Right 4 Person Workstation

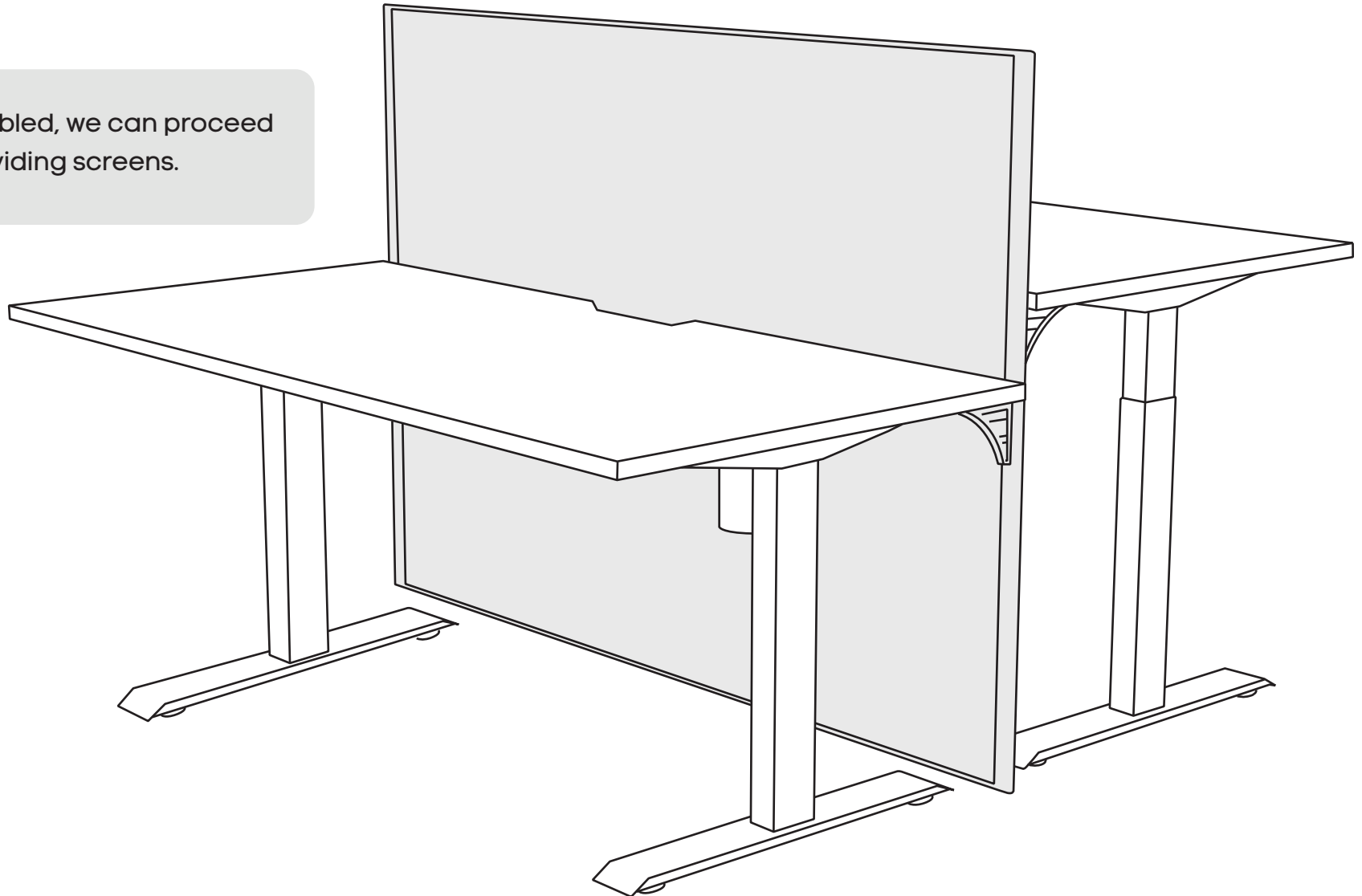
Need help!

Call us on
1300 527 665

jason.l
your office furniture mate



With the desks assembled, we can proceed now to include the dividing screens.



Just Right 4 Person Workstation

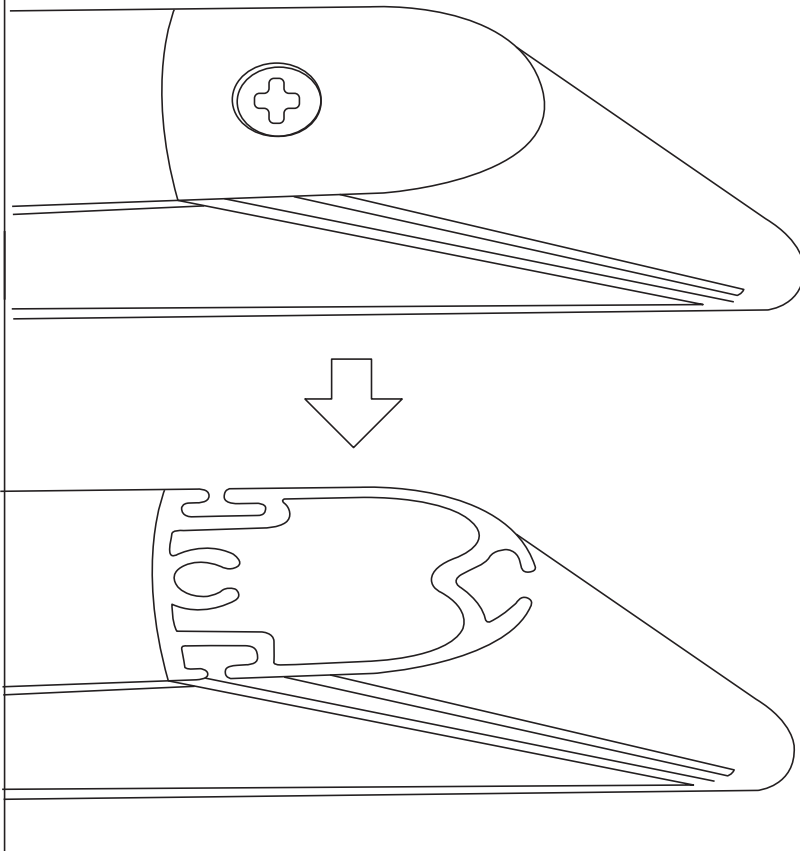
Need help!

Call us on
1300 527 665

jason.l
your office furniture mate

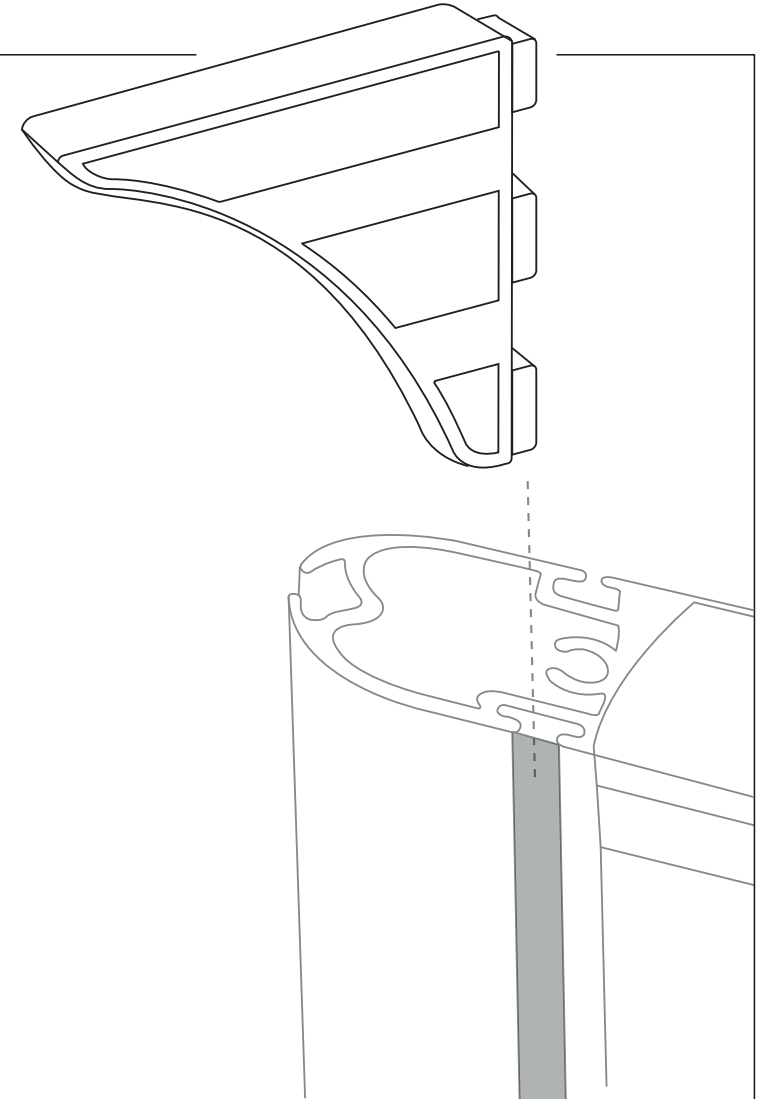


STEP 01



Take off the end cap using allen key 3mm.

STEP 02



Slide in post adjustable L bracket from the side groove, and put the top end caps back to its place using 3mm allen key.

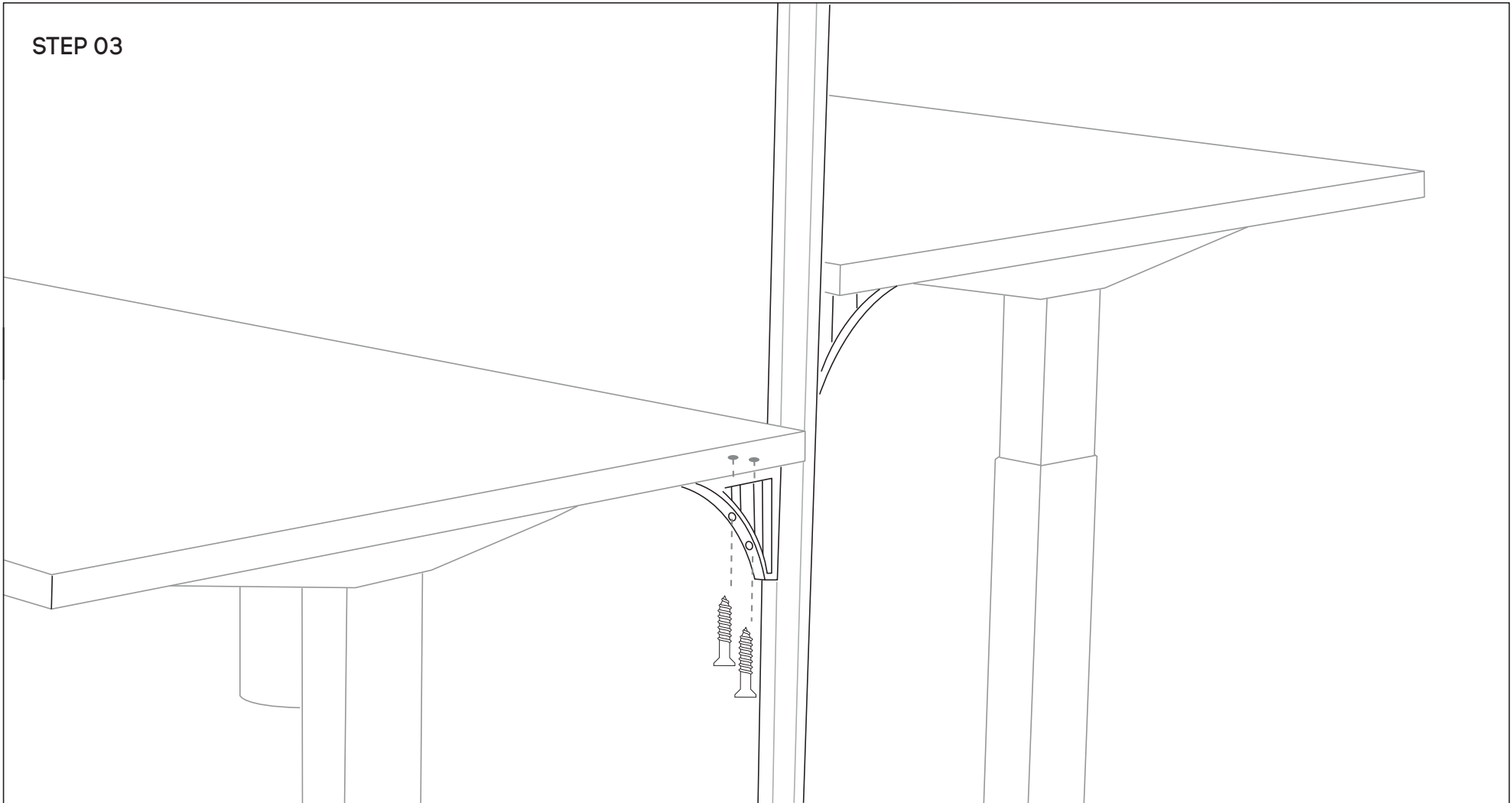
Just Right 4 Person Workstation

Need help!

Call us on
1300 527 665



STEP 03



Please secure the L Bracket underneath the desks by drilling the 2 screws into the underneath Top (screws are provided).

Note: Please do not drill the screws into the screen post.