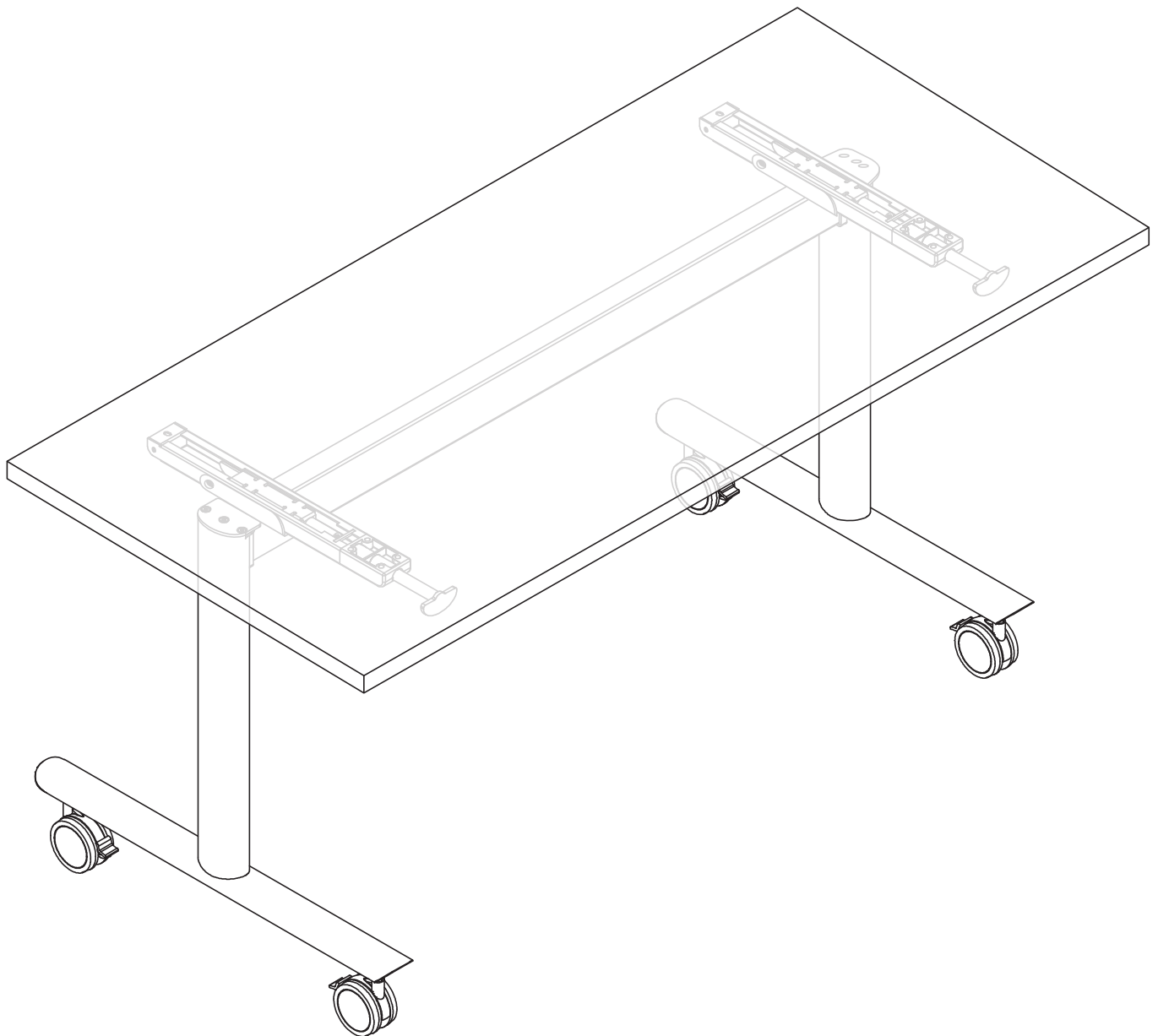
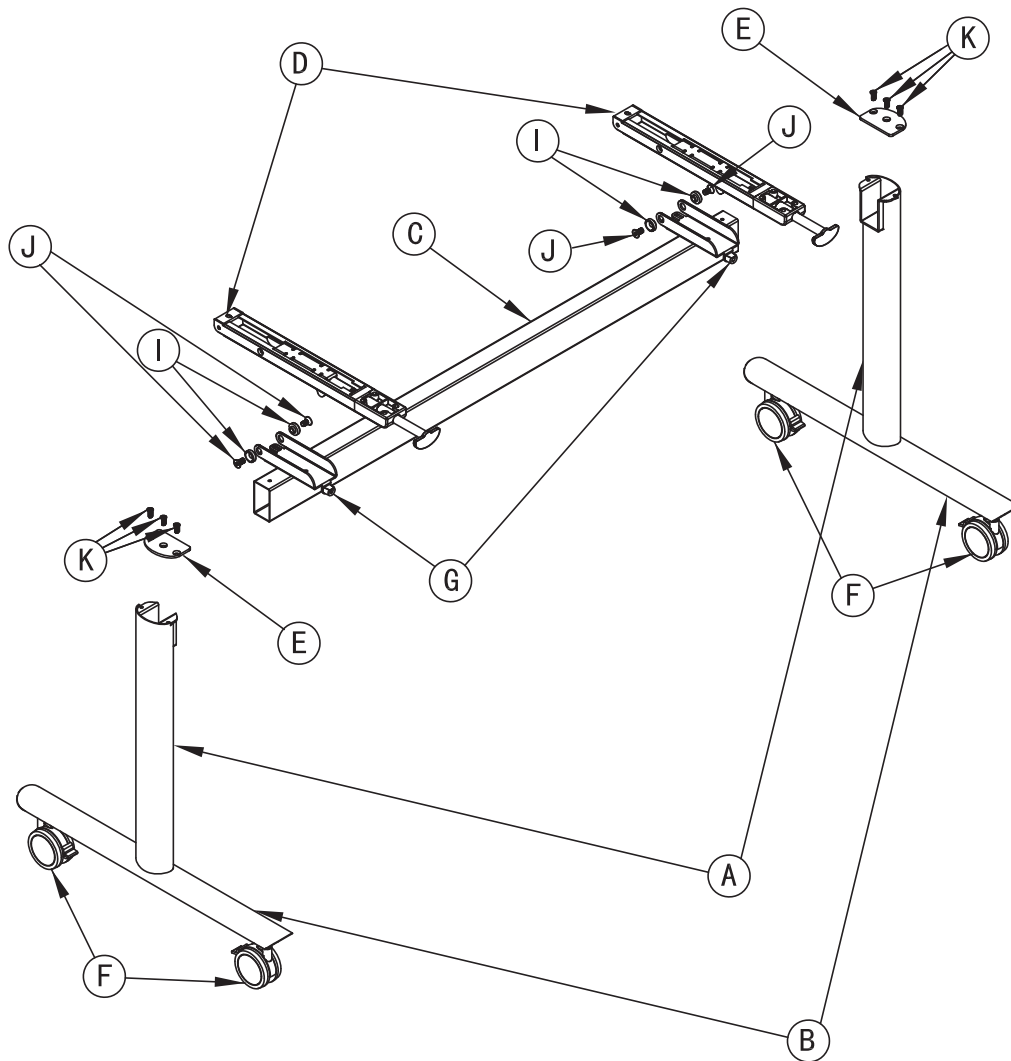


Solana Flip table



Solana Flip table

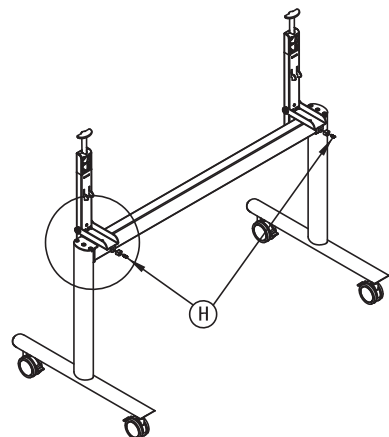
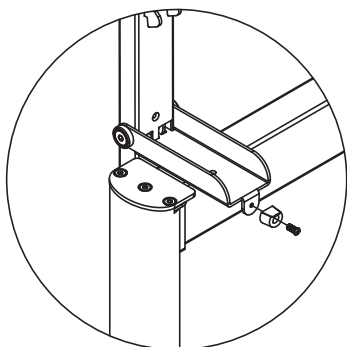
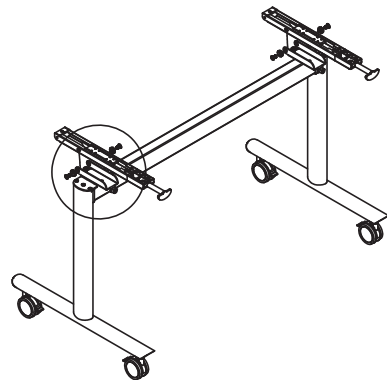
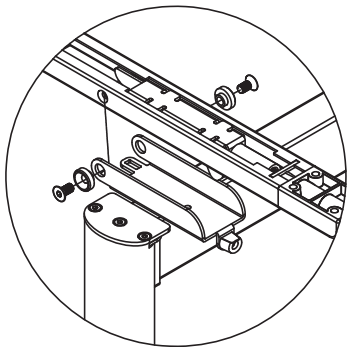
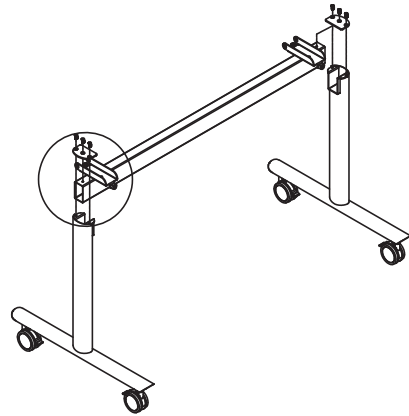
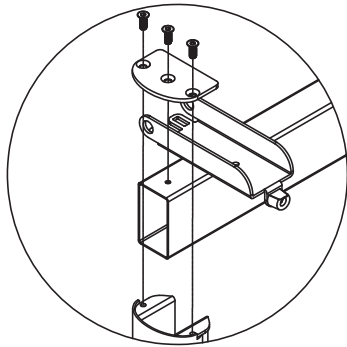
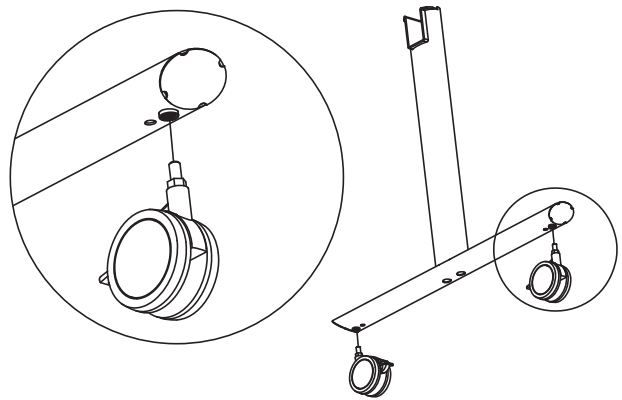
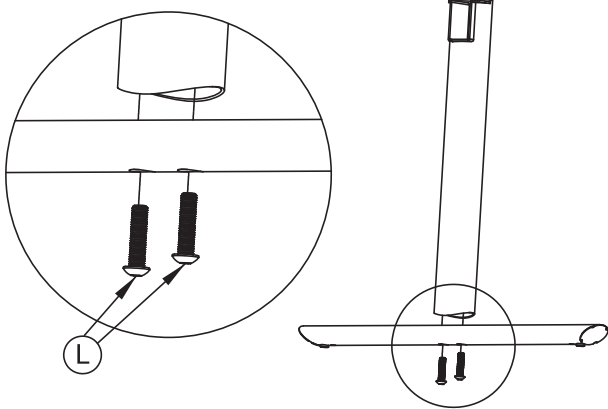


**TO DRILL
ON THE
TABLETOP**

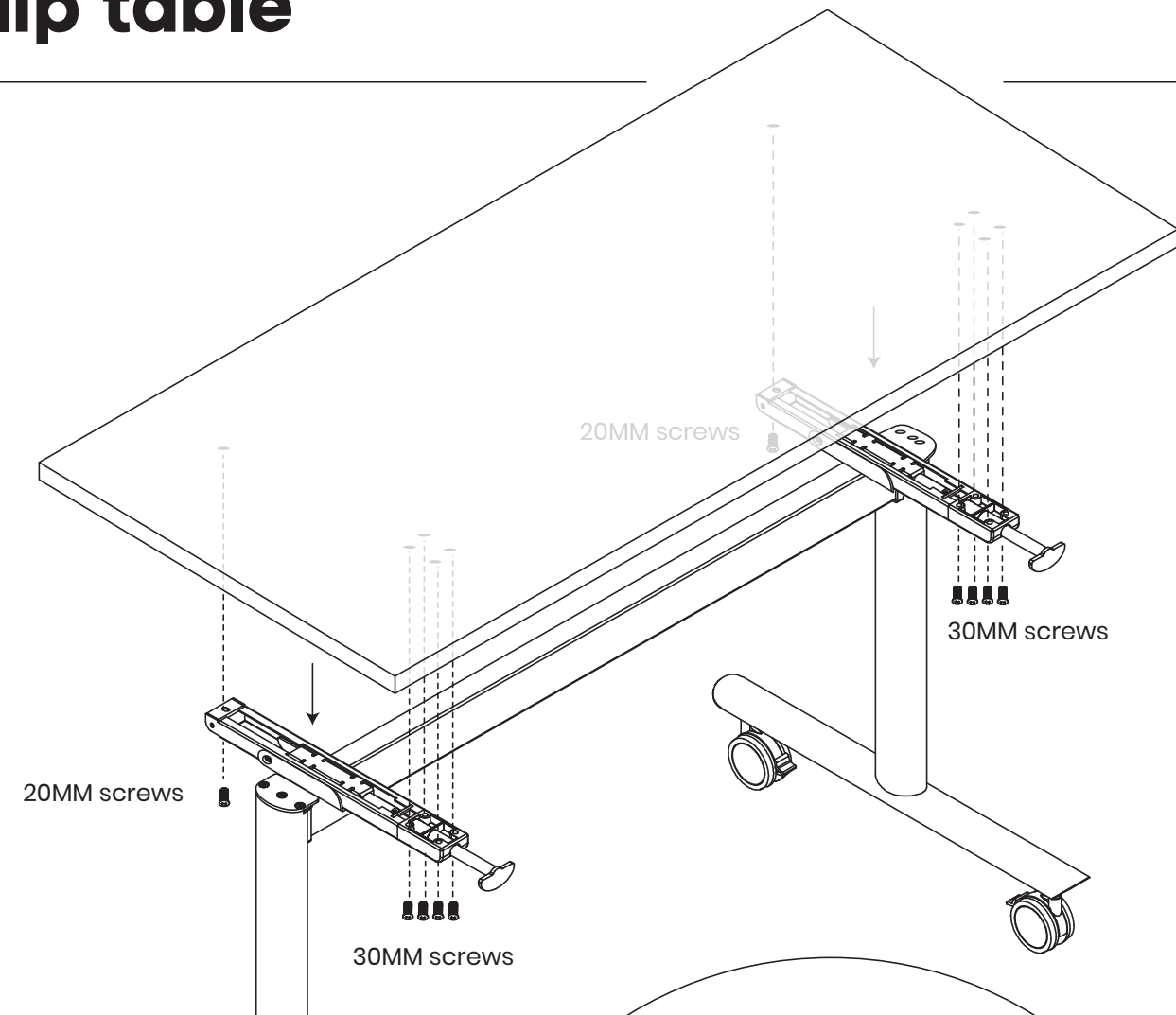
Wood
screws:
30MM*8
20MM*2

Leg A 2PCS	Foot B 2PCS	Beam C 1PC	Mechanism D 2PCS	Top plate E 2PCS	Castor with brake F 4PCS	Plastic Spacer G 2PCS	M5*10 H 2PCS
Metal Spacer I 4PCS	M8*16 J 4PCS	M6*16 K 6PCS	M8*45 L 4PCS	L Spanner CH4 M 1PC	L Spanner CH5 N 1PC	L Spanner CH6 O 1PC	Spanner P 1PC

Solana Flip table



Solana Flip table



ASSEMBLY DONE!

