

ASSEMBLY INSTRUCTIONS

Horizon Quadro Square 4P workstation

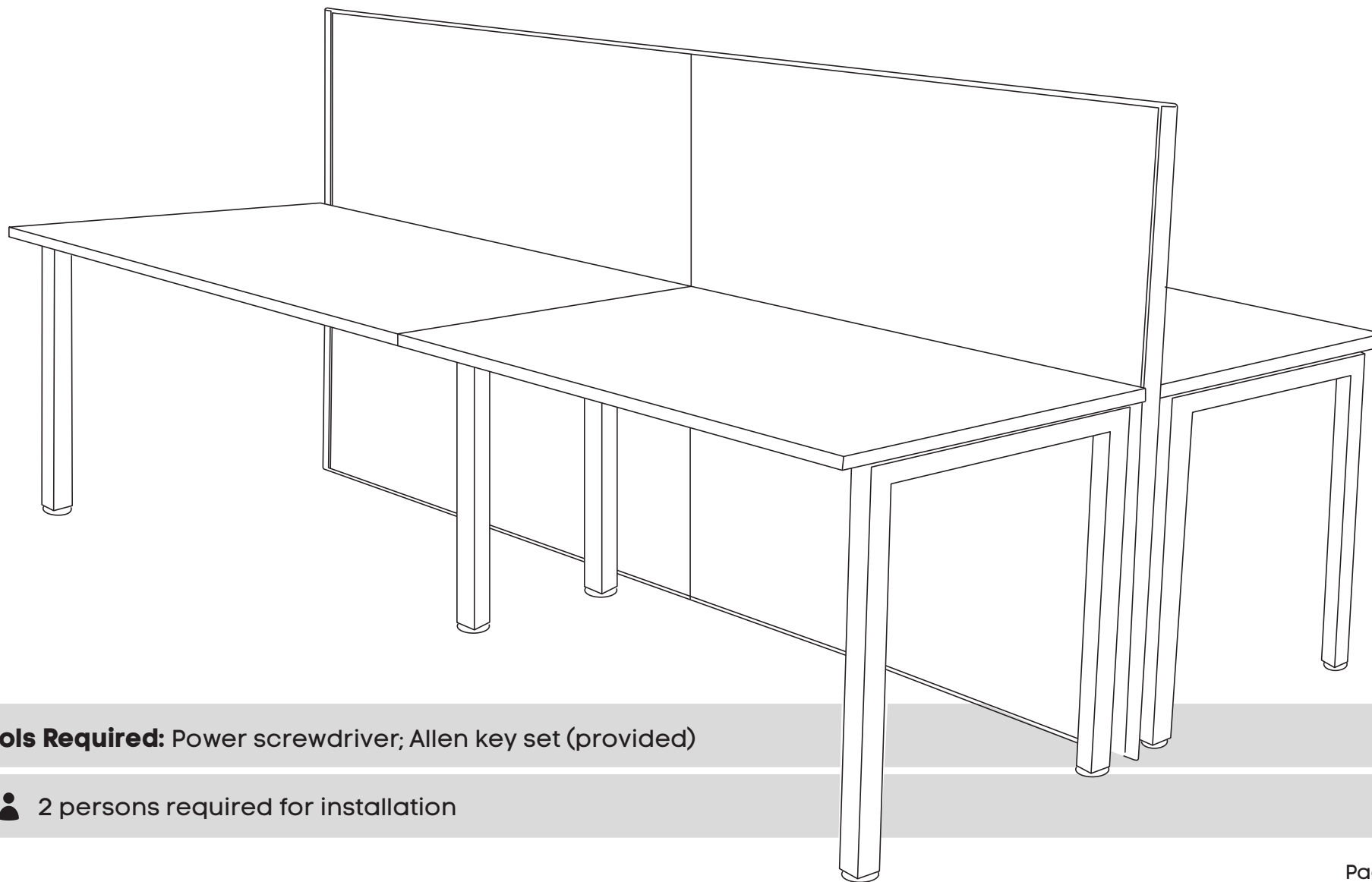
Sizes: 1200x700, 1400x700, 1600x700, 1800x700 mm

www.jasonl.com.au


Need help!

Call us on
1300 527 665

jason.l
your office furniture mate



Tools Required: Power screwdriver; Allen key set (provided)

 2 persons required for installation

ASSEMBLY INSTRUCTIONS

Horizon Quadro Square 4P workstation

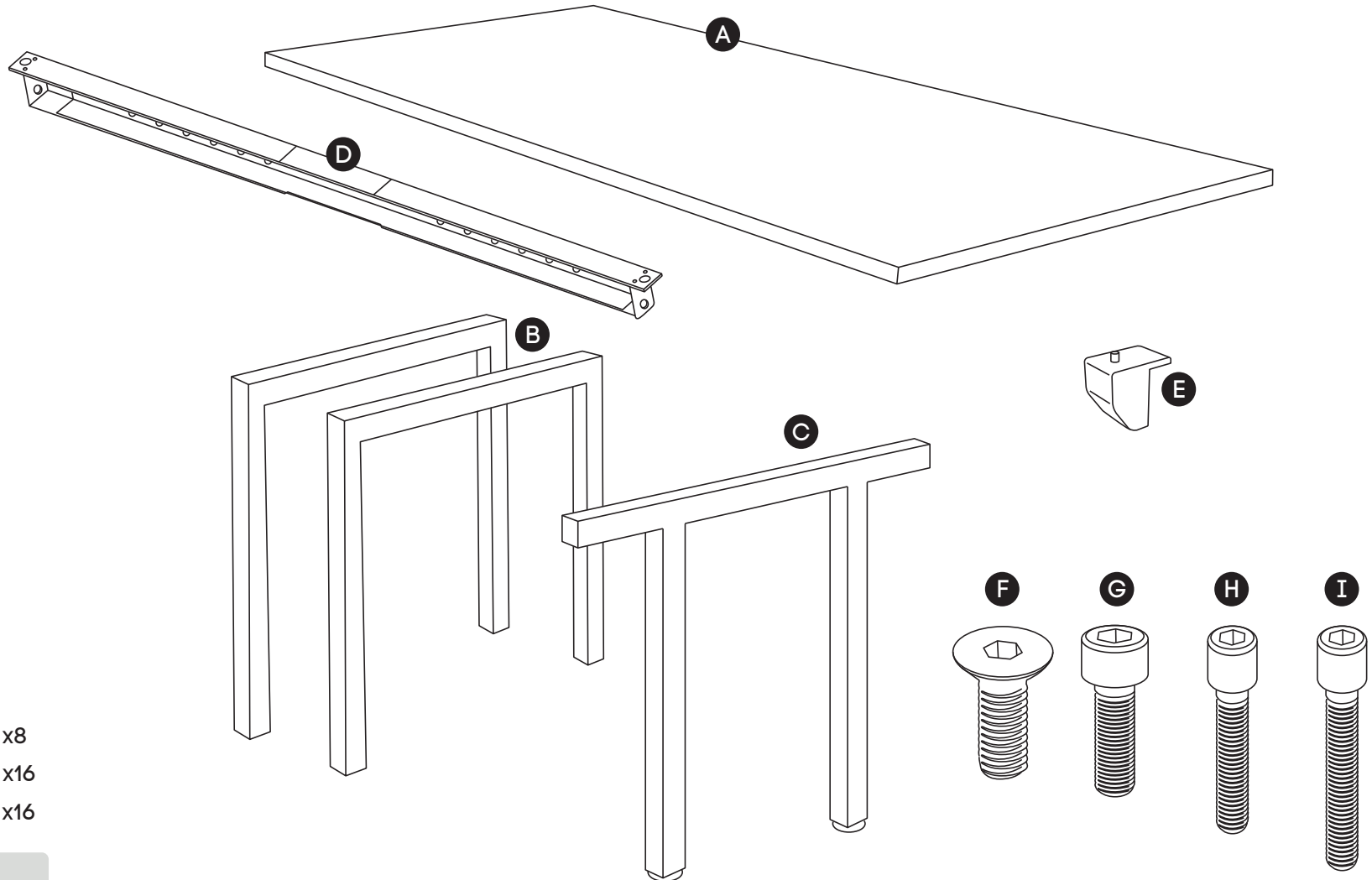
www.jasonl.com.au

Need help!
Call us on
1300 527 665

jason.l
your office furniture mate



Sizes: 1200x700, 1400x700, 1600x700, 1800x700 mm



COMPONENTS

- A Table top x4
- B Leg Quadro Square x4
- C Connector frame x2
- D Beam x4
- E Plastic bracket x16

SCREWS

- F M8x20MM CSK x8
- G M8x20MM Socket head x8
- H M6x20MM Socket head x16
- I M6x30MM Socket head x16

- J Allen key x2

ASSEMBLY INSTRUCTIONS

Horizon Quadro Square 4P workstation

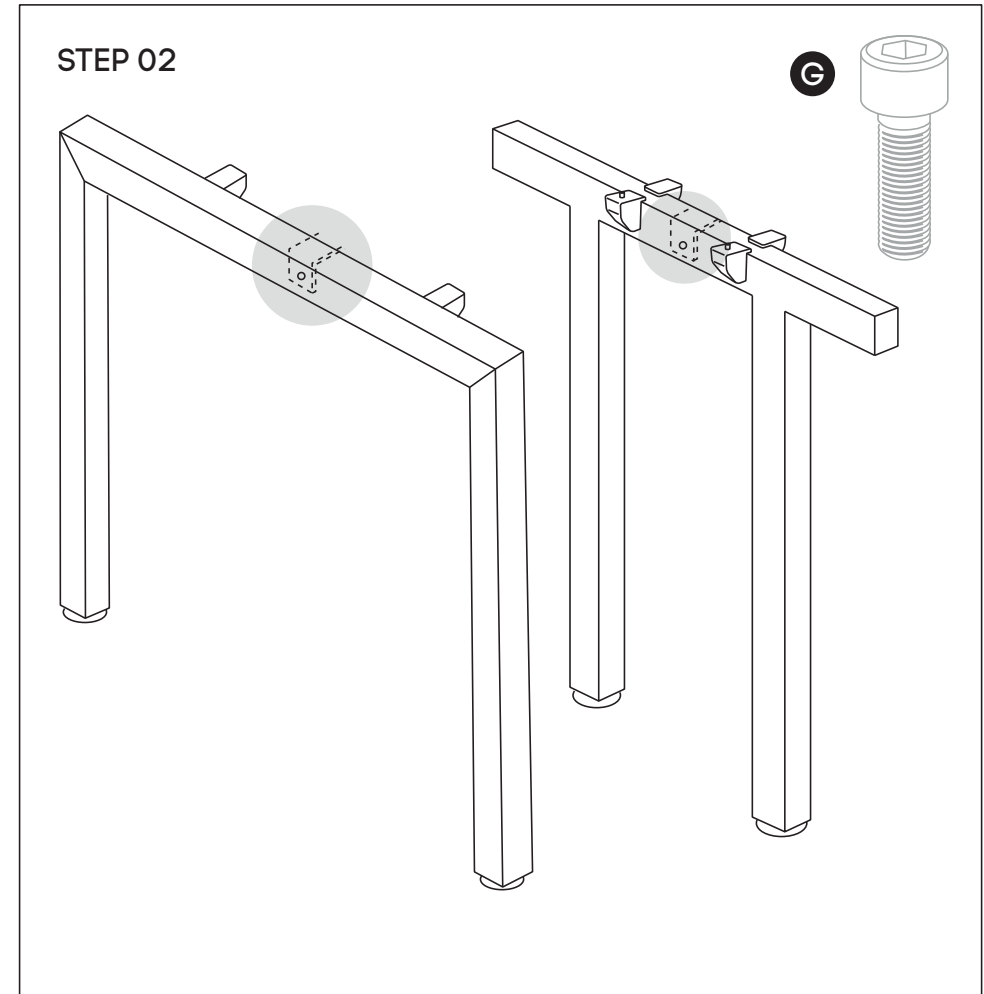
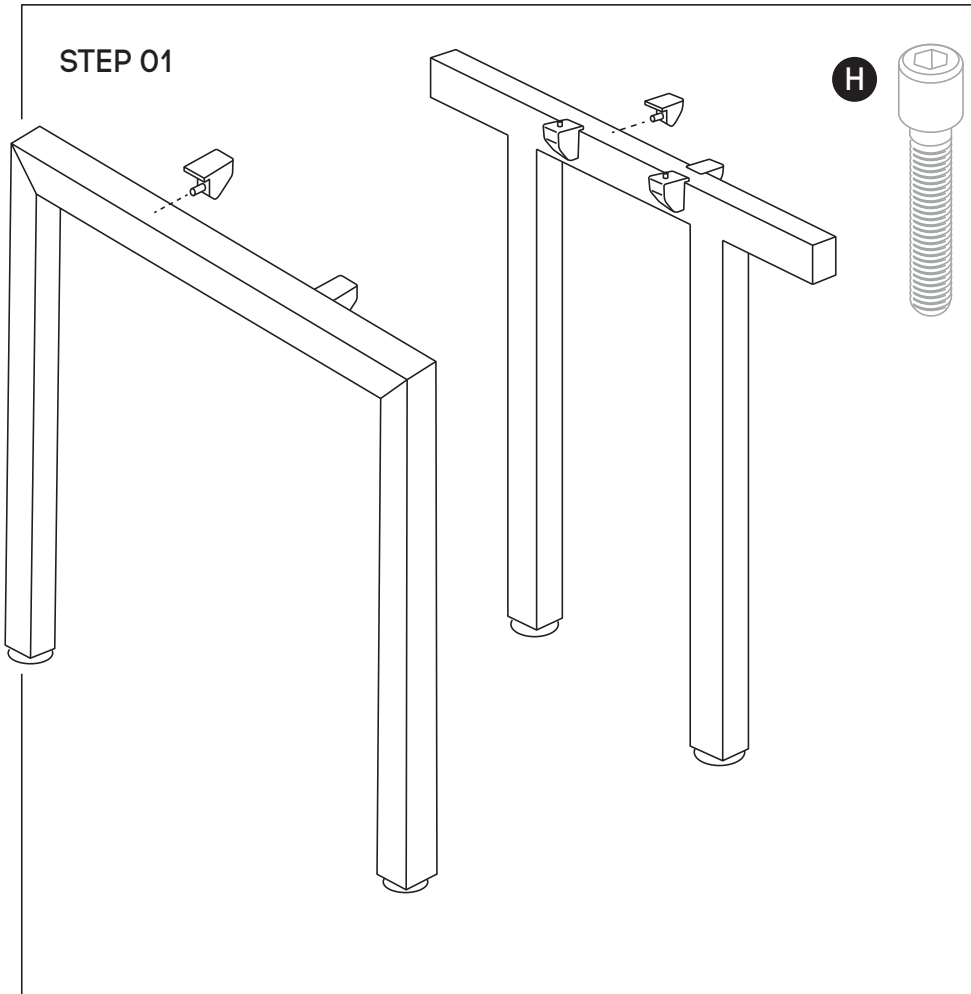
Sizes: 1200x700, 1400x700, 1600x700, 1800x700 mm

www.jasonl.com.au

Need help!

Call us on
1300 527 665

jason.l
your office furniture mate



Using Allen Key provided, attach 2 plastic brackets per leg **(E)** (as per picture above) using M6x20MM **(H)** Socket head screw. Do the same with Connector frame **(C)**.

Using Allen Key provided, attach M8x20MM Socket head **(G)**-screw socket half way into leg for all legs **(B)** and into Connector frame **(C)**.

ASSEMBLY INSTRUCTIONS

Horizon Quadro Square 4P workstation

www.jasonl.com.au

Need help!
Call us on
1300 527 665

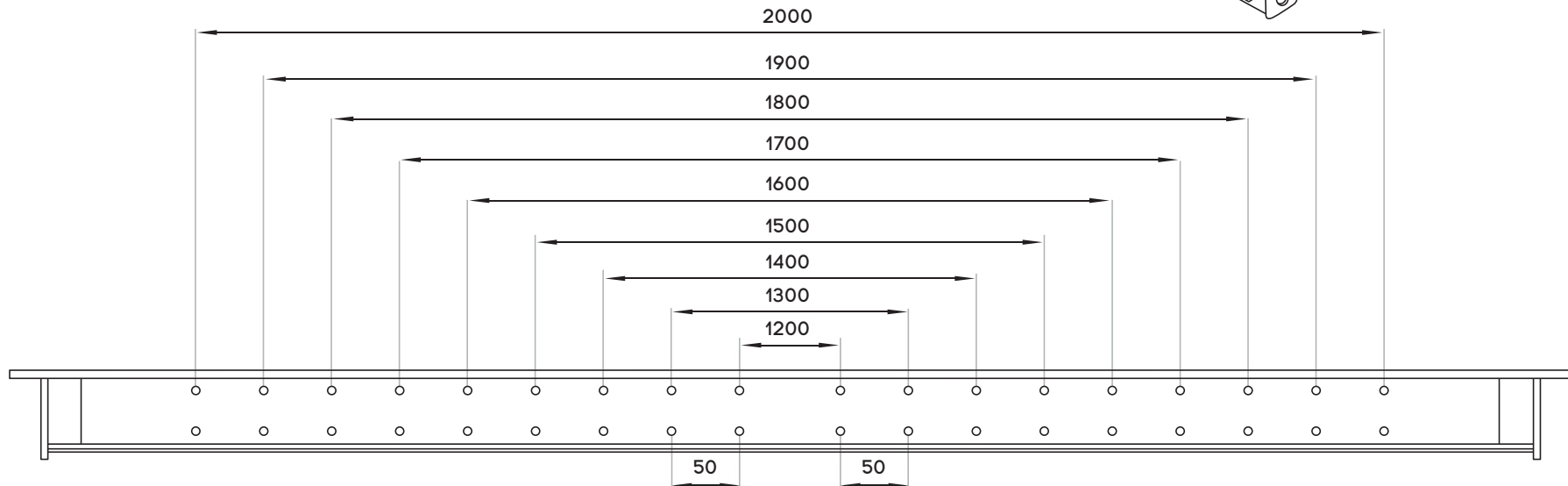
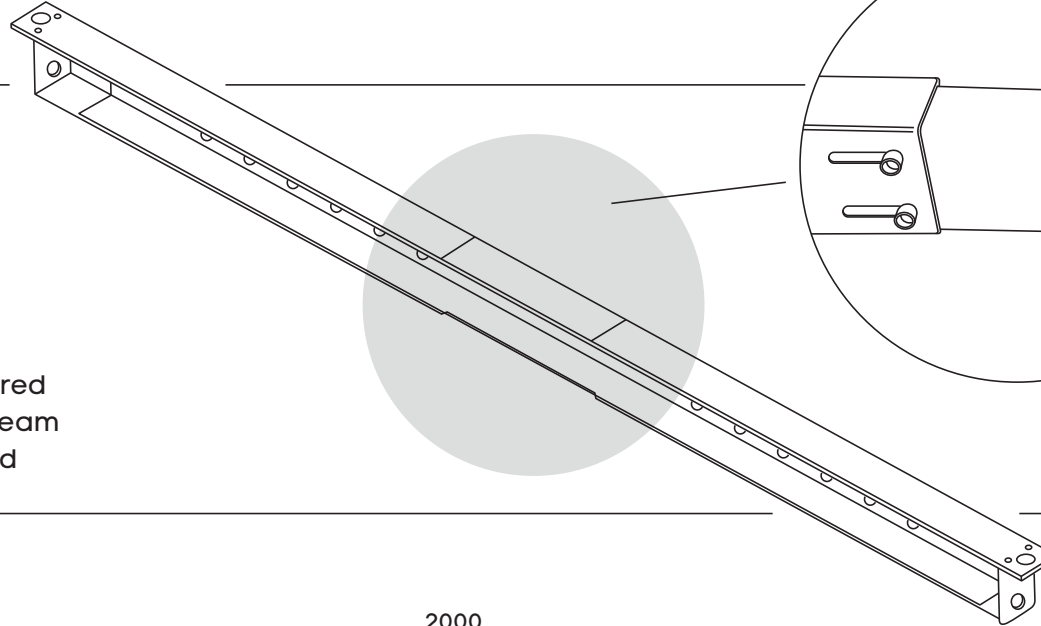
jason.l
your office furniture mate



Sizes: 1200x700, 1400x700, 1600x700, 1800x700 mm

STEP 03

Adjust extendable beam **(D)** to desired length using markers and secure beam at that length using screws provided



ASSEMBLY INSTRUCTIONS

Horizon Quadro Square 4P workstation

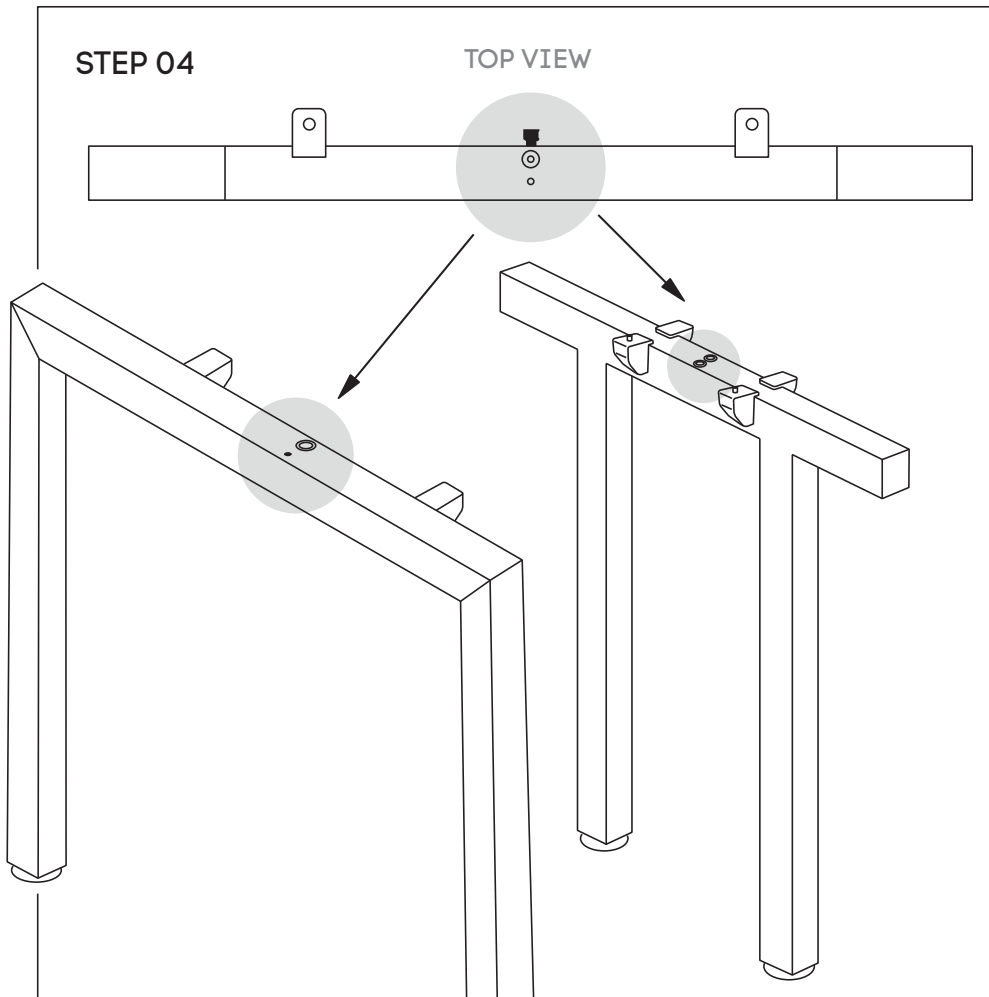
Sizes: 1200x700, 1400x700, 1600x700, 1800x700 mm

www.jasonl.com.au

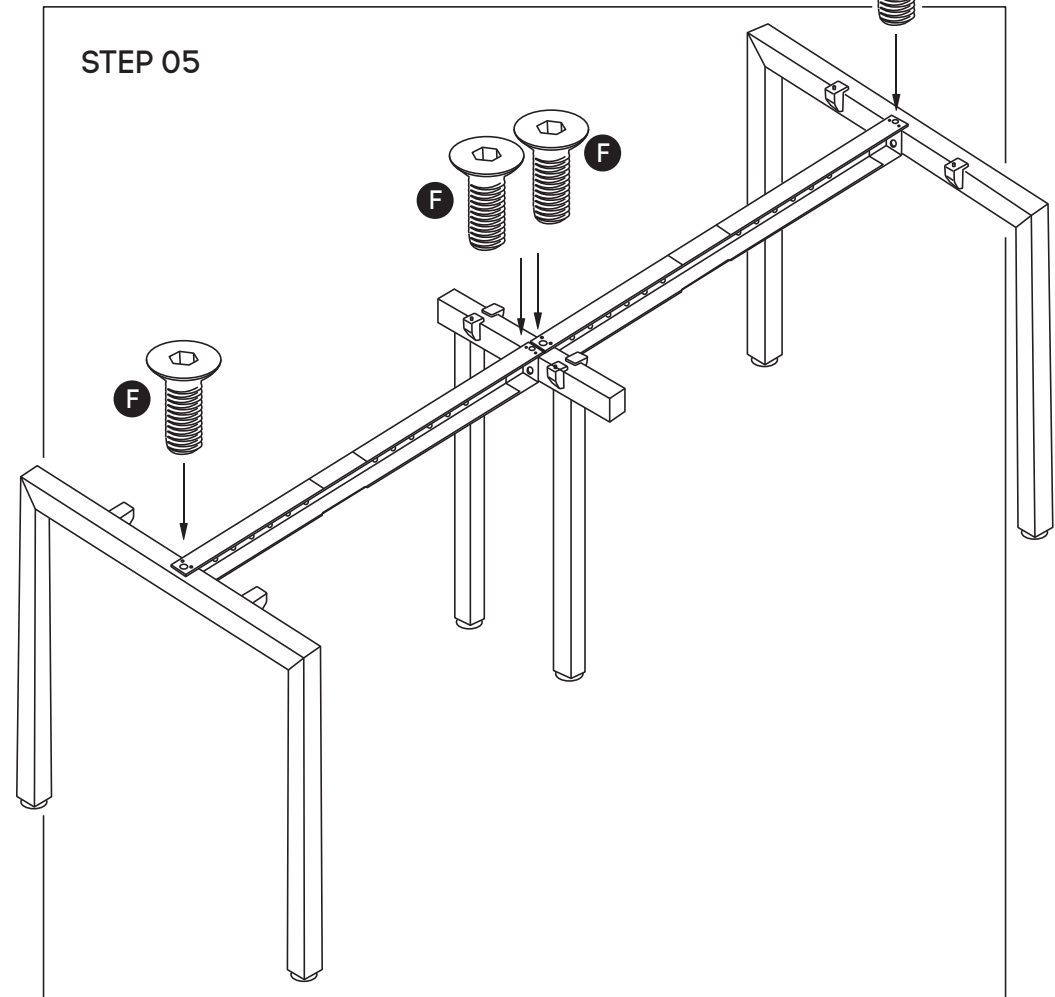
Need help!

Call us on
1300 527 665

jason.l
your office furniture mate



Attach beam **(D)** to legs **(B)** and Connector frame **(C)** using nut insert in legs. See point attached



Frame looks like this. Using Allen Key, attach beam **(D)** with Socket **(F)**

ASSEMBLY INSTRUCTIONS

Horizon Quadro Square 4P workstation

Sizes: 1200x700, 1400x700, 1600x700, 1800x700 mm

www.jasonl.com.au

Need help!

Call us on
1300 527 665

jason.l
your office furniture mate

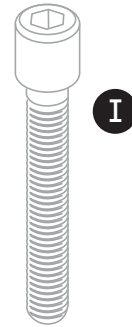
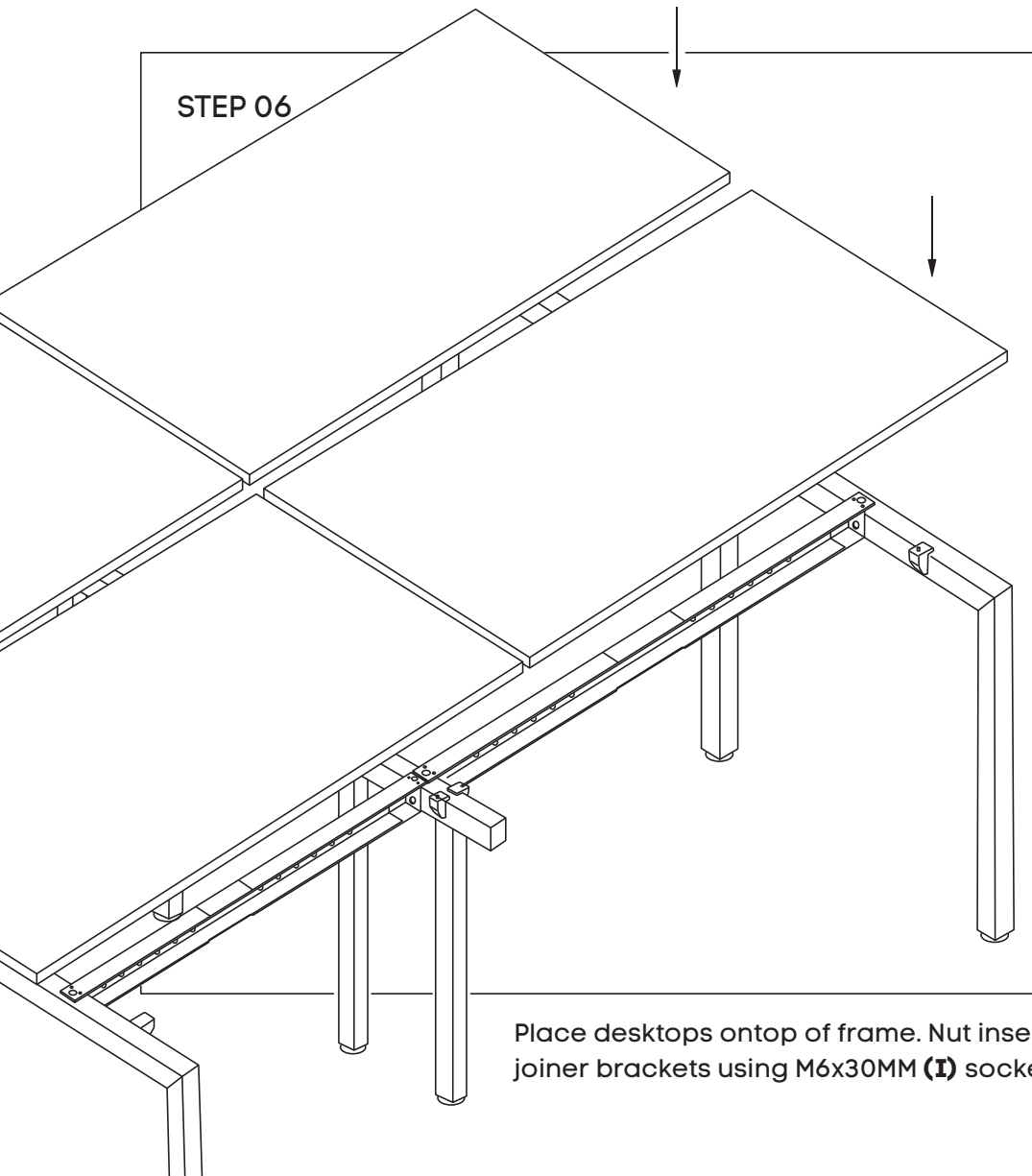
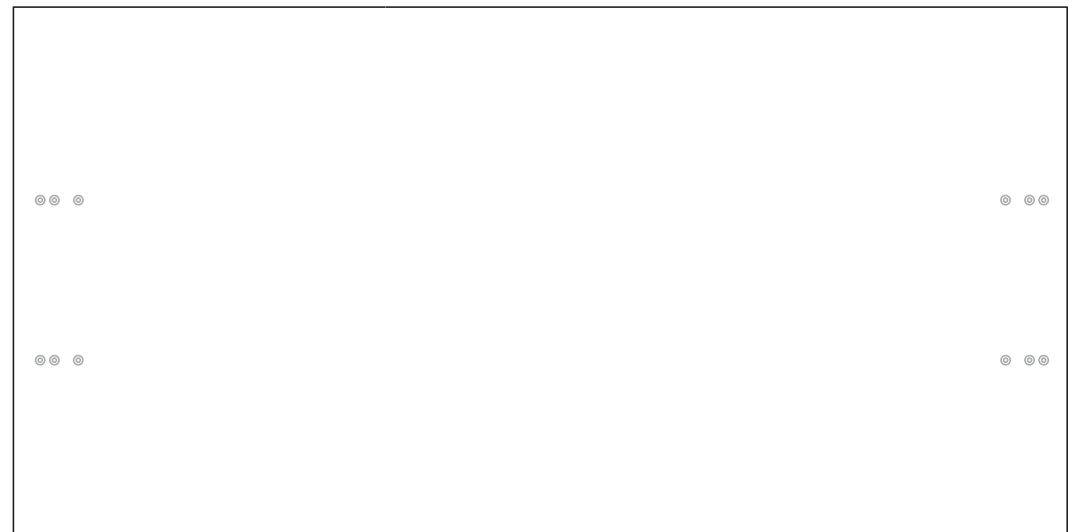


TABLE TOP
BOTTOM VIEW



Place desktops ontop of frame. Nut inserts in top will align with plastic joiner brackets using M6x30MM (I) sockets attach tops to frame.

ASSEMBLY INSTRUCTIONS

Horizon Quadro Square 4P workstation

Sizes: 1200x700, 1400x700, 1600x700, 1800x700 mm

www.jasonl.com.au

Need help!

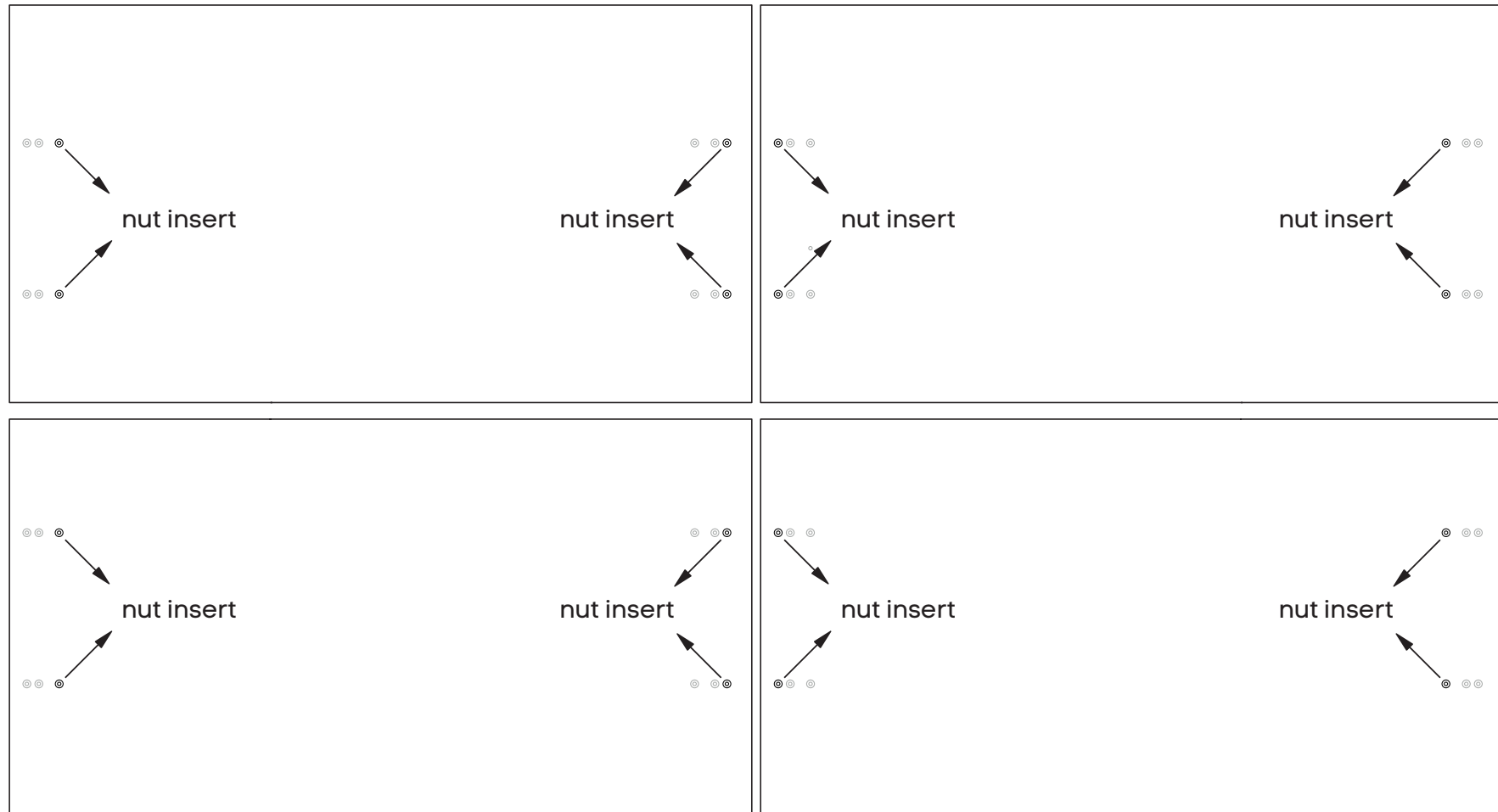
Call us on
1300 527 665

jason.l
your office furniture mate



TABLE TOPS BOTTOM VIEW

The following nut inserts should be used for this specific desk / workstation



ASSEMBLY INSTRUCTIONS

Horizon Quadro Square 4P workstation

www.jasonl.com.au

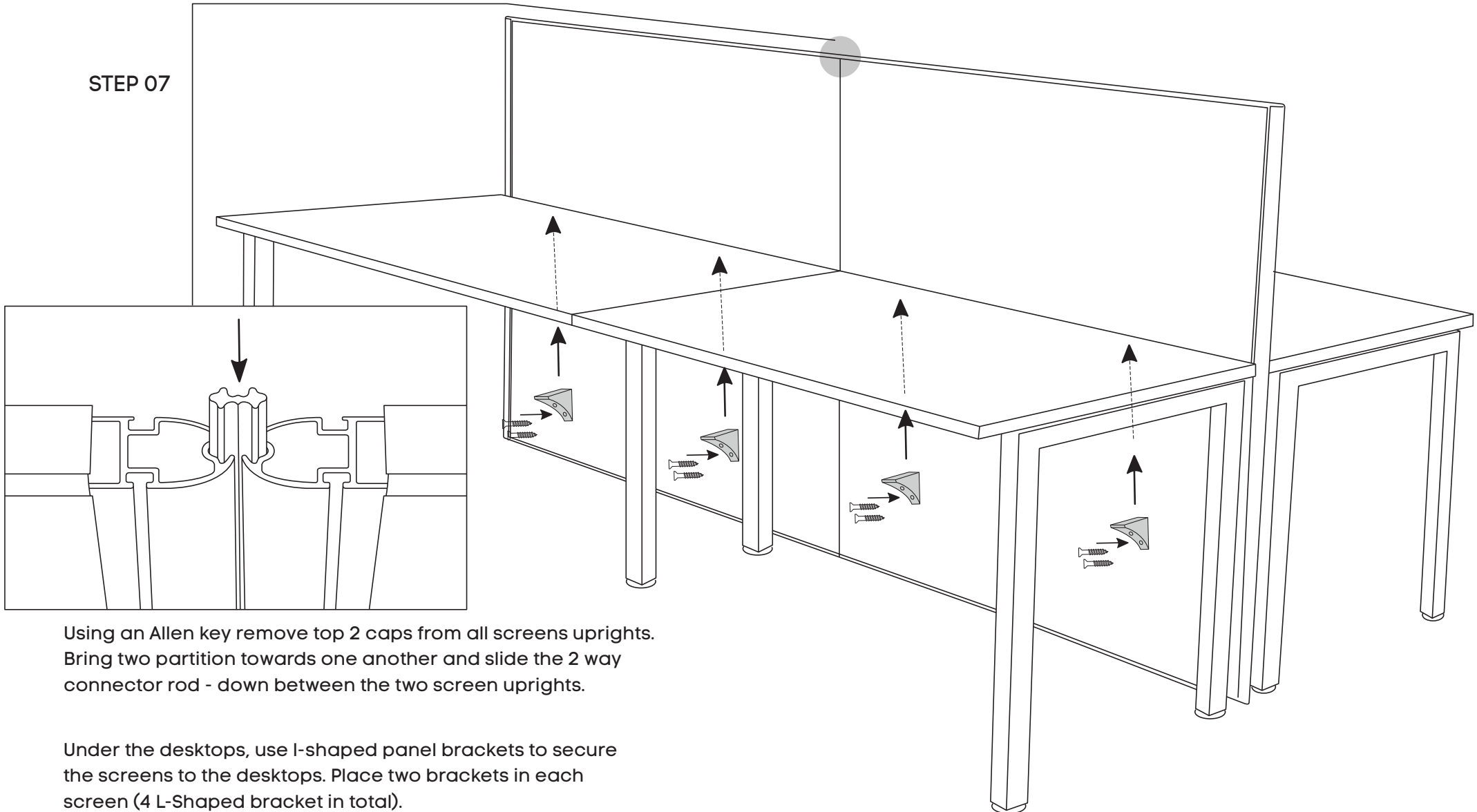
Need help!
Call us on
1300 527 665

jason.l
your office furniture mate



Sizes: 1200x700, 1400x700, 1600x700, 1800x700 mm

STEP 07



Using an Allen key remove top 2 caps from all screens uprights. Bring two partition towards one another and slide the 2 way connector rod - down between the two screen uprights.

Under the desktops, use L-shaped panel brackets to secure the screens to the desktops. Place two brackets in each screen (4 L-Shaped bracket in total).