

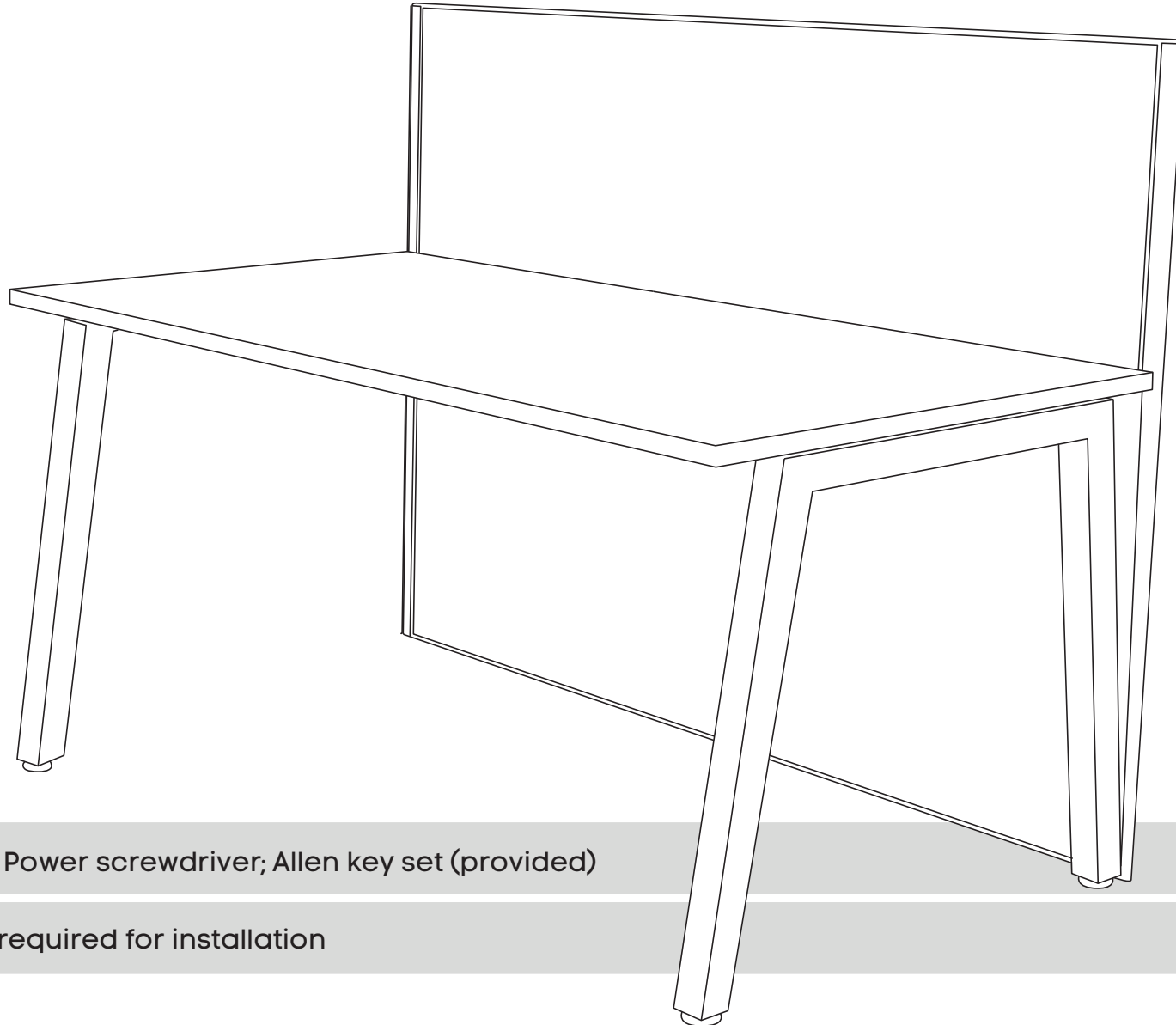
**ASSEMBLY INSTRUCTIONS**  
**Horizon Desk**  
**Quadro A**

Sizes: 1200x700, 1400x700, 1600x700, 1800x700 mm


[www.jasonl.com.au](http://www.jasonl.com.au)

**Need help!**  
Call us on  
**1300 527 665**

**jason.l**  
your office furniture mate



**Tools Required:** Power screwdriver; Allen key set (provided)

 2 persons required for installation

# ASSEMBLY INSTRUCTIONS

## Horizon Desk

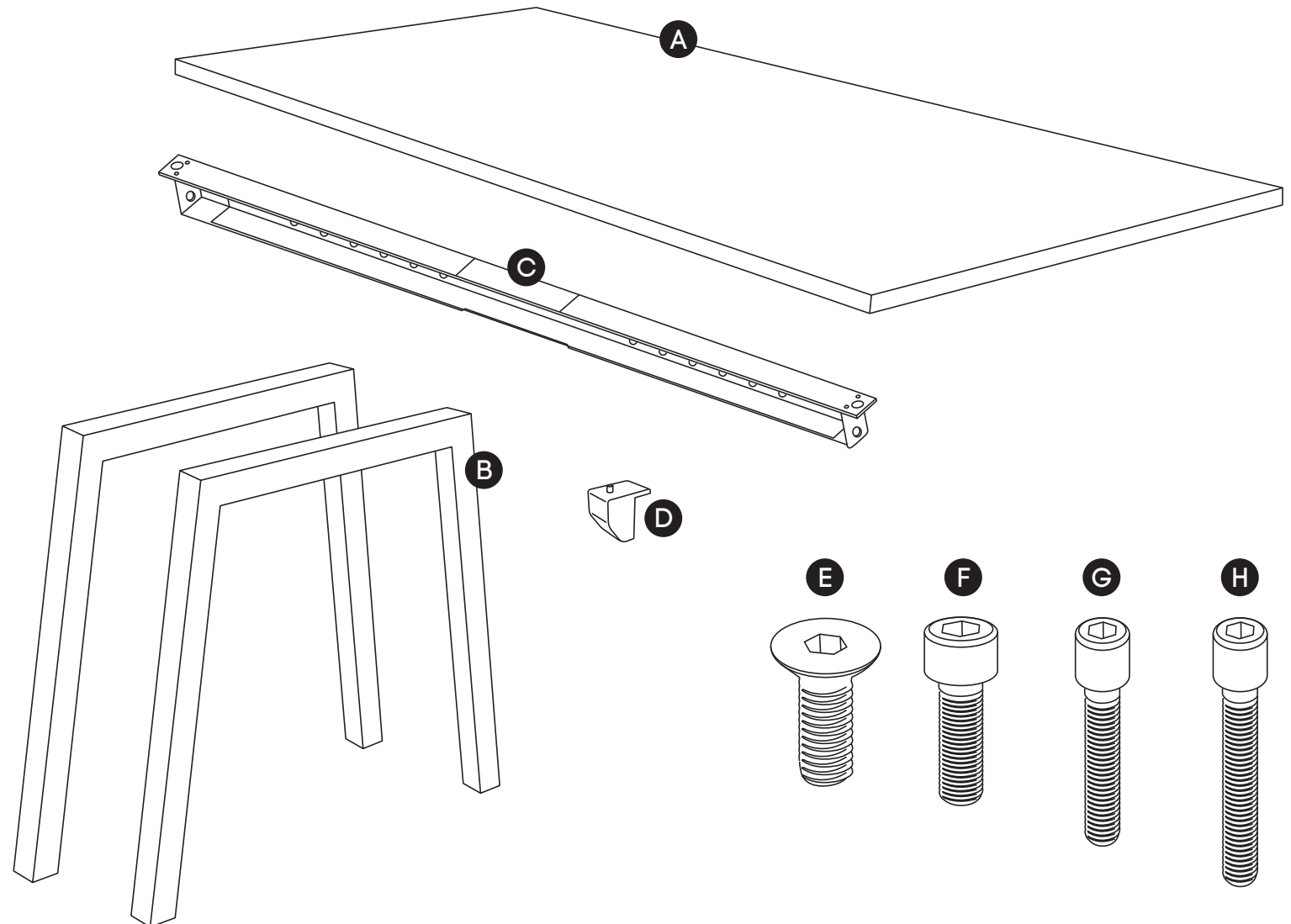
### Quadro A

Sizes: 1200x700, 1400x700, 1600x700, 1800x700 mm

[www.jasonl.com.au](http://www.jasonl.com.au)

**Need help!**  
Call us on  
**1300 527 665**

**jason.l**  
your office furniture mate



#### COMPONENTS

- A Table top x1
- B Legs Quadro A x2
- C Beam x1
- D Plastic bracket x4

#### SCREWS

- E M8x20MM CSK x2
- F M8x20MM Socket head x2
- G M6x20MM Socket head x4
- H M6x30MM Socket head x4

- I Allen key x2

# ASSEMBLY INSTRUCTIONS

## Horizon Desk

### Quadro A

Sizes: 1200x700, 1400x700, 1600x700, 1800x700 mm

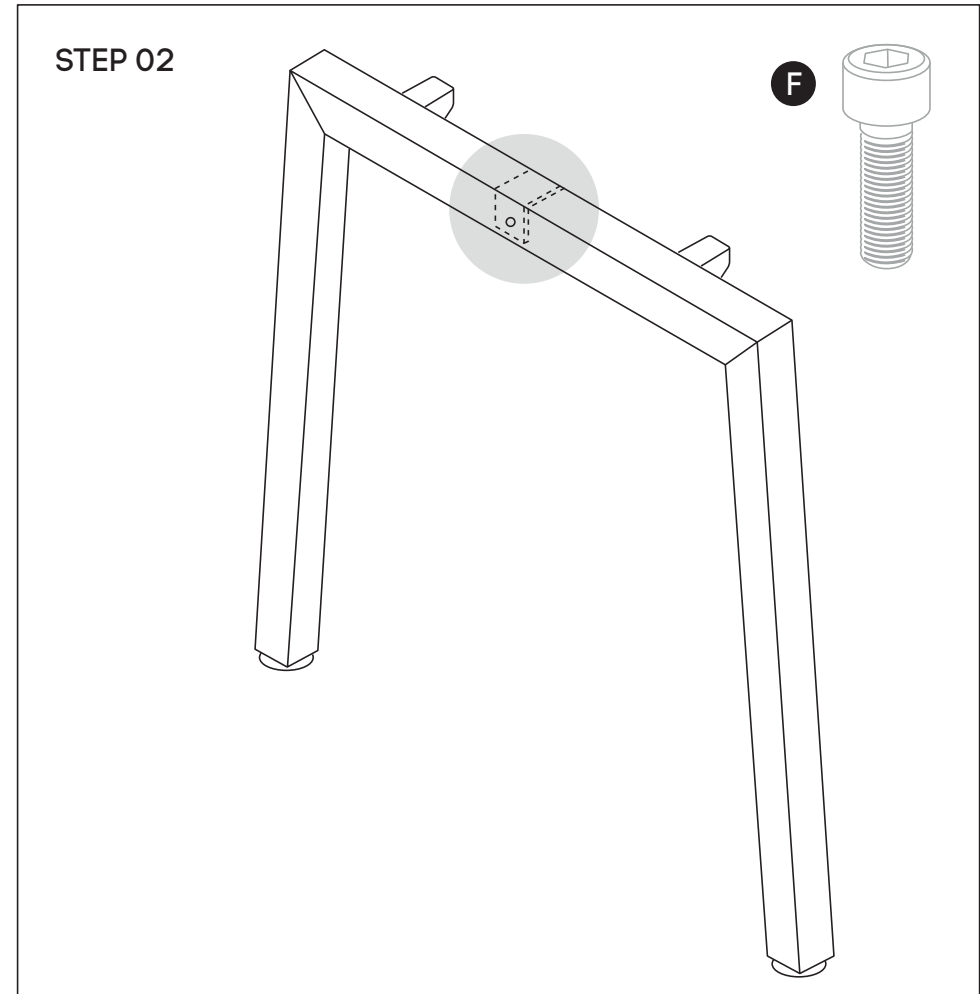
[www.jasonl.com.au](http://www.jasonl.com.au)

**Need help!**  
Call us on  
**1300 527 665**

**jason.l**  
your office furniture mate



Using Allen Key provided, attach 2 plastic brackets per leg **(D)** (as per picture above) using M6x20MM **(G)** Socket head screw



Using Allen Key provided, attach M8x20MM Socket head **(F)**-screw socket half way into leg for both legs **(B)**

# ASSEMBLY INSTRUCTIONS

## Horizon Desk

### Quadro A

[www.jasonl.com.au](http://www.jasonl.com.au)

**Need help!**  
Call us on  
**1300 527 665**

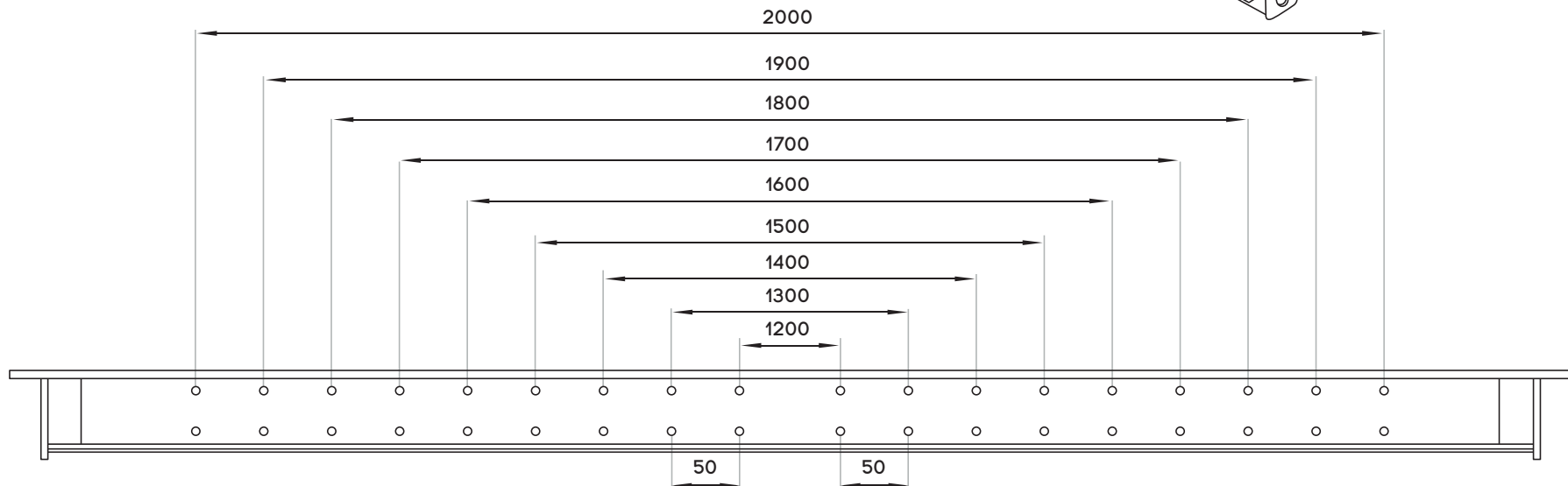
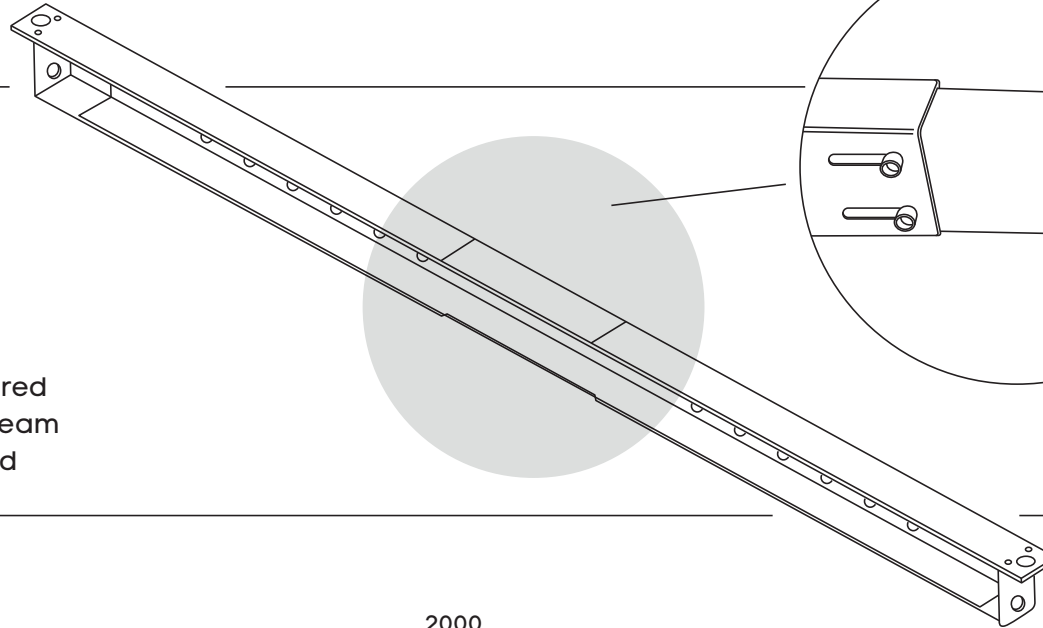
**jason.l**  
your office furniture mate



Sizes: 1200x700, 1400x700, 1600x700, 1800x700 mm

#### STEP 03

Adjust extendable beam (C) to desired length using markers and secure beam at that length using screws provided



# ASSEMBLY INSTRUCTIONS

## Horizon Desk

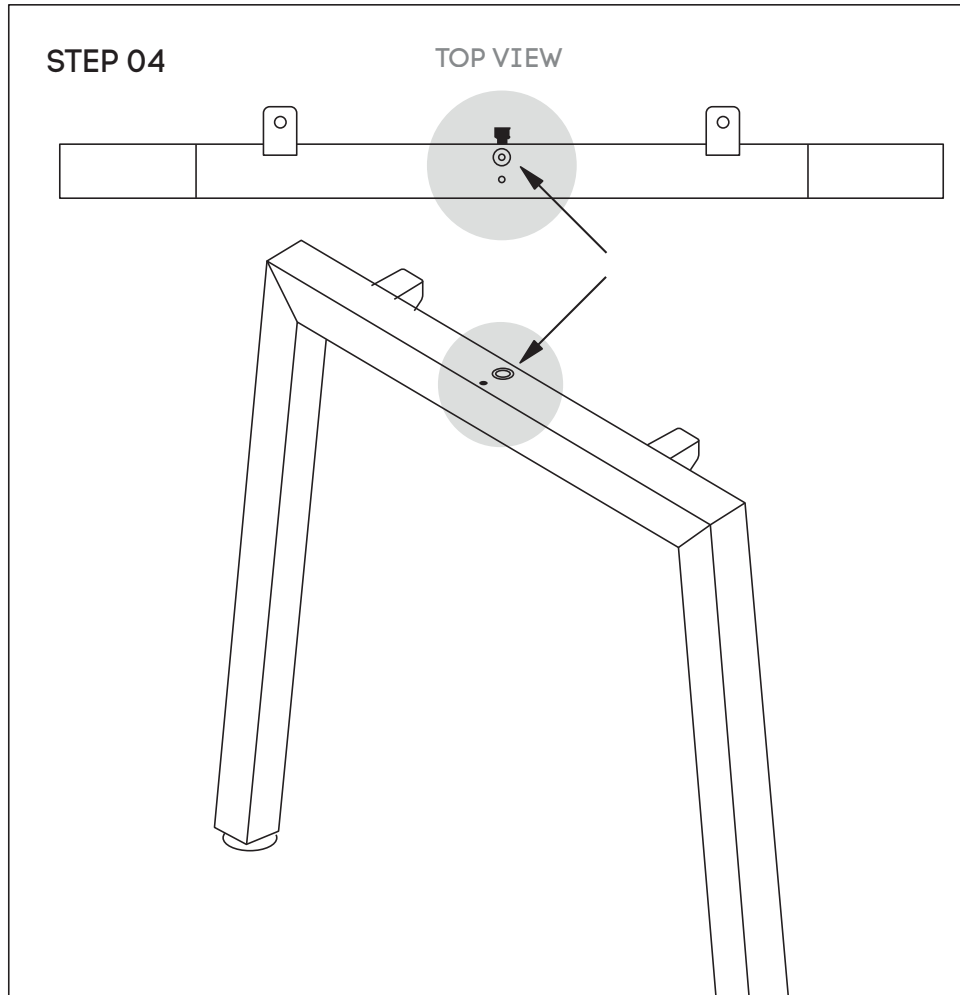
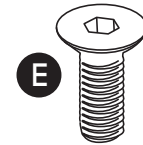
### Quadro A

Sizes: 1200x700, 1400x700, 1600x700, 1800x700 mm

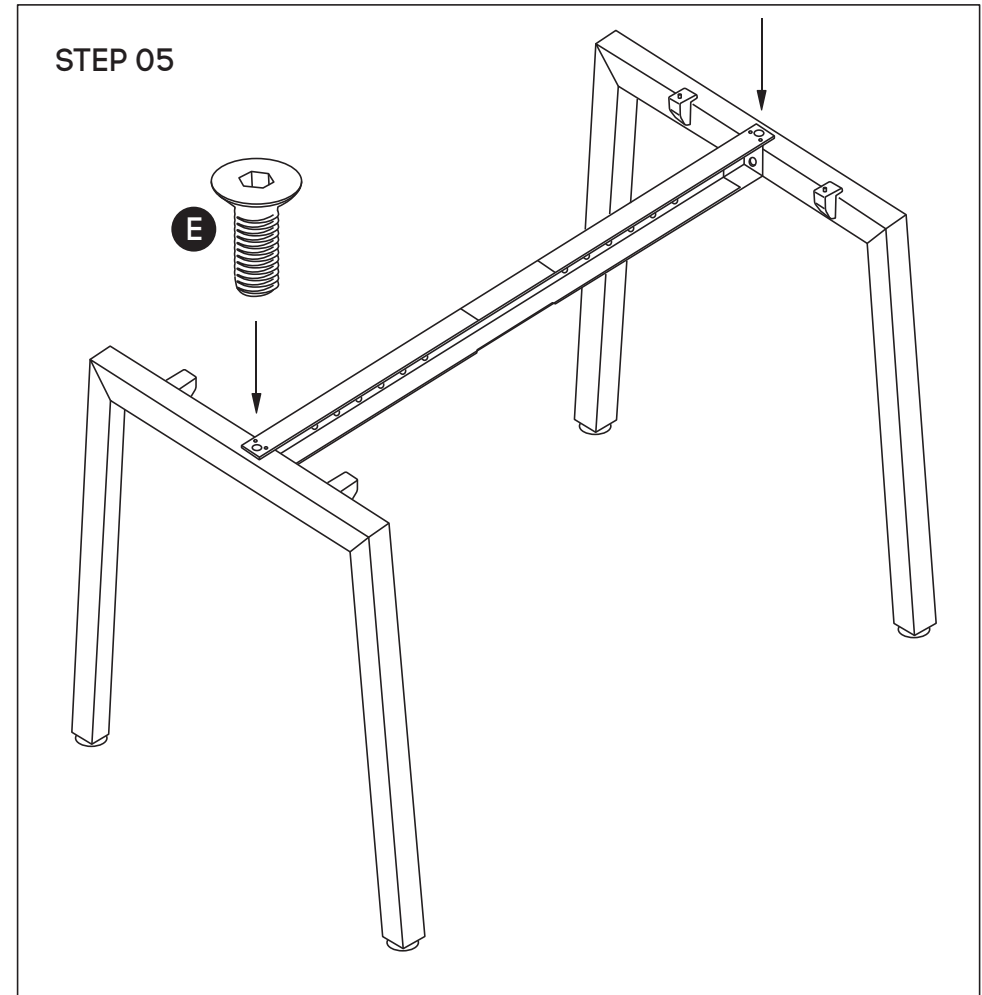
[www.jasonl.com.au](http://www.jasonl.com.au)

**Need help!**  
Call us on  
**1300 527 665**

**jason.l**  
your office furniture mate



Attach beam **(C)** to legs **(B)** using nut insert in legs.  
See point attached



Frame looks like this. Using Allen Key, attach beam **(C)** with Socket **(E)**

# ASSEMBLY INSTRUCTIONS

## Horizon Desk

### Quadro A

Sizes: 1200x700, 1400x700, 1600x700, 1800x700 mm

[www.jasonl.com.au](http://www.jasonl.com.au)

**Need help!**  
Call us on  
**1300 527 665**

**jason.l**  
your office furniture mate

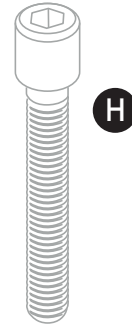
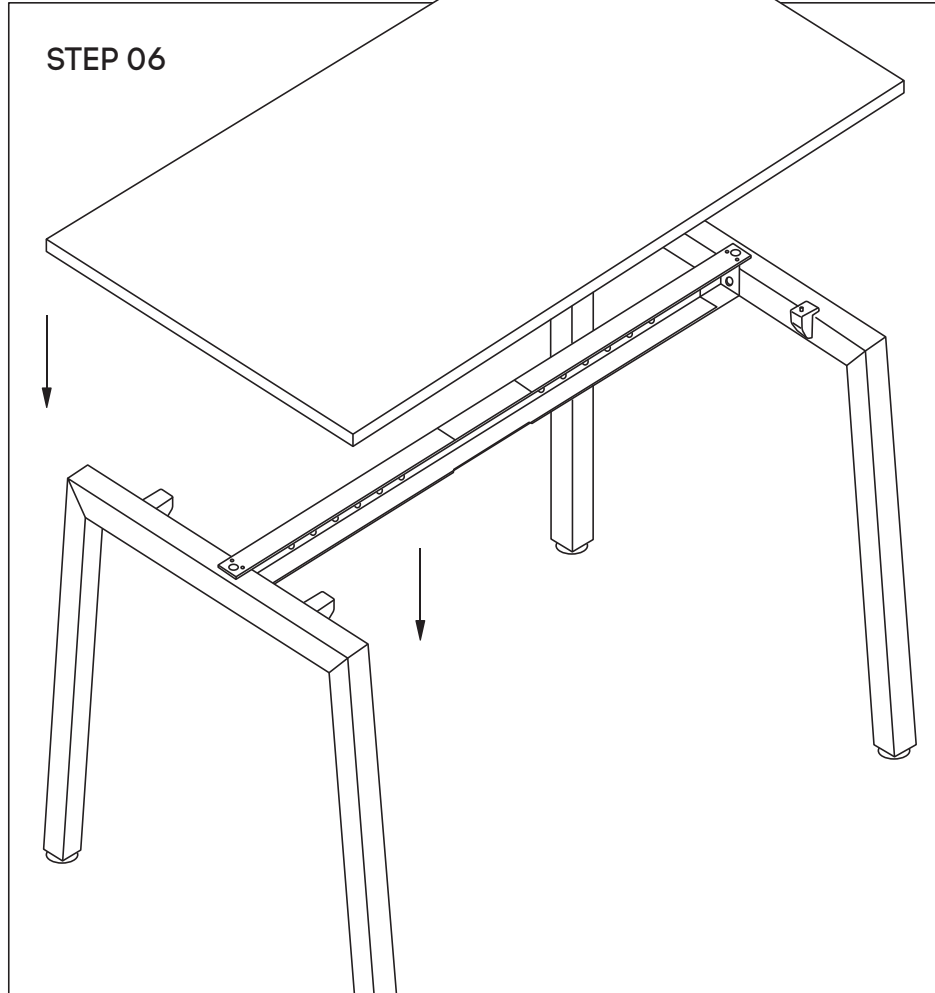
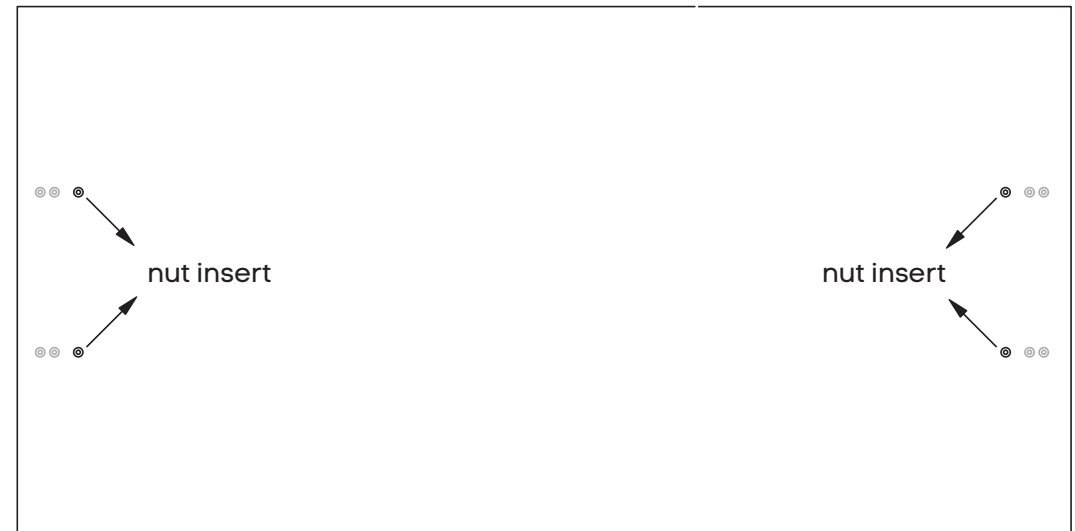


TABLE TOP  
BOTTOM VIEW



Place desktop on top of frame. Nut inserts in top will align with plastic joiner brackets using M6x30MM (H) sockets attach top to frame.

# ASSEMBLY INSTRUCTIONS

## Horizon Desk

### Quadro A

[www.jasonl.com.au](http://www.jasonl.com.au)

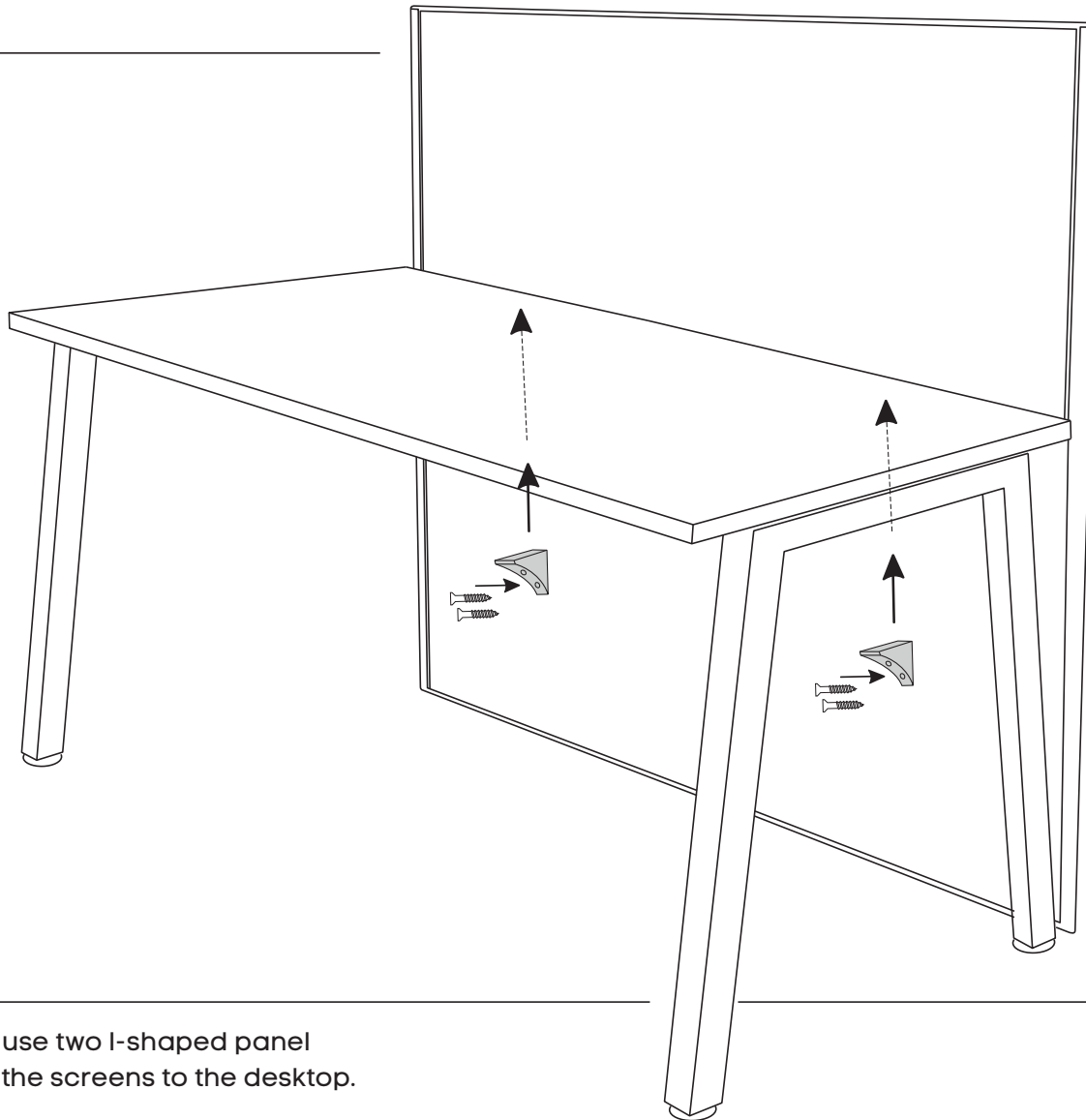
**Need help!**  
Call us on  
**1300 527 665**

**jason.l**  
your office furniture mate



Sizes: 1200x700, 1400x700, 1600x700, 1800x700 mm

#### STEP 07



Under the desktop, use two I-shaped panel brackets to secure the screens to the desktop.