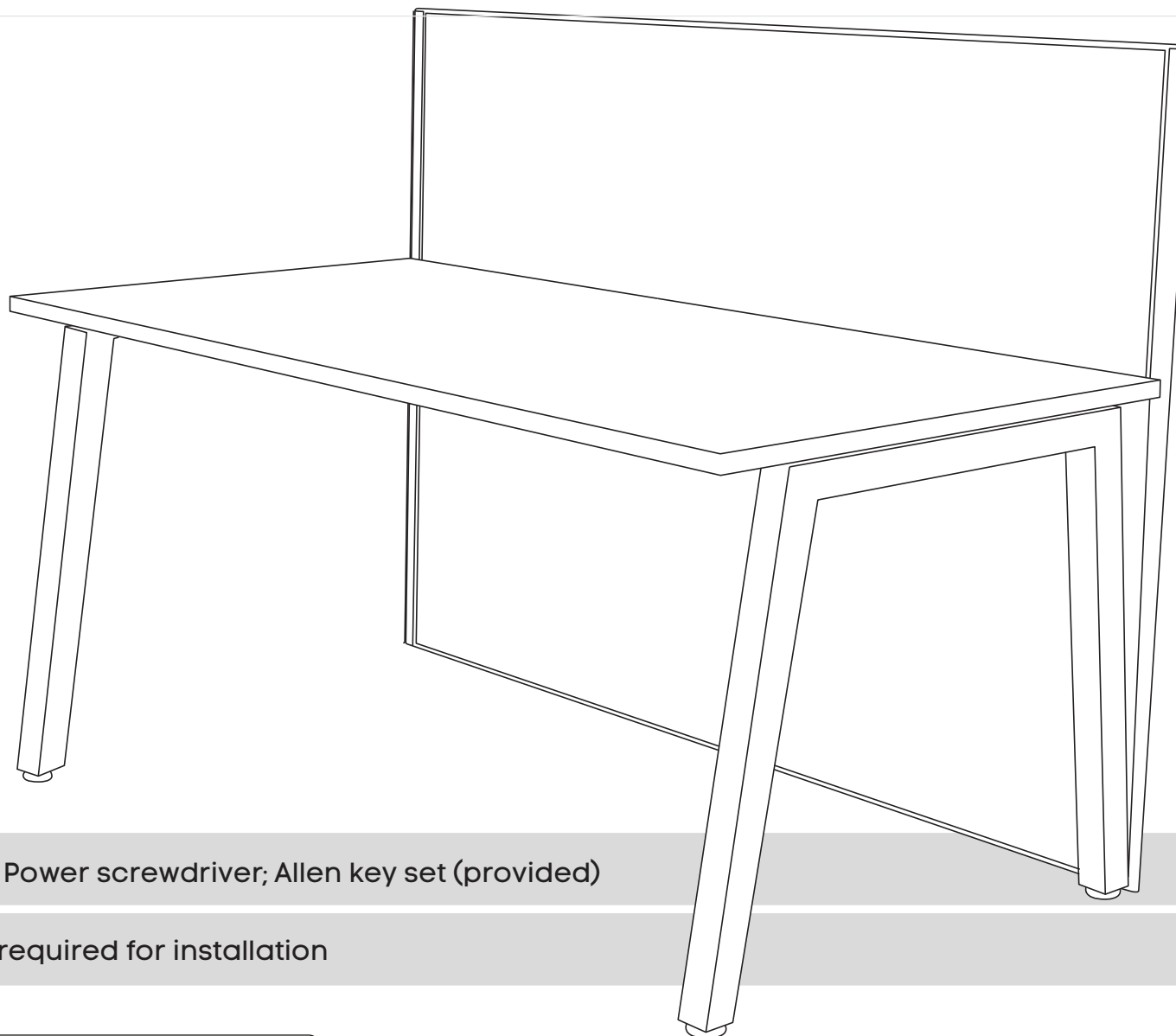


Horizon Quadro A Desk


Sizes:

1400x700

1600x700



Tools Required: Power screwdriver; Allen key set (provided)

 2 persons required for installation

Need help!

Call us on **1300 527 665**

Horizon Quadro A Desk

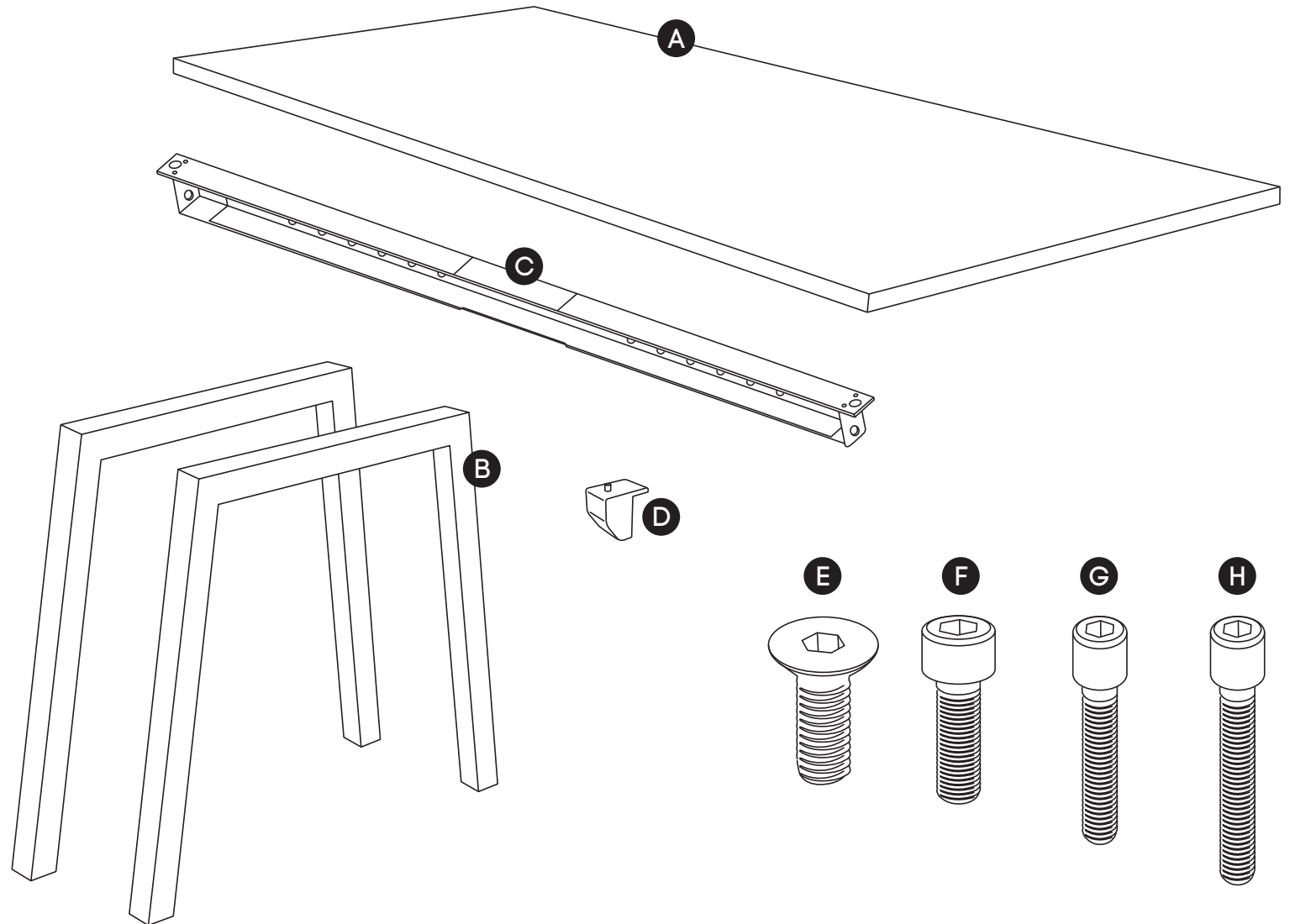
COMPONENTS

- A Table top x1
- B Legs Quadro A x2
- C Beam x1
- D Plastic bracket x4

SCREWS

- E M8x20MM CSK x2
- F M8x20MM Socket head x2
- G M6x20MM Socket head x4
- H M6x30MM Socket head x4

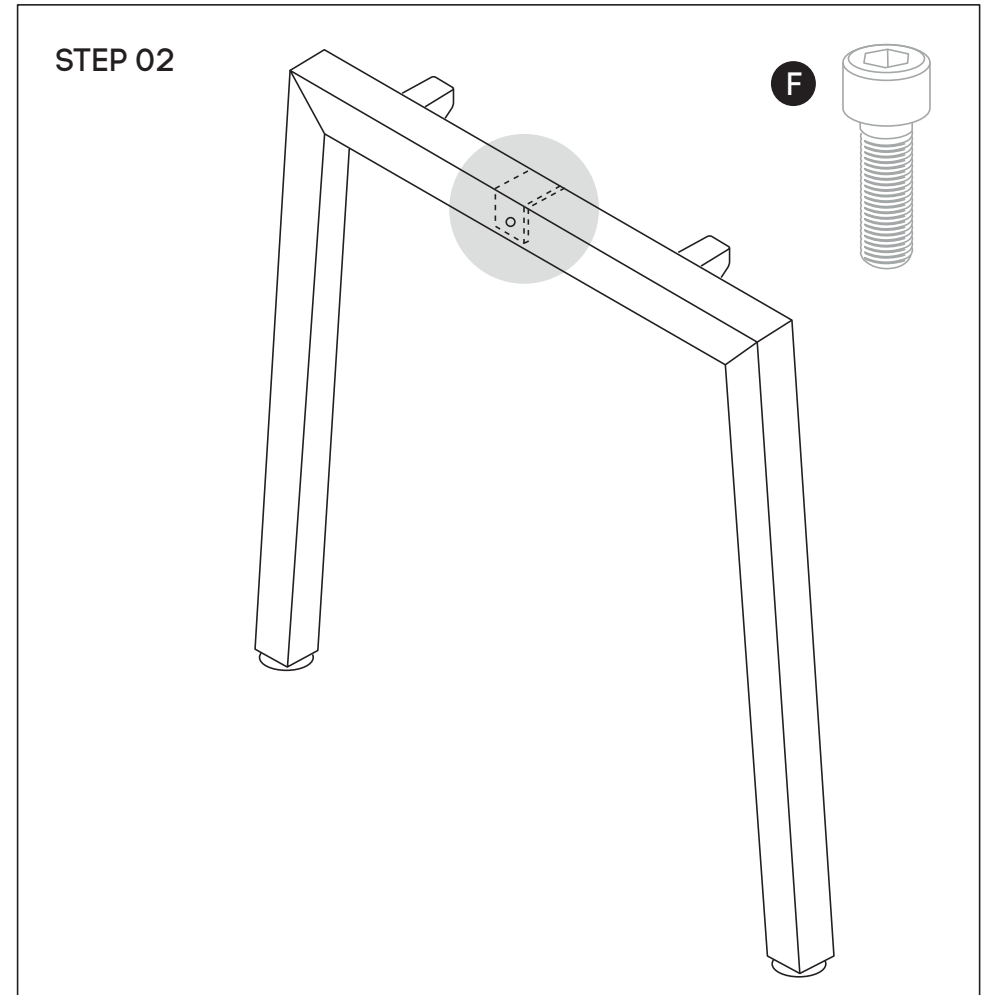
- I Allen key x2



Horizon Quadro A Desk



Using Allen Key provided, attach 2 plastic brackets per leg **(D)** (as per picture above) using M6x20MM **(G)** Socket head screw

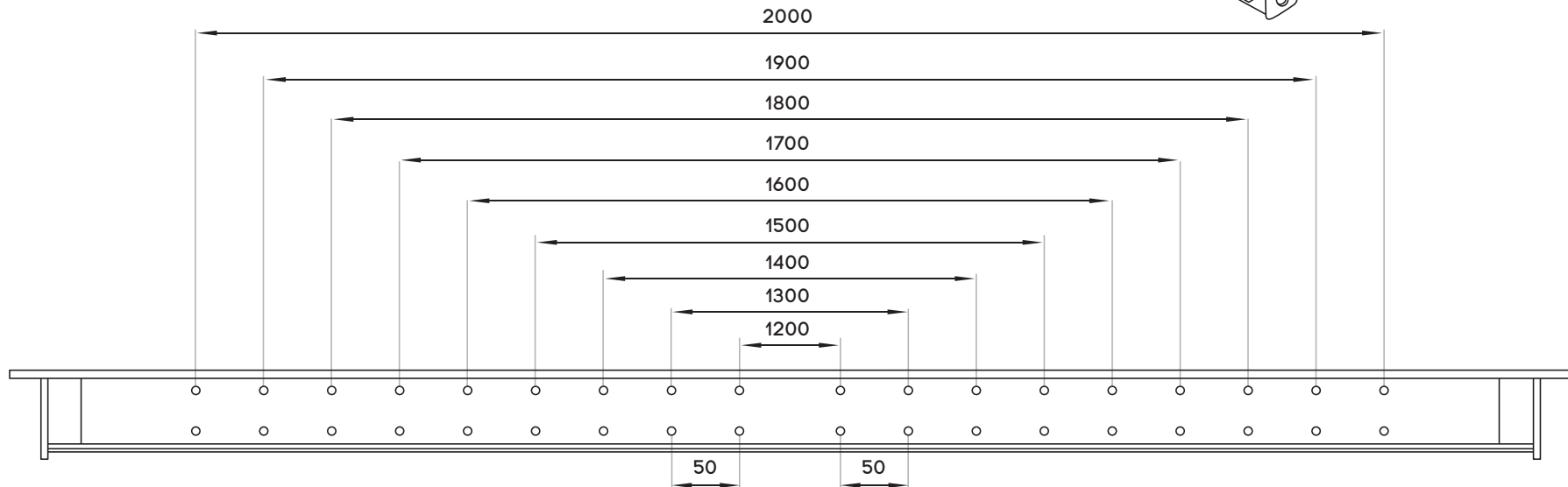
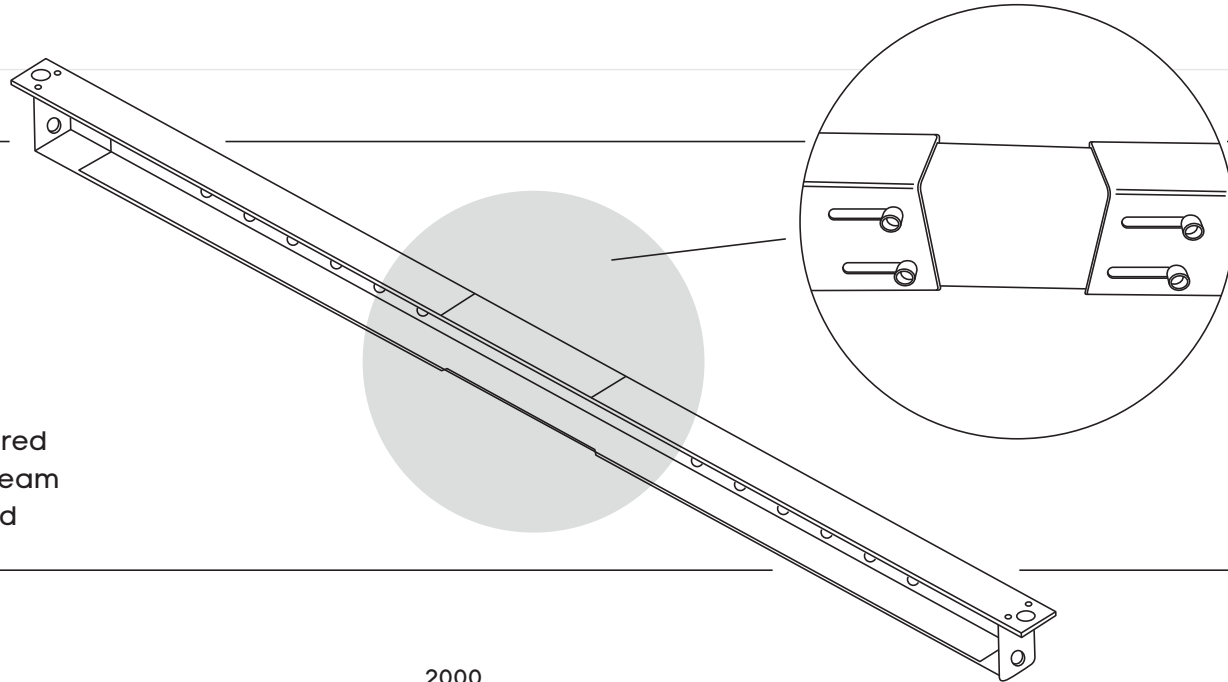


Using Allen Key provided, attach M8x20MM Socket head **(F)**- screw socket half way into leg for both legs **(B)**

Horizon Quadro Square Desk

STEP 03

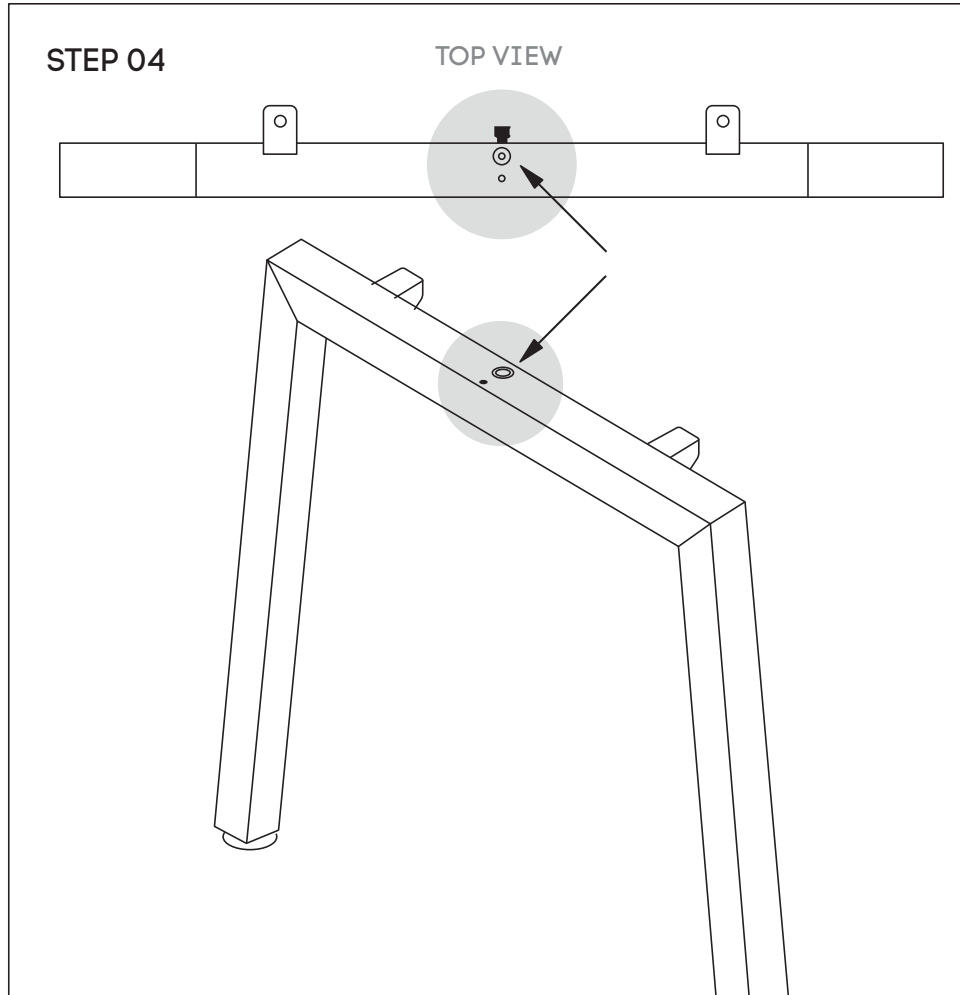
Adjust extendable beam (C) to desired length using markers and secure beam at that length using screws provided



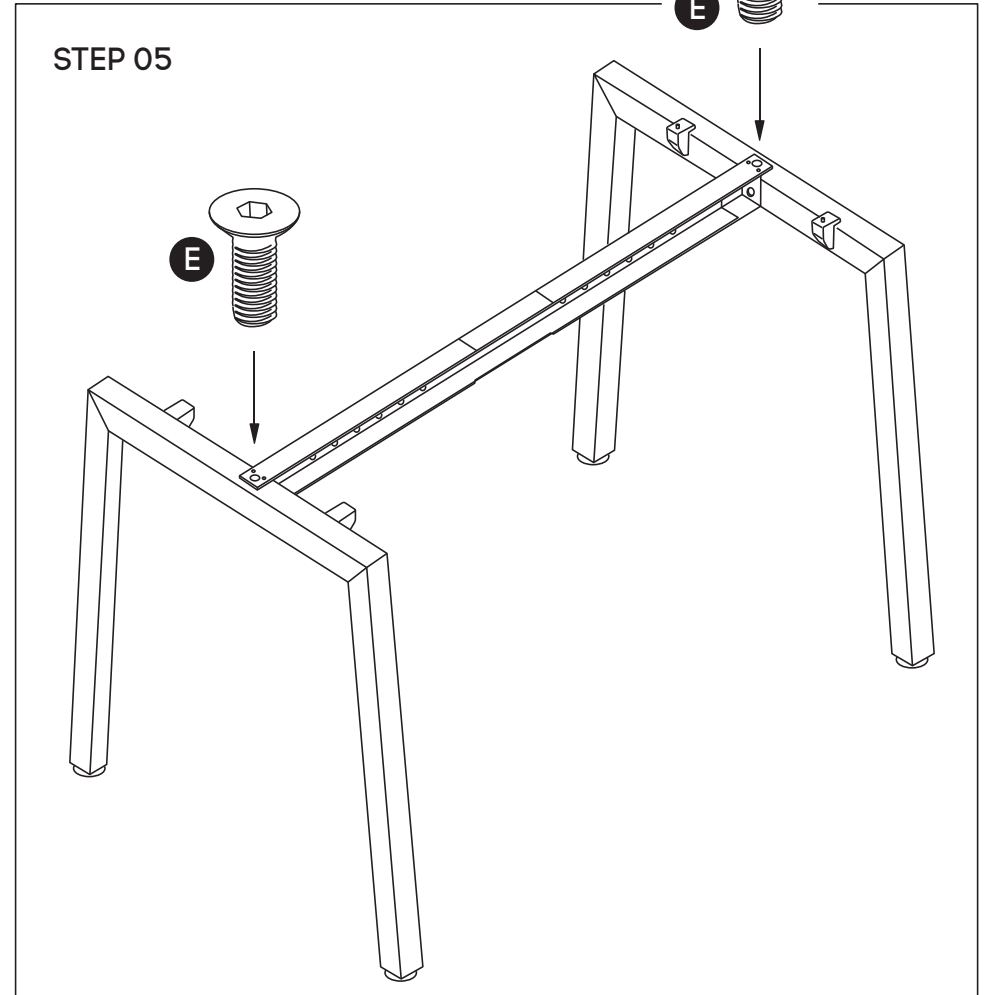
Need help!

Call us on **1300 527 665**

Horizon Quadro A Desk



Attach beam **(C)** to legs **(B)** using nut insert in legs.
See point attached



Frame looks like this. Using Allen Key, attach beam **(C)** with Socket **(E)**

Horizon Quadro Square Desk

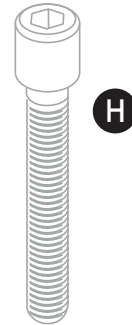
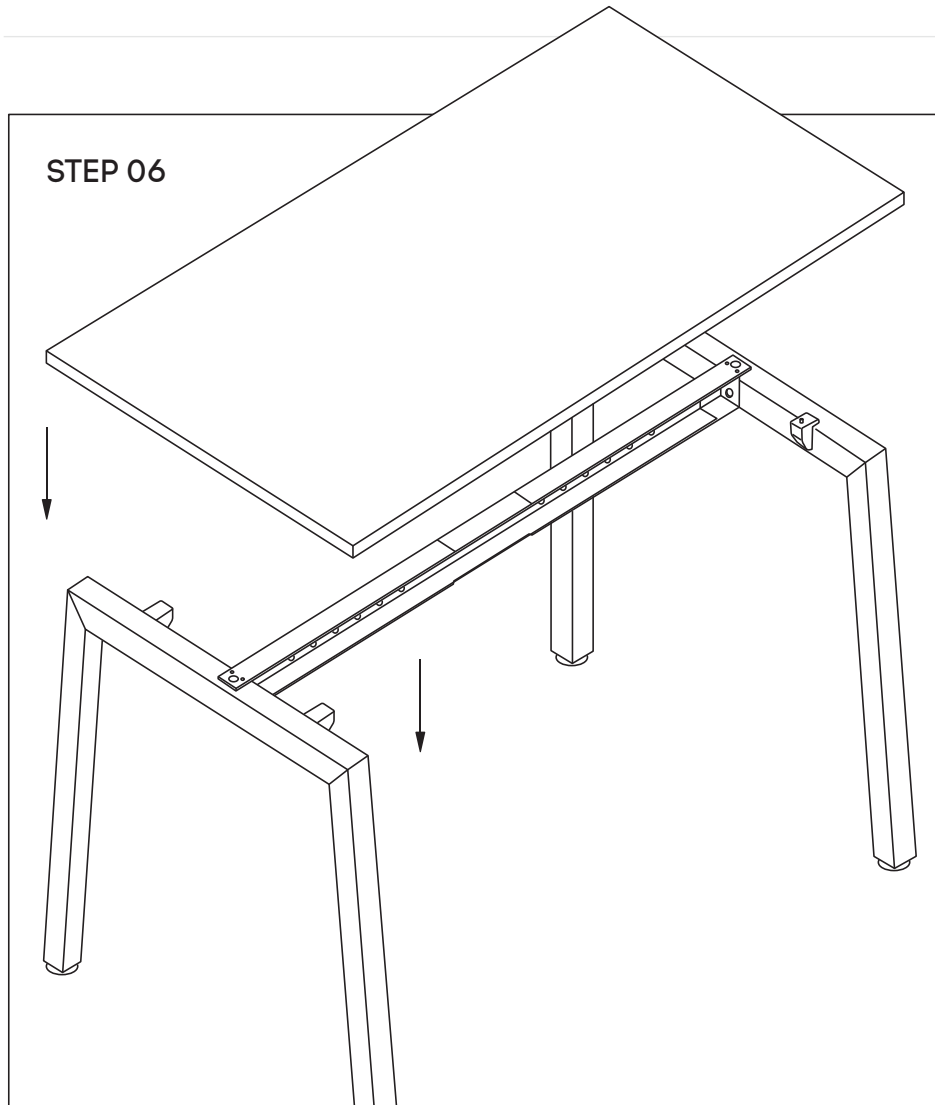


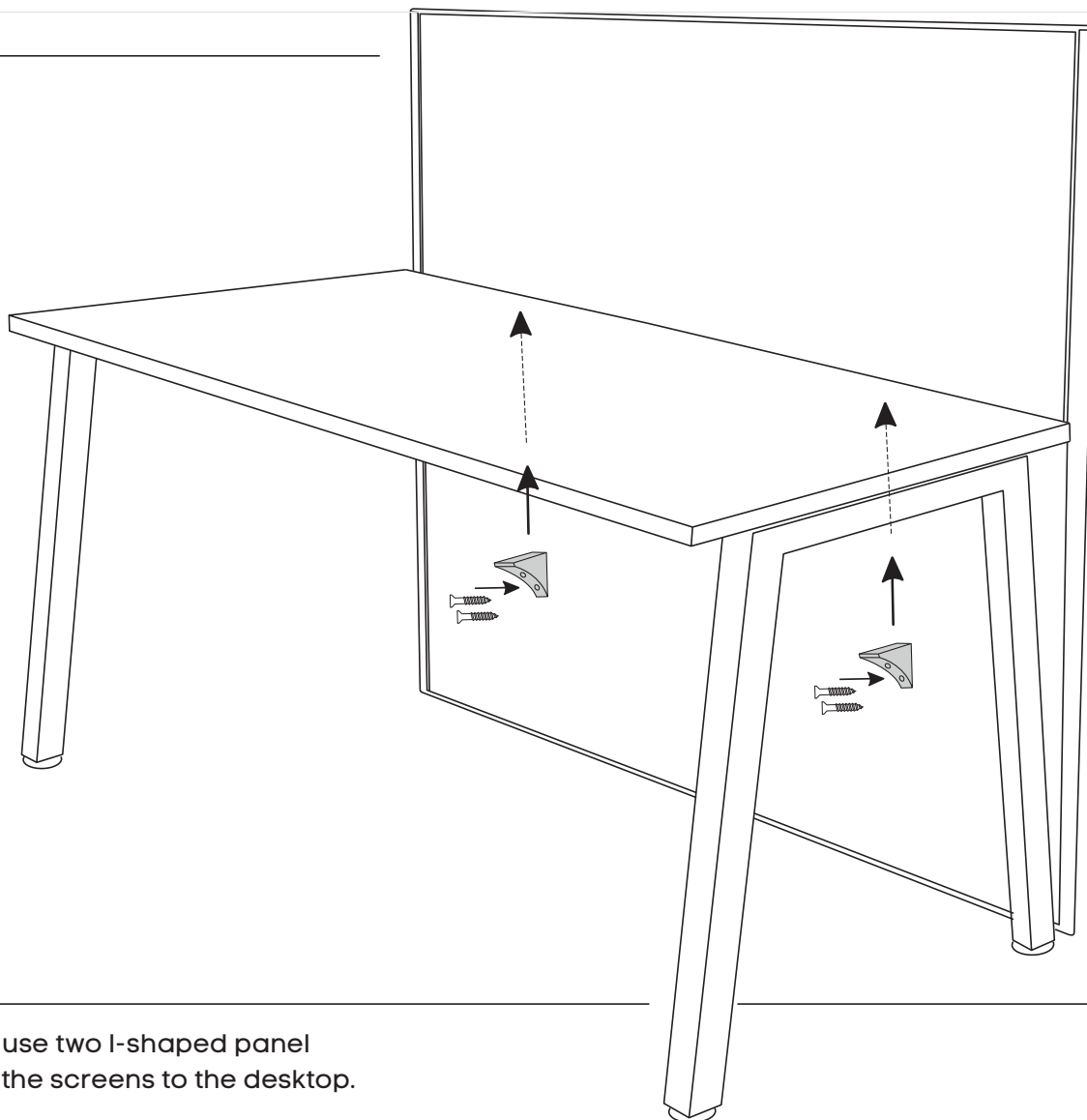
TABLE TOP
BOTTOM VIEW



Place desktop on top of frame. Nut inserts in top will align with plastic joiner brackets using M6x30MM **(H)** sockets attach top to frame.

Horizon Quadro A Desk

STEP 07



Under the desktop, use two I-shaped panel brackets to secure the screens to the desktop.

Need help!

Call us on **1300 527 665**